



US00D931070S

(12) **United States Design Patent**
Deng et al.

(10) **Patent No.:** **US D931,070 S**

(45) **Date of Patent:** **** Sep. 21, 2021**

(54) **HEAT GUN**

(71) Applicant: **Aukey Technology Co., Ltd**, Shenzhen (CN)

(72) Inventors: **Wangqiang Deng**, Shenzhen (CN);
Huiyue Ze, Shenzhen (CN)

(73) Assignee: **AUKEY TECHNOLOGY CO., LTD**, Shenzhen (CN)

(**) Term: **15 Years**

(21) Appl. No.: **29/719,855**

(22) Filed: **Jan. 8, 2020**

(30) **Foreign Application Priority Data**

Sep. 27, 2019 (EM) 006939633

(51) **LOC (13) Cl.** **08-05**

(52) **U.S. Cl.**
USPC **D8/29.1**

(58) **Field of Classification Search**
USPC D8/29.1-29.2, 30, 61, 67-68; D28/13;
D15/144; D23/225, 231, 232
CPC A45D 20/08; A45D 20/10; F24H 3/00;
F24H 3/0423; F16M 13/00; F04B 53/00;
F04B 35/06; F04B 33/005; F04B 17/06;
F04D 25/0673

See application file for complete search history.

(56) **References Cited**

U.S. PATENT DOCUMENTS

D481,277 S * 10/2003 Waldron D8/29.1
D516,883 S * 3/2006 Popov D8/29.1
D639,129 S * 6/2011 Van Wambeke D8/29.1
D641,220 S * 7/2011 Shi D8/29.1
D679,561 S * 4/2013 Price D8/29.1
D742,708 S * 11/2015 Howell D8/29.1
D779,903 S * 2/2017 Koeniger D8/68
D803,649 S * 11/2017 van der Rest D8/68
D829,519 S * 10/2018 Teraoka D8/29.1

D839,069 S * 1/2019 Koeniger D8/68
D846,963 S * 4/2019 van der Rest D8/68
D868,554 S * 12/2019 Shimazu D8/29.1
D871,871 S * 1/2020 Yang D8/29.1
D882,365 S * 4/2020 Xu D8/68
D913,064 S * 3/2021 Kachar D8/29.1
2011/0239483 A1 * 10/2011 Rotondi F24H 9/0063
34/487

OTHER PUBLICATIONS

TECCPO, 1500W Professional Electric Hot Air Gun Variable Temperature Control, (first available 003/04/2019), Amazon.com website, URL:<<https://www.amazon.com/Professional-Electric-Temperatures-122%E2%84%89-1112%E2%84%89-Attachments/dp/B08ZXMJ5GY>> (Year: 2019).*

* cited by examiner

Primary Examiner — Calvin E Vansant

Assistant Examiner — Mark T. Philipps

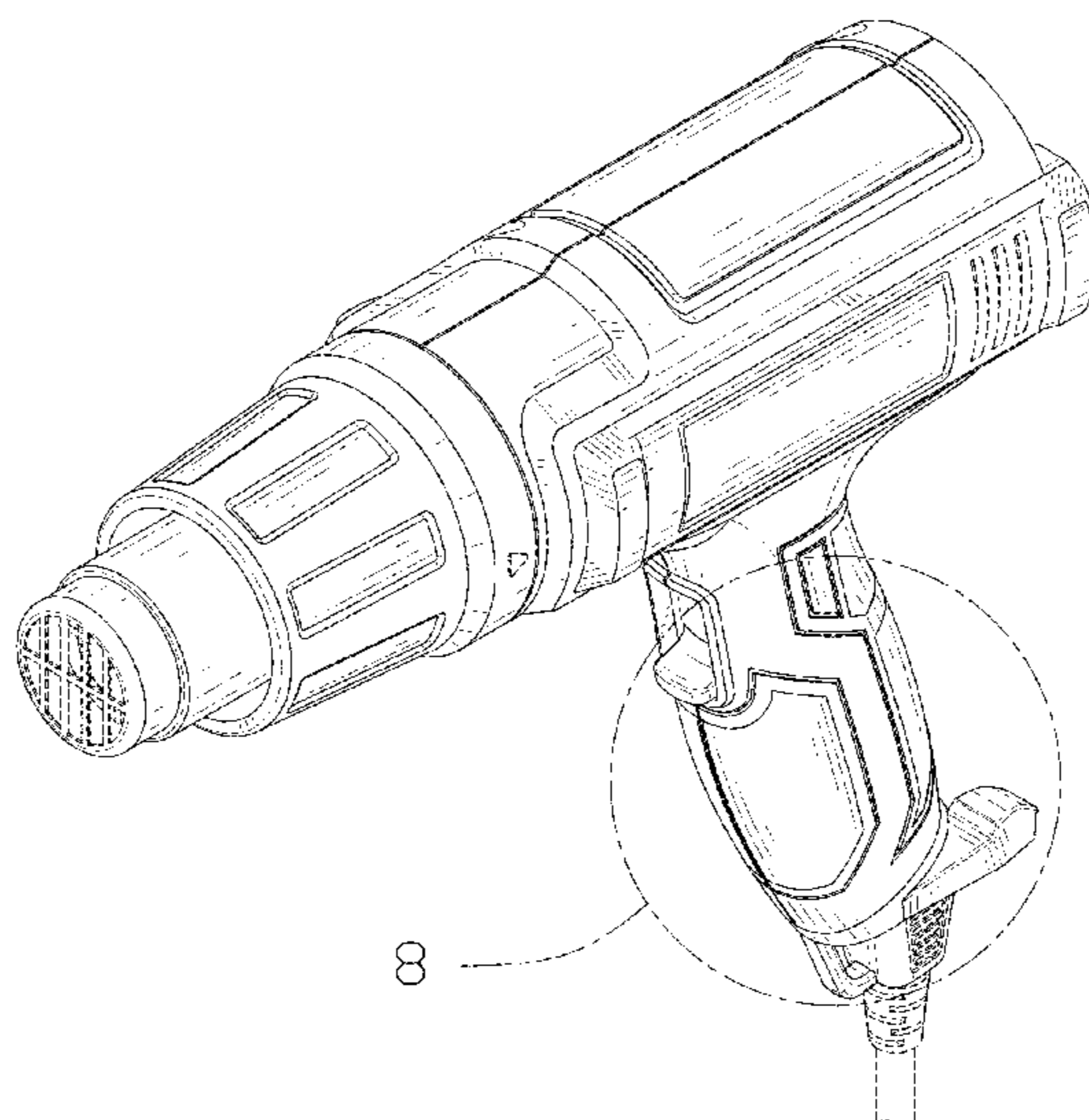
(57) **CLAIM**

The ornamental design for a heat gun, as shown and described.

DESCRIPTION

FIG. 1 is a front, right, and top perspective view of a heat gun showing our new design;
FIG. 2 is a front elevational view thereof;
FIG. 3 is a rear elevational view thereof;
FIG. 4 is a left side view thereof;
FIG. 5 is a right side view thereof;
FIG. 6 is a top plan view thereof;
FIG. 7 is a bottom plan view thereof; and,
FIG. 8 is an enlarged view of the portion 8 in FIG. 1.
The broken lines in the drawings illustrate the portions of the heat gun which form no part of the claimed design.
The long dash short dash broken lines define the boundary of the enlargement area on FIG. 8 taken from FIG. 1 and form no part of the claimed design.

1 Claim, 8 Drawing Sheets



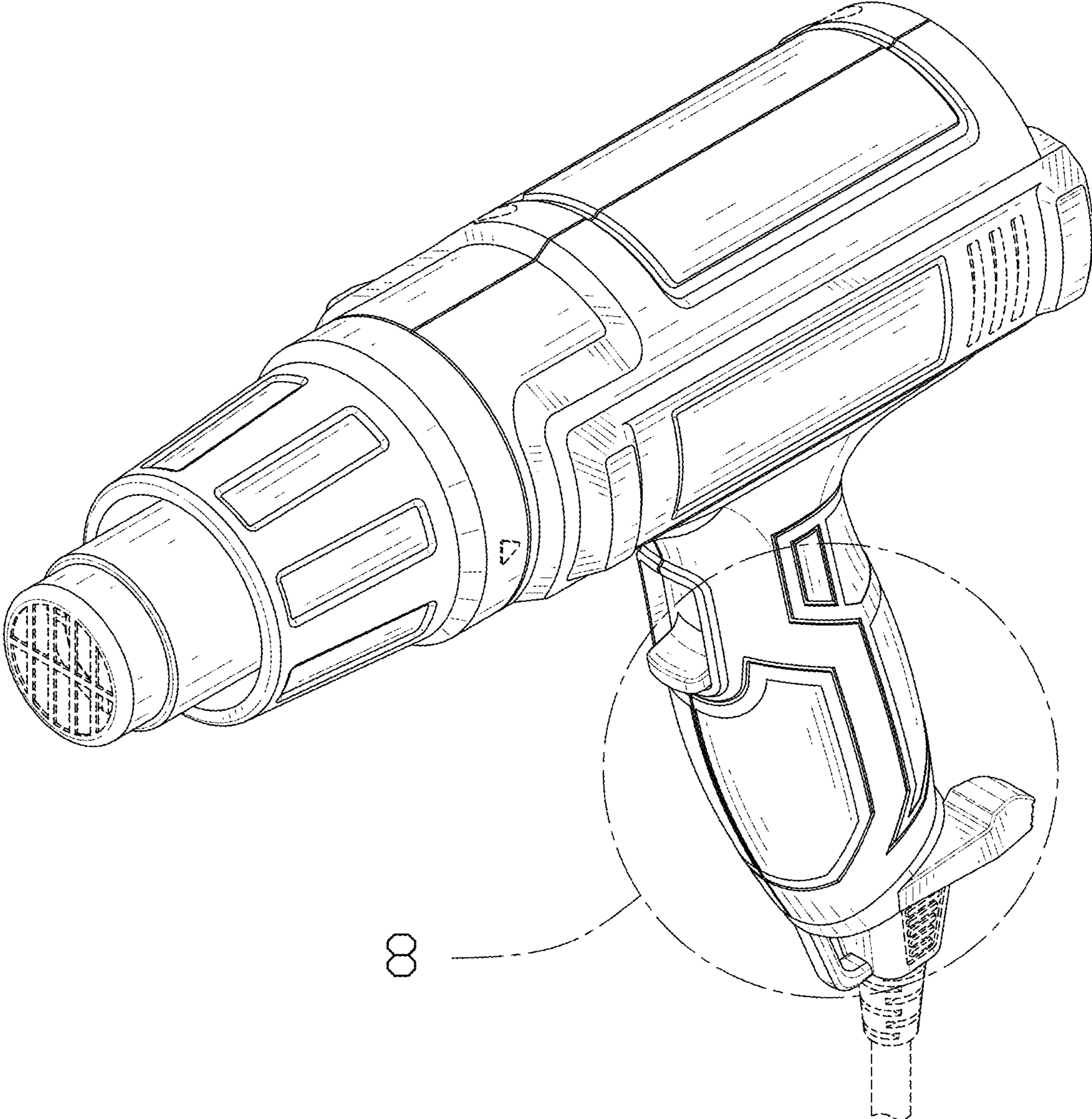


FIG. 1

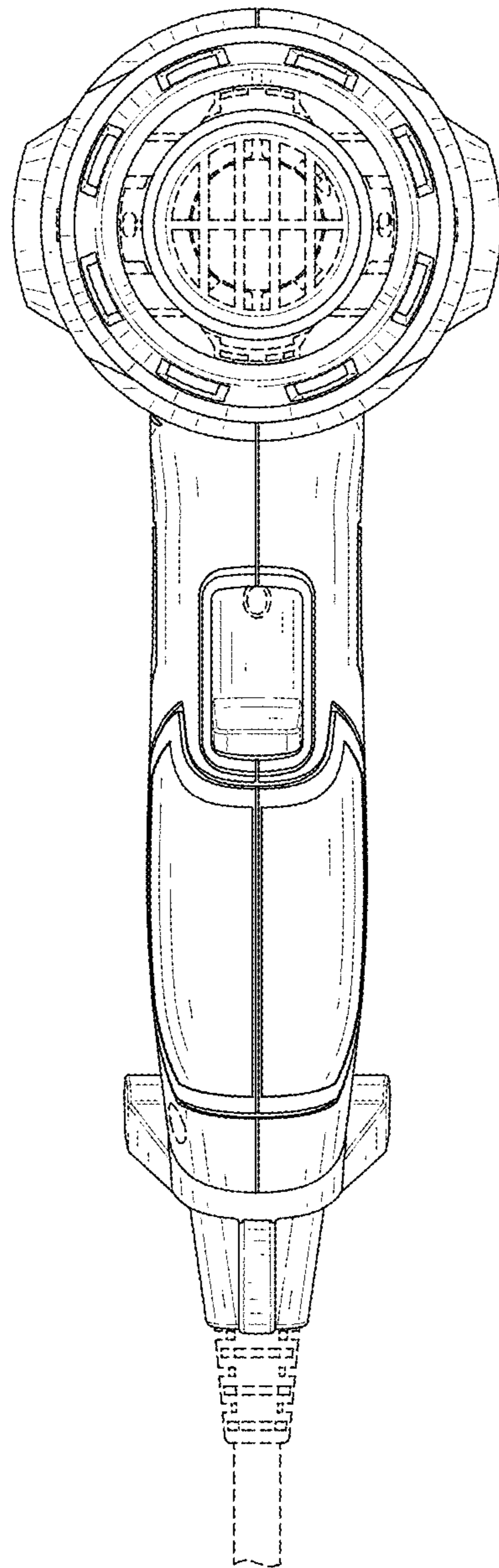


FIG. 2

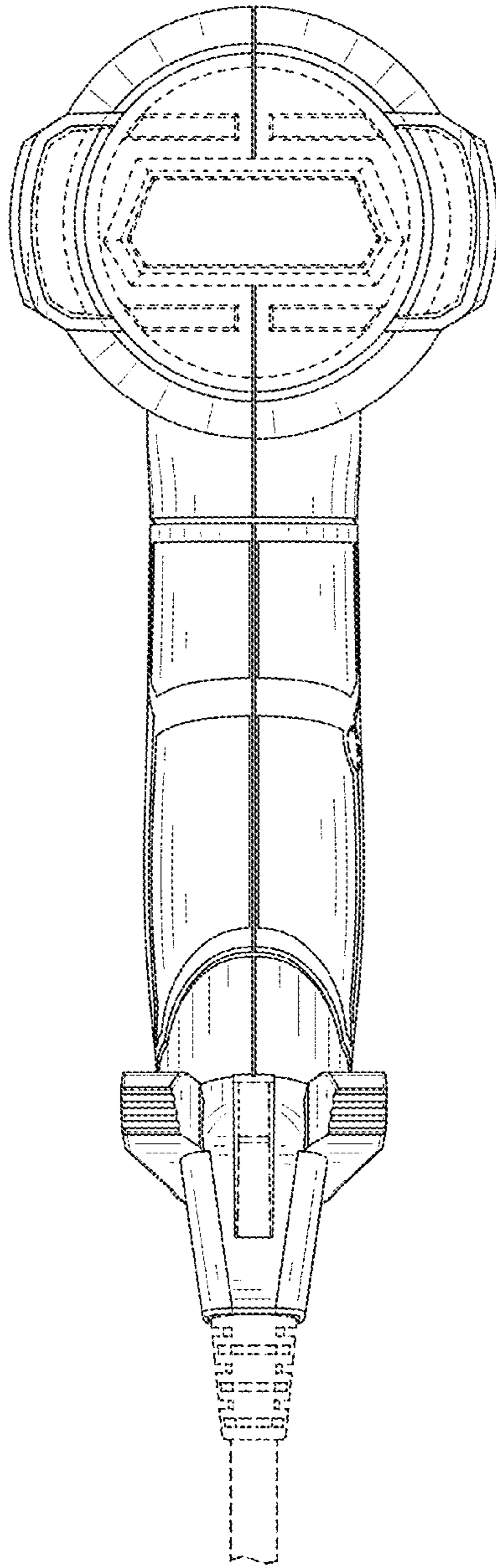


FIG. 3

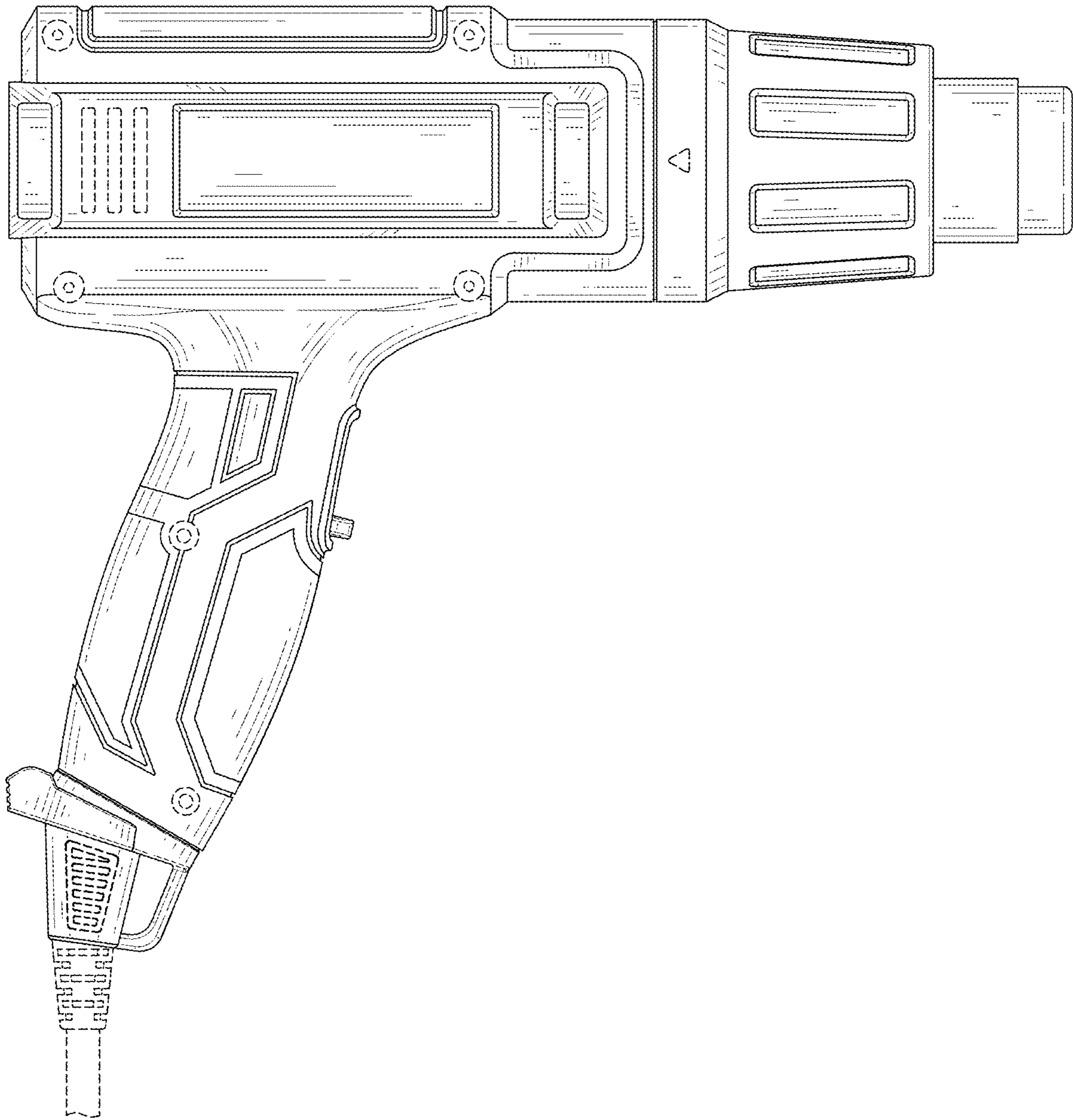


FIG. 4

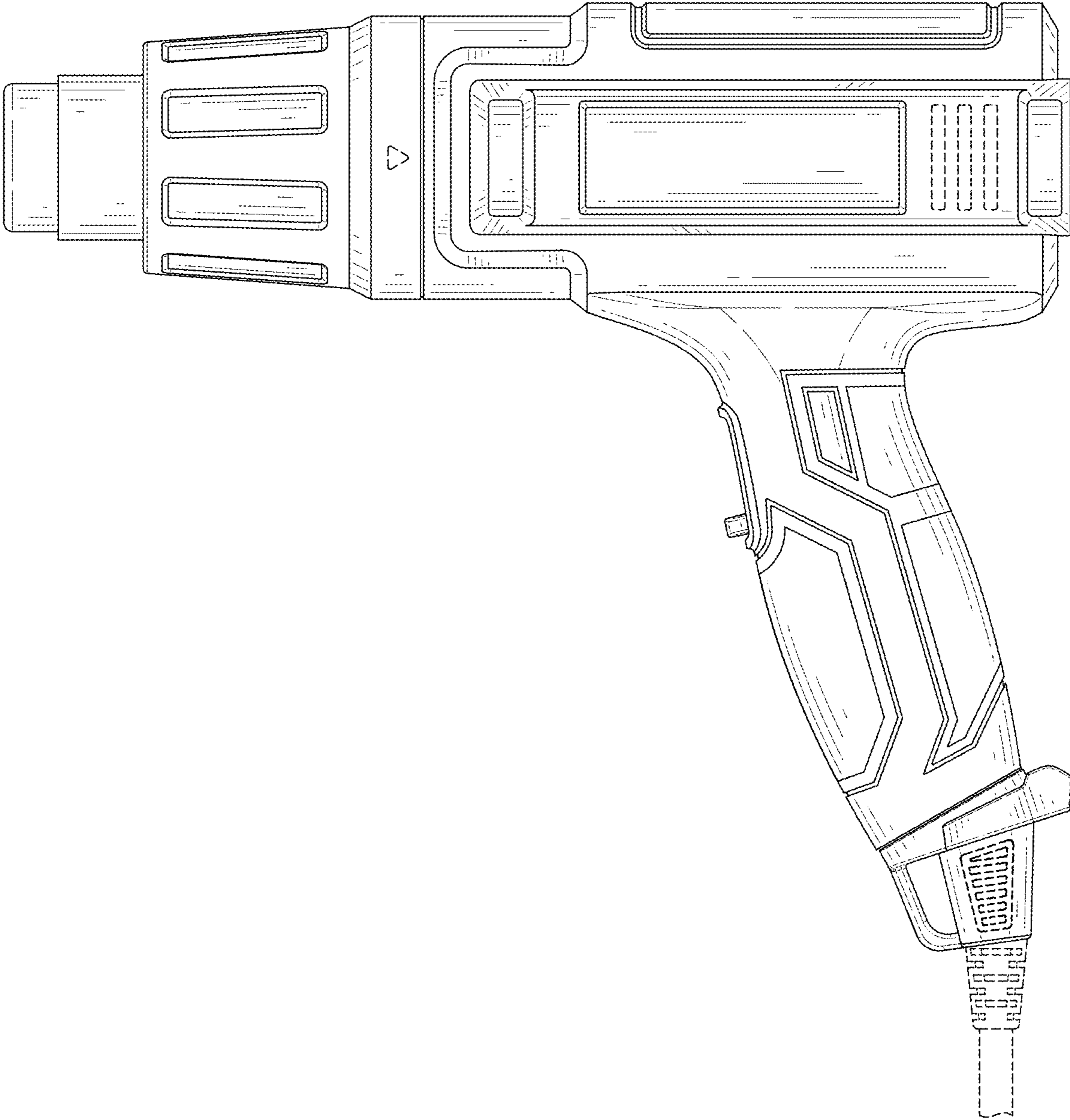


FIG. 5

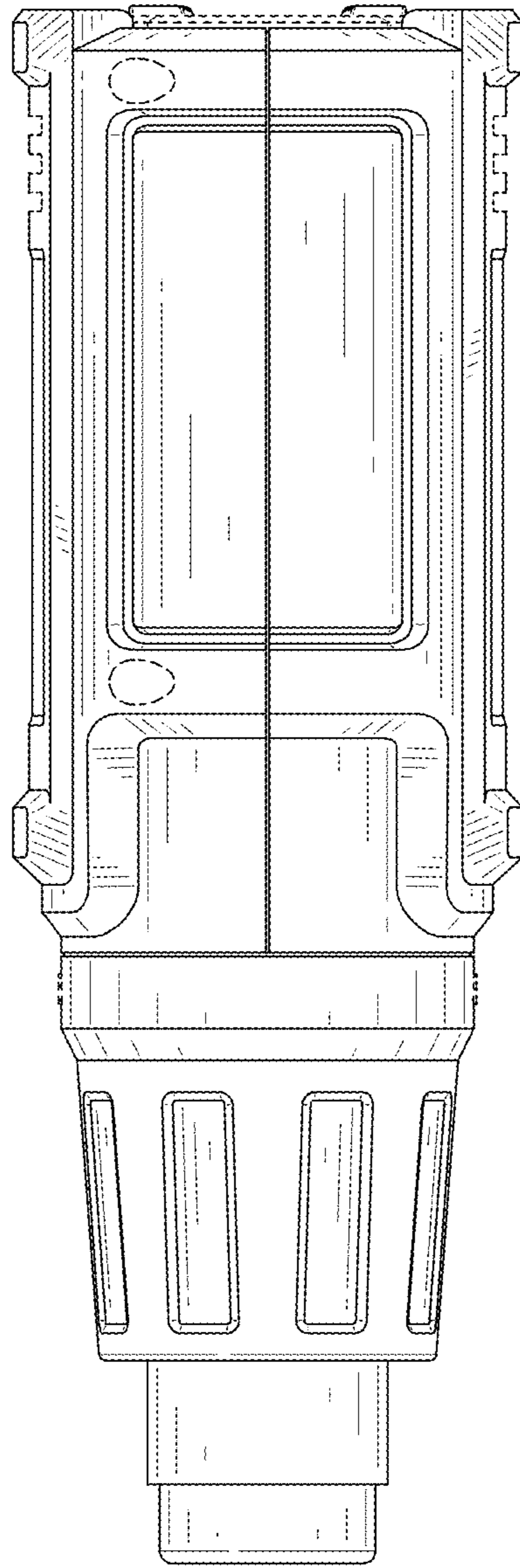


FIG. 6

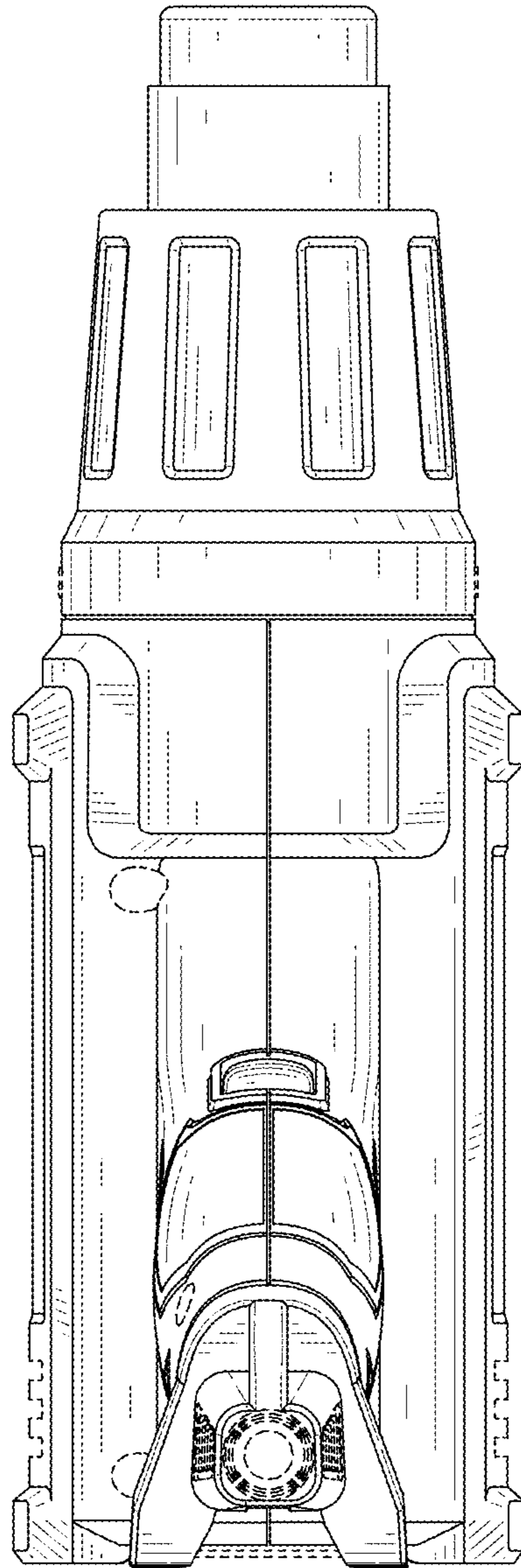


FIG. 7

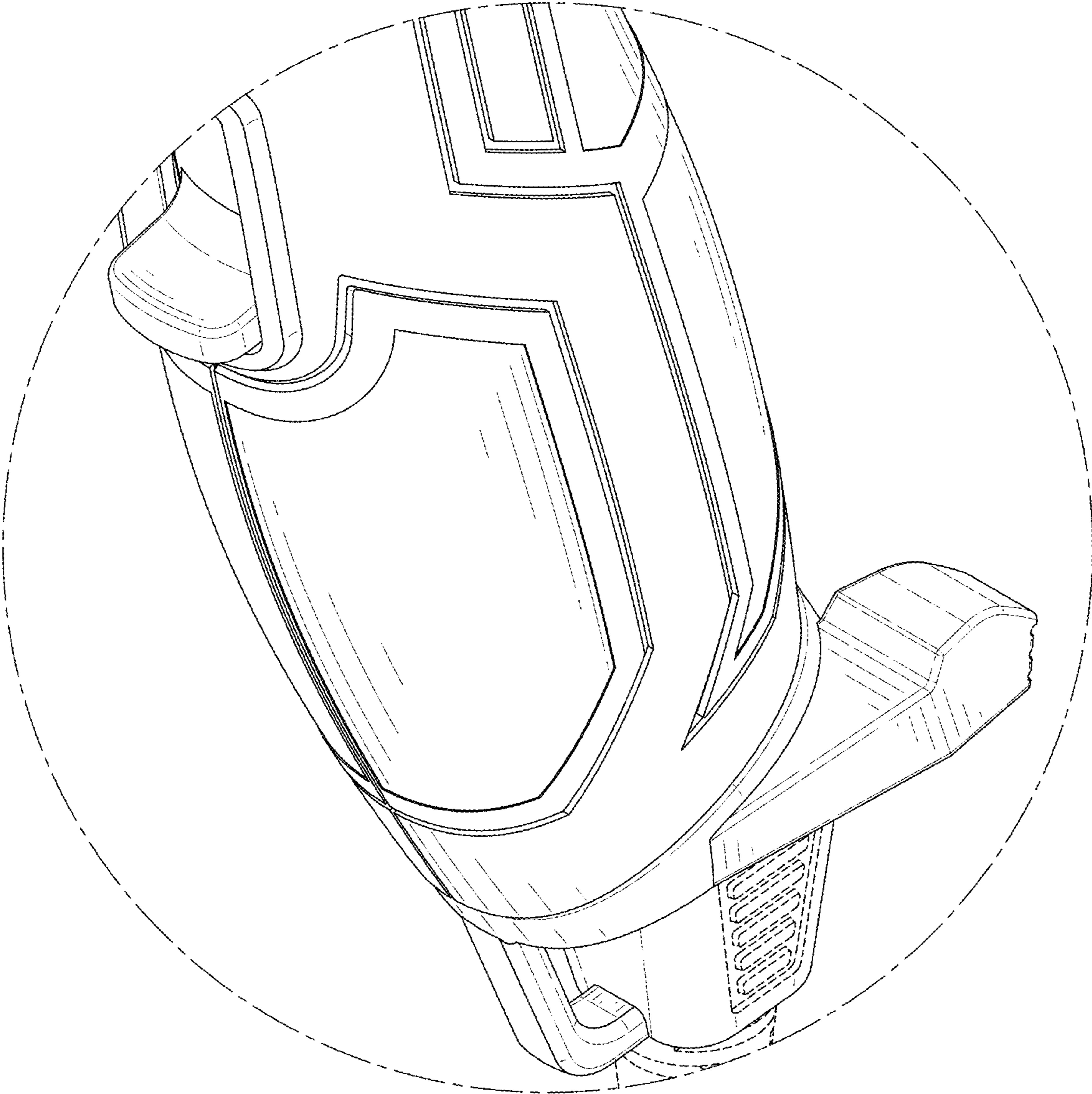


FIG. 8