



US00D931069S

(12) **United States Design Patent**  
**Dahill**

(10) **Patent No.:** **US D931,069 S**  
(45) **Date of Patent:** **\*\* Sep. 21, 2021**

(54) **BLADE**  
(71) Applicant: **TTI (MACAO COMMERCIAL OFFSHORE) LIMITED**, Macau (MO)  
(72) Inventor: **Drew A. Dahill**, Pendleton, SC (US)  
(73) Assignee: **TTI (MACAO COMMERCIAL OFFSHORE) LIMITED**, Macau (MO)  
(\*\*) Term: **15 Years**

4,920,702 A 5/1990 Kloss et al.  
4,980,976 A 1/1991 Junginger et al.  
5,002,555 A 3/1991 Petersen  
5,038,478 A 8/1991 Mezger et al.  
5,122,142 A 6/1992 Pascaloff  
5,178,626 A 1/1993 Pappas  
D337,160 S 7/1993 Evans  
5,263,972 A 11/1993 Evans et al.  
5,265,343 A 11/1993 Pascaloff  
D343,247 S 1/1994 Walen  
5,303,688 A 4/1994 Chiuminatta et al.  
5,306,285 A 4/1994 Miller et al.  
D351,907 S 10/1994 Matthai et al.

(Continued)

(21) Appl. No.: **29/690,040**

(22) Filed: **May 3, 2019**

(51) **LOC (13) Cl.** ..... **08-03**

(52) **U.S. Cl.**  
USPC ..... **D8/20**

(58) **Field of Classification Search**  
USPC ..... D8/20, 70, 95-101; D7/649, 650;  
D15/17, 139; D22/117, 118  
CPC ..... B23D 49/006; B23D 49/10; B23D 49/11;  
B23D 49/14; B23D 61/121; B23D  
61/123; B23D 61/126; B23D 61/128;  
B26B 1/02; B26B 1/048; B26B 3/08;  
A61B 17/3213

See application file for complete search history.

(56) **References Cited**

**U.S. PATENT DOCUMENTS**

3,554,197 A 1/1971 Dobbie  
3,905,374 A 9/1975 Winter  
3,943,934 A 3/1976 Bent  
4,106,181 A 8/1978 Mattchen  
4,386,609 A 6/1983 Mongeon  
4,461,296 A 7/1984 Hodge  
4,513,742 A 4/1985 Arnegger  
4,584,999 A 4/1986 Arnegger  
4,617,930 A 10/1986 Saunders  
4,637,170 A 1/1987 Block  
4,637,391 A 1/1987 Schlein  
4,872,452 A 10/1989 Alexson

**FOREIGN PATENT DOCUMENTS**

AU 2011201633 A1 11/2011  
AU 2013205490 A1 5/2013

(Continued)

**OTHER PUBLICATIONS**

Omega Surgical Instruments Inc, Catalogue, 2010, 128 pages.

(Continued)

*Primary Examiner* — Elizabeth A. Albert  
(74) *Attorney, Agent, or Firm* — Michael Best & Friedrich LLP

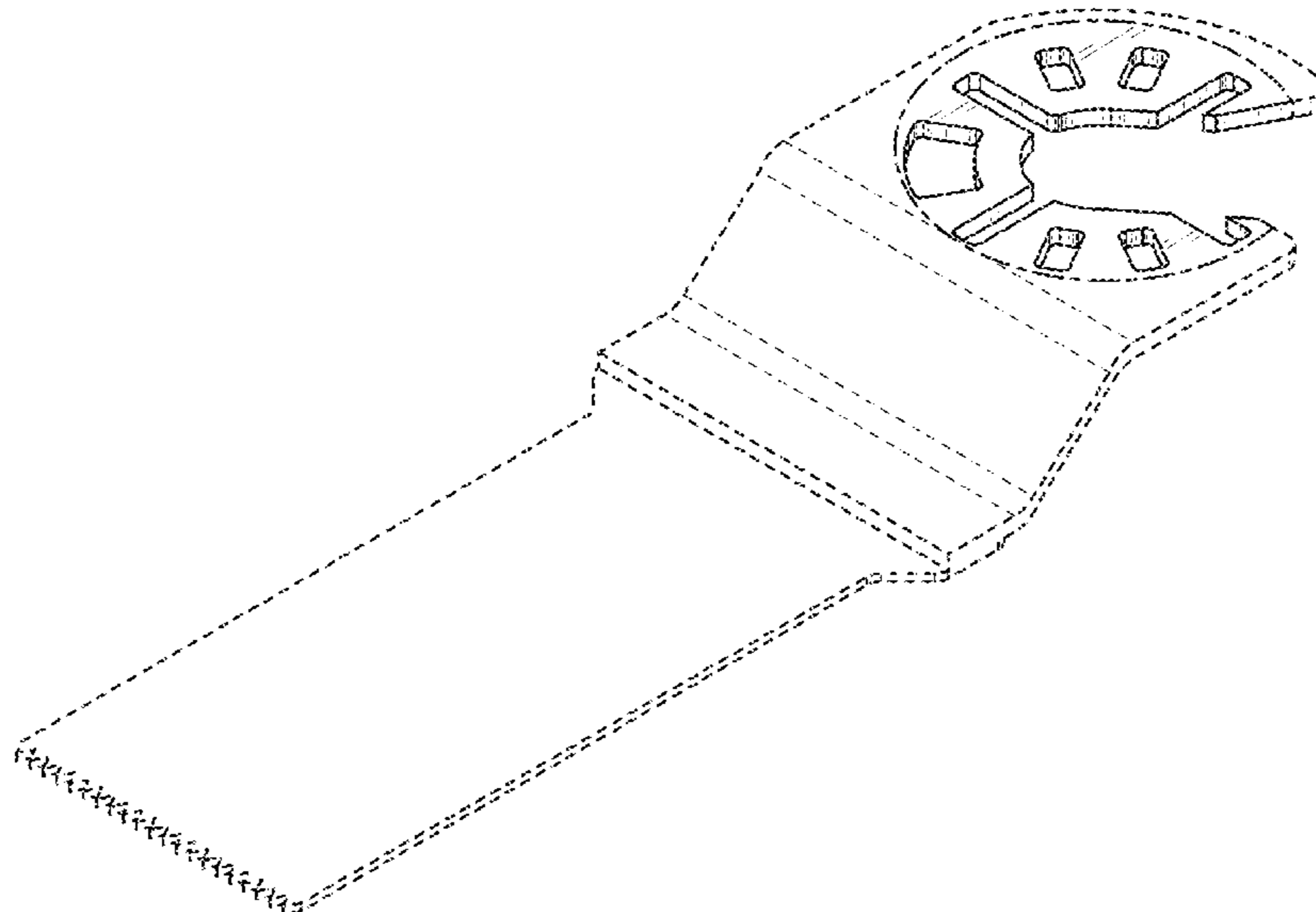
(57) **CLAIM**

I claim the ornamental design for a blade, as shown and described.

**DESCRIPTION**

FIG. 1 is a perspective view of a blade; and, FIG. 2 is a top view of the blade of FIG. 1. The uneven broken lines represent boundaries of the design and form no part of the claimed design. The even broken lines represent portions of the article that form no part of the claimed design.

**1 Claim, 2 Drawing Sheets**



(56)

References Cited

U.S. PATENT DOCUMENTS

5,366,312 A 11/1994 Raines  
 5,382,249 A 1/1995 Fletcher  
 5,423,845 A 6/1995 McDaniel  
 D362,065 S 9/1995 Goris  
 5,477,845 A 12/1995 Zuzelo  
 5,489,285 A 2/1996 Goris  
 5,496,316 A 3/1996 Goris  
 5,507,763 A 4/1996 Petersen et al.  
 5,584,753 A 12/1996 Takahashi  
 5,694,643 A 12/1997 Fujiwara  
 5,694,693 A 12/1997 Hutchins et al.  
 5,735,866 A \* 4/1998 Adams ..... B23D 61/006  
 30/339  
 D394,315 S 5/1998 Fisher  
 D406,223 S \* 3/1999 Tran ..... D8/70  
 D424,076 S 5/2000 Dibbern et al.  
 6,113,618 A 9/2000 Nic  
 6,116,996 A 9/2000 Yanase  
 D459,805 S \* 7/2002 Pascaloff ..... D24/146  
 D467,485 S 12/2002 Daniels et al.  
 D489,823 S 5/2004 Fisher et al.  
 6,743,086 B2 6/2004 Nelson et al.  
 6,796,888 B2 9/2004 Jasch  
 6,802,764 B2 10/2004 Besch  
 6,865,813 B2 3/2005 Pollak  
 6,929,538 B2 8/2005 Yi  
 6,945,862 B2 9/2005 Jasch et al.  
 7,189,239 B2 3/2007 Fisher et al.  
 7,217,177 B2 5/2007 Frech et al.  
 7,695,352 B2 4/2010 Schumacher  
 D619,152 S 7/2010 Evatt et al.  
 7,901,424 B2 3/2011 Fletcher et al.  
 D651,499 S 1/2012 Tong  
 8,151,679 B2 4/2012 Bohne  
 D682,652 S 5/2013 McRoberts et al.  
 8,499,674 B2 8/2013 Holba et al.  
 D693,193 S \* 11/2013 Bozic ..... D8/20  
 D694,076 S 11/2013 Davidian et al.  
 D694,596 S 12/2013 Davidian et al.  
 D694,597 S 12/2013 Davidian et al.  
 D694,598 S 12/2013 Davidian et al.  
 D694,599 S 12/2013 Davidian et al.  
 8,616,562 B2 12/2013 Maras  
 D697,384 S \* 1/2014 Wackwitz ..... D8/70  
 D706,595 S 6/2014 Kaye, Jr. et al.  
 8,852,221 B2 10/2014 Boykin et al.  
 8,915,499 B2 12/2014 Kaye, Jr. et al.  
 8,920,424 B2 12/2014 Boykin  
 8,925,931 B2 1/2015 Sergyeyenko et al.  
 8,950,756 B2 2/2015 Lu et al.  
 D724,923 S 3/2015 McRoberts et al.  
 9,067,293 B2 6/2015 Bernardi et al.  
 9,073,195 B2 7/2015 Kaye, Jr. et al.  
 9,120,216 B2 9/2015 Zhang et al.  
 D741,135 S 10/2015 Yang et al.  
 D741,136 S 10/2015 Yang et al.  
 D741,137 S 10/2015 Yang et al.  
 9,186,770 B2 11/2015 Montplaisir et al.  
 9,242,361 B2 1/2016 Kaye, Jr. et al.  
 D750,461 S 3/2016 McRoberts et al.  
 9,414,845 B2 8/2016 Boykin  
 9,539,647 B2 1/2017 Sergyeyenko  
 9,737,969 B2 8/2017 Bek et al.  
 9,815,187 B2 \* 11/2017 Kozak ..... A61B 17/142  
 D817,127 S \* 5/2018 Gopi ..... D8/20  
 10,016,904 B2 7/2018 Jones  
 10,040,186 B2 8/2018 Kaye, Jr. et al.  
 10,076,832 B2 9/2018 Nagy  
 D832,666 S \* 11/2018 Kaye, Jr. ..... D8/20  
 10,124,461 B2 11/2018 Kuehne et al.  
 10,207,385 B2 2/2019 Montplaisir et al.  
 10,245,716 B2 4/2019 Kaye, Jr. et al.  
 10,245,744 B2 4/2019 Morcos  
 10,265,778 B2 4/2019 Kaye, Jr. et al.  
 10,307,917 B2 \* 6/2019 Marks ..... B26B 7/00

D853,817 S 7/2019 Ji  
 D856,766 S \* 8/2019 Kaye, Jr. .... D8/20  
 D862,185 S \* 10/2019 Dai ..... D8/20  
 10,427,230 B2 \* 10/2019 Bernardi ..... B24B 23/04  
 D871,185 S \* 12/2019 Kaye, Jr. .... D8/70  
 D873,099 S \* 1/2020 Kaye, Jr. .... D8/20  
 D884,444 S \* 5/2020 Kaye, Jr. .... D8/20  
 2003/0176225 A1 9/2003 Besch et al.  
 2004/0098000 A1 \* 5/2004 Kleinwaechter ..... B23D 61/006  
 D24/146  
 2004/0138668 A1 7/2004 Fisher et al.  
 2005/0153640 A1 7/2005 Stein et al.  
 2006/0123959 A1 6/2006 Bocast  
 2006/0288837 A1 12/2006 Utz et al.  
 2009/0022562 A1 1/2009 Chin  
 2009/0312762 A1 12/2009 Boykin  
 2010/0052269 A1 3/2010 Zaiser et al.  
 2010/0056029 A1 3/2010 Grunikiewicz  
 2011/0227300 A1 9/2011 Zhang et al.  
 2011/0266758 A1 11/2011 Sergyeyenko et al.  
 2011/0266759 A1 11/2011 Goldman  
 2011/0291368 A1 12/2011 Chen et al.  
 2011/0309589 A1 \* 12/2011 Maras ..... B25F 3/00  
 279/143  
 2011/0316241 A1 12/2011 Zhang et al.  
 2011/0316242 A1 12/2011 Zhang et al.  
 2012/0066919 A1 3/2012 Holba et al.  
 2012/0169018 A1 7/2012 Lu et al.  
 2012/0170976 A1 7/2012 Cai  
 2012/0211951 A1 8/2012 Montplaisir et al.  
 2013/0082449 A1 4/2013 Bernardi et al.  
 2013/0193655 A1 8/2013 Kaye, Jr. et al.  
 2013/0341876 A1 12/2013 Sergyeyenko  
 2014/0015207 A1 1/2014 Kaye, Jr. et al.  
 2014/0017000 A1 1/2014 Kaye, Jr. et al.  
 2014/0035242 A1 2/2014 Kaye, Jr. et al.  
 2014/0071746 A1 3/2014 Jurasek et al.  
 2014/0252729 A1 9/2014 Xu  
 2014/0299345 A1 10/2014 McRoberts et al.  
 2014/0325855 A1 \* 11/2014 Bozic ..... B27B 19/006  
 30/392  
 2015/0112347 A1 4/2015 Boykin  
 2016/0096261 A1 4/2016 Kaye, Jr. et al.  
 2016/0257010 A1 9/2016 Jones  
 2017/0028525 A1 2/2017 Bek et al.  
 2017/0057050 A1 3/2017 Montplaisir et al.  
 2017/0173754 A1 6/2017 Kuehne et al.  
 2017/0291238 A1 10/2017 Bernardi et al.  
 2018/0029190 A1 2/2018 Nagy  
 2018/0125503 A1 \* 5/2018 Sidebotham ..... A61B 17/1637  
 2018/0200812 A1 7/2018 Kaye, Jr. et al.  
 2018/0333834 A1 11/2018 Kaye, Jr. et al.  
 2019/0176315 A1 6/2019 Kaye, Jr. et al.  
 2019/0247933 A1 8/2019 Castro Pena  
 2019/0247969 A1 8/2019 Rubens et al.

FOREIGN PATENT DOCUMENTS

AU 2013205501 A1 5/2013  
 AU 2013100855 A4 7/2013  
 AU 2014280901 A1 1/2015  
 CA 2727400 A1 12/2009  
 CA 2736992 A1 10/2011  
 CA 2850613 A1 4/2013  
 CA 2810464 A1 5/2013  
 CN 201483468 U 5/2010  
 CN 201691995 U 1/2011  
 CN 201711949 U 1/2011  
 CN 201728642 U 2/2011  
 CN 201907110 U 7/2011  
 CN 202045628 U 11/2011  
 CN 202129785 U 2/2012  
 CN 202241199 U 5/2012  
 CN 202318259 U 7/2012  
 CN 102689292 A 9/2012  
 CN 202592349 U 12/2012  
 CN 202622741 U 12/2012  
 CN 202668513 U 1/2013  
 CN 102975178 A 3/2013

(56)

References Cited

FOREIGN PATENT DOCUMENTS

CN	103101037	A	5/2013
CN	103101038	A	5/2013
CN	103121206	U	5/2013
CN	203185304	U	9/2013
CN	103370169	A	10/2013
CN	102098970	B	3/2014
CN	203726448	U	7/2014
CN	104136168	A	11/2014
CN	104191419	A	12/2014
CN	204209649	U	3/2015
CN	204431209	U	7/2015
CN	104985571	A	10/2015
CN	105215949	A	1/2016
CN	105234903	A	1/2016
CN	105235903	A	1/2016
CN	105235904	A	1/2016
CN	105382770	A	3/2016
CN	105538240	A	5/2016
CN	205215195	U	5/2016
CN	205218195	U	5/2016
CN	205219042	U	5/2016
CN	105904414	A	8/2016
CN	205685281	U	11/2016
DE	3833735	A1	4/1989
DE	4425456	A1	3/1996
DE	4444496	A1	6/1996
DE	20012138	U1	12/2000
DE	20100311	U1	5/2001
DE	10100630	C1	6/2002
DE	20303018	U1	4/2003
DE	10307840	B3	6/2004
DE	202004007929	U1	7/2004
DE	202007003589	U1	7/2007
DE	102007036786	A1	10/2008
DE	202011052299	U1	2/2012
DE	102012201624	A1	8/2013
DE	202014102532	U1	6/2014
DE	102015119962	A1	6/2016
DE	202016102955	U1	6/2016
DE	102015114028	A1	3/2017
EP	695607	A1	2/1996
EP	1607058	A1	12/2005
EP	2382929	A1	11/2011
EP	2497616	A1	9/2012
EP	2623262	A2	8/2013
EP	2687336	A2	1/2014
EP	2695706	A2	2/2014
EP	3023185	A2	5/2016
EP	3135439	A1	3/2017
EP	3348367	A1	7/2018
FR	2968589	A3	6/2012
GB	2520580	A	5/2015
JP	2011523883	A1	8/2011
WO	2009151958	A2	12/2009

WO	2011000322	A1	1/2011
WO	2012016365	A1	2/2012
WO	2012075967	A1	6/2012
WO	2013049482	A2	4/2013
WO	2013067960	A1	5/2013
WO	2013077862	A1	5/2013
WO	2013102126	A1	7/2013
WO	2014071746	A1	5/2014
WO	2014159025	A1	10/2014
WO	2015101351	A1	7/2015
WO	2015132019	A1	9/2015
WO	2015159025	A1	10/2015
WO	2017219570	A1	12/2017

OTHER PUBLICATIONS

Dremel, "Versatile Tool Systems", 2011-2012, 9 pages.  
 Dremel, "8300", Owners Manual, 2011, 14 pages.  
 Porter Cable, "Oscillating Multi Tool" Product Information, 2012, 4 pages.  
 Bosch, "Power Tools and Accessories Catalog", 2012-2013, pp. 193-206.  
 Rockwell, "Sonicrafter RK5139K" Owners Manual, 2012, 24 pages.  
 Rockwell, "Sonicrafter Accessories", website publicly available as early as Feb. 2011, 5 pages.  
 DoCutPro, "Accessory from DoCut Tools Company", <<http://www.multitoolblades.cn/catalogue/catalogue.html>>, website publicly available as early as Jun. 21, 2012, 4 pages.  
 Fratzel, "New Rockwell Oscillating Tools Offer Universal Fit and Tool-Free Design", Toolbox Buzz, <<https://www.toolboxbuzz.com/uncategorized/new-rockwell-oscillating-tools-universal-fit-tool-free-design/>>, published online Sep. 12, 2012 (6 pages).  
 Stuart, "Rockwell Sonicrafter Hyperlock and Universal Fit Oscillating Tools", ToolGuyd, <<https://toolguyd.com/rockwell-sonicrafter-hyperlock/>>, published online Sep. 20, 2012 (11 pages).  
 Makita, Multitool, Product Information, 2012, 2 pages.  
 Fein, "Multimaster Catalog", 2011, 38 pages.  
 Fitzall Blades, "Universal Replacement Oscillating Multi Tool Blades", <<https://fitzallblades.com/>>, 2012, 5 pages.  
 My Tool Shed, "Multi-Function Tools", <<https://www.mytoolshed.co.uk/power-tools-home/multi-function-tools-engravers/multi-function-tools>>, website publicly available as early as 2012, 8 pages.  
 Amazon, "Versa Tool MBMASTER 13Pcs Blade Set for Ridgid Oscillating Tools ABMaster", <[https://www.amazon.com/Versa-MBMASTER-Ridgid-Oscillating-ABMASTER/dp/B002SHJA8Q/ref=sr\\_1\\_1?dchild=1&keywords=versa+tool+mbmaster+13pcs&qid=1602796501&sr=8-1](https://www.amazon.com/Versa-MBMASTER-Ridgid-Oscillating-ABMASTER/dp/B002SHJA8Q/ref=sr_1_1?dchild=1&keywords=versa+tool+mbmaster+13pcs&qid=1602796501&sr=8-1)>, website publicly available at least as early as 2009, 4 pages.  
 Amazon, "Rockwell RW8935 1-3/8-Inch Sonicrafter Oscillating Multitool Precision Wood End Cut Saw Blade with Universal Fit System", website publicly available at least as early as Aug. 2012, 7 pages.

\* cited by examiner

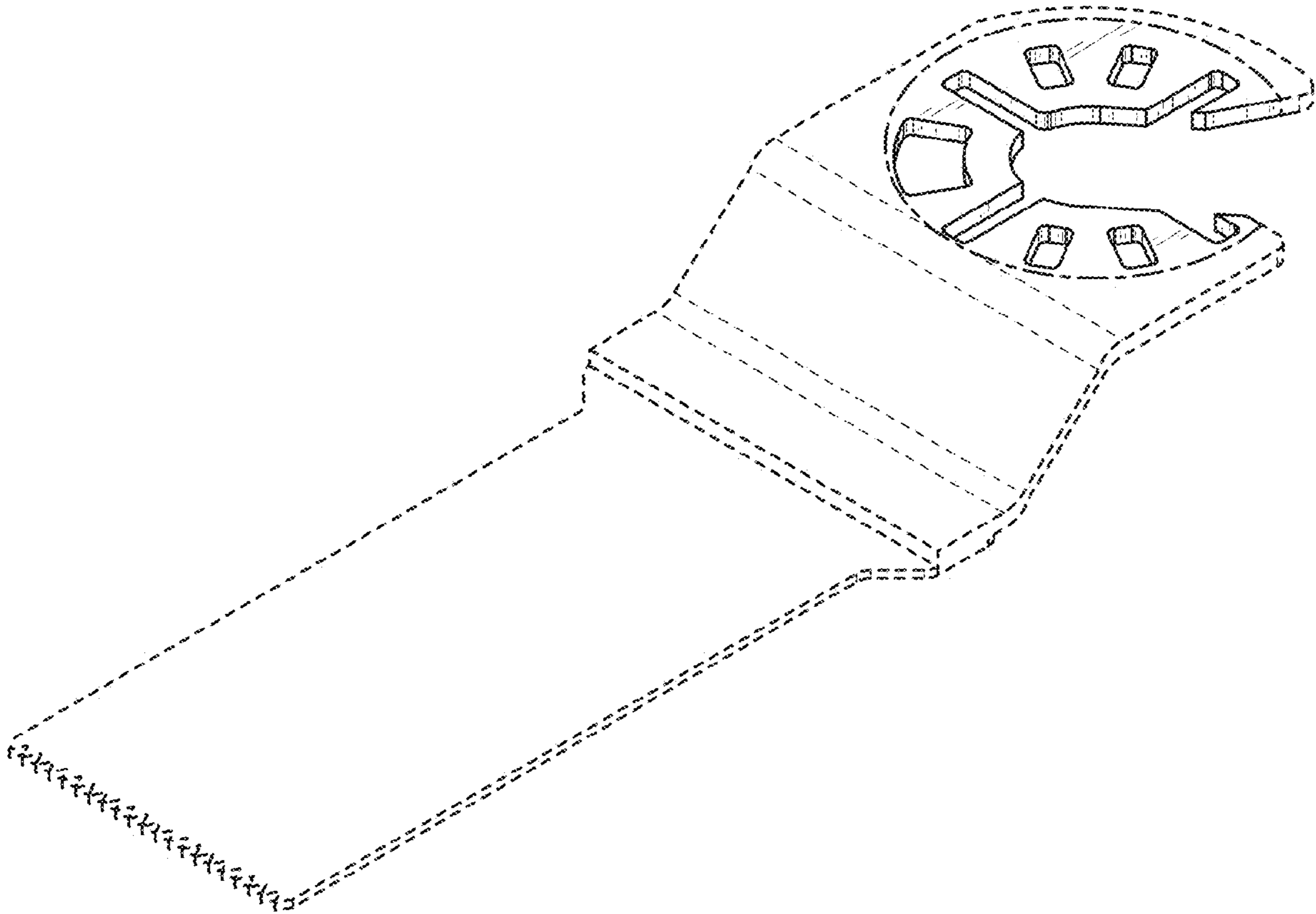


FIG. 1

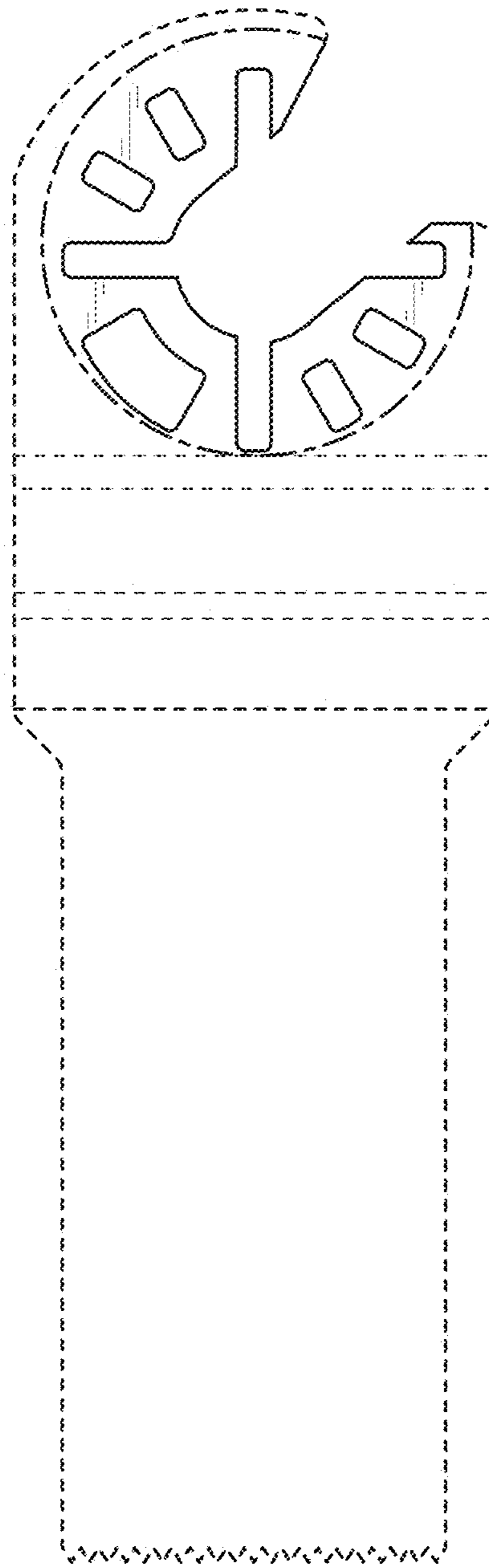


FIG. 2