



US00D931067S

(12) **United States Design Patent**
McNaughton

(10) **Patent No.:** **US D931,067 S**

(45) **Date of Patent:** **** Sep. 21, 2021**

- (54) **DOMED HARMONIC PROP PULLER**
- (71) Applicant: **Patrick J. McNaughton**, Plymouth, MN (US)
- (72) Inventor: **Patrick J. McNaughton**, Plymouth, MN (US)
- (73) Assignee: **MCNAUGHTON INC.**, Plymouth, MN (US)
- (**) Term: **15 Years**
- (21) Appl. No.: **29/718,875**
- (22) Filed: **Dec. 30, 2019**
- (51) **LOC (13) Cl.** **08-05**
- (52) **U.S. Cl.**
USPC **D8/14**
- (58) **Field of Classification Search**
USPC D8/14, 47, 75, 107, 310, 375; D23/117;
D24/133
CPC B25B 27/02; B25B 27/023; B25D 1/00;
Y10T 29/53839
See application file for complete search history.

| | | | | | | |
|--------------|------|---------|----------|-------|--------------|---------|
| 5,025,867 | A * | 6/1991 | Muller | | B25B 27/02 | 173/128 |
| 5,718,985 | A * | 2/1998 | Bunyea | | B25F 5/02 | 429/97 |
| D418,811 | S * | 1/2000 | Bunyea | | D13/119 | |
| 6,185,817 | B1 * | 2/2001 | Sims | | B25B 27/023 | 29/256 |
| D443,813 | S * | 6/2001 | Harwanko | | D8/376 | |
| D553,965 | S * | 10/2007 | Ellbogen | | D8/378 | |
| D573,438 | S * | 7/2008 | Ricereto | | D8/310 | |
| D603,502 | S * | 11/2009 | Petersen | | D24/133 | |
| 7,752,944 | B2 * | 7/2010 | Wallek | | B25B 27/02 | 81/27 |
| D624,232 | S * | 9/2010 | Summers | | F21V 33/0064 | D26/113 |
| D748,309 | S * | 1/2016 | Cheng | | D26/38 | |
| D767,355 | S * | 9/2016 | Scott | | D8/51 | |
| D815,278 | S * | 4/2018 | Pak | | D24/130 | |
| 2005/0044680 | A1 * | 3/2005 | Terrill | | B25B 27/023 | 29/259 |

* cited by examiner

Primary Examiner — Philip S Hyder

(57) **CLAIM**

The ornamental design for a domed harmonic prop puller is substantially, as shown and described.

DESCRIPTION

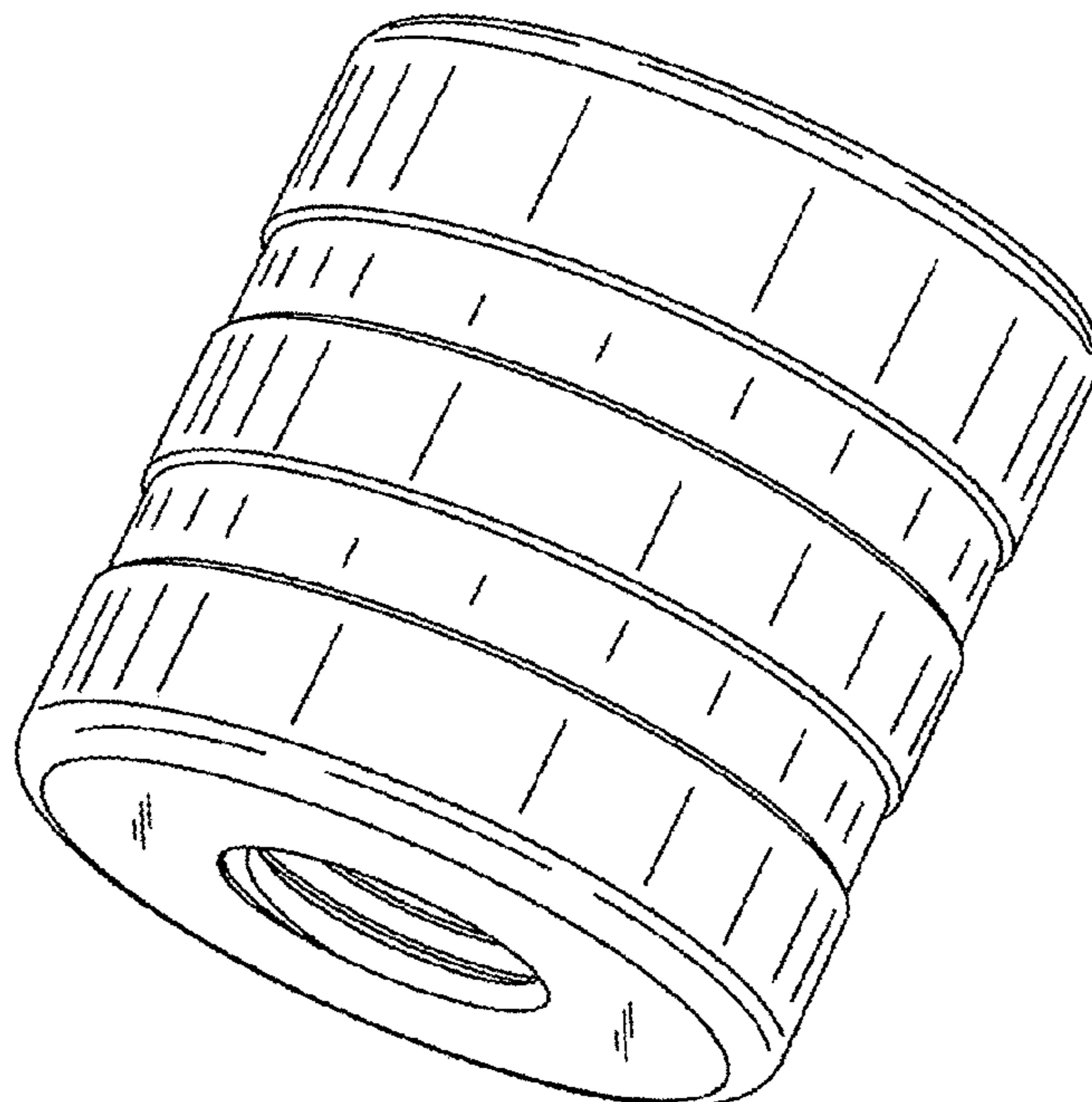
FIG. 1 is a perspective view from front and right bottom of domed harmonic prop puller showing my new design; FIG. 2 is a top view thereof; FIG. 3 is a bottom view thereof; FIG. 4 is a right side elevation view, the left side is a mirror image thereof; FIG. 5 is a front elevation view, the back view is mirror image thereof; and, FIG. 6 is a Section view of FIG. 5 taken at line "A".

1 Claim, 2 Drawing Sheets

(56) **References Cited**

U.S. PATENT DOCUMENTS

| | | | | | | |
|-----------|-----|---------|-----------|-------|-------------|----------|
| 2,169,898 | A * | 8/1939 | Roberta | | B25B 27/023 | 29/267 |
| 3,986,242 | A * | 10/1976 | Kerr | | B25B 27/023 | 29/261 |
| 4,291,736 | A * | 9/1981 | Robertson | | B25D 1/06 | 81/24 |
| 4,518,291 | A * | 5/1985 | Lang | | F16B 13/124 | 411/80.5 |
| 4,663,814 | A * | 5/1987 | Beck | | B25B 27/023 | 29/240 |



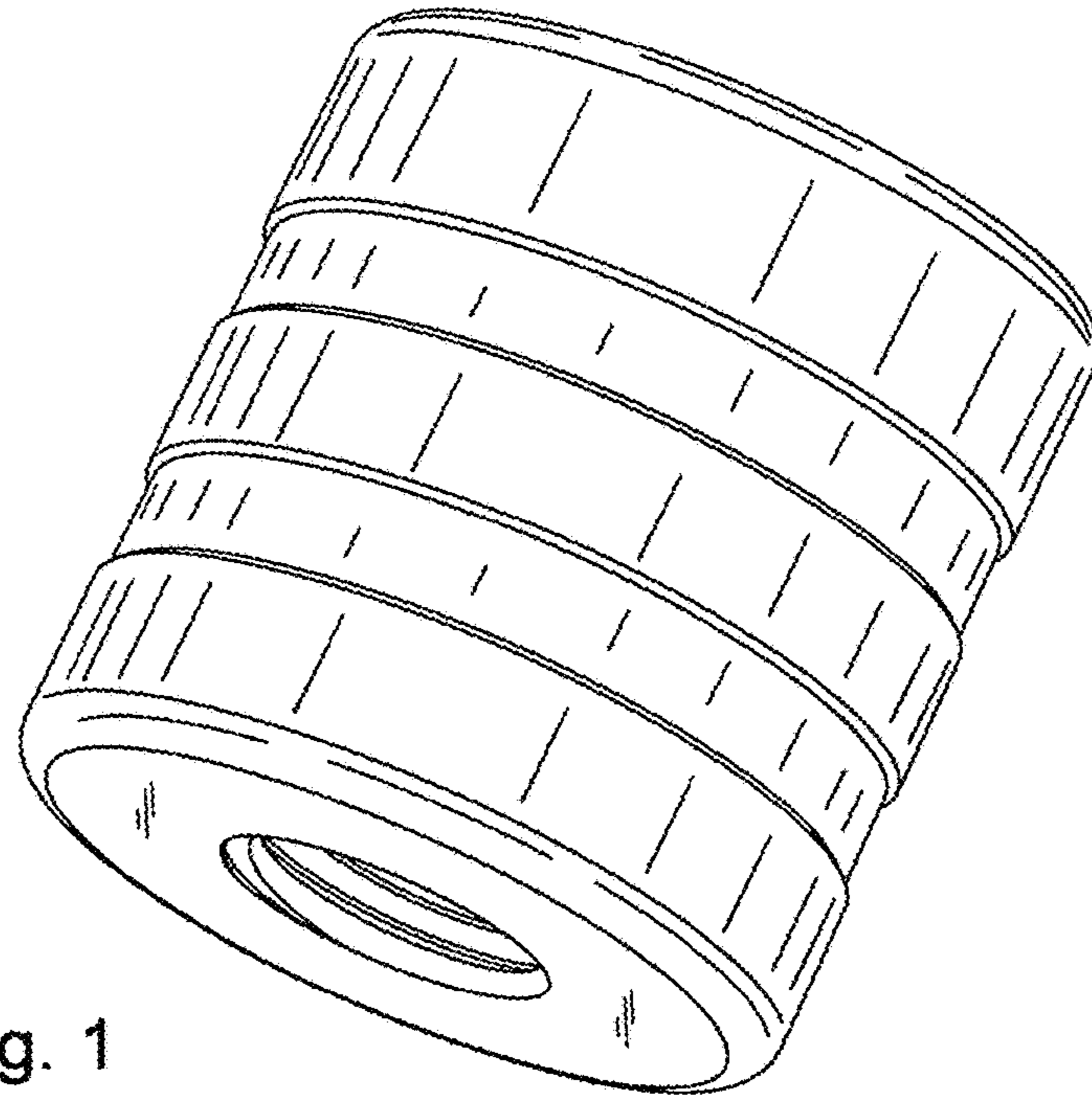


Fig. 1

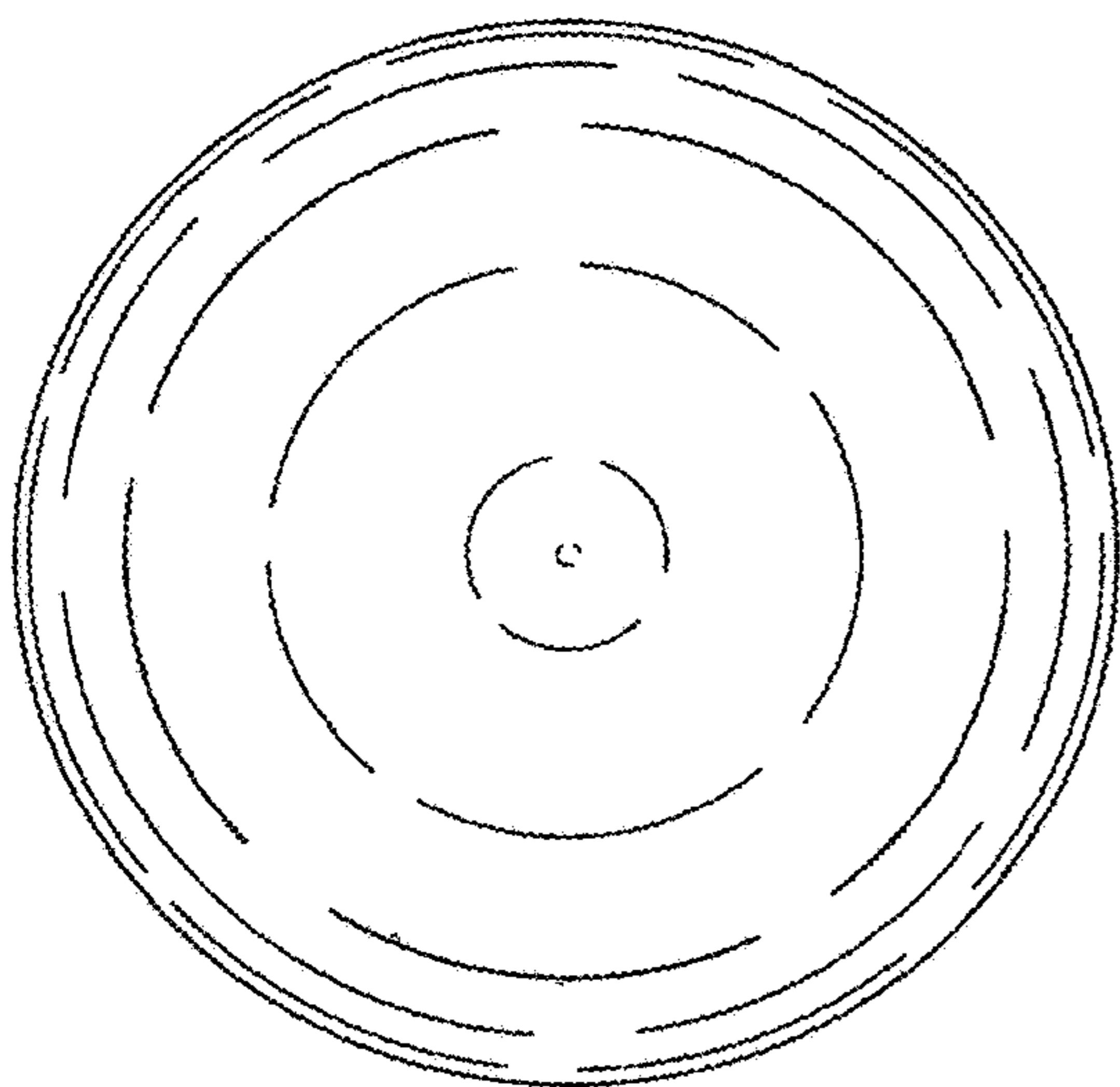


Fig. 2

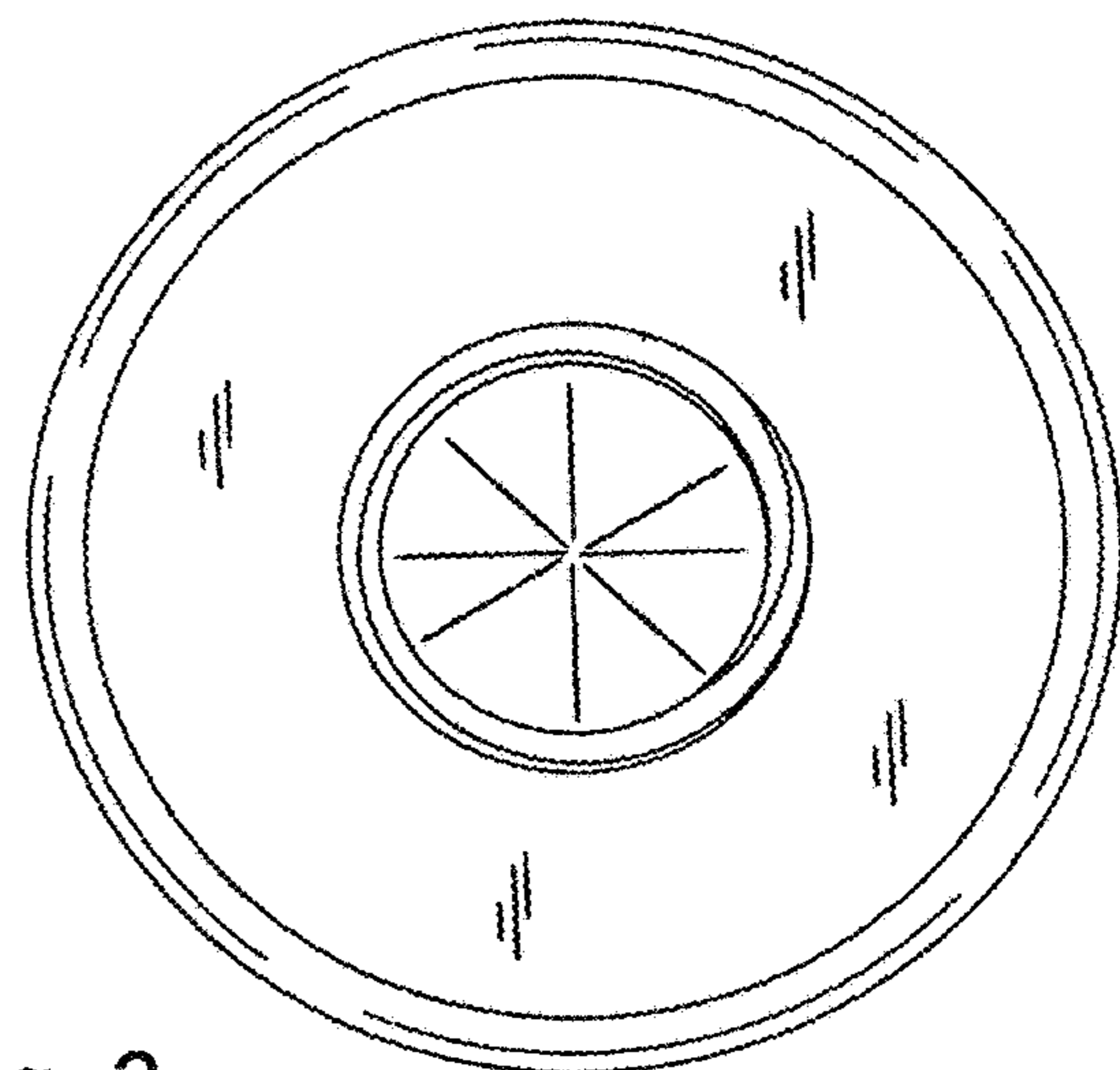


Fig. 3

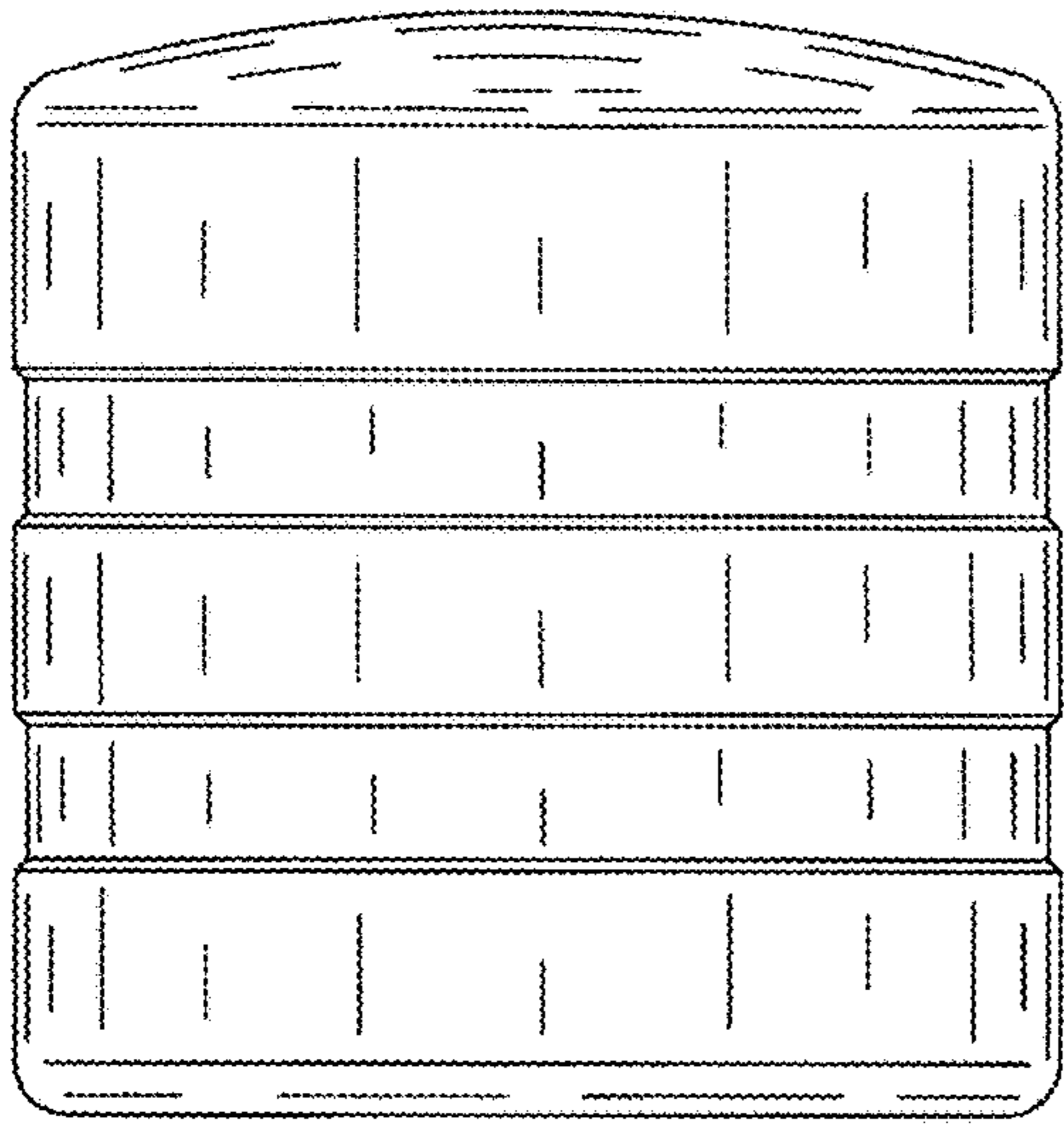


Fig. 4

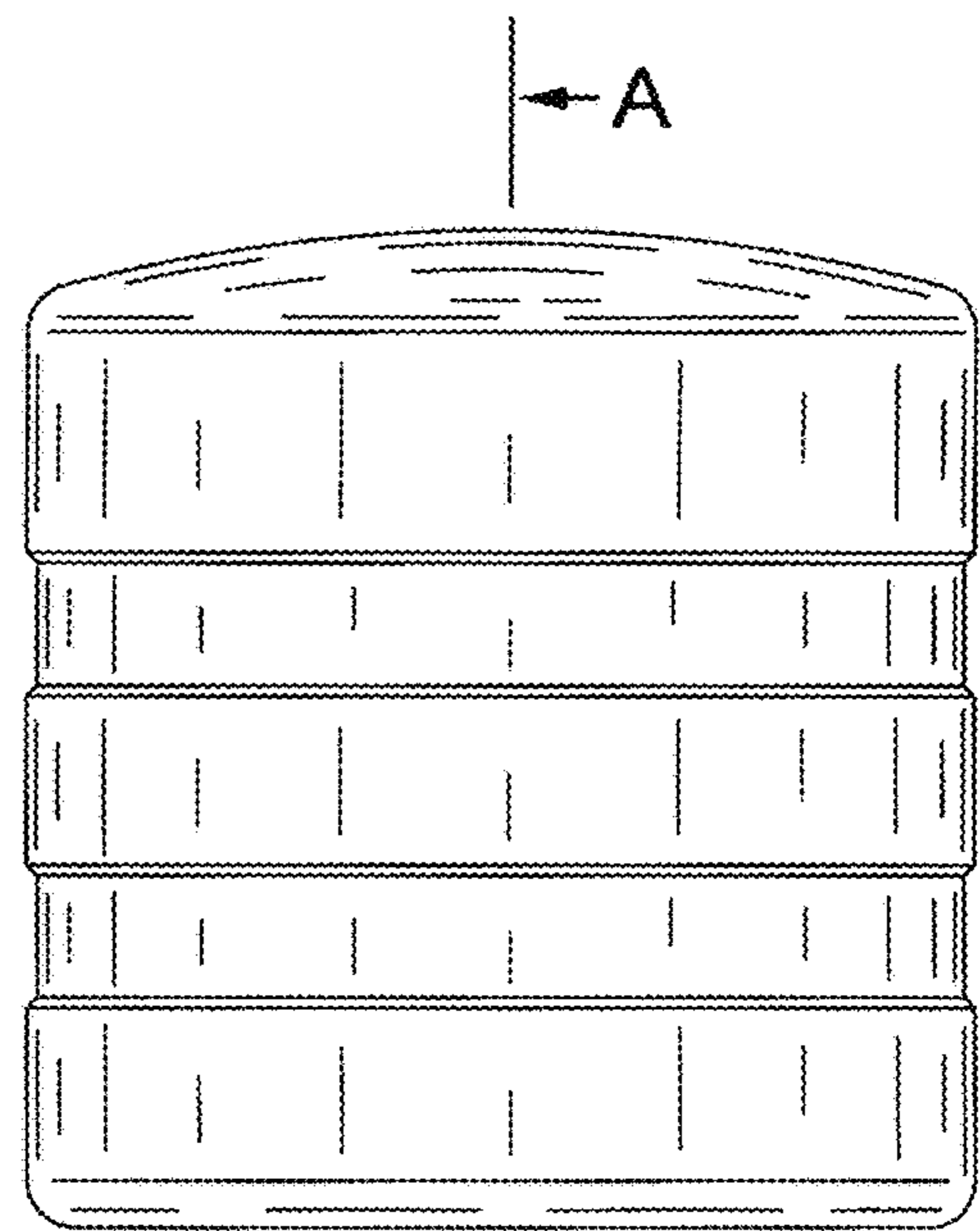


Fig. 5

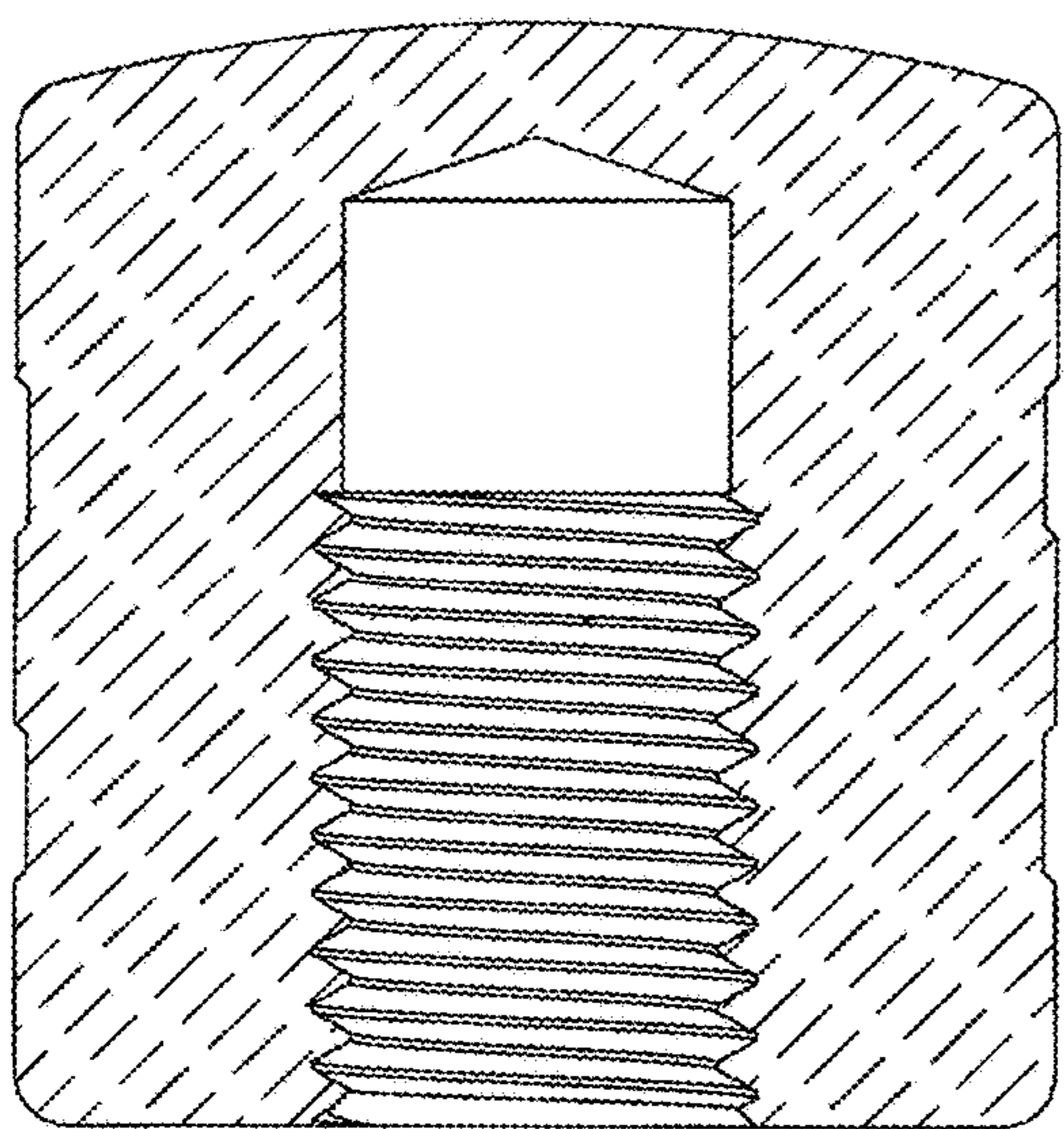


Fig. 6