



US00D931065S

(12) **United States Design Patent** (10) **Patent No.:** **US D931,065 S**  
**Xie** (45) **Date of Patent:** **\*\* Sep. 21, 2021**

(54) **SPATULA FOR COOKING**  
(71) Applicant: **Shenzhenshi Baozhixia Keji**  
**youxiangongsi**, Shenzhen Guangdong  
(CN)  
(72) Inventor: **Zhixia Xie**, Guangdong Province (CN)  
(\*\*) Term: **15 Years**

D527,959 S \* 9/2006 Fung ..... D7/690  
D588,420 S \* 3/2009 Waldman ..... D7/647  
D650,219 S \* 12/2011 Lu ..... D7/401.2  
D749,378 S \* 2/2016 Genatossio ..... D7/692  
D823,653 S 7/2018 Jaggard et al.  
2003/0122388 A1\* 7/2003 Yeung ..... A47J 43/288  
294/7  
2006/0162199 A1\* 7/2006 Kang ..... A47J 43/288  
40/446

(21) Appl. No.: **29/749,539**  
(22) Filed: **Sep. 7, 2020**  
(51) **LOC (13) Cl.** ..... **07-04**  
(52) **U.S. Cl.**  
USPC ..... **D7/692**  
(58) **Field of Classification Search**  
USPC ..... D7/688-692, 669, 368  
CPC ..... A47G 21/045; A47G 21/04; A47G 21/02;  
A47G 21/023; A47G 21/026; A47J  
43/288; A47J 43/283; A47J 43/281; A47J  
43/28; A47J 43/00; A47J 43/282; A47J  
43/285; A47F 13/08; A61J 7/0023  
See application file for complete search history.

(56) **References Cited**  
U.S. PATENT DOCUMENTS

3,906,632 A \* 9/1975 Oppenheimer ..... A47J 43/288  
30/322  
D306,115 S \* 2/1990 Zimmerman ..... D7/669  
D456,223 S \* 4/2002 Rowe ..... D7/692

**OTHER PUBLICATIONS**

Amazon.com, Star-Pack Basics XL Silicone Turner/Slotted Spatula,  
p. 1-7, first date available Jun. 21, 2016. (Year: 2016).\*

\* cited by examiner

*Primary Examiner* — Terry A Wallace

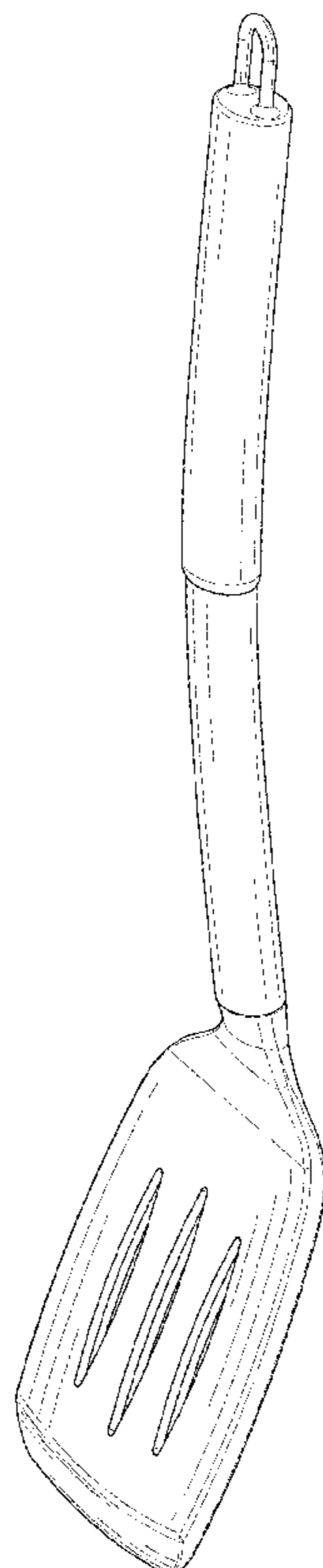
(57) **CLAIM**

The ornamental design for a spatula for cooking, as shown  
and described.

**DESCRIPTION**

FIG. 1 is a front and top perspective view of a spatula for  
cooking, showing my new design;  
FIG. 2 is a rear and bottom perspective view thereof;  
FIG. 3 is a front elevational view thereof;  
FIG. 4 is a rear elevational view thereof;  
FIG. 5 is a left side elevational view thereof;  
FIG. 6 is a right side elevational view thereof;  
FIG. 7 is a top plan view thereof; and,  
FIG. 8 is a bottom plan view thereof.

**1 Claim, 8 Drawing Sheets**



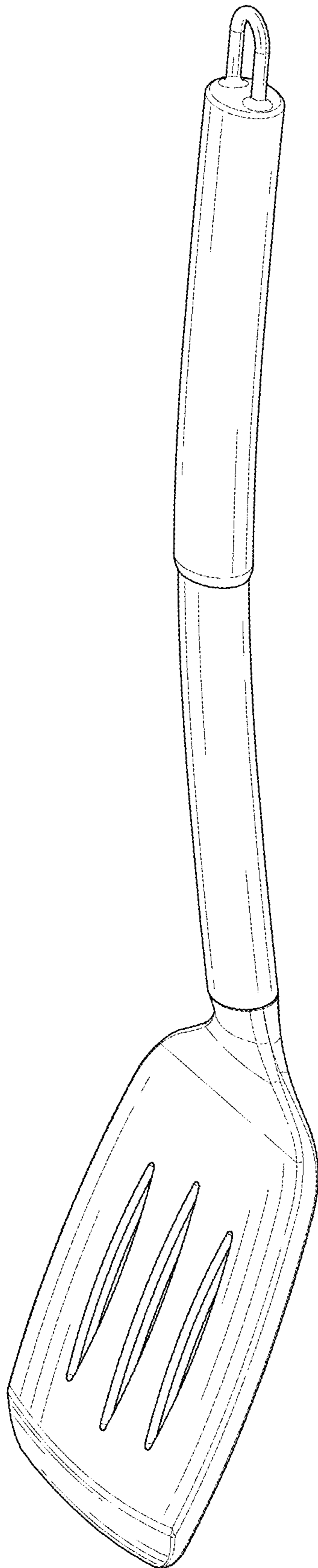


FIG. 1

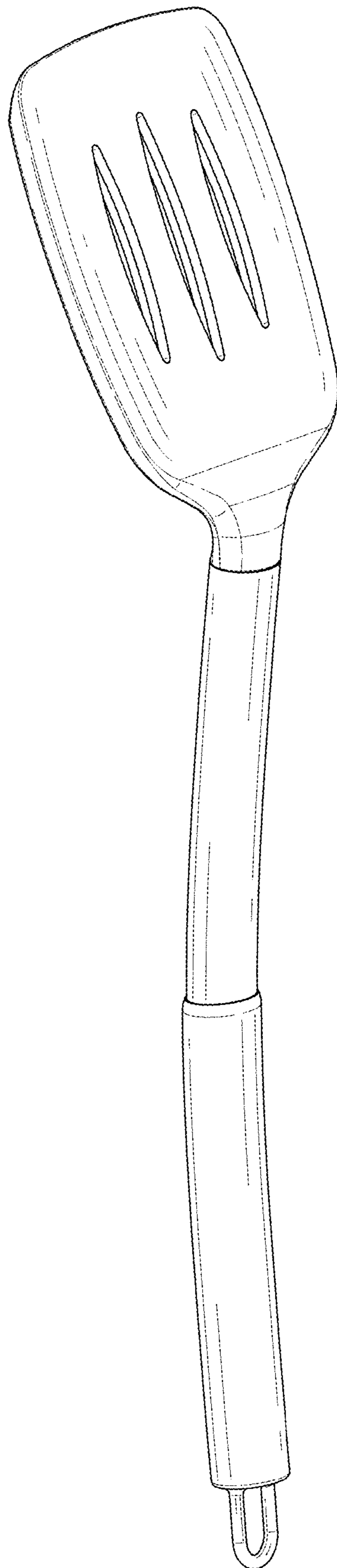


FIG. 2

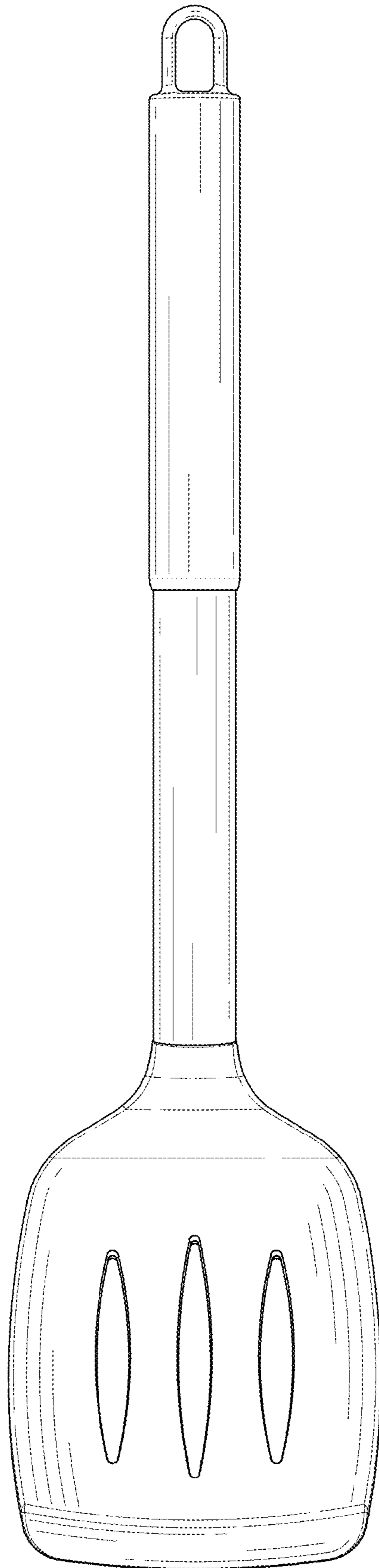


FIG. 3

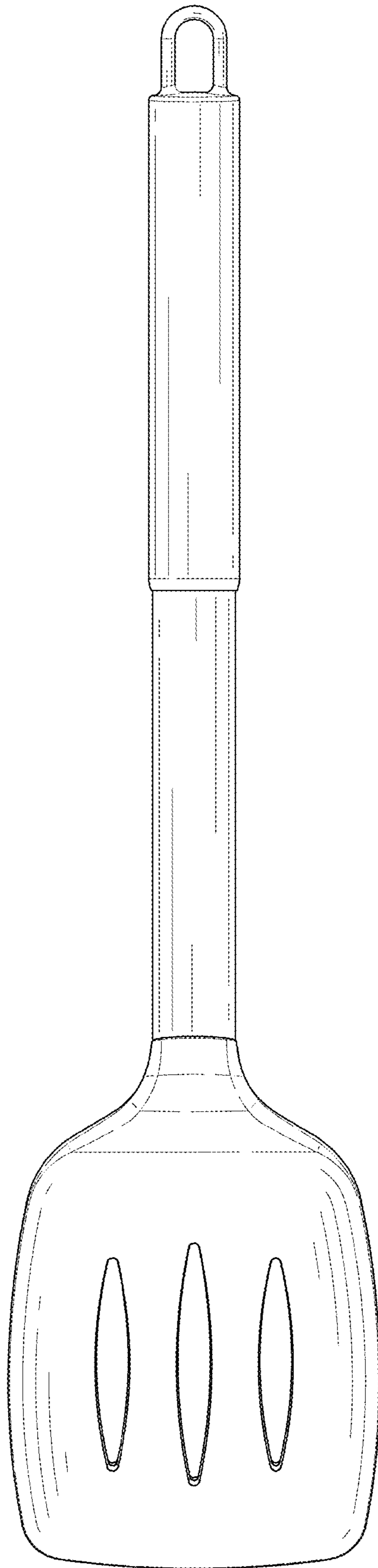


FIG. 4

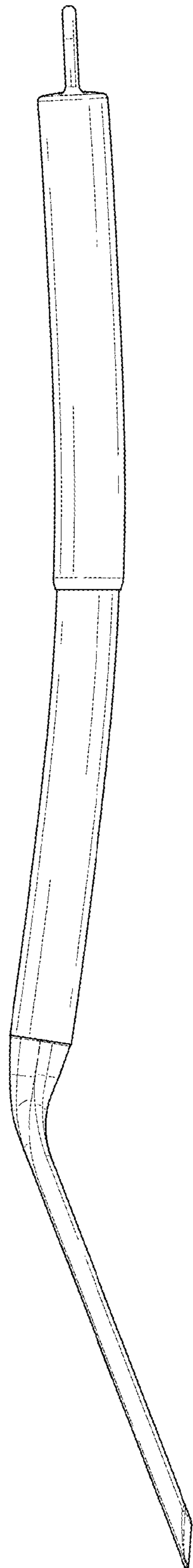


FIG. 5

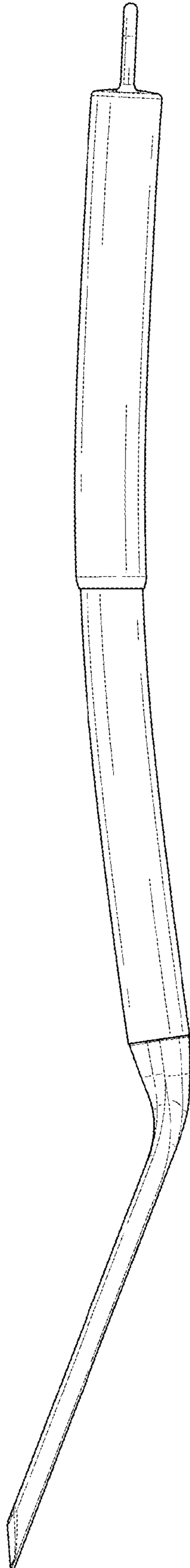


FIG. 6

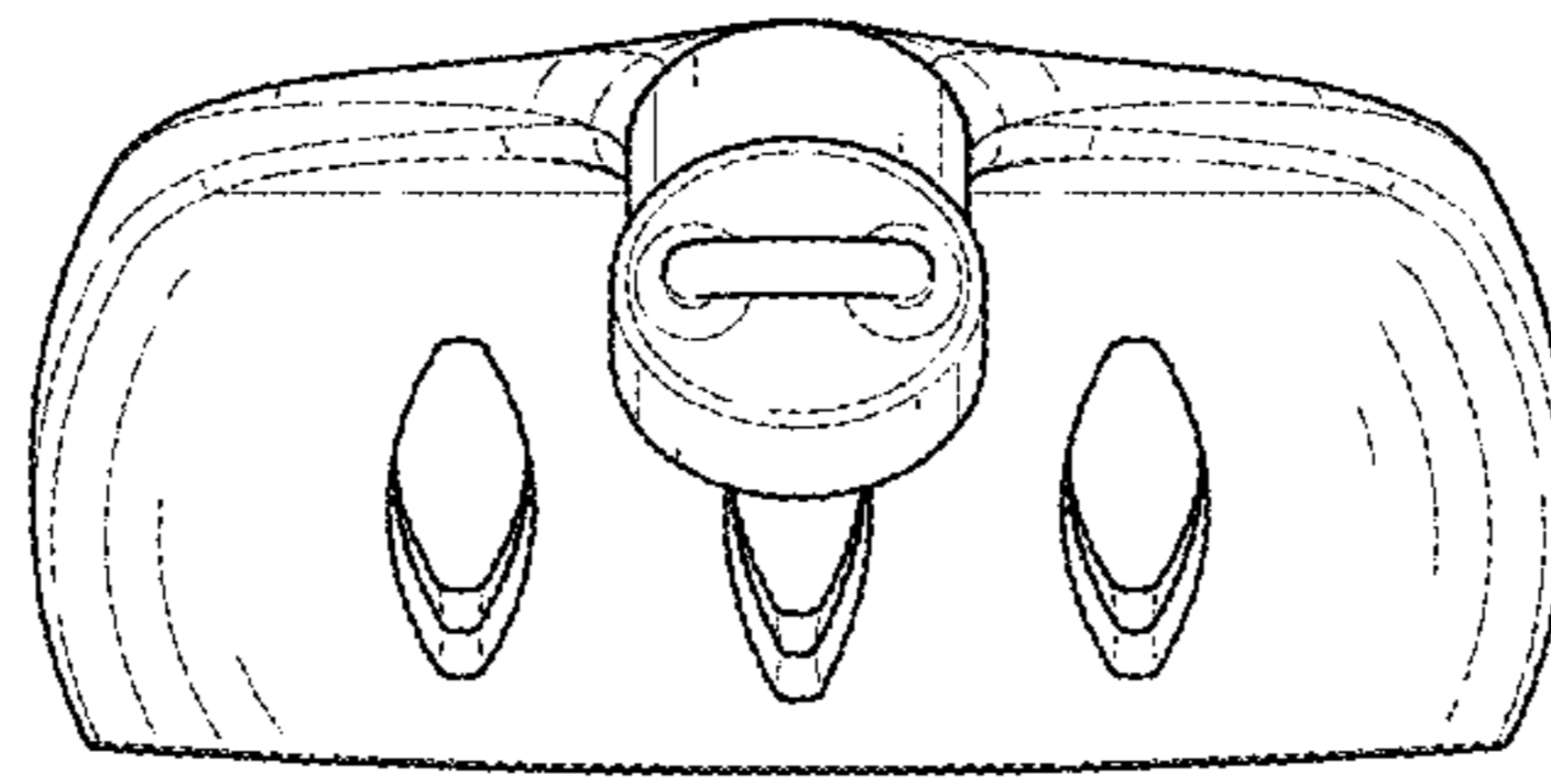


FIG. 7



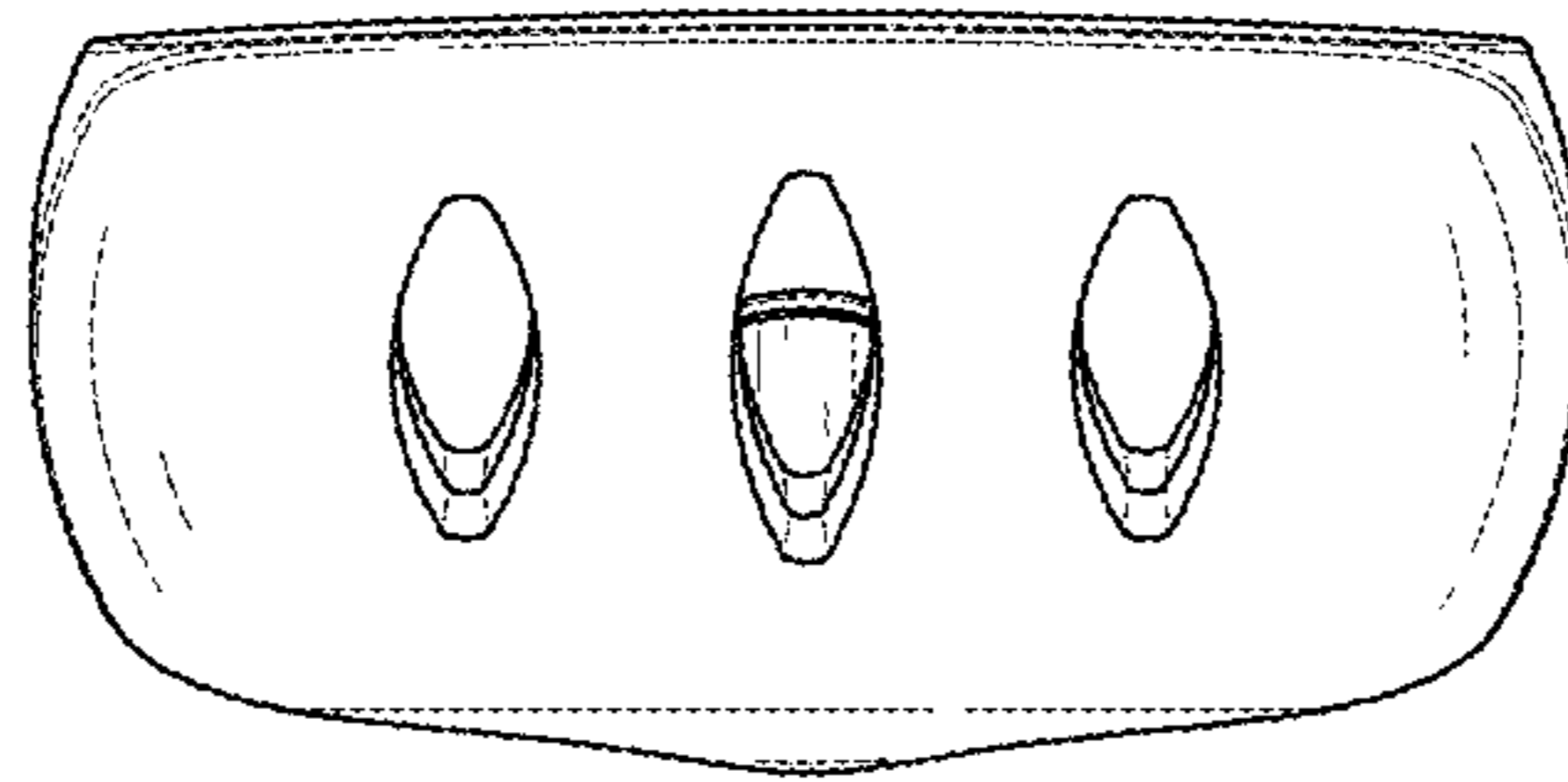


FIG. 8