



US00D931064S

(12) **United States Design Patent**
Xu

(10) **Patent No.:** **US D931,064 S**

(45) **Date of Patent:** **** Sep. 21, 2021**

(54) **LUNCH BOX**

(71) Applicant: **Dongguan Oumeng Houseware Products Co., Ltd, Guangdong (CN)**

(72) Inventor: **Jingsheng Xu, Hunan (CN)**

(73) Assignee: **Dongguan Oumeng Houseware Products Co., Ltd, Dongguan (CN)**

(**) Term: **15 Years**

(21) Appl. No.: **29/720,432**

(22) Filed: **Jan. 13, 2020**

(51) **LOC (13) Cl.** **07-06**

(52) **U.S. Cl.**
USPC **D7/629**

(58) **Field of Classification Search**
USPC D7/629, 630, 605, 709; D3/273
CPC . A47J 41/00; A47J 47/02; A47J 47/14; B65D 81/38; B65D 81/3813; B65D 81/3816; B65D 81/3818; B65D 81/382; B65D 81/3825; B65D 81/3827; B65D 81/383; B65D 81/3834; B65D 81/3837; B65D 81/3839; B65D 81/3841; B65D 81/3844; B65D 81/3846; F25D 3/00; F25D 3/16; F25D 3/08; F25D 3/14; F25D 3/107; A45C 11/20

See application file for complete search history.

(56) **References Cited**

U.S. PATENT DOCUMENTS

D668,866 S *	10/2012	Meng	D3/273
D696,075 S *	12/2013	Mashike	D7/605
D718,048 S *	11/2014	Hsu	D3/273
D763,629 S *	8/2016	Swartz	D7/629
2020/0189829 A1 *	6/2020	Han	B65D 7/065

* cited by examiner

Primary Examiner — Terry A Wallace

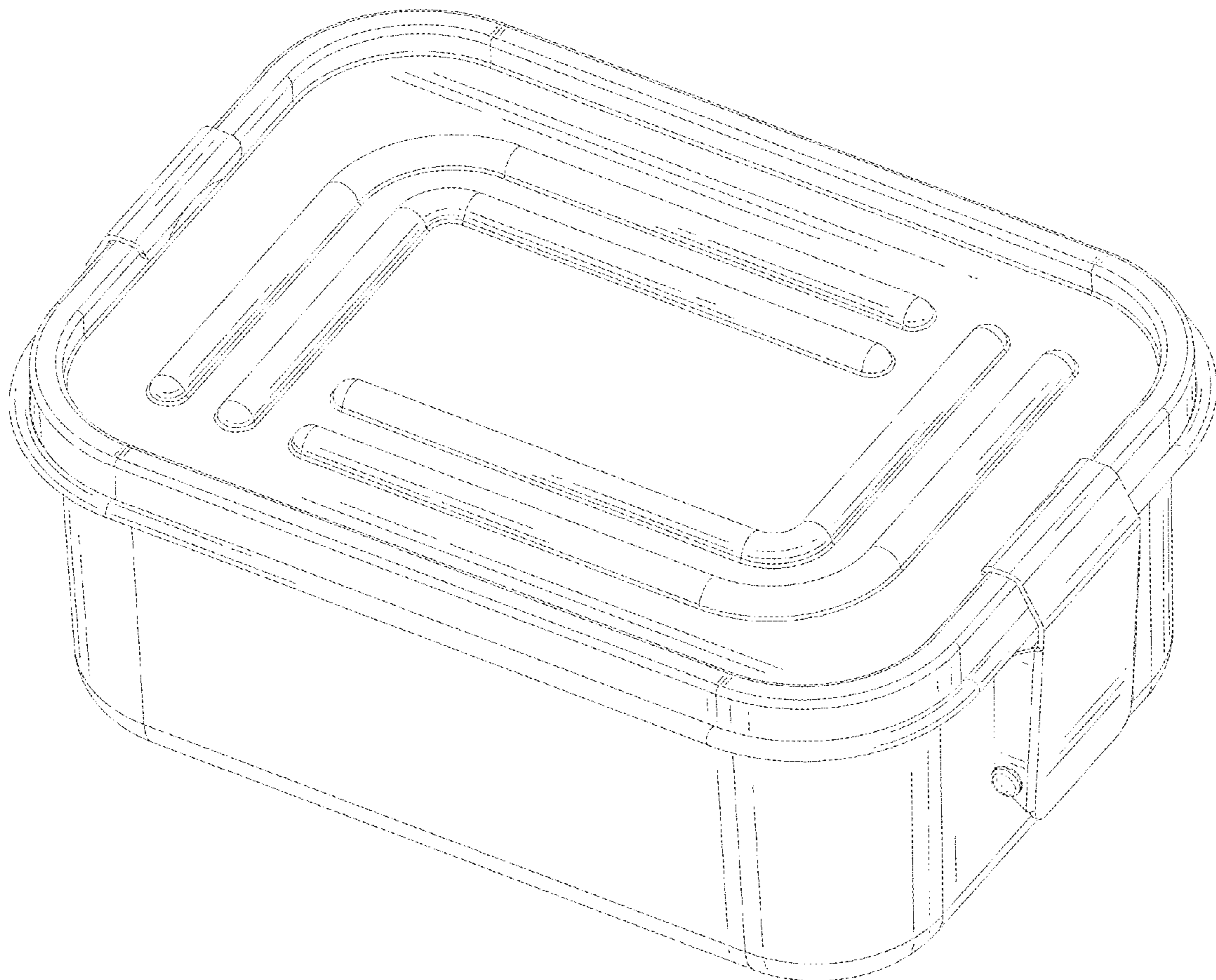
(57) **CLAIM**

The ornamental design for a lunch box, as shown and described.

DESCRIPTION

FIG. 1 is a perspective view of a lunch box showing my new design;
FIG. 2 is another perspective view thereof;
FIG. 3 is a front elevation view thereof;
FIG. 4 is a left side view thereof;
FIG. 5 is a top plan view thereof; and,
FIG. 6 is a bottom plan view thereof.

1 Claim, 6 Drawing Sheets



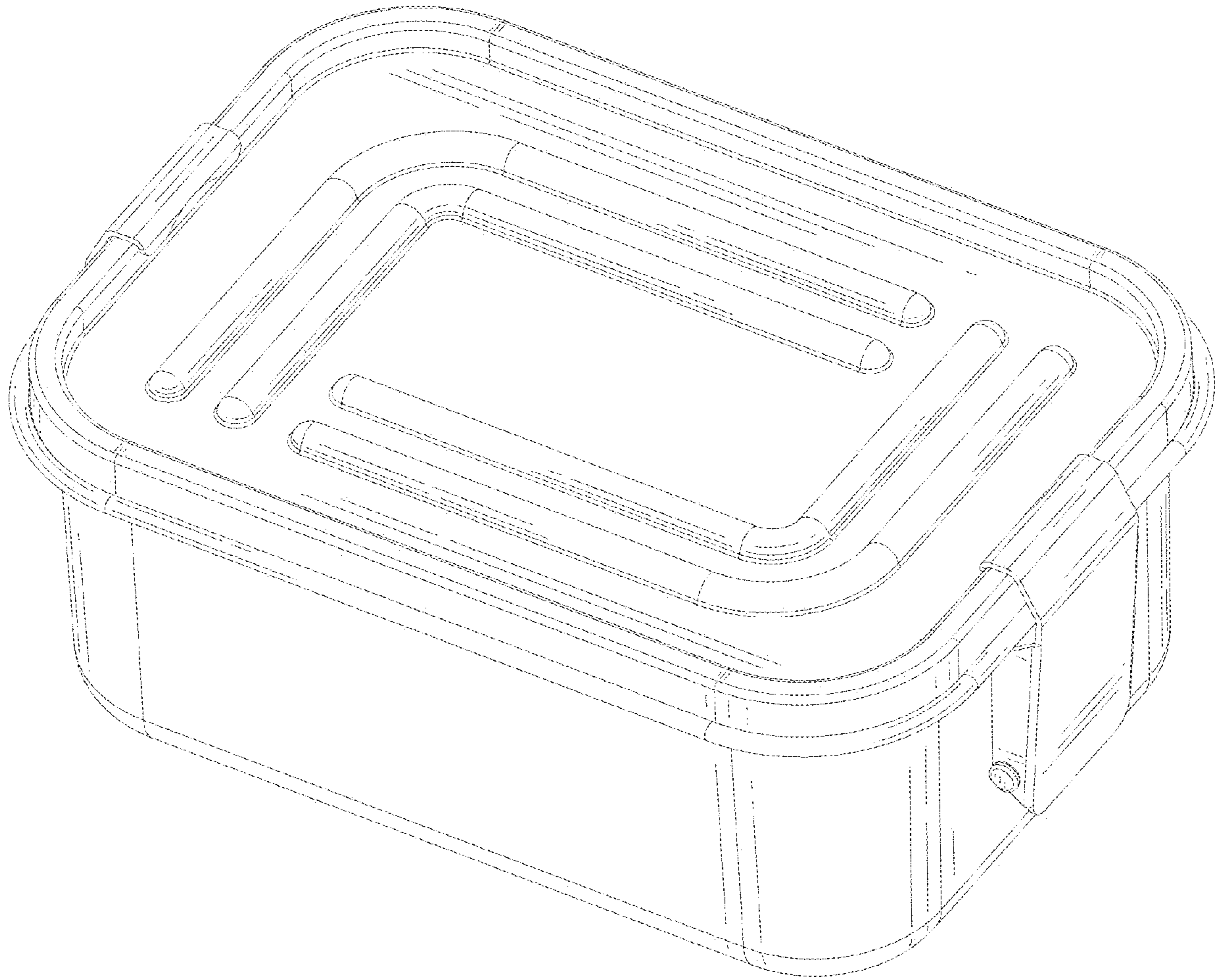


FIG. 1

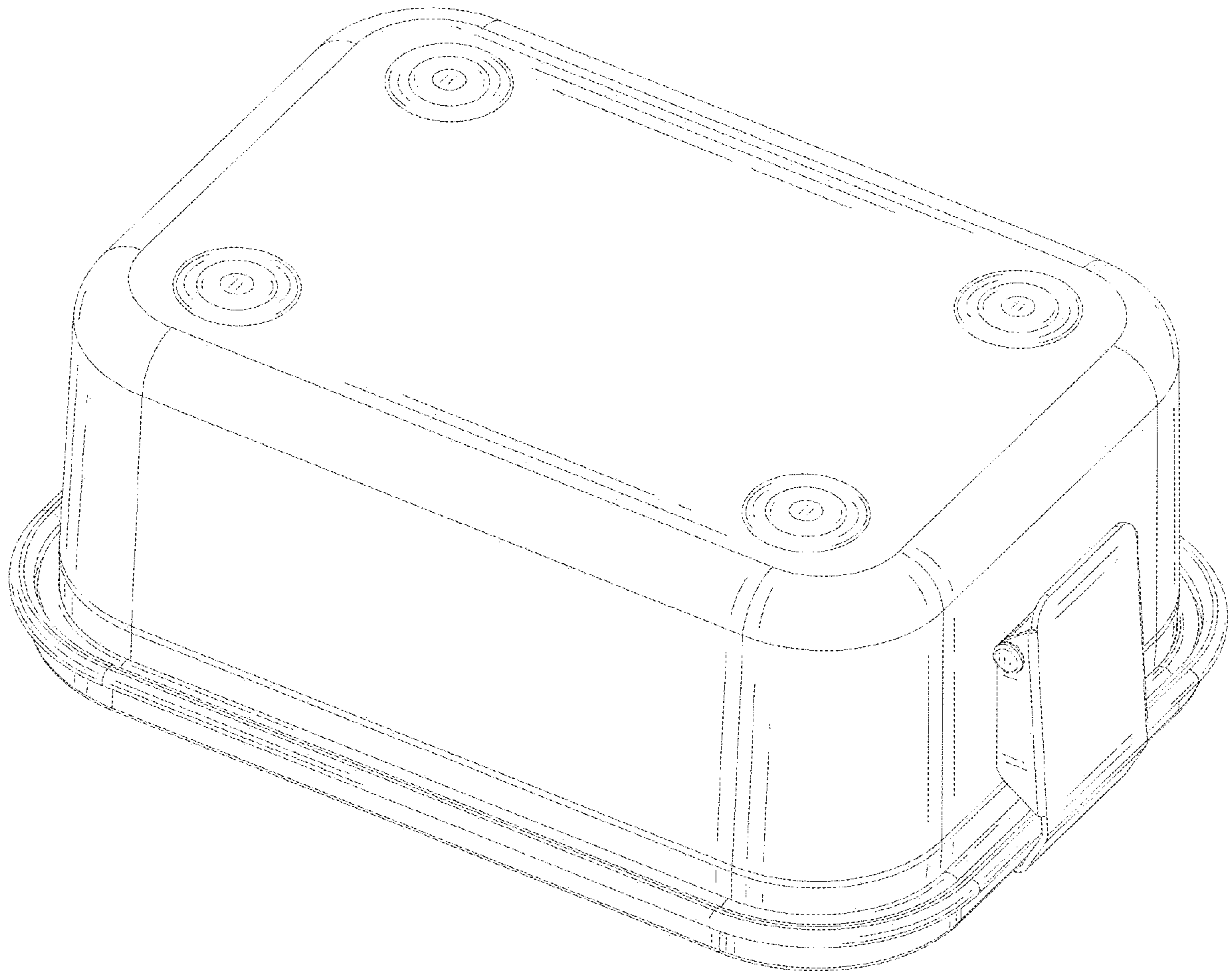


FIG. 2

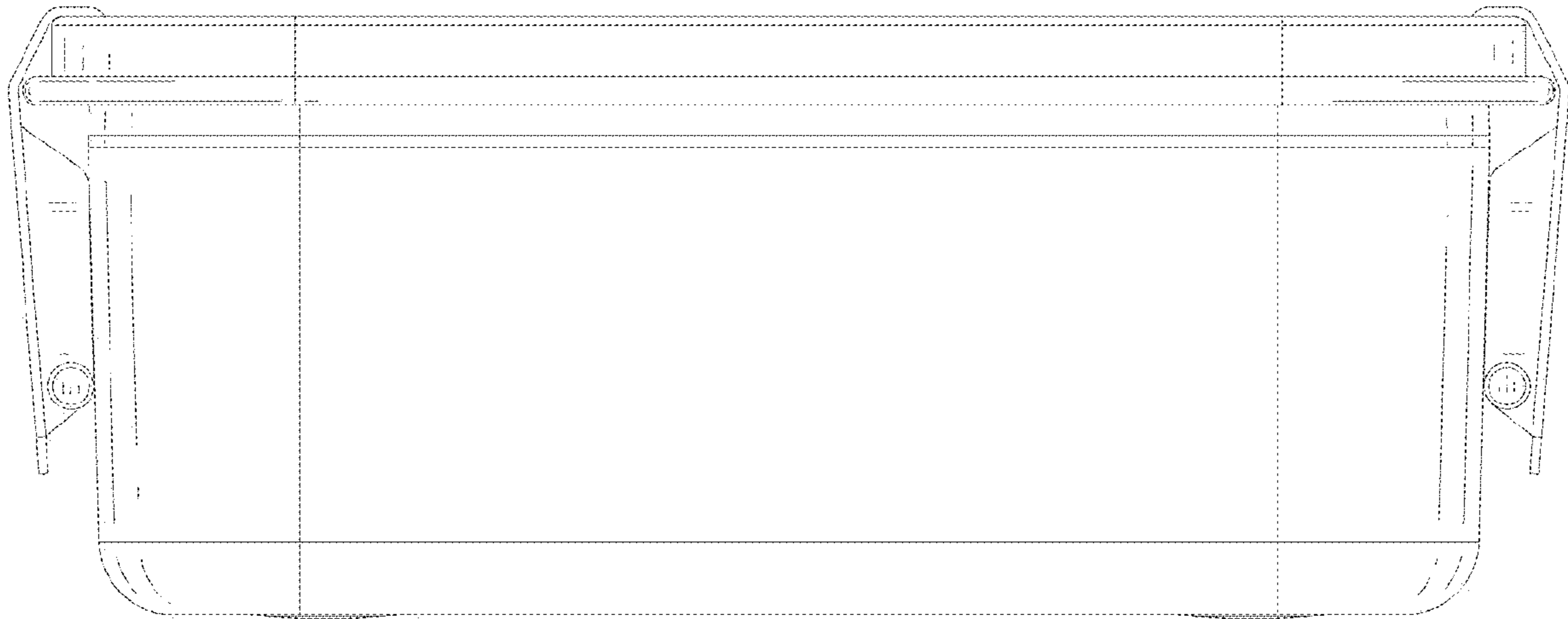


FIG. 3

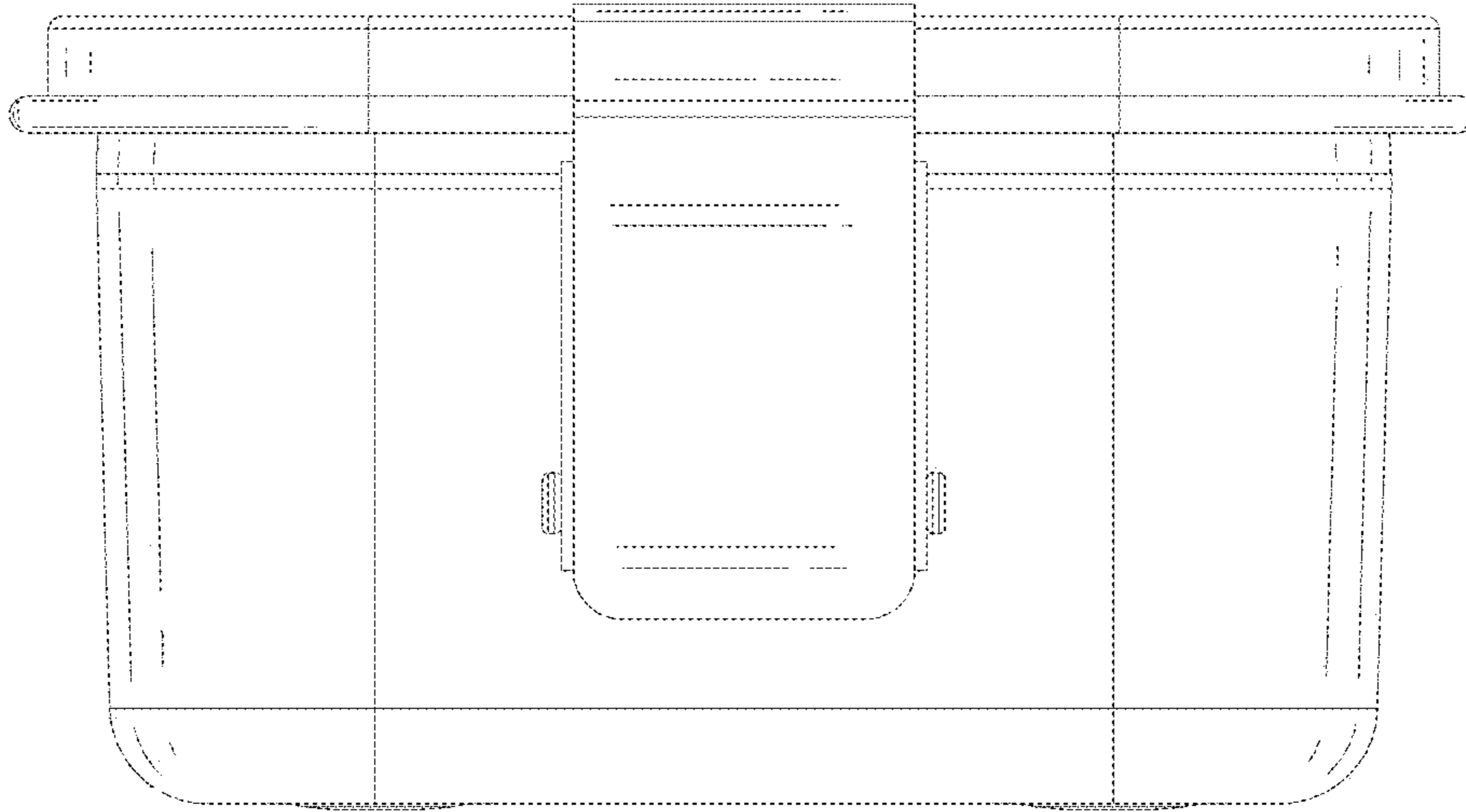


FIG. 4

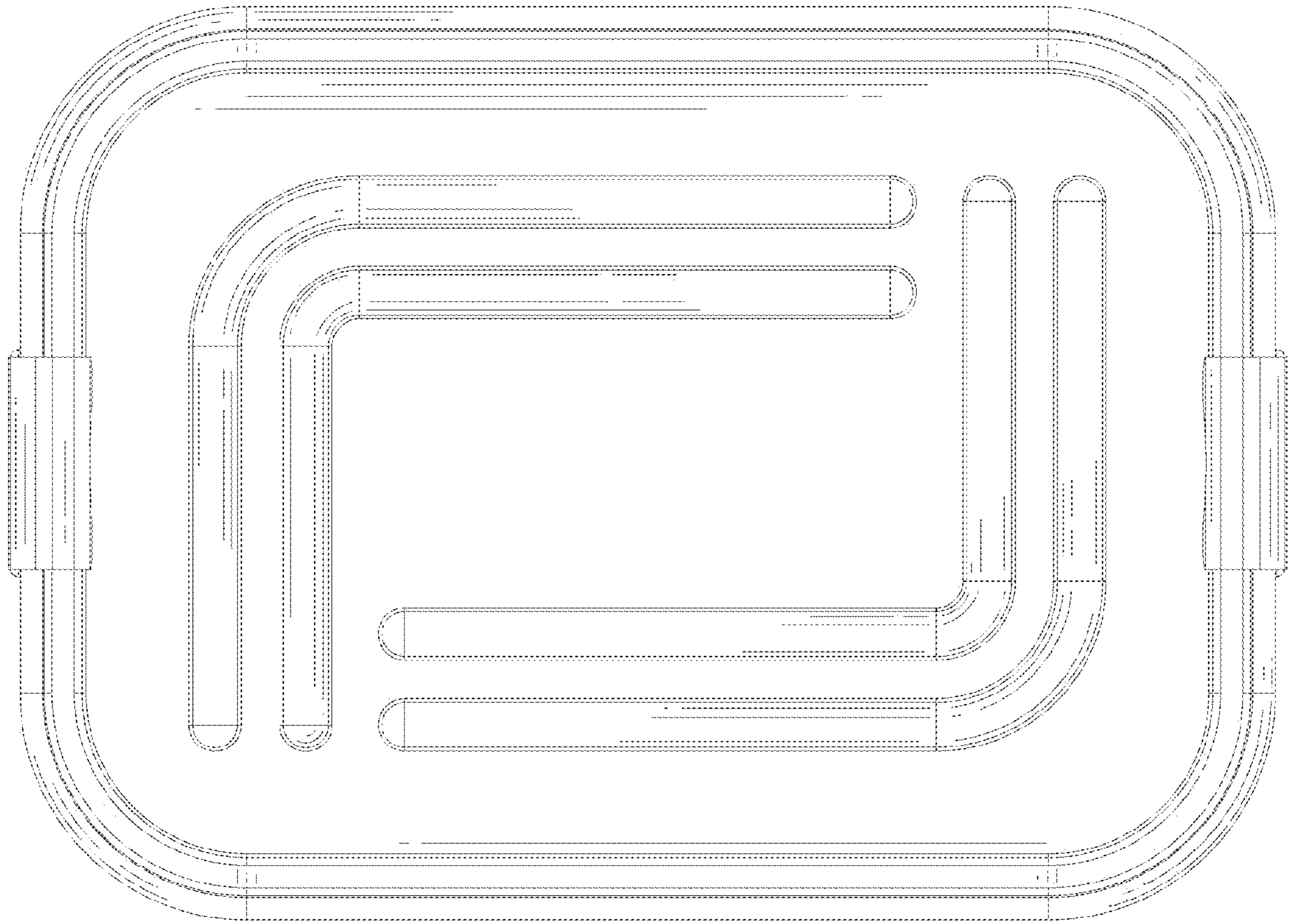


FIG. 5

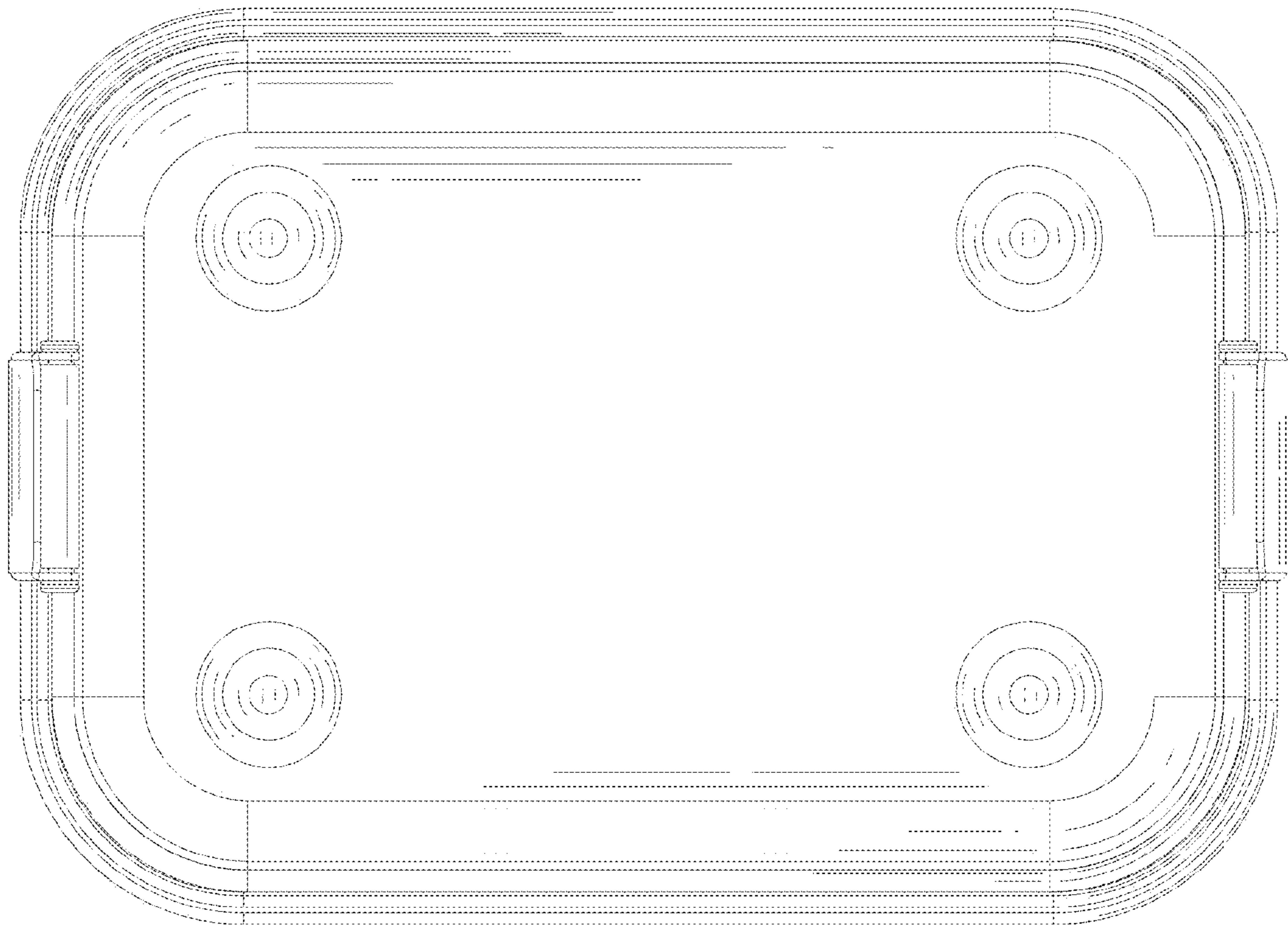


FIG. 6