



US00D931063S

(12) **United States Design Patent**
Miksovsky et al.

(10) **Patent No.:** **US D931,063 S**

(45) **Date of Patent:** **** Sep. 21, 2021**

(54) **STACKABLE CONTAINER**

(71) Applicant: **humangear, Inc.**, San Francisco, CA
(US)

(72) Inventors: **Christopher A. Miksovsky**, San Francisco, CA (US); **Steven R. Takayama**, Atherton, CA (US); **Kevin J. Kilpatrick**, Mountain View, CA (US); **Scott D. Cook**, Oakland, CA (US)

(73) Assignee: **humangear, Inc.**, San Francisco, CA
(US)

(**) Term: **15 Years**

(21) Appl. No.: **29/696,285**

(22) Filed: **Jun. 26, 2019**

(51) **LOC (13) Cl.** **09-07**

(52) **U.S. Cl.**
USPC **D7/629; D7/538**

(58) **Field of Classification Search**
USPC D7/601, 602, 553.1, 584, 629; 426/85
CPC A47G 19/02; A47G 19/025; B65D 1/24;
B65D 1/36; A45C 11/20; B42F 9/00
See application file for complete search history.

(56) **References Cited**

U.S. PATENT DOCUMENTS

D266,300 S *	9/1982	Haner	D7/538
5,409,126 A *	4/1995	DeMars	B65D 21/0219 206/499
D518,336 S *	4/2006	Hirani	D7/629
D547,611 S *	7/2007	Seum	D7/510
D558,451 S *	1/2008	Roesler	D3/282
D599,169 S *	9/2009	Stalions	D7/510
D605,529 S *	12/2009	Holtrop	D9/454
D625,149 S *	10/2010	Stamper	D7/538
D686,885 S *	7/2013	Meyers	D7/629

D736,036 S *	8/2015	Dash	D7/541
D751,817 S *	3/2016	Stuart	D3/302
D780,600 S *	3/2017	Stuart	D9/743
D789,152 S *	6/2017	Wall	D7/584
D804,963 S *	12/2017	Stuart	D9/756

(Continued)

OTHER PUBLICATIONS

Light My Fire of Sweden, "Add-a-Twist", <http://add-a-twist.lightmyfire.com/>, excerpt from Light My Fire website showing a container that was available prior to the filing of the present application.

(Continued)

Primary Examiner — Cynthia R Underwood

(74) *Attorney, Agent, or Firm* — Beyer Law Group LLP

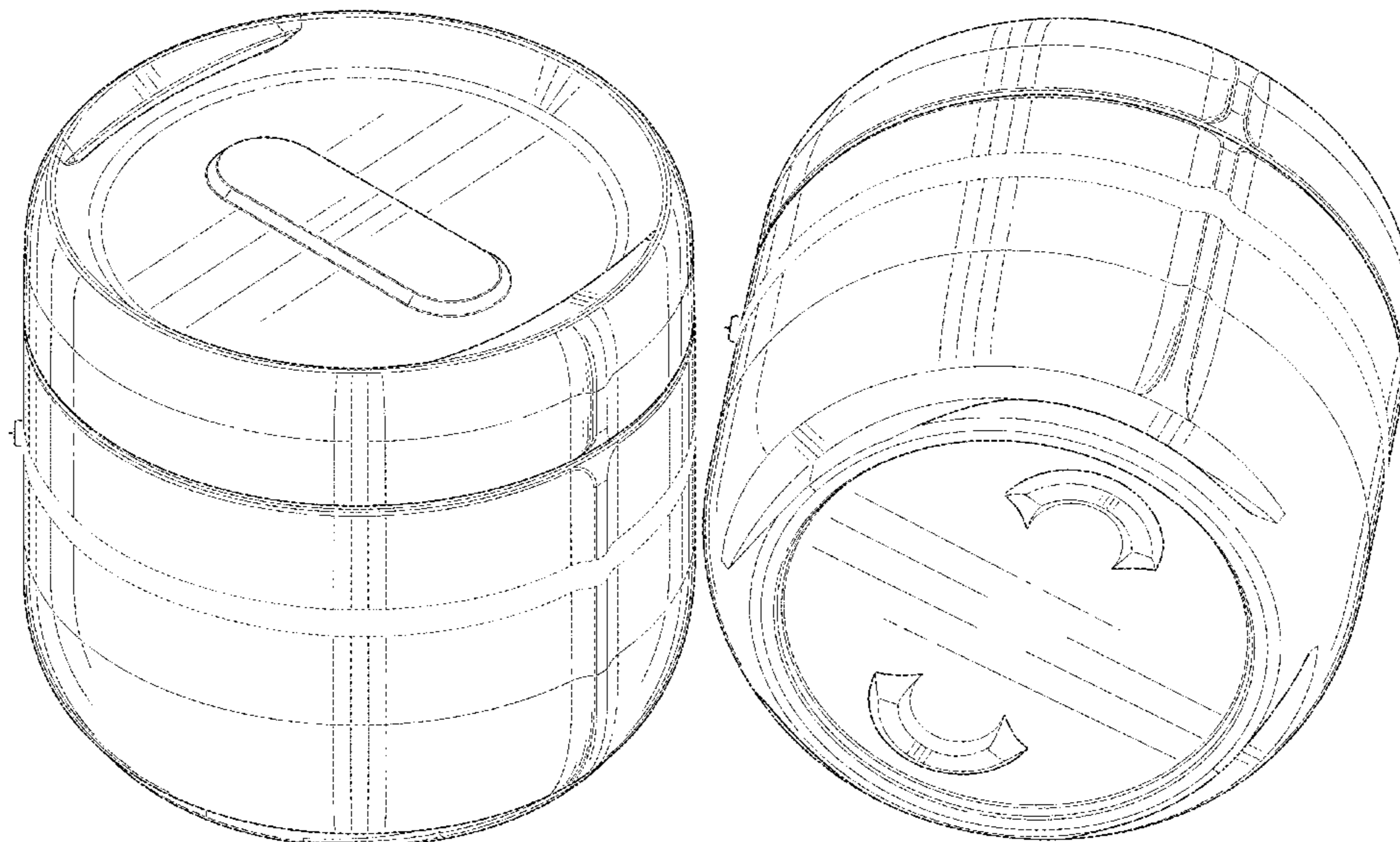
(57) **CLAIM**

We claim the ornamental design for a stackable container, substantially as shown and described.

DESCRIPTION

FIG. 1 is a top perspective view of a stackable container in accordance with the present design.
FIG. 2 is a bottom perspective view thereof.
FIG. 3 is a front elevational view thereof;
FIG. 4 is a back elevational view thereof;
FIG. 5 is a right side elevational view thereof.
FIG. 6 is a left side elevational view thereof.
FIG. 7 is a top plan view thereof.
FIG. 8 is a bottom plan view thereof; and,
FIG. 9 is a perspective view of a container stack that includes the stackable container representing an environment that such container may be used in.
The broken lines in the drawing depict boundaries of the claimed design or depict environmental subject matter/unclaimed parts of the design and form no part of the claimed design.

1 Claim, 9 Drawing Sheets



(56)

References Cited

U.S. PATENT DOCUMENTS

D881,653 S * 4/2020 Serrahima D7/602
 2014/0069917 A1* 3/2014 Meyers B65D 51/242
 220/23.88

OTHER PUBLICATIONS

Blender Bottle, “GoStak”, <https://www.blenderbottle.com/products/gostak>, excerpt from Blender Bottle website showing a container that was available prior to the filing of the present application.

Seleware, “Portable and Stackable 4-Piece Twist Lock Panda Storage Jars Snack Container to Container Formula, Snacks, Nuts, Drinks and More”, https://www.amazon.com/gp/product/B06XYKLLDG/ref=ppx_yo_dt_b_search_asin_title?ie=UTF8&th=1, excerpt from Amazon website showing a container that was available prior to the filing of the present application.

Oxo, “Tot 6 Piece Stackable Formula Containers Set”, https://www.amazon.com/gp/product/B00G3N7H36/ref=ppx_yo_dt_b_search_asin_title?ie=UTF8&psc=1, excerpt from Amazon website showing a container that was available prior to the filing of the present application.

Innobaby, “Packin Smart Stackable and Portable Storage System for Formula, Baby Snacks and More”, https://www.amazon.com/gp/product/B00TM905L4/ref=ppx_yo_dt_b_search_asin_title?ie=UTF8&psc=1, excerpt from Amazon website showing a container that was available prior to the filing of the present application.

To-Go-Ware, “3-Tier Stainless Lunch Box”, https://www.amazon.com/gp/product/B001M5SOS2/ref=ppx_yo_dt_b_search_asin_title?ie=UTF8&psc=1, excerpt from Amazon website showing a container that was available prior to the filing of the present application.

Skip Hop, “Grab and Go Formula to Food Container Set, Multi”, https://www.amazon.com/gp/product/B01HEMZ664/ref=ppx_yo_

[dt_b_search_asin_title?ie=UTF8&psc=1](https://www.amazon.com/gp/product/B01HEMZ664/ref=ppx_yo_dt_b_search_asin_title?ie=UTF8&psc=1), excerpt from Amazon website showing a container that was available prior to the filing of the present application.

Mepal, “Lunchpot Ellipse”, <https://www.mepal.com/en/lunchpot-ellipse-pink-107648072400>, excerpt from Mepal website showing a container that was available prior to the filing of the present application.

Muji, “Acrylic Pots—Stacking”, <https://www.muji.eu/pages/online.asp?lan=uk&ShopSel=y&scrn=2560&wndw=2560&sec=18&sub=78&pid=304>, excerpt from Muji website showing a container that was available prior to the filing of the present application.

Bentgo, “Classic All-in-One Stackable Bento Lunch Box”, <https://bentgo.com/products/bentgo?variant=727065243>, excerpt from Bentgo website showing a container that was available prior to the filing of the present application.

“Stacking Bento Lunch Box With Handles & Utensils—7Pcs Fun Food Storage Containers”, https://www.amazon.com/gp/product/B011ZS9SHQ/ref=ppx_yo_dt_b_search_asin_title?ie=UTF8&psc=1, excerpt from Amazon website showing a container that was available prior to the filing of the present application.

Innobaby, “Pakin’ Smart Lock & Lock Stacking Bento”, https://www.amazon.com/gp/product/B0076PGJSE/ref=ppx_yo_dt_b_search_asin_title?ie=UTF8&psc=1, excerpt from Amazon website showing a container that was available prior to the filing of the present application.

Kotobuki, “2-Tiered Bento Box”, https://www.amazon.com/gp/product/B00200L83G/ref=ppx_yo_dt_b_search_asin_title?ie=UTF8&psc=1, excerpt from Amazon website showing a container that was available prior to the filing of the present application.

Monbento, “MB Original Bento Box”, https://www.amazon.com/gp/product/B005HGSJOG/ref=ppx_yo_dt_b_search_asin_title?ie=UTF8&psc=1, excerpt from Amazon website showing a container that was available prior to the filing of the present application.

Miksovsky et al., U.S. Appl. No. 29/696,284, filed Jun. 26, 2019.

* cited by examiner

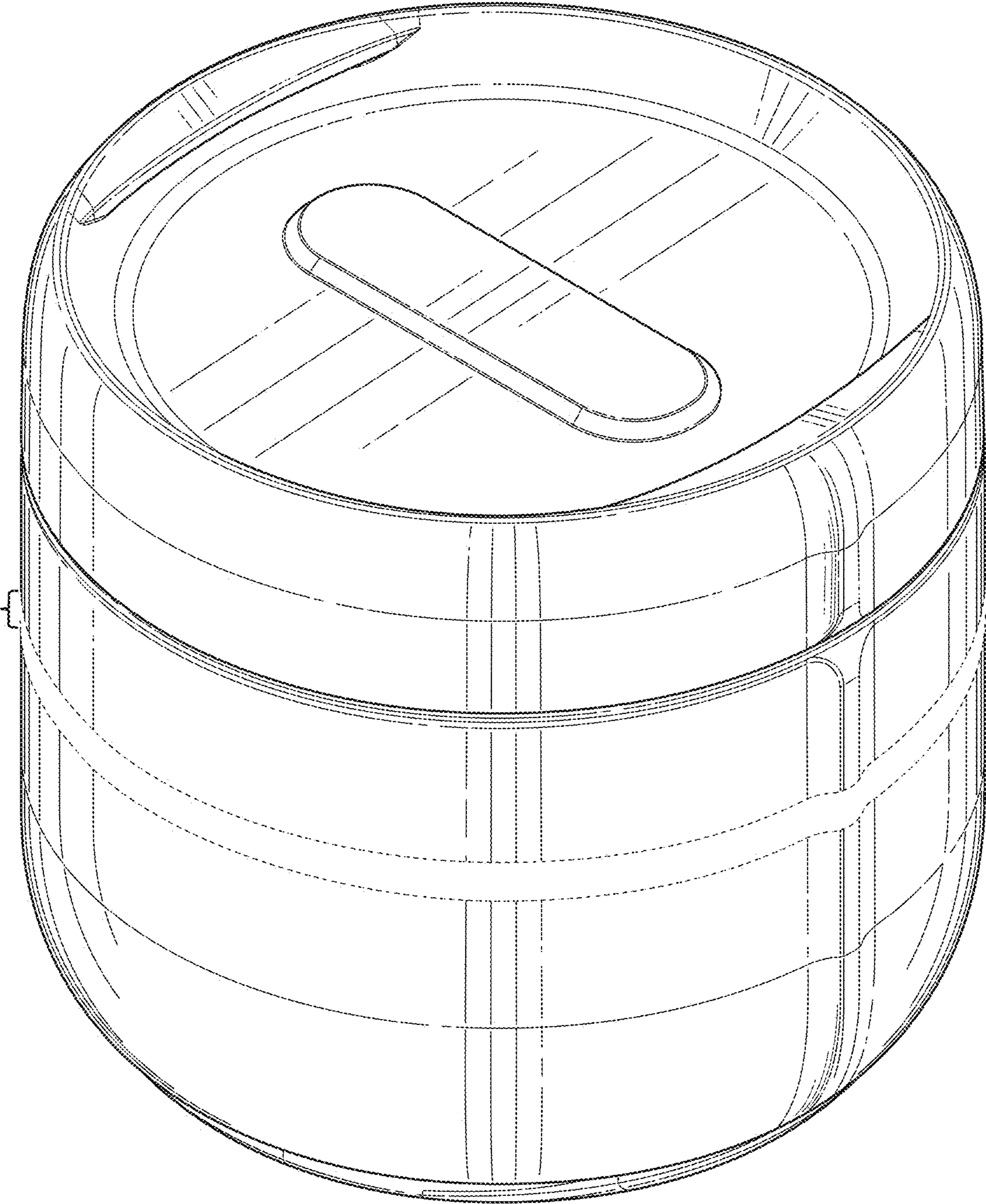


FIG. 1

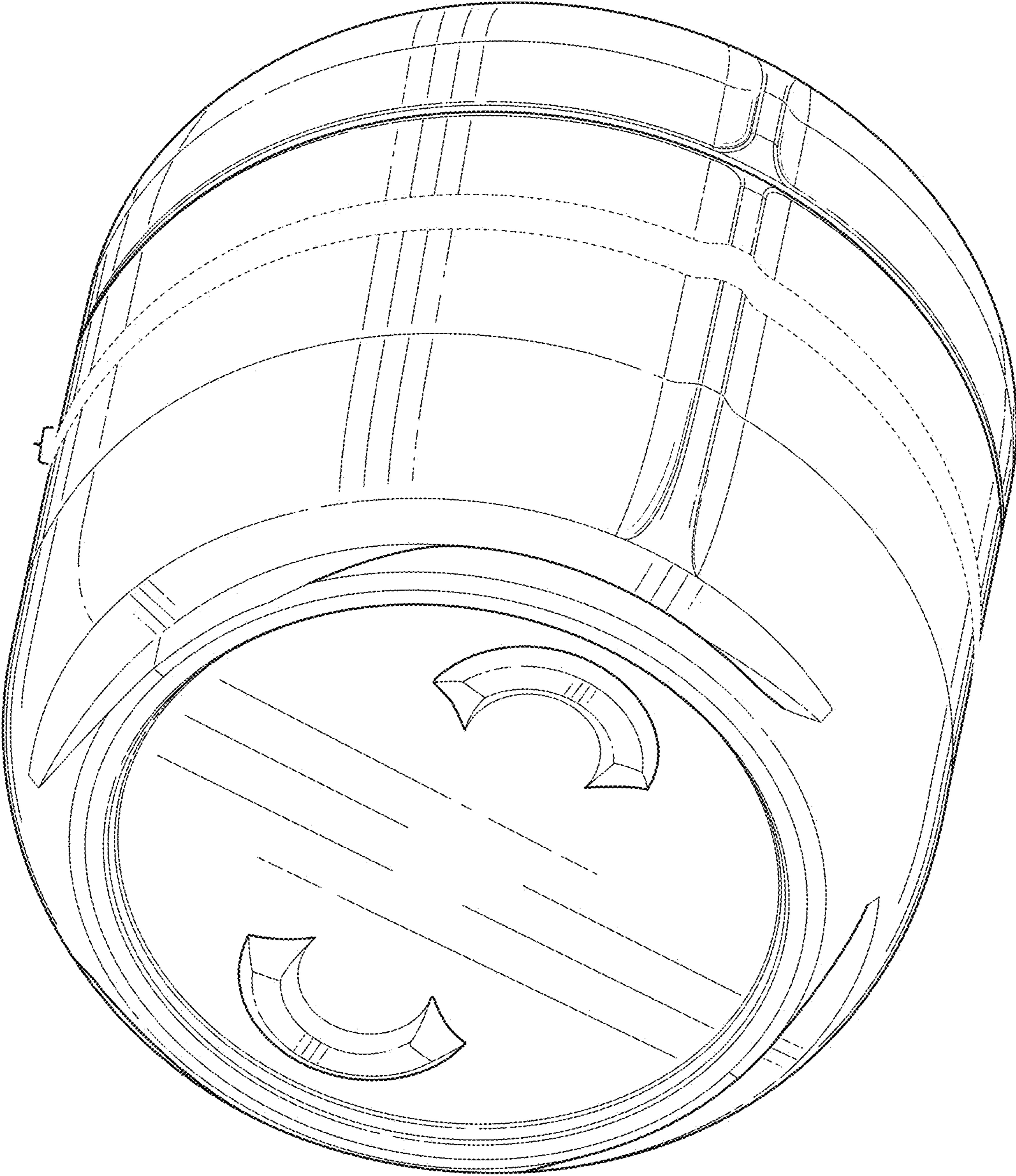


FIG. 2

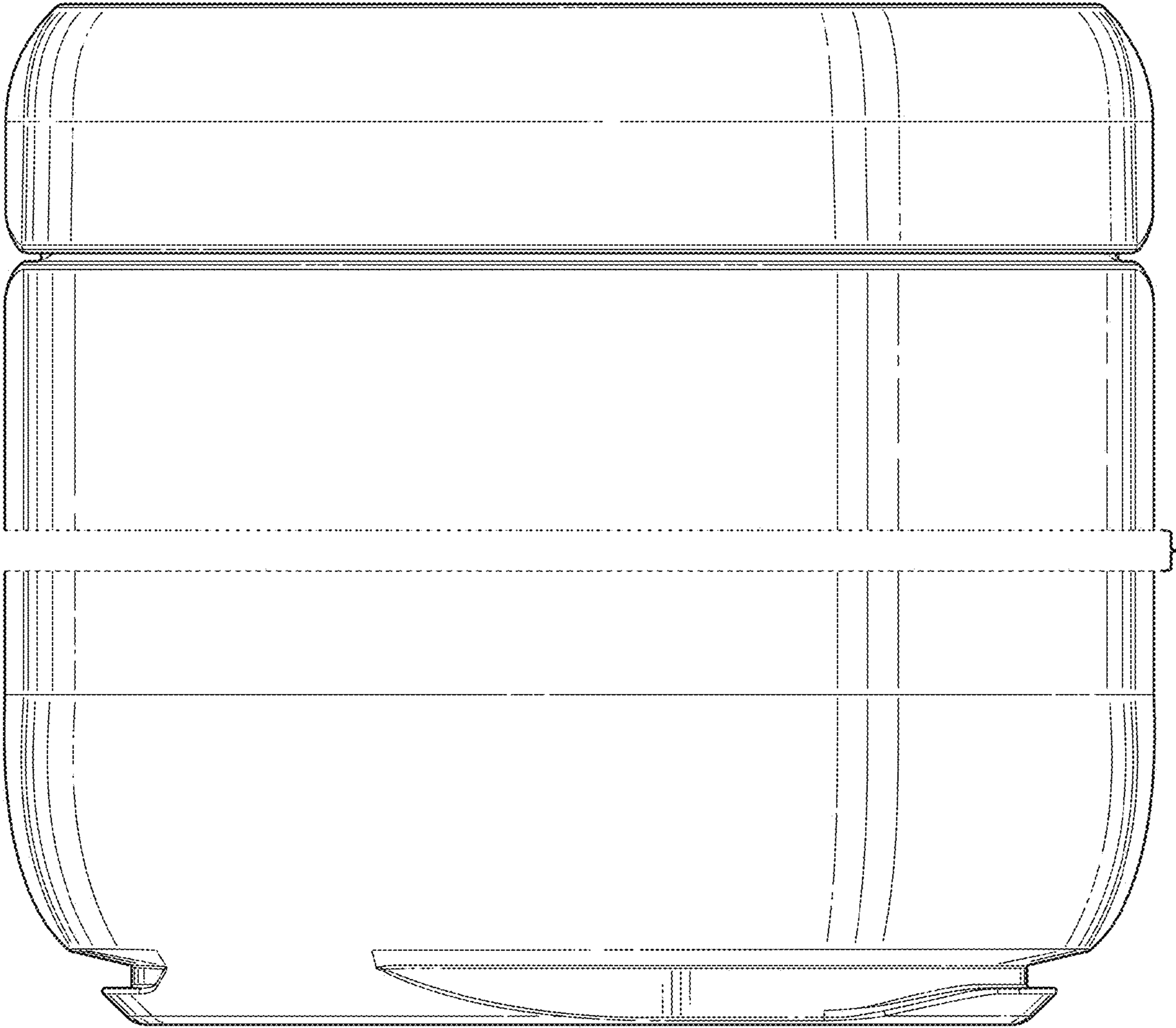


FIG. 3

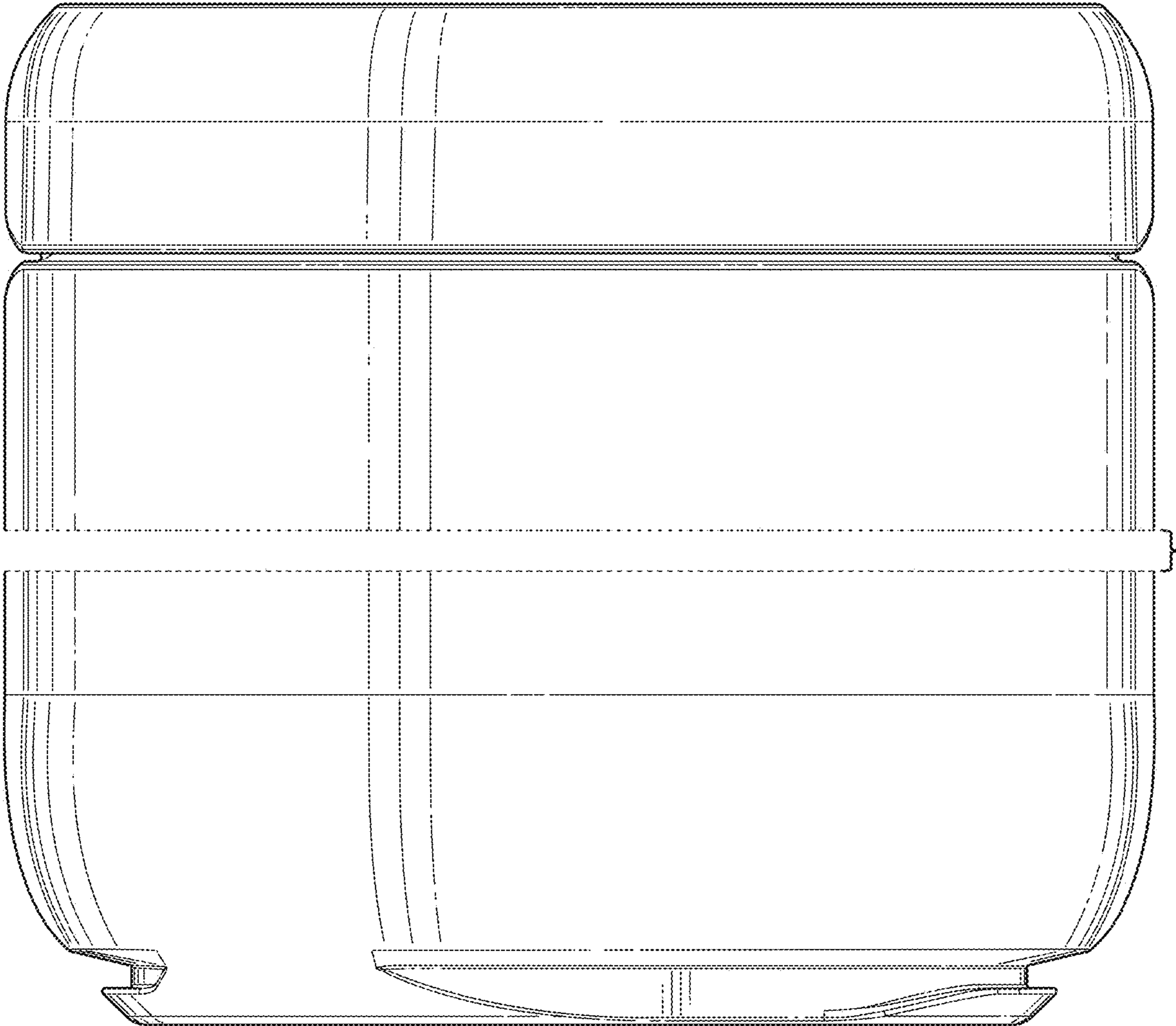


FIG. 4

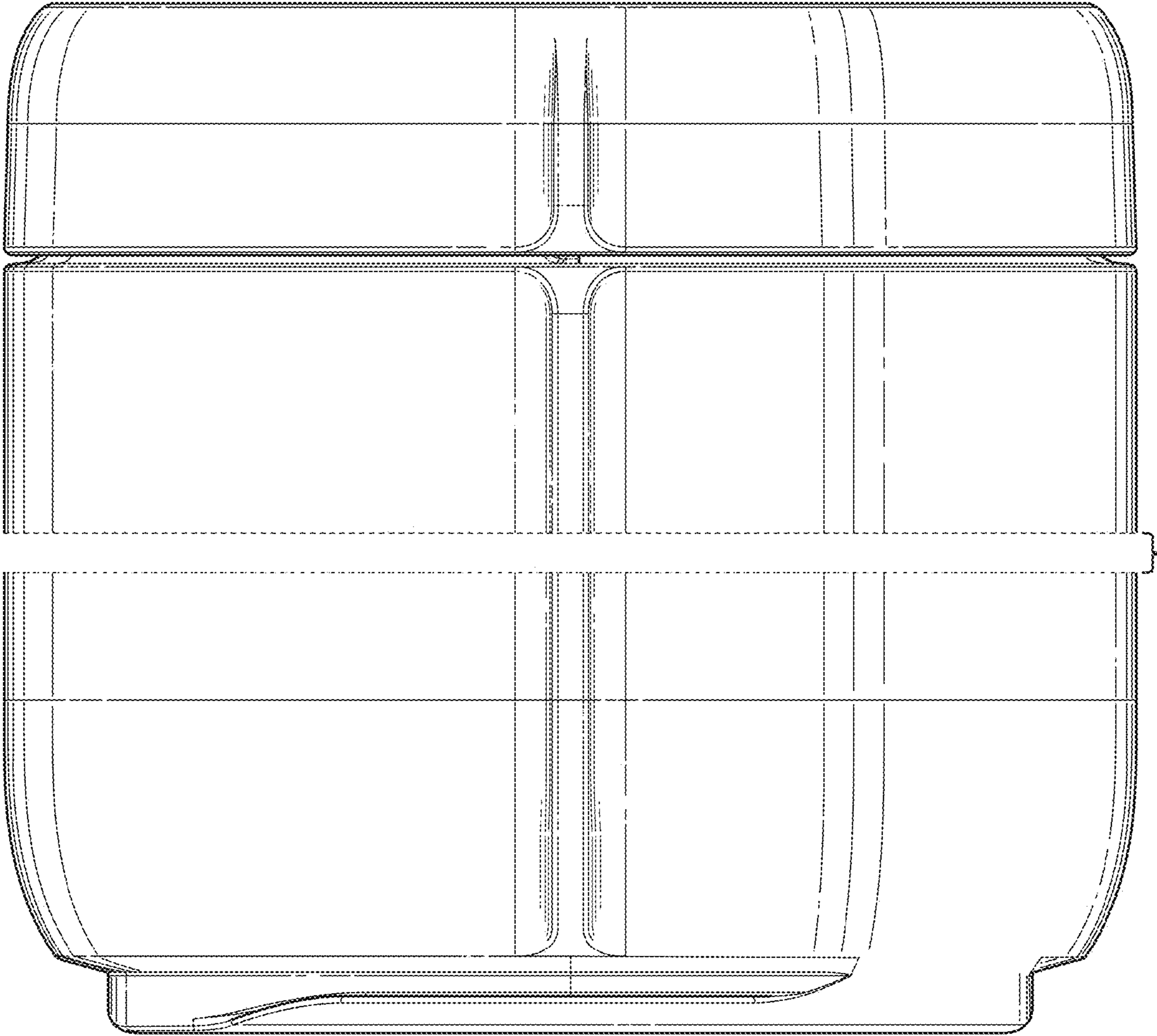


FIG. 5

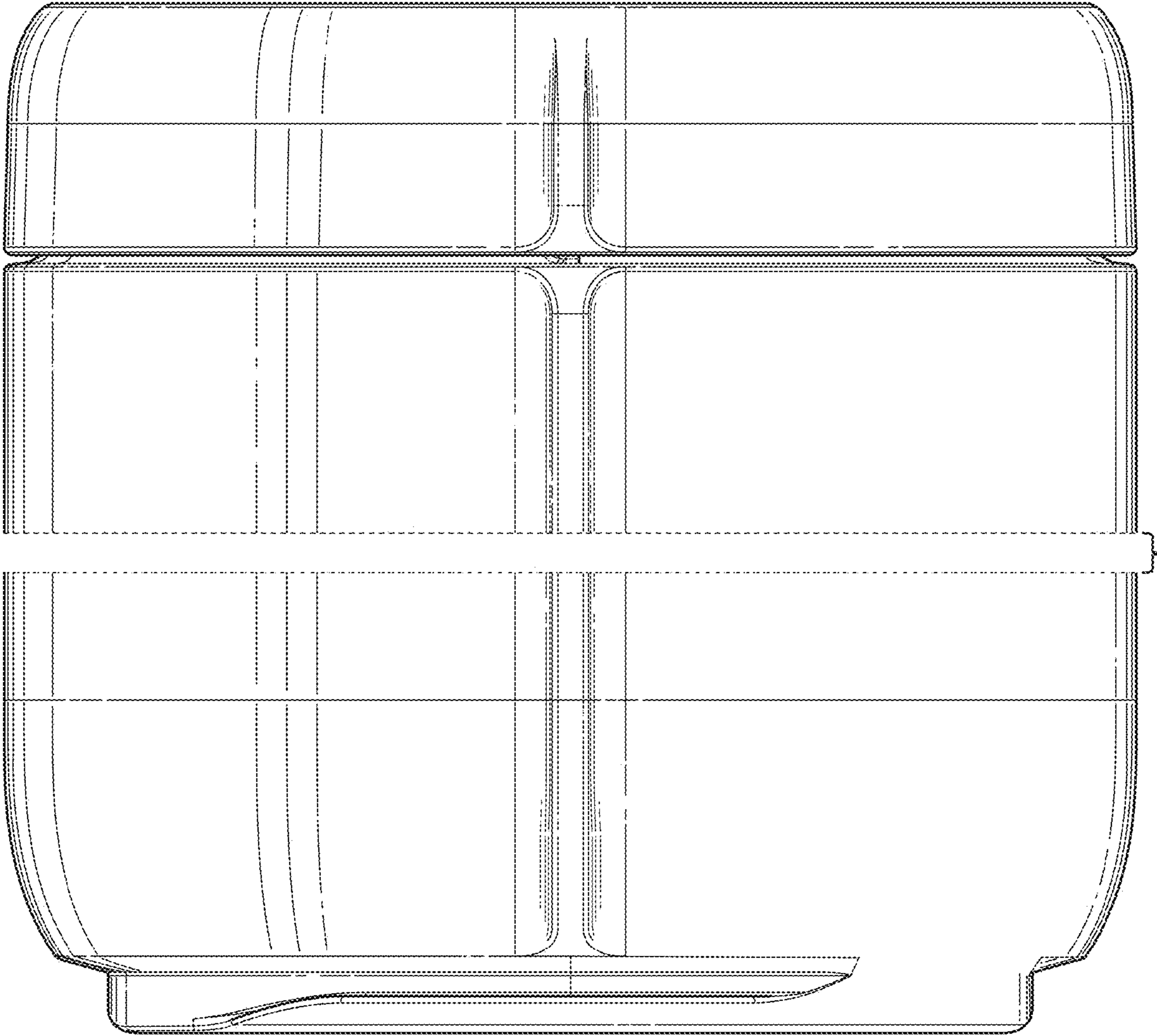


FIG. 6

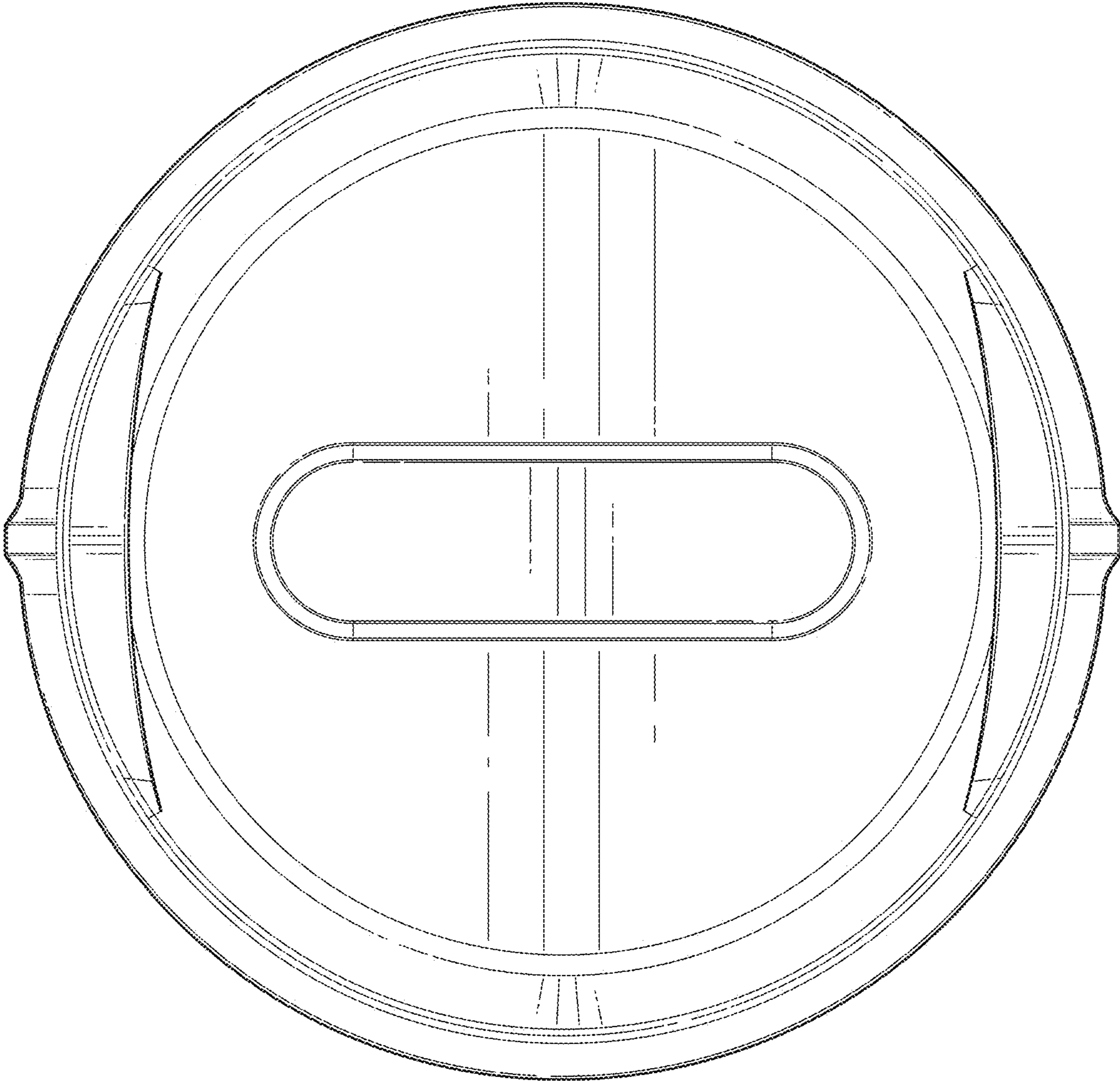


FIG. 7

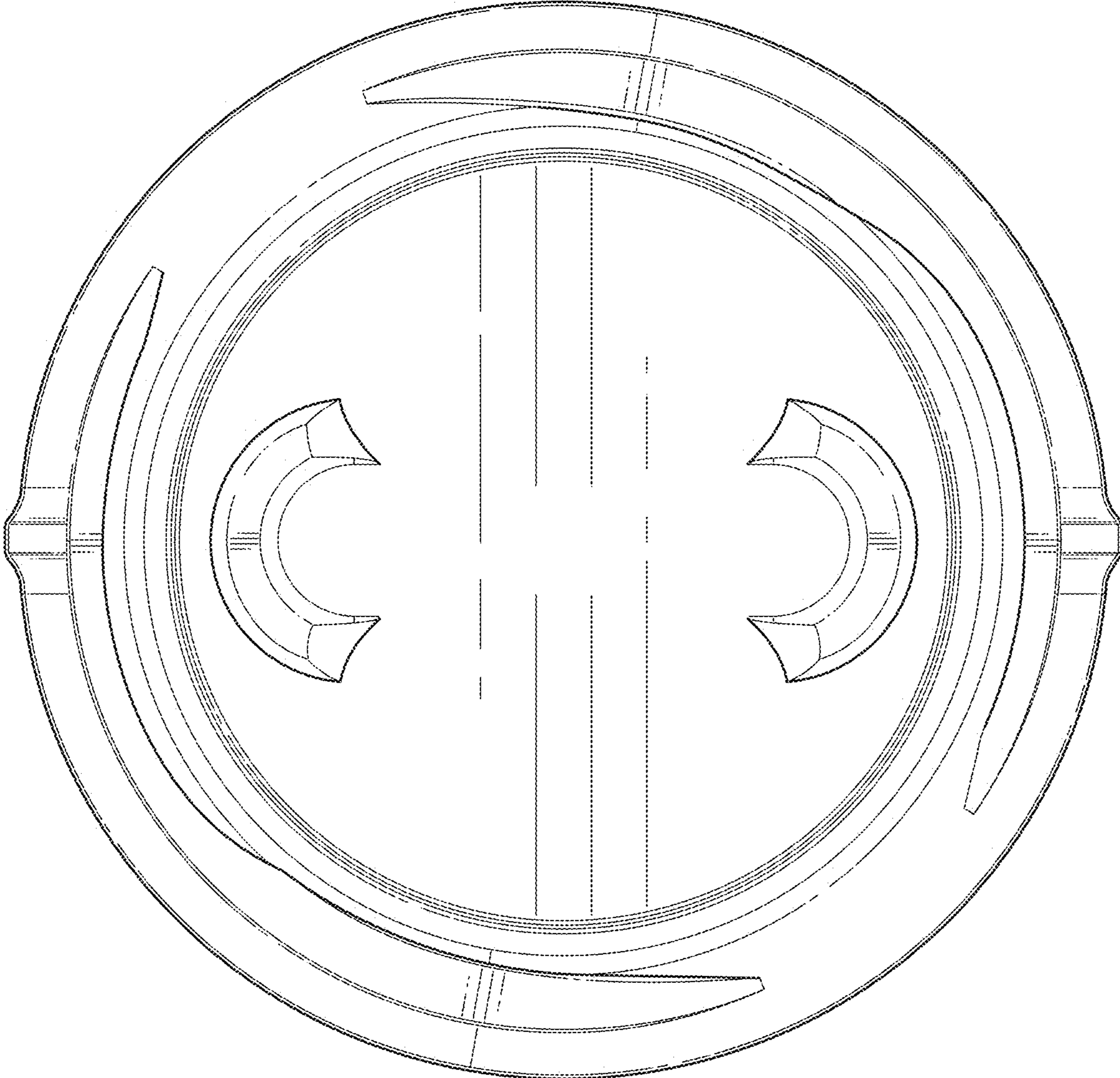


FIG. 8

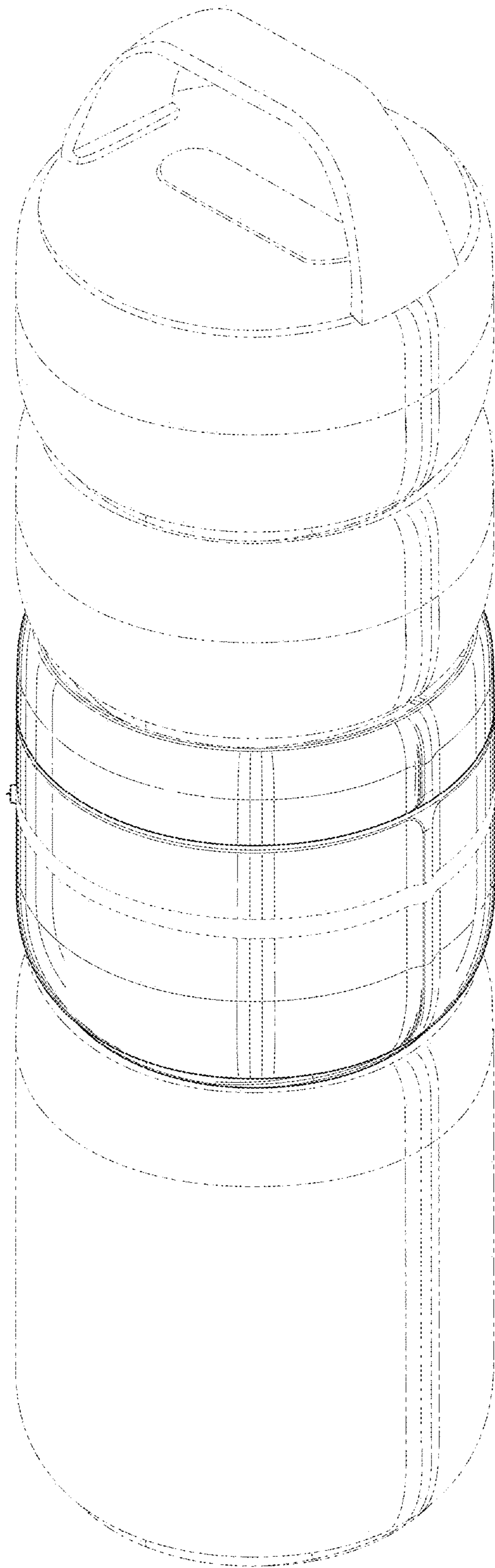


FIG. 9