



US00D931062S

(12) **United States Design Patent** (10) **Patent No.:** **US D931,062 S**
Richardson (45) **Date of Patent:** **** Sep. 21, 2021**

(54) **BOTTLE HOLDER**
(71) Applicant: **Lori Richardson**, Powell, OH (US)
(72) Inventor: **Lori Richardson**, Powell, OH (US)
(**) Term: **15 Years**
(21) Appl. No.: **29/719,218**
(22) Filed: **Jan. 2, 2020**
(51) **LOC (13) Cl.** **07-06**
(52) **U.S. Cl.**
USPC **D7/619.1**
(58) **Field of Classification Search**
USPC D7/619.1-625; D24/199
CPC A47G 23/00; A47G 23/02; A47G 23/0208;
A47G 23/0216; A47G 23/0241; A47B
73/00; A47F 7/28
See application file for complete search history.

(56) **References Cited**

U.S. PATENT DOCUMENTS

1,886,619 A * 11/1932 Arnone A61J 9/0684
248/105
2,348,816 A 5/1944 Hyams
D197,828 S 3/1964 Reis
D198,488 S * 6/1964 Reis D24/199
3,814,293 A * 6/1974 Daves B67D 3/043
222/173
4,515,334 A * 5/1985 Horne A47B 73/00
211/74

(Continued)

OTHER PUBLICATIONS

InterDesign, Fridge Binz Stackable Wine Rack, <https://www.bedbathandbeyond.com/store/product/interdesign-reg-fridge-binz-trade-stackable-wine-rack/1018206382?skuId=18206382&poc=202048>, site visited Apr. 17, 2020.

(Continued)

Primary Examiner — Terry A Wallace
(74) *Attorney, Agent, or Firm* — Standley Law Group LLP

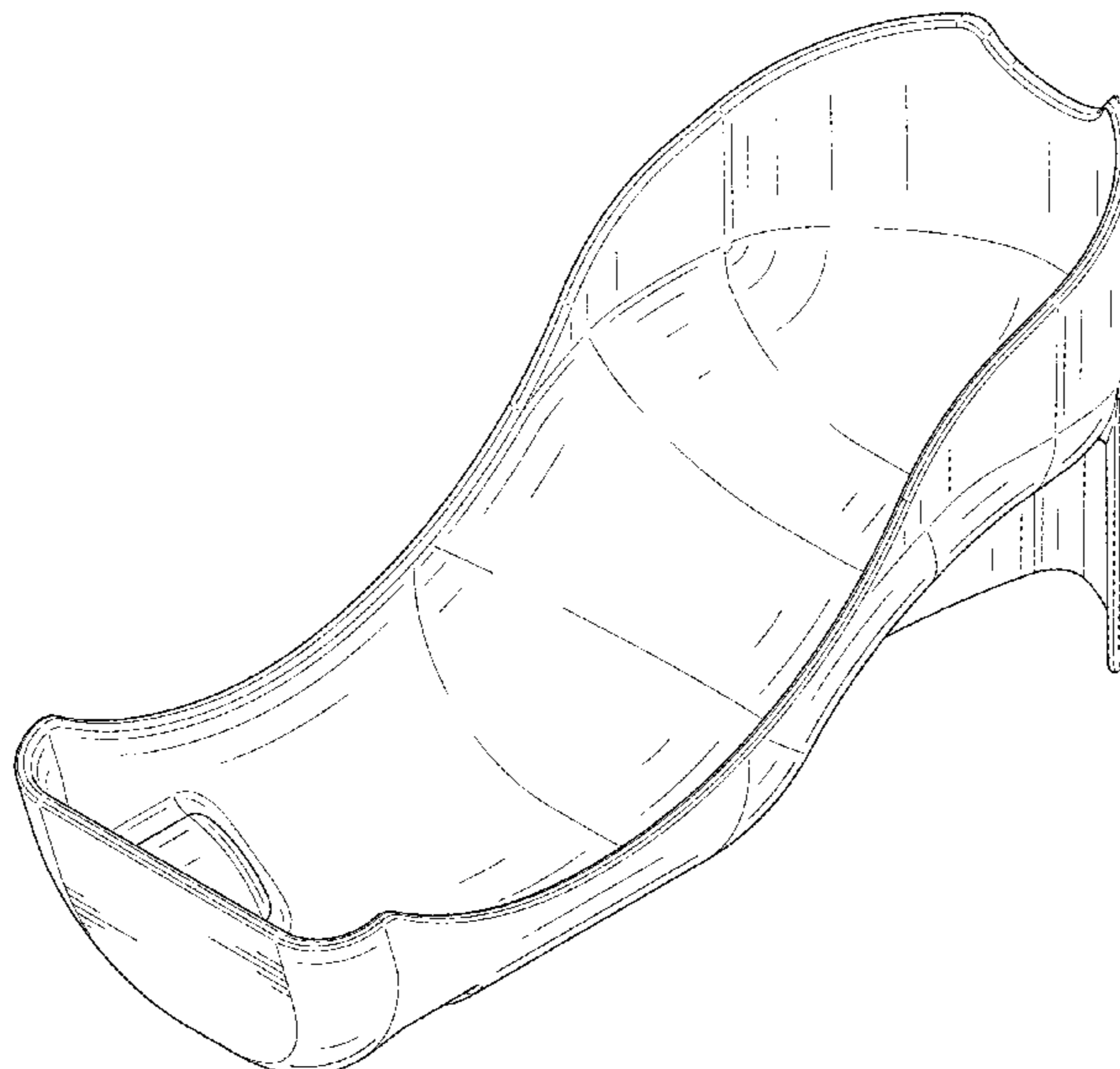
(57) **CLAIM**

The ornamental design for a bottle holder, as shown and described above.

DESCRIPTION

FIG. 1 is a front perspective view of a first exemplary bottle holder of the present invention;
FIG. 2 is a front elevation view of the bottle holder thereof;
FIG. 3 is rear elevation view of the bottle holder thereof;
FIG. 4 is a right-side elevation view of the bottle holder thereof, the left-side elevation view being a mirror image thereof;
FIG. 5 is a top plan view of the bottle holder thereof;
FIG. 6 is a bottom view of the bottle holder thereof;
FIG. 7 is a rear perspective plan view of the bottle holder thereof; and
FIG. 8 is a front perspective view of the bottle holder thereof with a bottle shown in broken lines to provide environment.
FIG. 9 is a front perspective view of a second exemplary bottle holder of the present invention;
FIG. 10 is a front elevation view of the bottle holder thereof;
FIG. 11 is rear elevation view of the bottle holder thereof;
FIG. 12 is a right-side elevation view of the bottle holder thereof, the left-side elevation view being a mirror image thereof;
FIG. 13 is a top plan view of the bottle holder thereof;
FIG. 14 is a bottom view of the bottle holder thereof;
FIG. 15 is a rear perspective plan view of the bottle holder thereof; and,
FIG. 16 is a front perspective view of the bottle holder thereof with a bottle shown in broken lines to provide environment.
The broken lines are for illustration only and form no part of the claimed design.

1 Claim, 14 Drawing Sheets



(56)

References Cited

U.S. PATENT DOCUMENTS

D282,969 S 3/1986 Sukoff
 D310,418 S 9/1990 Tribolet
 D336,005 S * 6/1993 Keup D7/313
 D350,039 S 8/1994 Gener
 D359,804 S 6/1995 Carter
 D361,131 S * 8/1995 Leopold D24/199
 D363,549 S 10/1995 Ye
 5,624,043 A * 4/1997 Baptista A47G 23/0241
 211/60.1
 D379,660 S 6/1997 Aube
 D391,122 S 2/1998 Wu
 D425,375 S * 5/2000 Parham D7/619.1
 D439,671 S 3/2001 Casillo et al.
 D468,489 S * 1/2003 Wechsler D30/132
 6,832,744 B1 12/2004 Pitt
 7,080,743 B1 7/2006 Wolseth
 D536,933 S 2/2007 Perlman
 D553,453 S 10/2007 Toth
 7,275,662 B1 10/2007 Milcetch

D562,081 S 2/2008 Ambach
 D578,355 S 10/2008 Arbey
 D580,230 S * 11/2008 Arney D7/601
 D583,630 S 12/2008 Goodman et al.
 D657,656 S 4/2012 Lindenmayer
 D664,403 S 7/2012 Paulson
 D793,774 S 8/2017 Kelly
 D807,694 S 1/2018 Jewett
 D829,510 S 10/2018 Harms
 D850,793 S 6/2019 Waldner
 D873,427 S 1/2020 Murphy et al.
 2015/0083880 A1 3/2015 Berry
 2020/0031516 A1 1/2020 Kuhn

OTHER PUBLICATIONS

Sorbus, Fridge Wine Rack, <https://www.walmart.com/ip/Sorbus-Fridge-Wine-Rack-Refrigerator-Bottle-Rack-Holds-3-Bottles-of-Your-Favorite-Wine-or-Drink-Universal-Bottle-Holder-Will-Fit-Most-Fridges/49455897>, site visited Apr. 17, 2020.

* cited by examiner

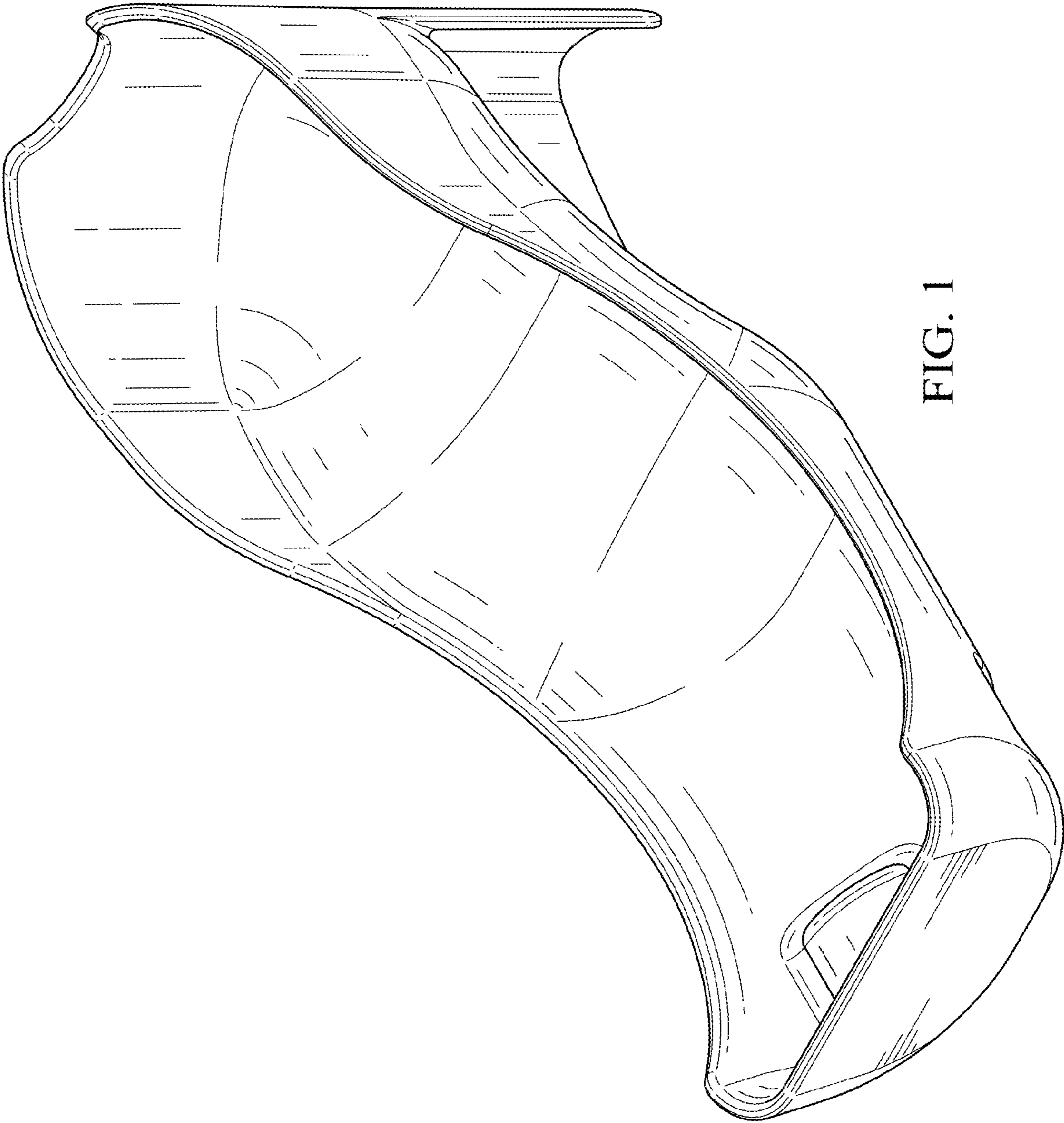


FIG. 1

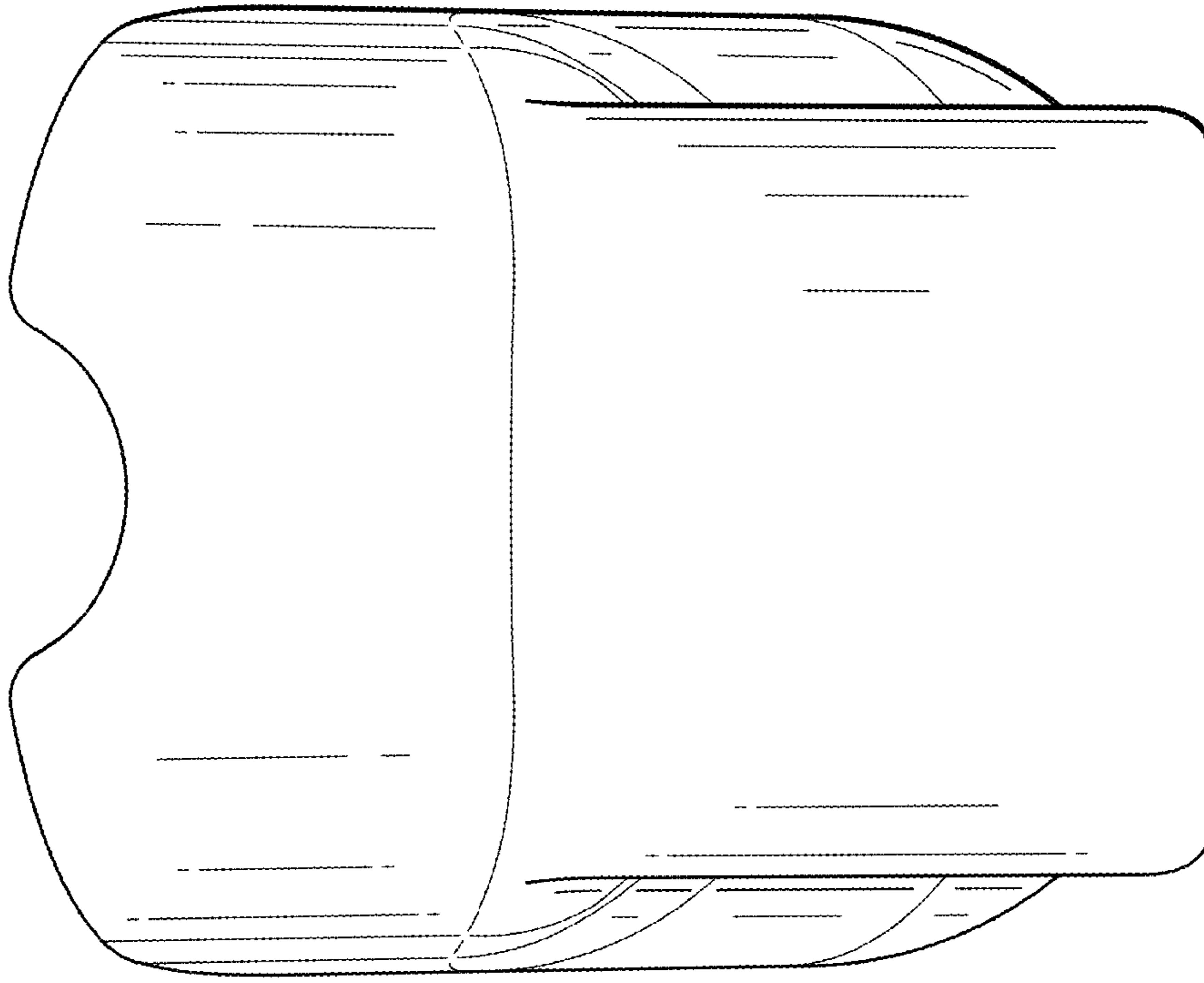


FIG. 3

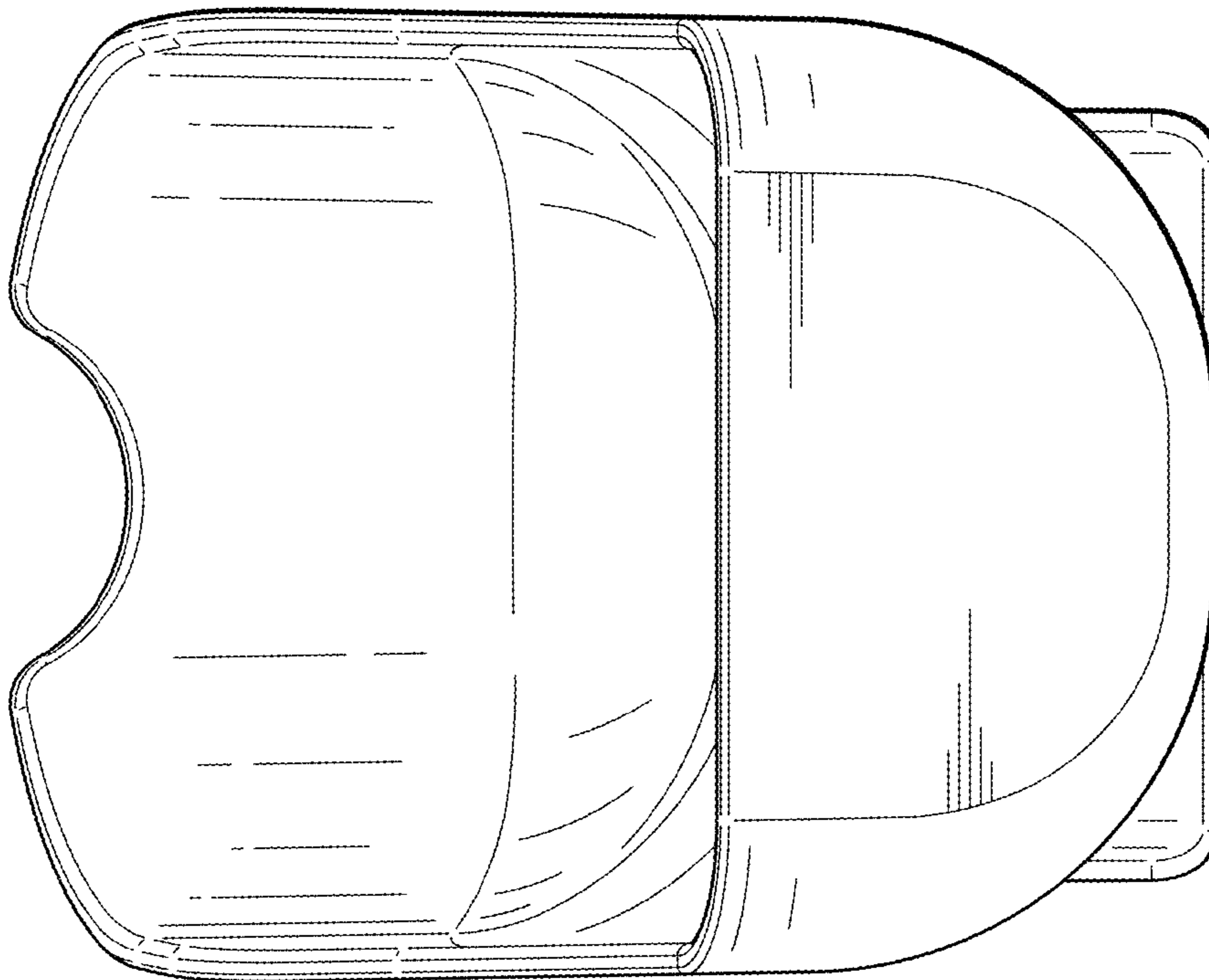


FIG. 2



FIG. 4

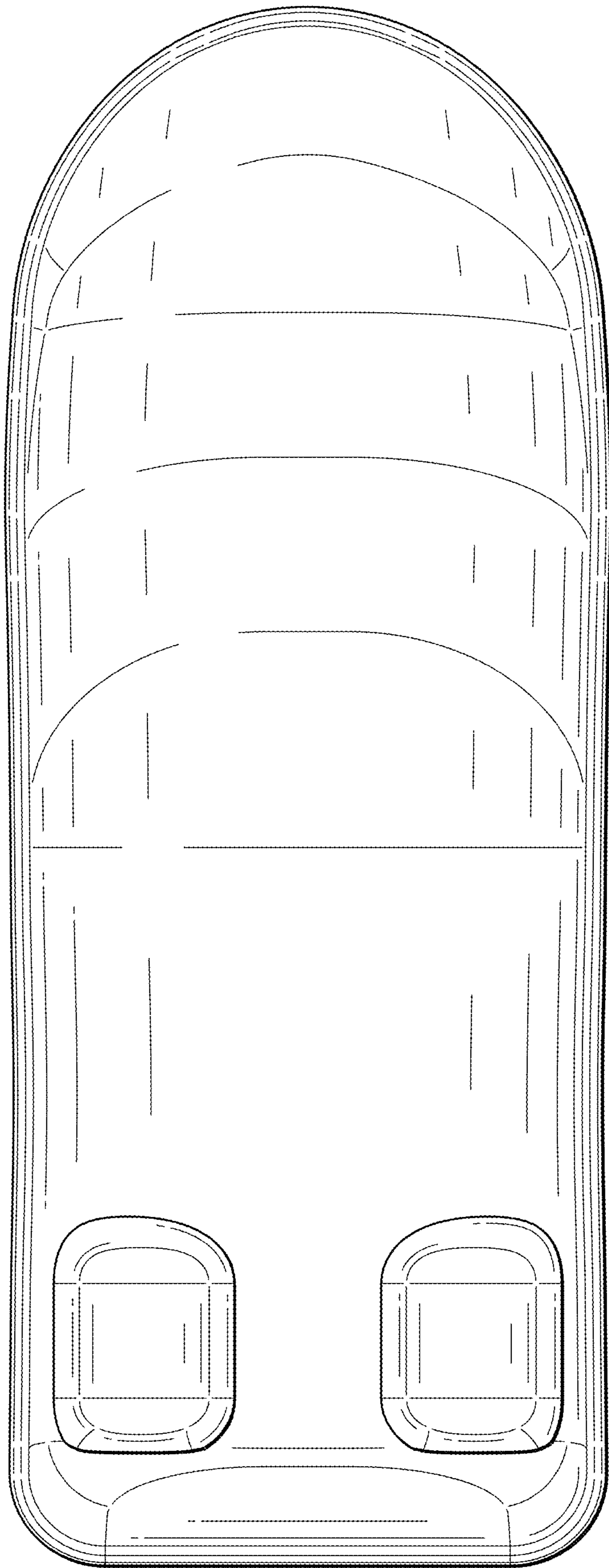


FIG. 5

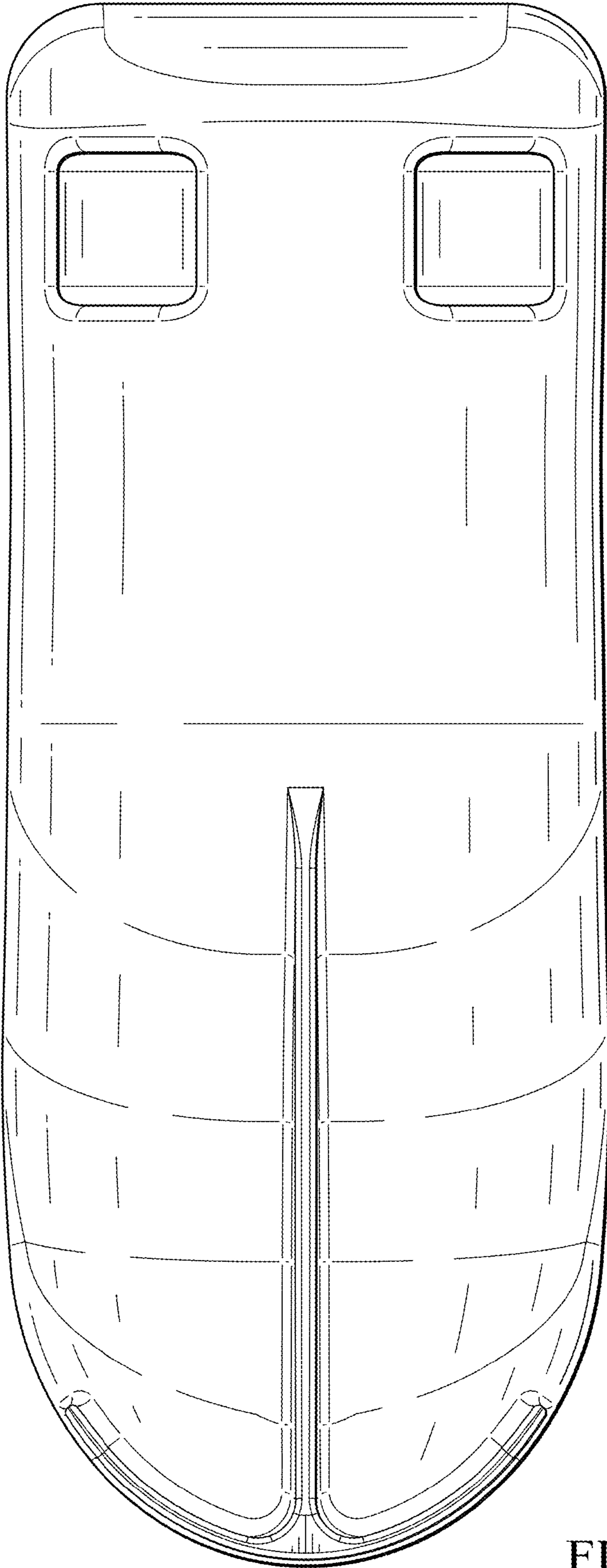


FIG. 6

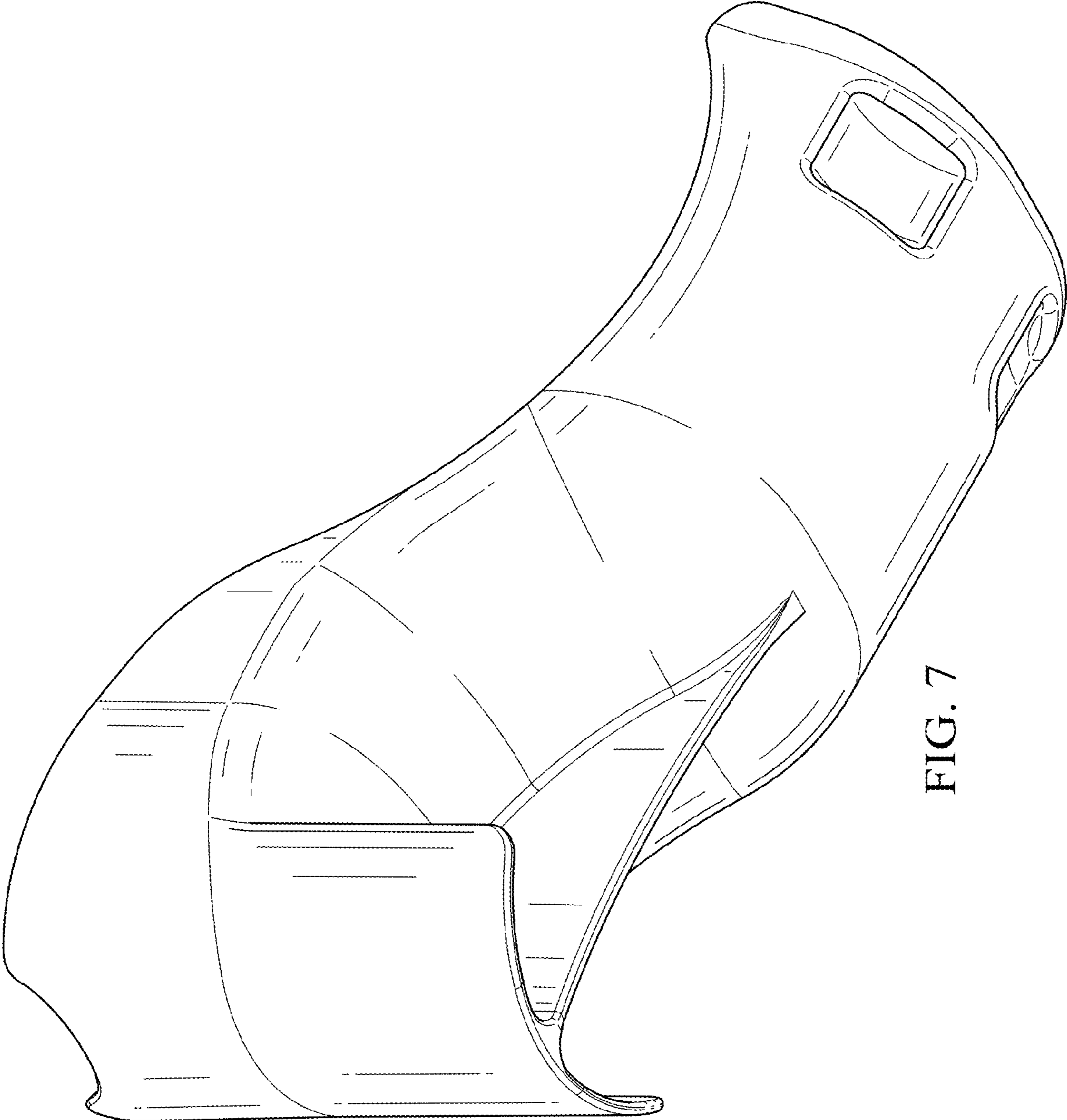


FIG. 7

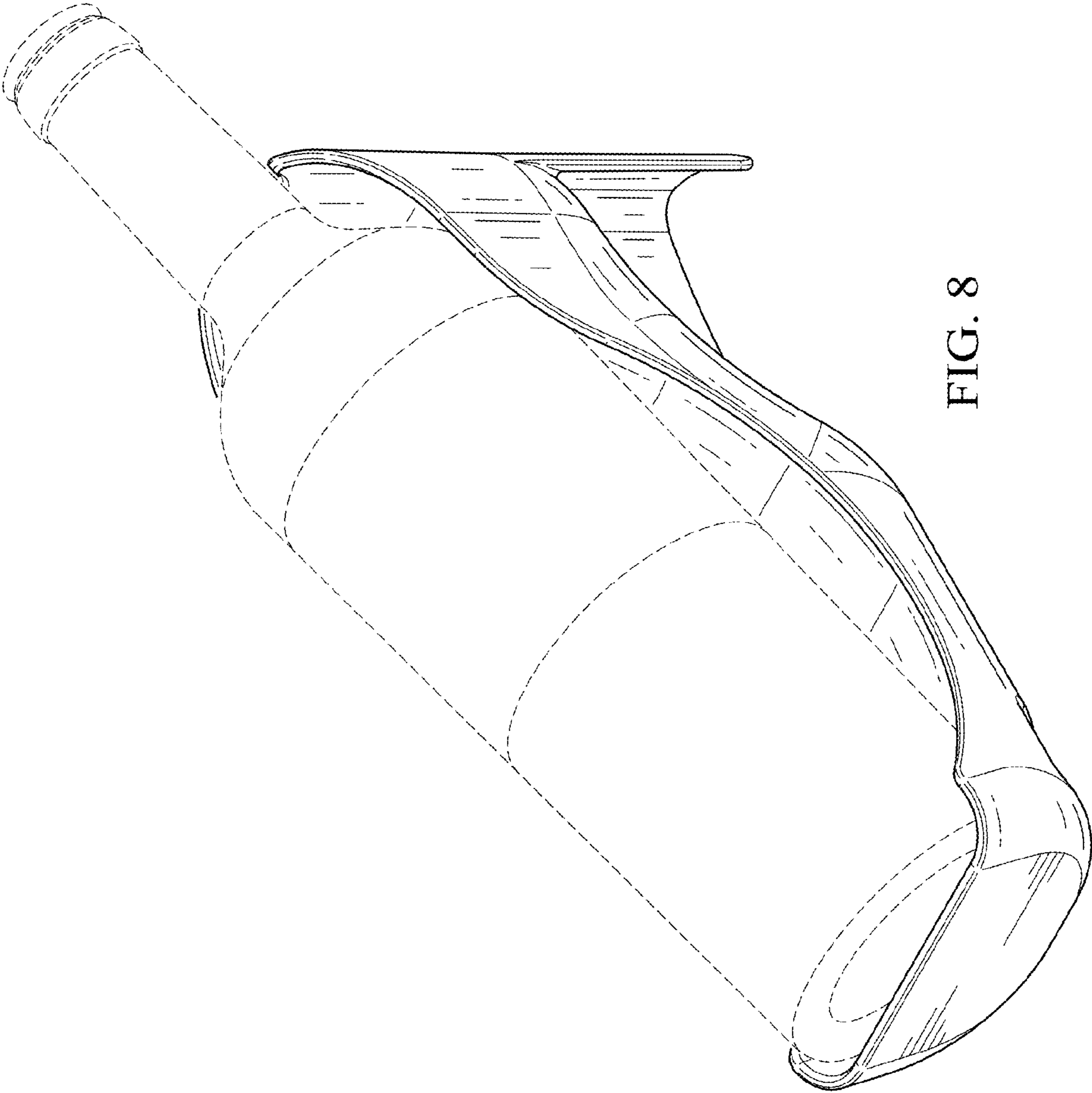


FIG. 8

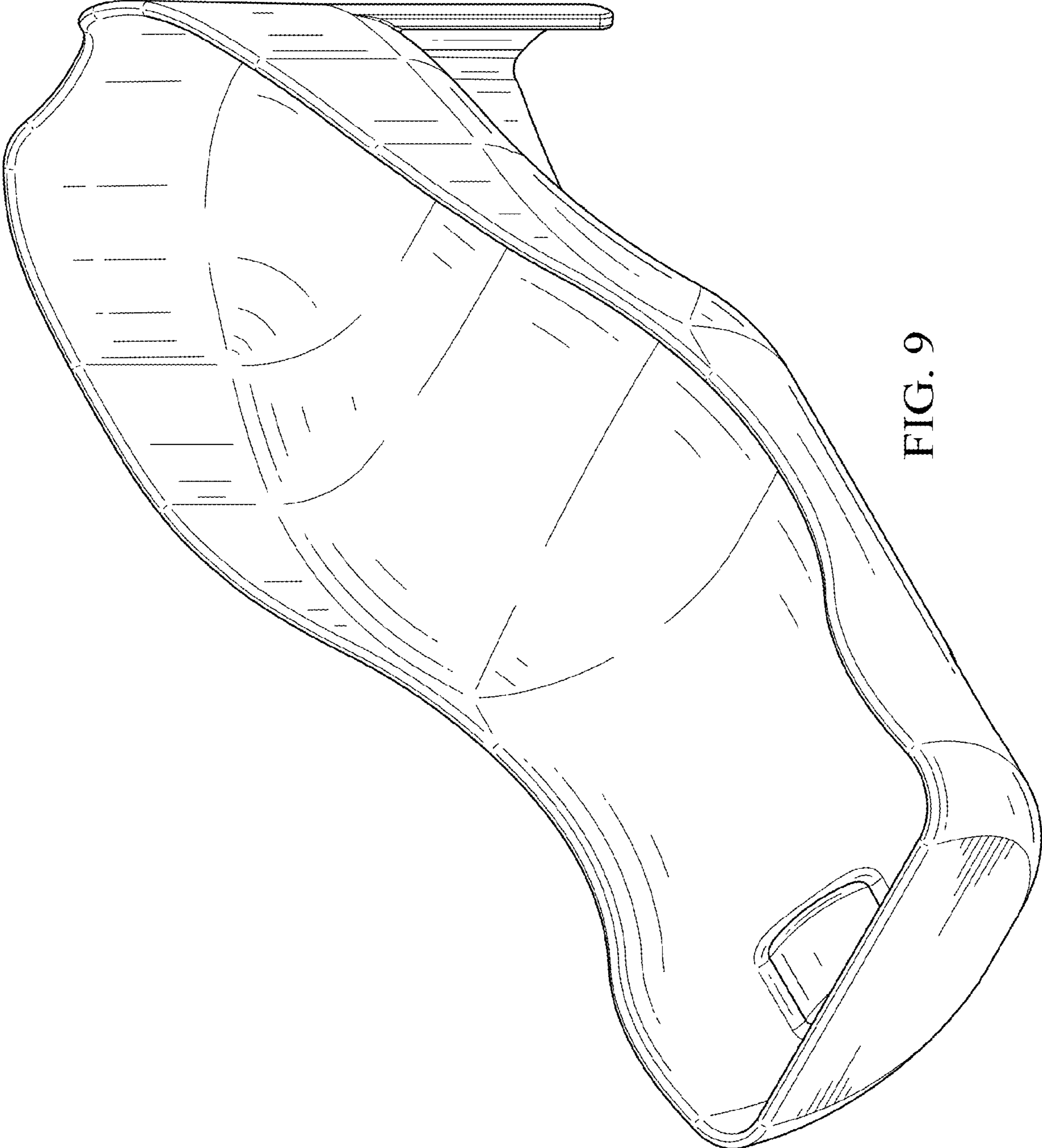


FIG. 9

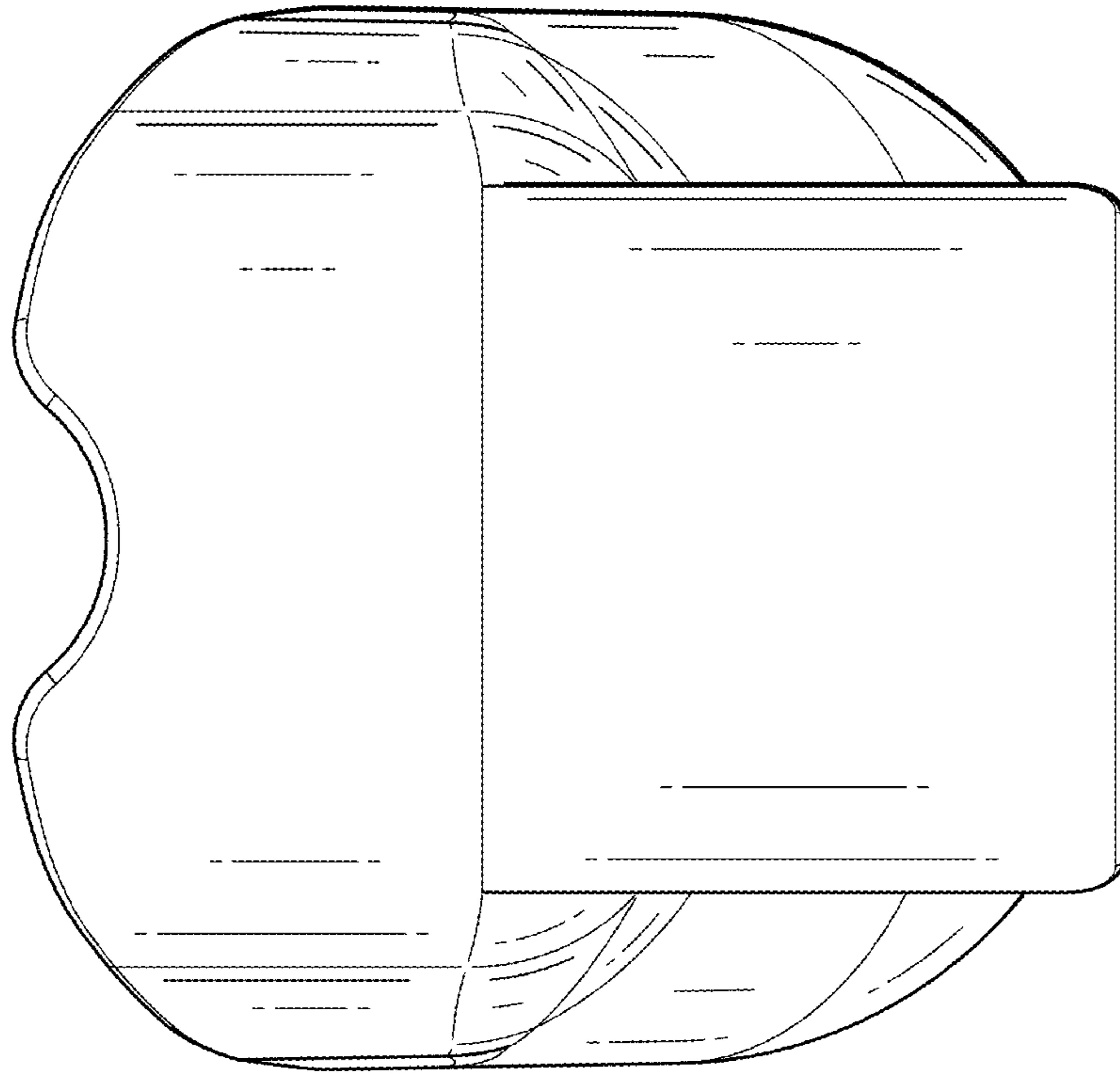


FIG. 11

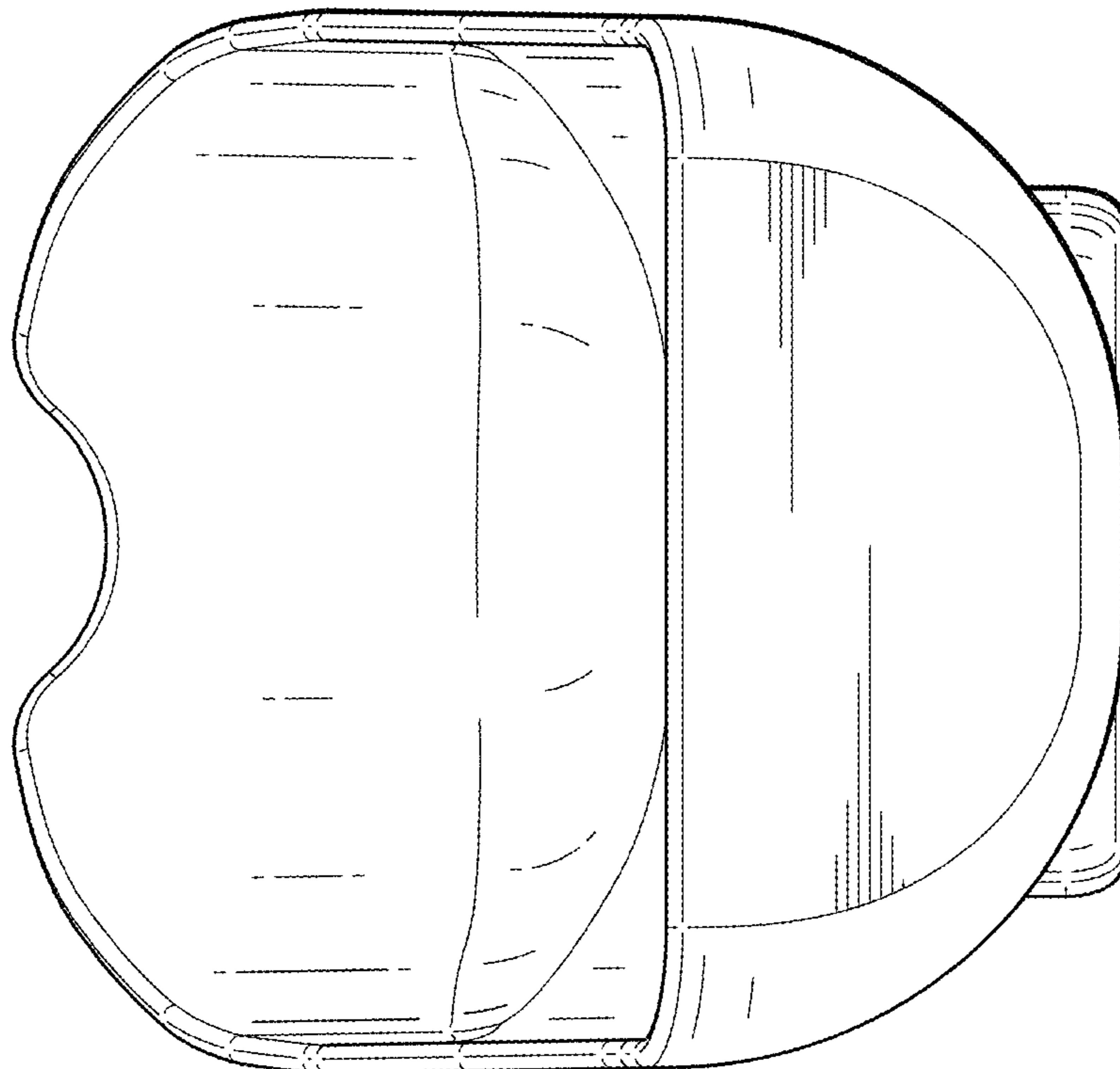


FIG. 10

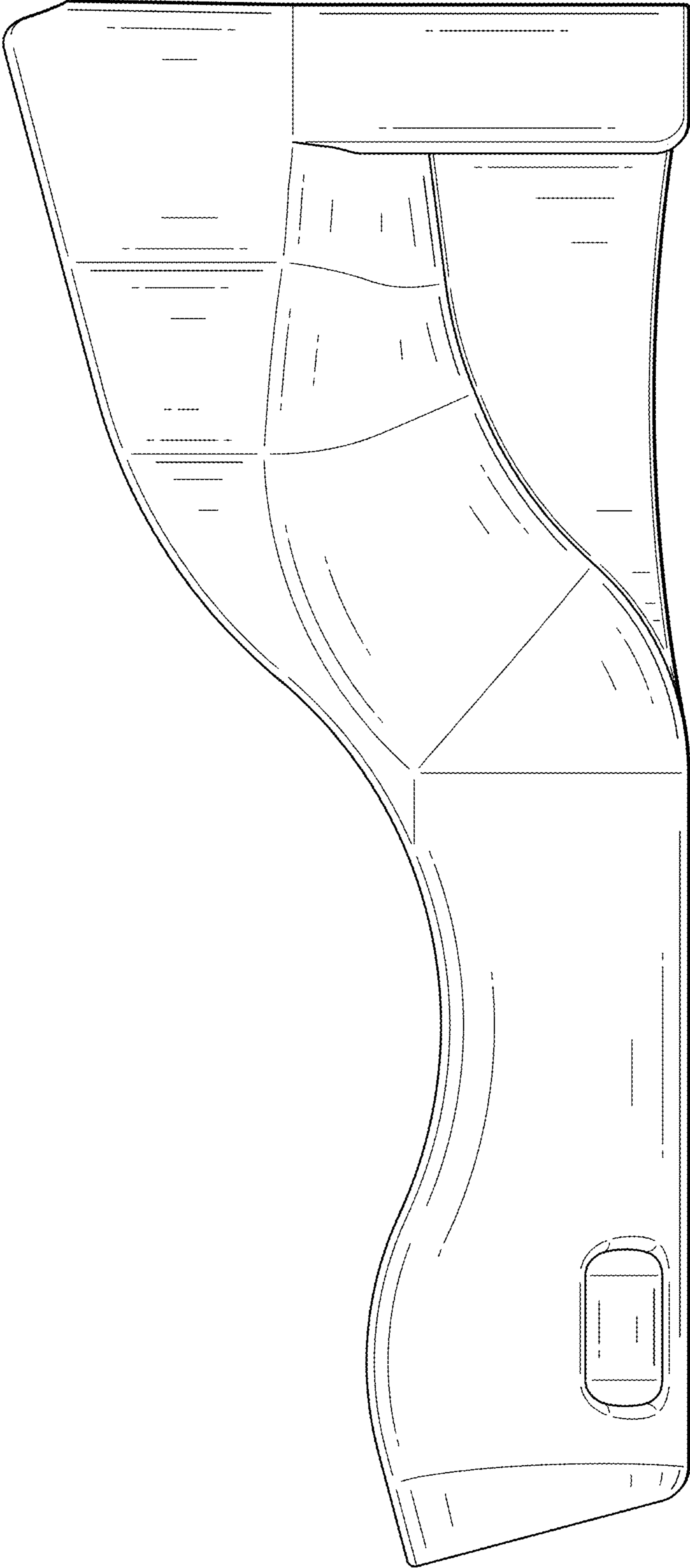


FIG. 12

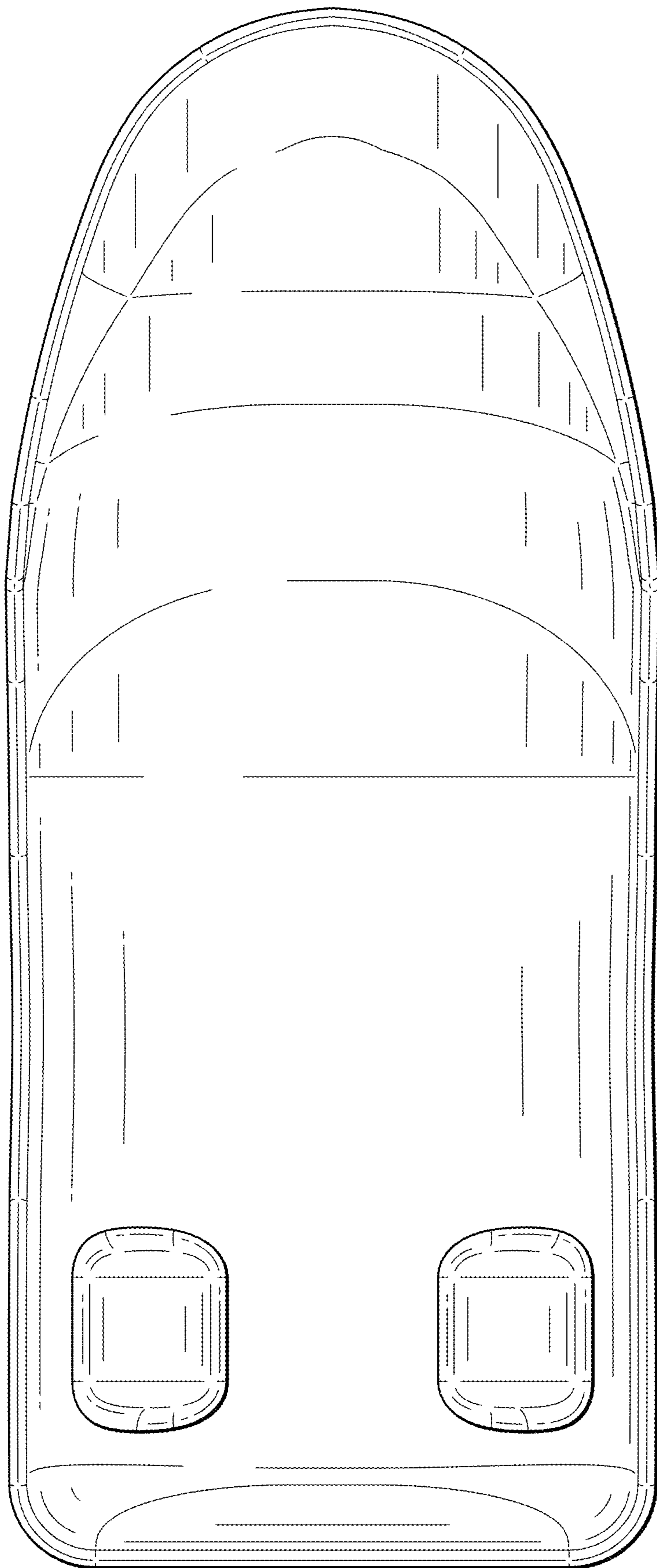


FIG. 13

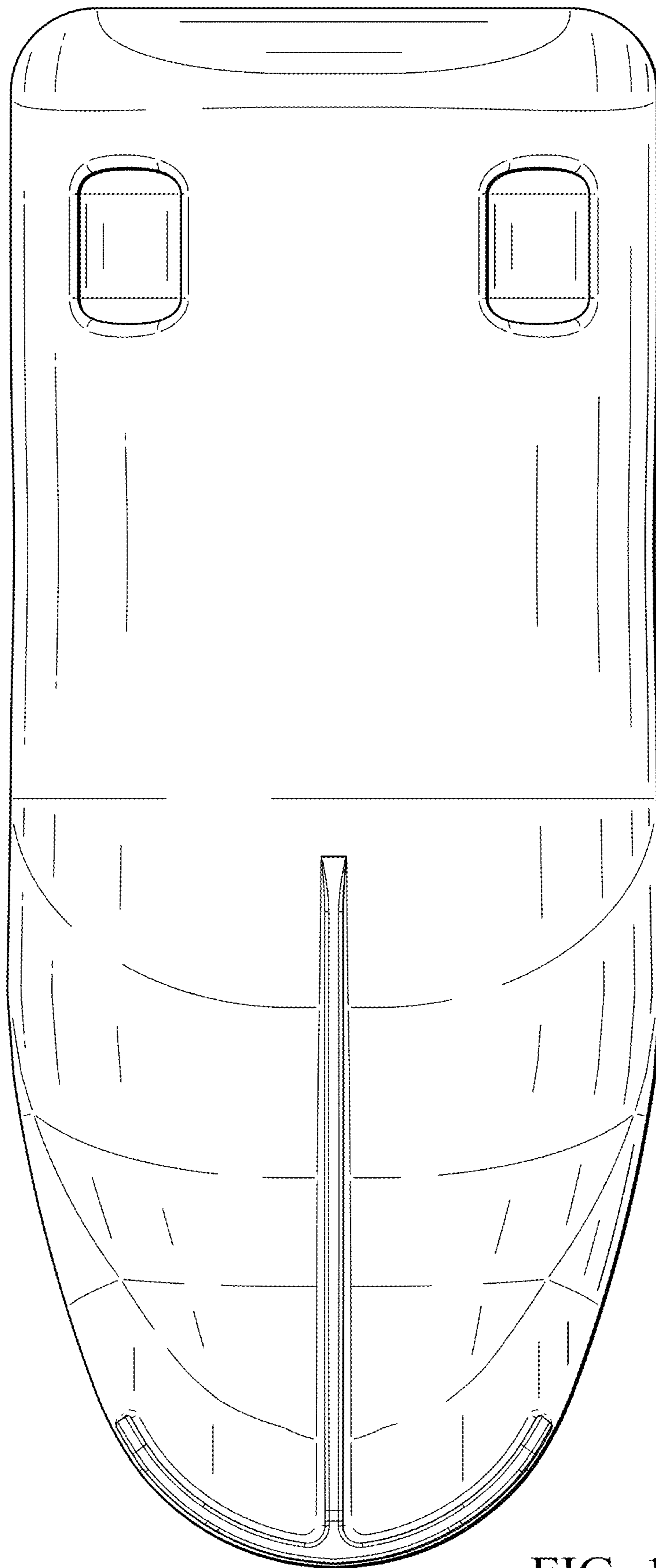


FIG. 14

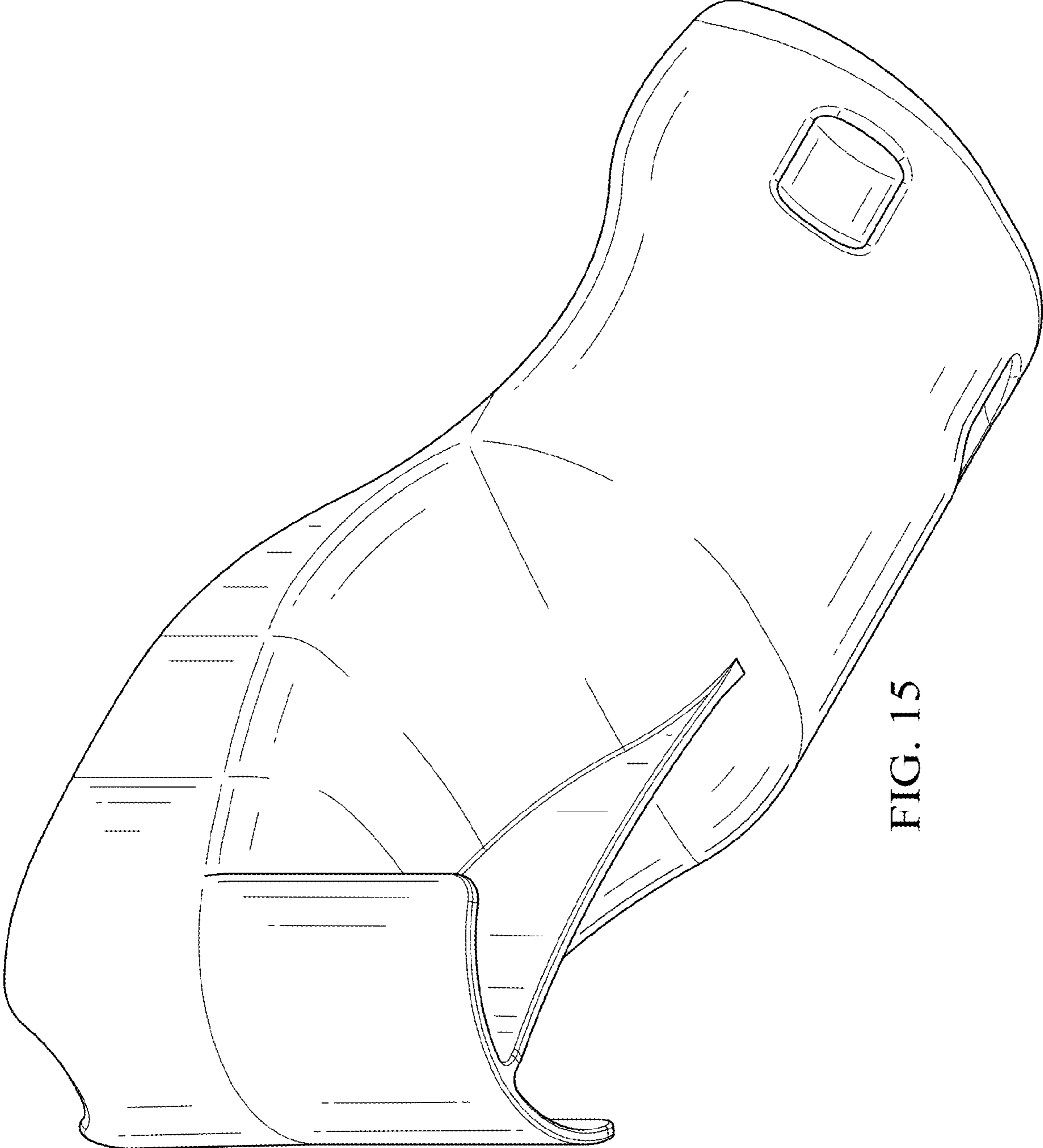


FIG. 15

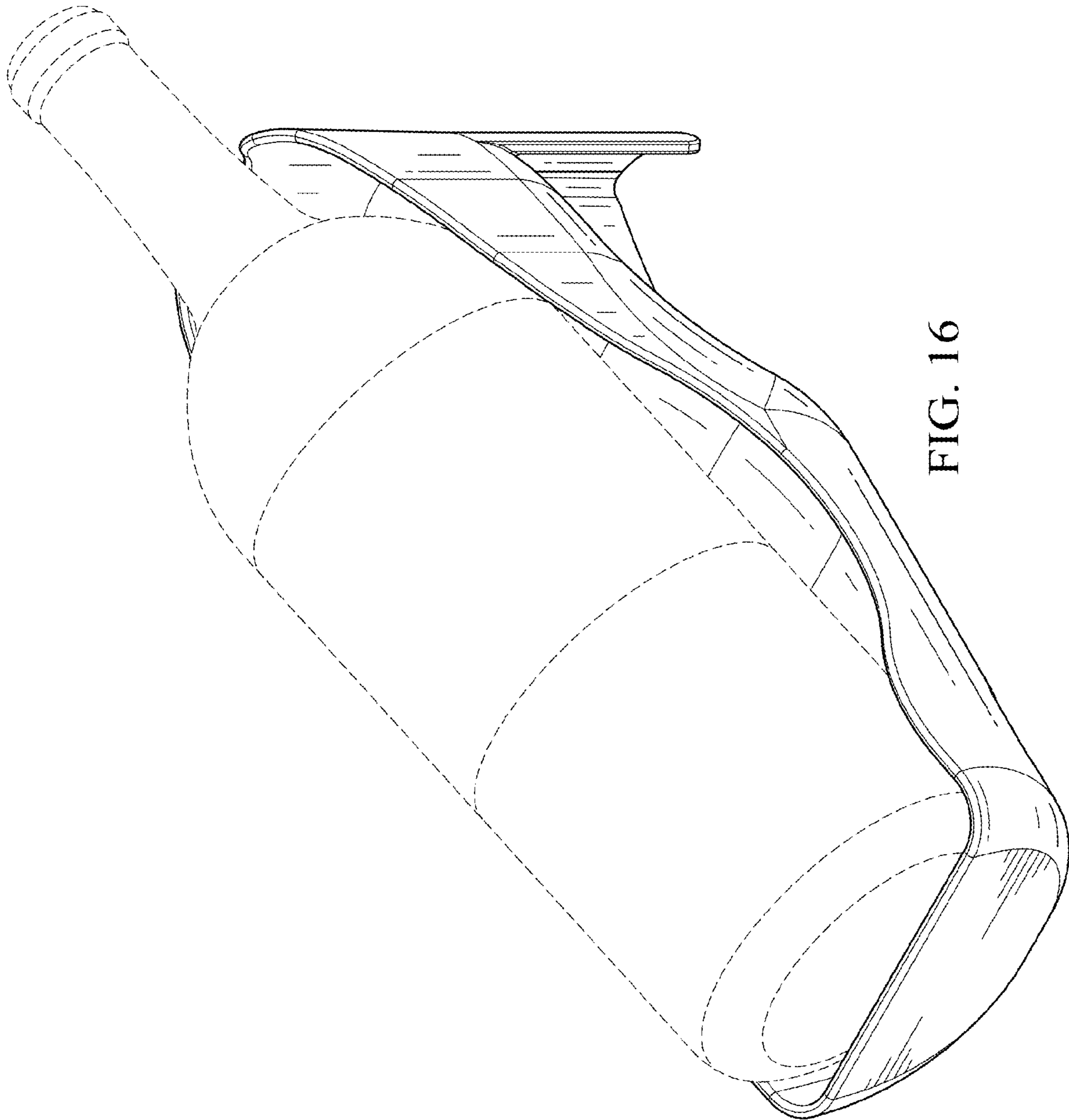


FIG. 16