



US00D931058S

(12) **United States Design Patent**
Hamilton

(10) **Patent No.:** **US D931,058 S**

(45) **Date of Patent:** **** Sep. 21, 2021**

- (54) **COOLER TRAY**
- (71) Applicant: **William Todd Hamilton**, Brentwood, TN (US)
- (72) Inventor: **William Todd Hamilton**, Brentwood, TN (US)
- (**) Term: **15 Years**
- (21) Appl. No.: **29/720,955**
- (22) Filed: **Jan. 16, 2020**
- (51) **LOC (13) Cl.** **07-01**
- (52) **U.S. Cl.**
USPC **D7/605; D7/554.3**
- (58) **Field of Classification Search**
USPC D7/605, 608, 554.3; D15/89, 90
CPC ... F25D 21/14; F25D 3/08; F25D 3/02; F25D 3/04; F25D 3/06; F25D 3/14; F25D 3/107; F25D 2331/804; F25D 2331/801; B65D 81/38; B65D 81/3813; B65D 81/3816; B65D 81/3818; B65D 81/382; B65D 81/3823; B65D 81/3825; B65D 81/3827; B65D 81/383; B65D 81/3832; B65D 81/3834; B65D 81/3848; B65D 81/3851; B65D 81/3853; B65D 81/3855; B65D 81/3858; B65D 81/386; B65D 81/3862; B65D 81/3874; A45C 11/20; A45C 3/00; A45C 2003/008
See application file for complete search history.

- 6,126,124 A * 10/2000 Wagner A45C 11/20 248/127
- D448,249 S 9/2001 DeCastro
- 6,405,557 B1 6/2002 DeCastro
- 6,490,880 B1 * 12/2002 Walsh A01N 1/02 62/371
- 6,626,006 B1 * 9/2003 Tedder F25D 3/08 220/915.2
- 6,691,884 B1 2/2004 Dwyer
- D493,256 S * 7/2004 Kim D24/230
- 6,763,678 B2 * 7/2004 Harper F25D 3/08 62/461
- 7,013,670 B2 * 3/2006 Gonzalez F25D 3/14 62/384
- 7,313,928 B2 * 1/2008 Girard F25D 3/08 62/457.7
- 7,628,033 B1 * 12/2009 Skeels F25D 3/08 62/371
- 8,065,889 B1 * 11/2011 Silberman F25D 3/08 62/457.7
- D689,327 S * 9/2013 Ortegon D7/354
- D708,911 S 7/2014 Rodriguez

(Continued)

Primary Examiner — Terry A Wallace
(74) *Attorney, Agent, or Firm* — Ross Brandborg

(57) **CLAIM**

I claim the ornamental design of a cooler tray, as shown and described.

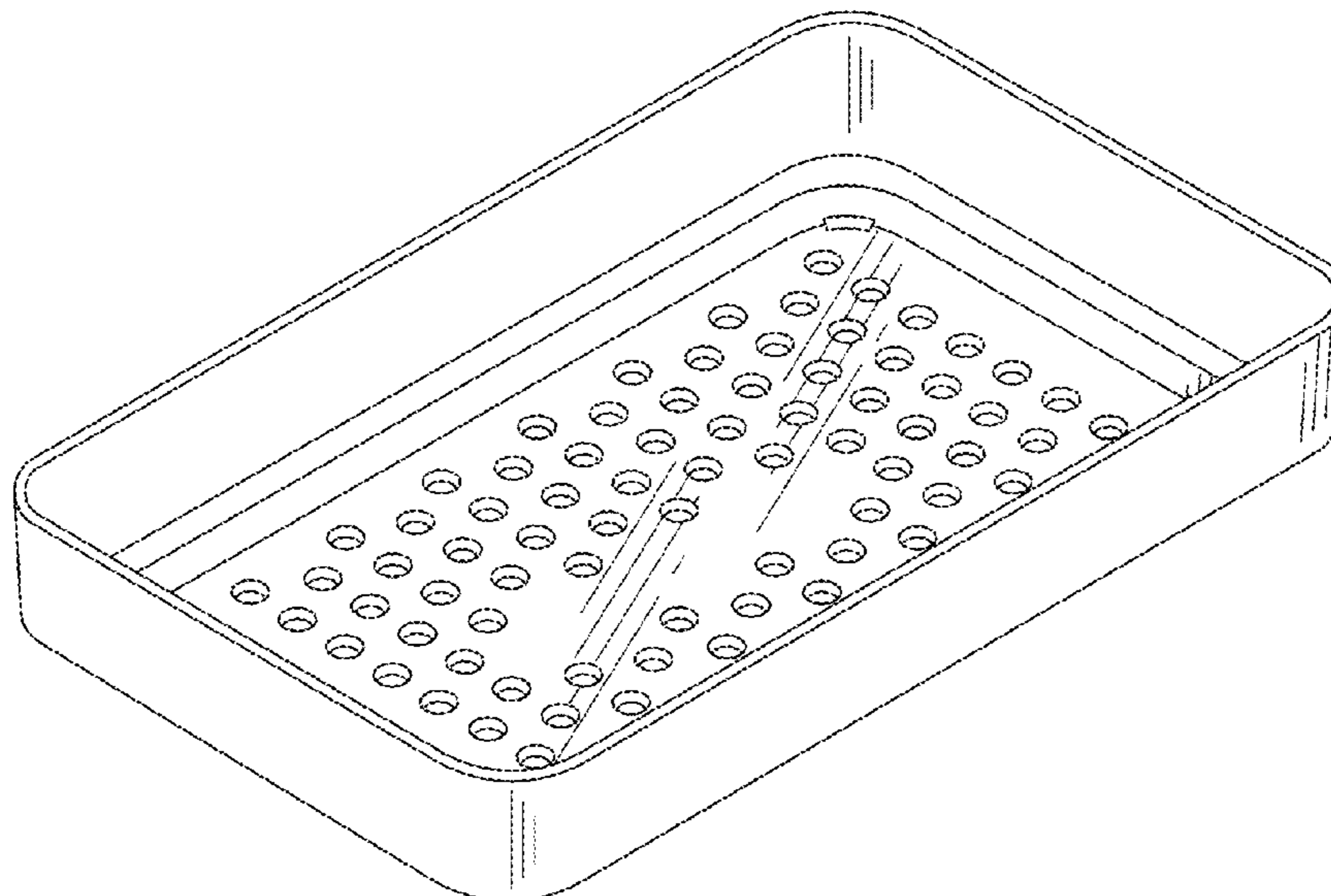
DESCRIPTION

FIG. 1 shows a perspective view of the invention; FIG. 2 shows a side view thereof; FIG. 3 shows a front view thereof; FIG. 4 shows a bottom view thereof; and, FIG. 5 shows a top view thereof. Certain lines are presented herein to provide shading in order to provide a fuller understanding of the invention. Such shading lines form no part of the claimed design. Certain features are presented in broken lines to show fold lines and form no part of the claimed design.

1 Claim, 5 Drawing Sheets

(56) **References Cited**
U.S. PATENT DOCUMENTS

- 4,424,687 A * 1/1984 Morgan F25D 3/08 62/457.1
- D352,516 S * 11/1994 Newman D24/218
- D377,028 S * 12/1996 Monday D15/90
- 5,931,019 A * 8/1999 White F25D 3/08 62/457.7



(56)

References Cited

U.S. PATENT DOCUMENTS

D709,336 S * 7/2014 Liebenthal D7/605
D767,341 S * 9/2016 Koempel D7/554.3

* cited by examiner

FIG.1

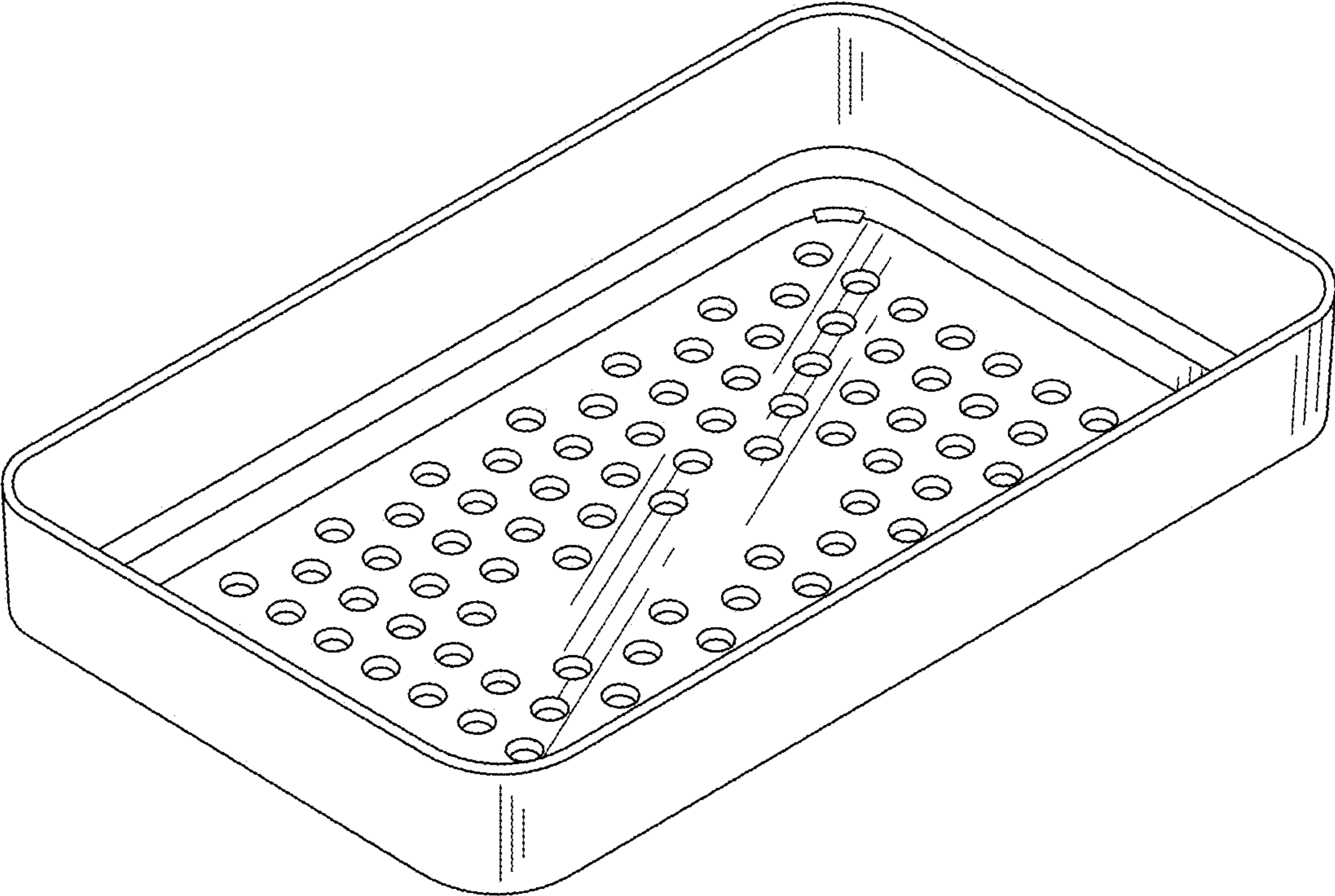


FIG.2

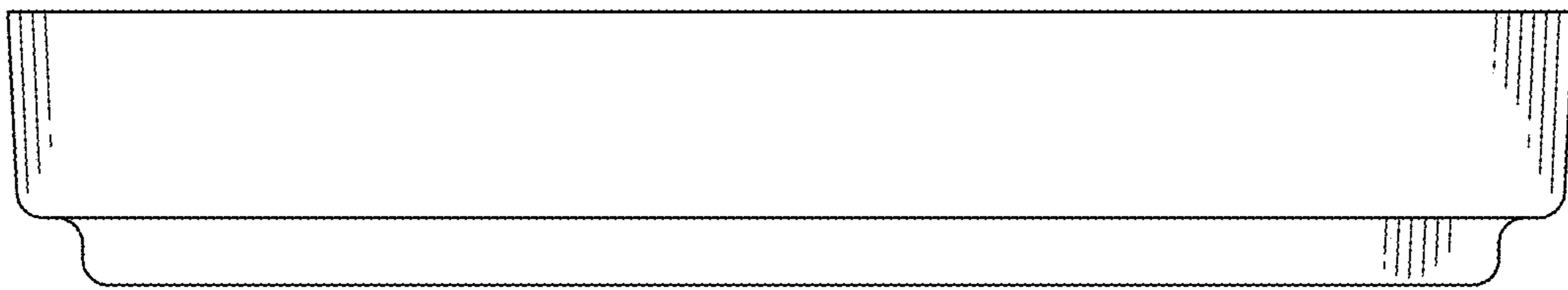


FIG.3

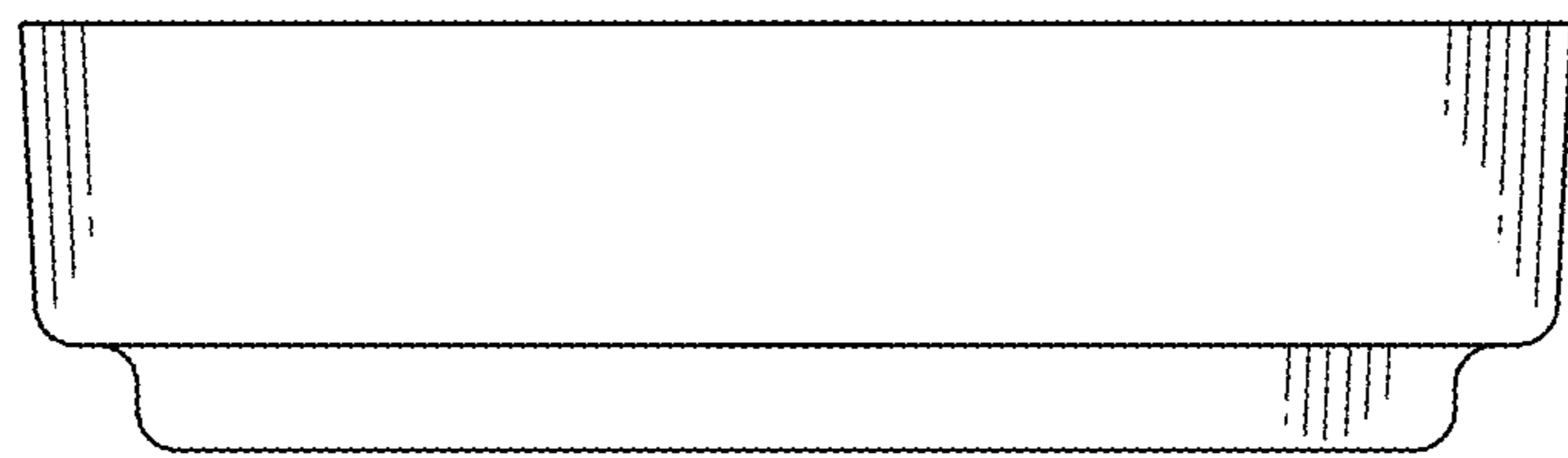


FIG.4

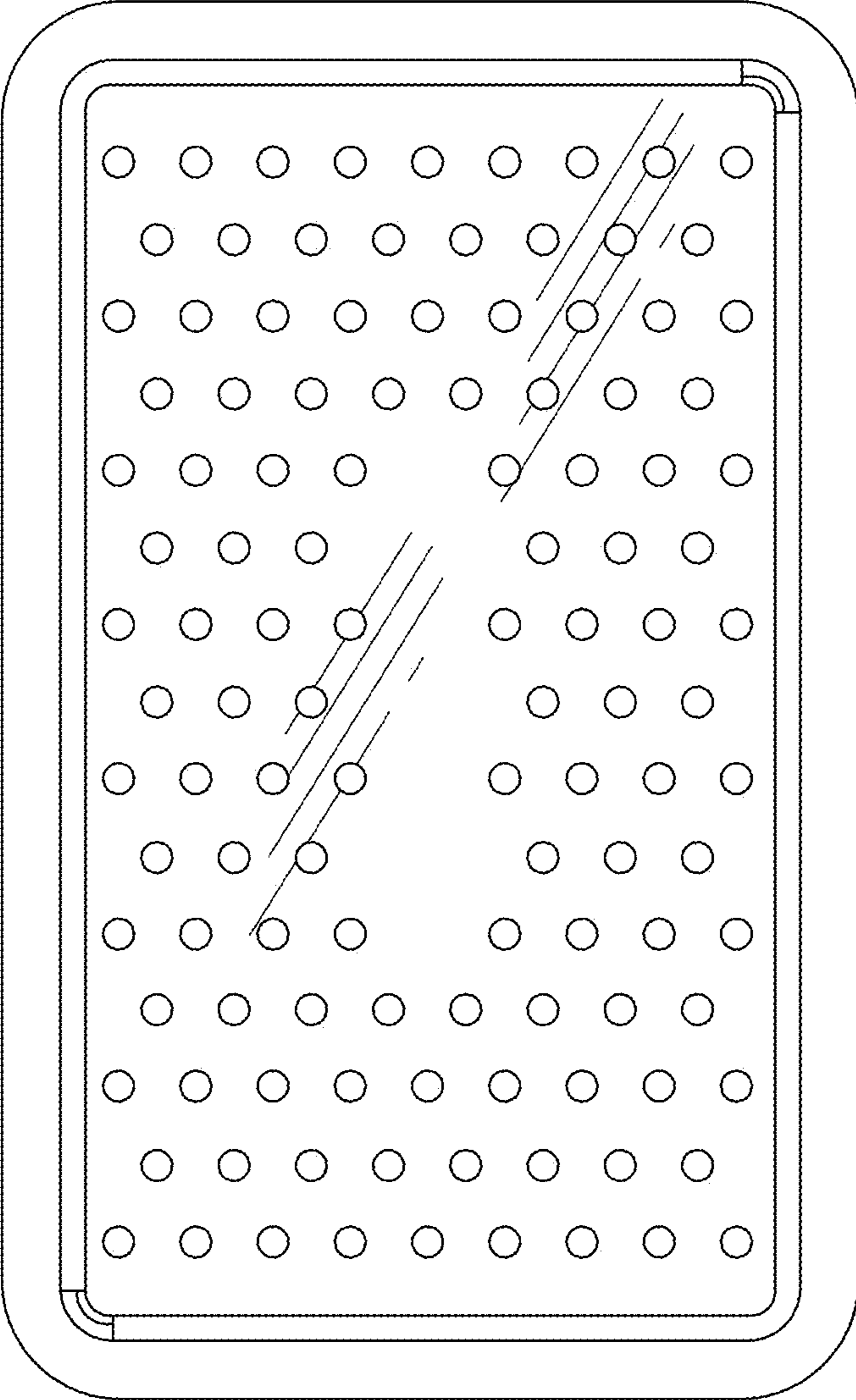


FIG.5

