



US00D931057S

(12) **United States Design Patent** (10) **Patent No.:** **US D931,057 S**
Xin (45) **Date of Patent:** **** Sep. 21, 2021**

(54) **3 TIER SPICE RACK**

(71) Applicant: **Yan Xin**, Guangdong (CN)

(72) Inventor: **Yan Xin**, Guangdong (CN)

(**) Term: **15 Years**

(21) Appl. No.: **29/773,655**

(22) Filed: **Mar. 11, 2021**

(51) **LOC (13) Cl.** **07-99**

(52) **U.S. Cl.**
USPC **D7/600.4**

(58) **Field of Classification Search**
USPC D7/590, 600.1, 600.4, 387, 401.1, 213,
D7/701, 704; D6/672, 675, 675.1, 675.2;
D25/62, 63, 68, 69; D19/65, 75, 81, 86,
D19/91
CPC A47J 47/16; A47B 47/00; A47B 47/0091;
A47B 73/002; A47B 81/00; A47B
81/007; A47F 7/00; A47F 5/10; A47F
5/13

See application file for complete search history.

(56) **References Cited**

U.S. PATENT DOCUMENTS

1,859,871	A *	5/1932	Harlan	A47F 5/01 248/175
2,186,883	A *	1/1940	Robinson	A47F 5/13 108/100
D181,560	S *	11/1957	Varnado	D25/65
D518,316	S *	4/2006	Gusdorf	D6/675.3
D593,810	S *	6/2009	Goodman	D7/600.4
D677,530	S	3/2013	Goodman		
D716,590	S *	11/2014	Hsu	D6/675.3
D737,079	S *	8/2015	Tsai	D6/675.3
D760,033	S	6/2016	Khaitan		

D813,575	S *	3/2018	Kraemer	D6/675.3
D873,588	S *	1/2020	Xiaojun	D6/675.3
D885,092	S *	5/2020	Greenwood	D6/675.3
2012/0111815	A1 *	5/2012	Berry	A47J 47/16 211/74

OTHER PUBLICATIONS

Cabinet Spice Rackl posted at Amazon.com, posted on Jan. 22, 2021, © 1996-2021 Amazon.com, [online], [site visited May 5, 2021]. Available from Internet, <URL:https://www.amazon.com/Simple-Trending-Expandable-Separable-Organizer/dp/B08TQXYXZK/> (Year: 2021).*

* cited by examiner

Primary Examiner — Susan E Krakower
Assistant Examiner — Andrew Kerr

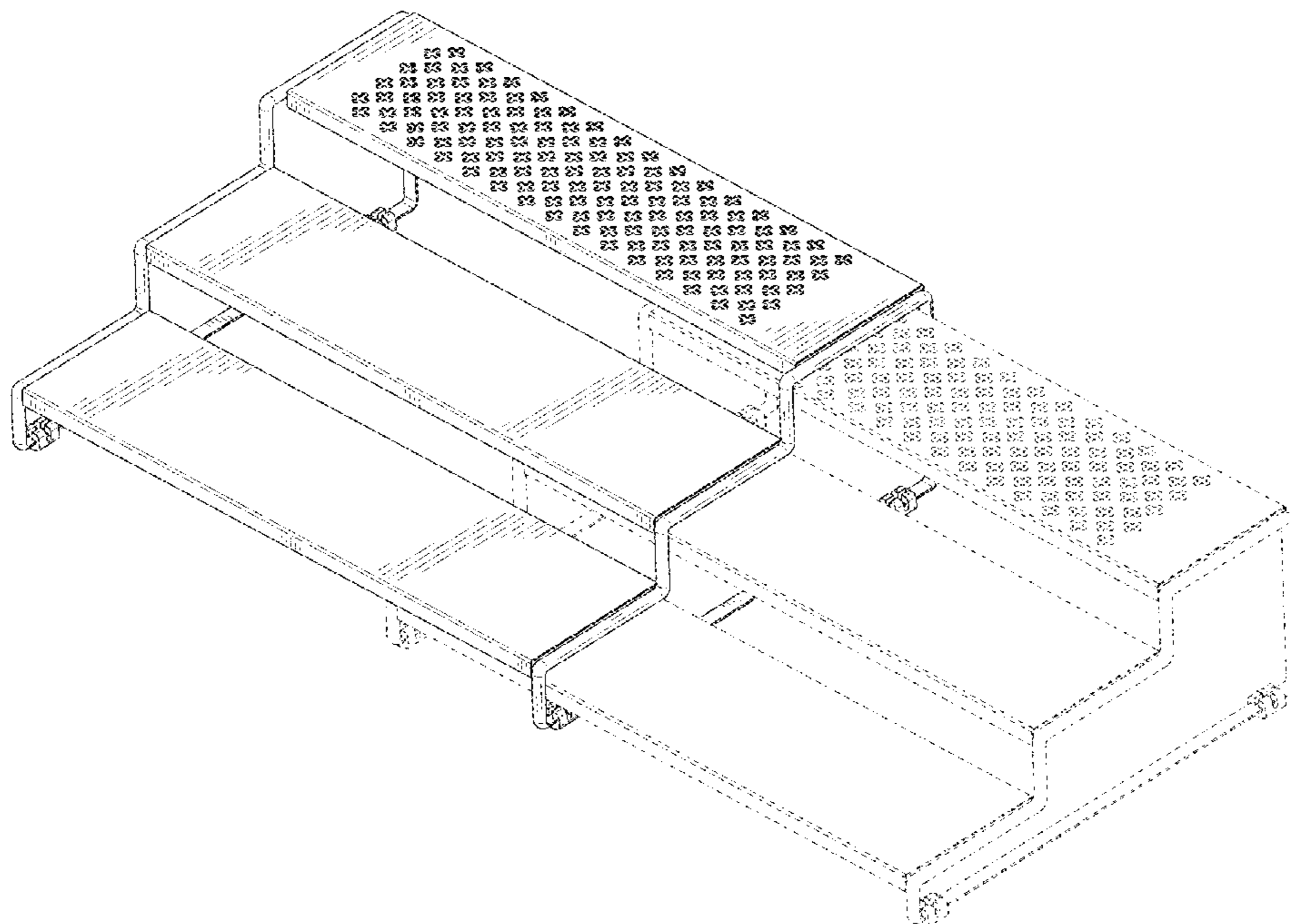
(57) **CLAIM**

The ornamental design for a 3 tier spice rack, as shown and described.

DESCRIPTION

FIG. 1 is a perspective view of a 3 tier spice rack showing my new design, in a condition of use;
FIG. 2 is an alternative perspective view thereof;
FIG. 3 is a front view thereof;
FIG. 4 is a back view thereof;
FIG. 5 is a left side view thereof;
FIG. 6 is a right side view thereof;
FIG. 7 is a top view thereof;
FIG. 8 is a bottom view thereof; and,
FIG. 9 is an enlarged view of portion 9 shown in FIG. 2. The dash-dot broken lines in FIGS. 2 and 9, designating the boundary of the enlarged view, form no part of the claimed design.

1 Claim, 9 Drawing Sheets



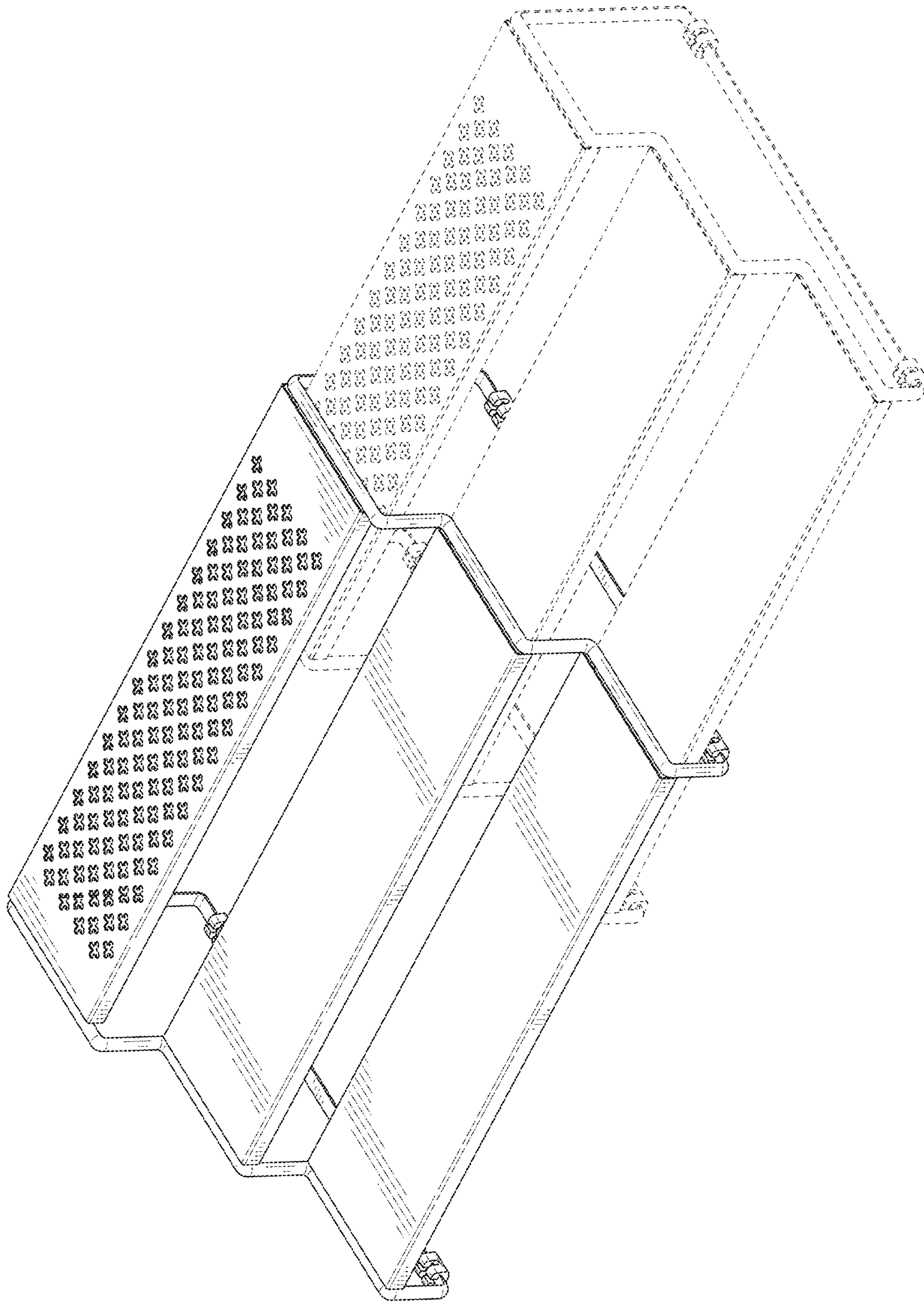


FIG. 1

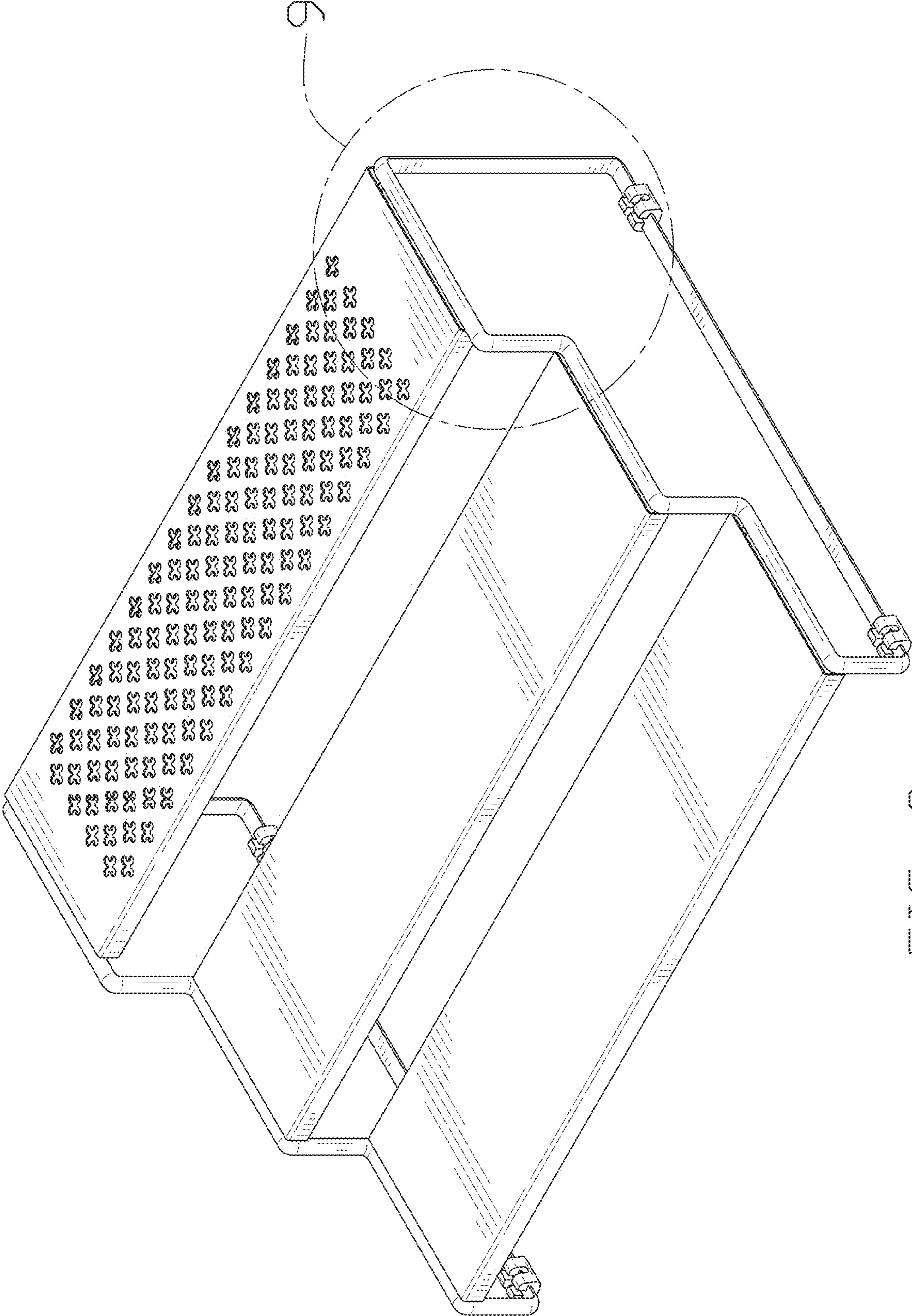


FIG. 2

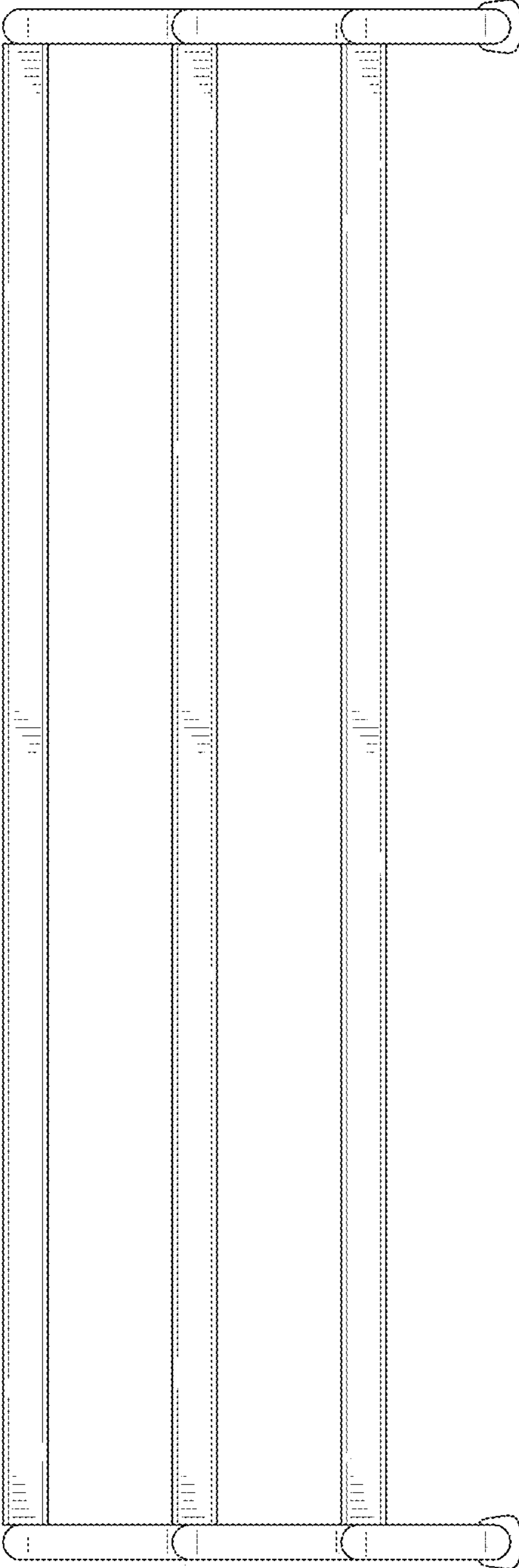


FIG. 3

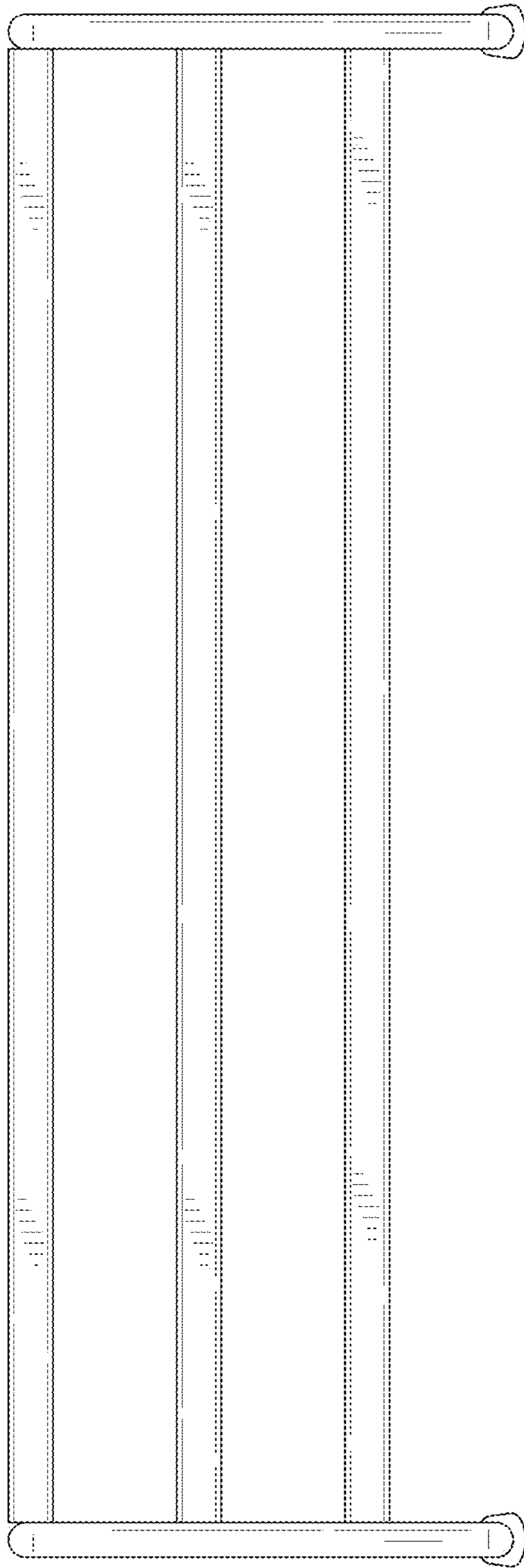


FIG. 4

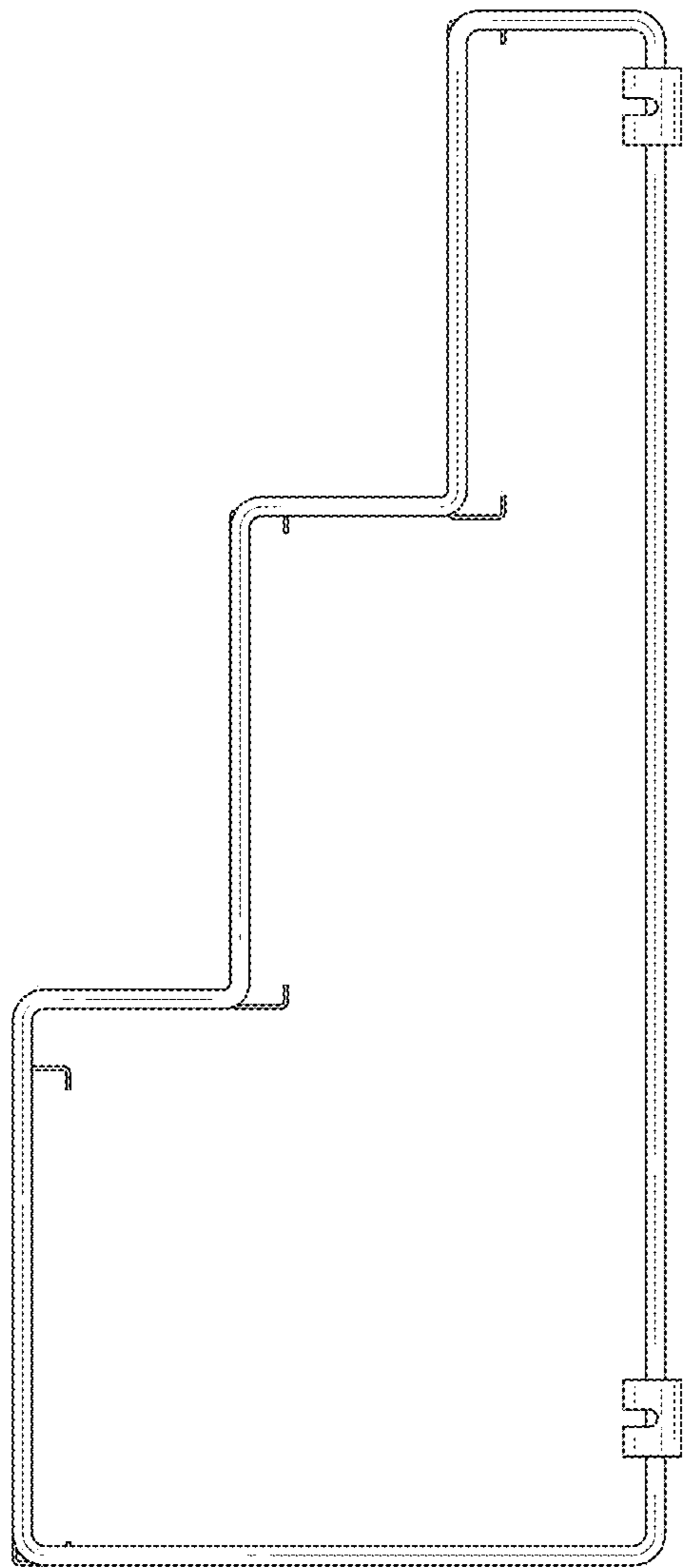


FIG. 5

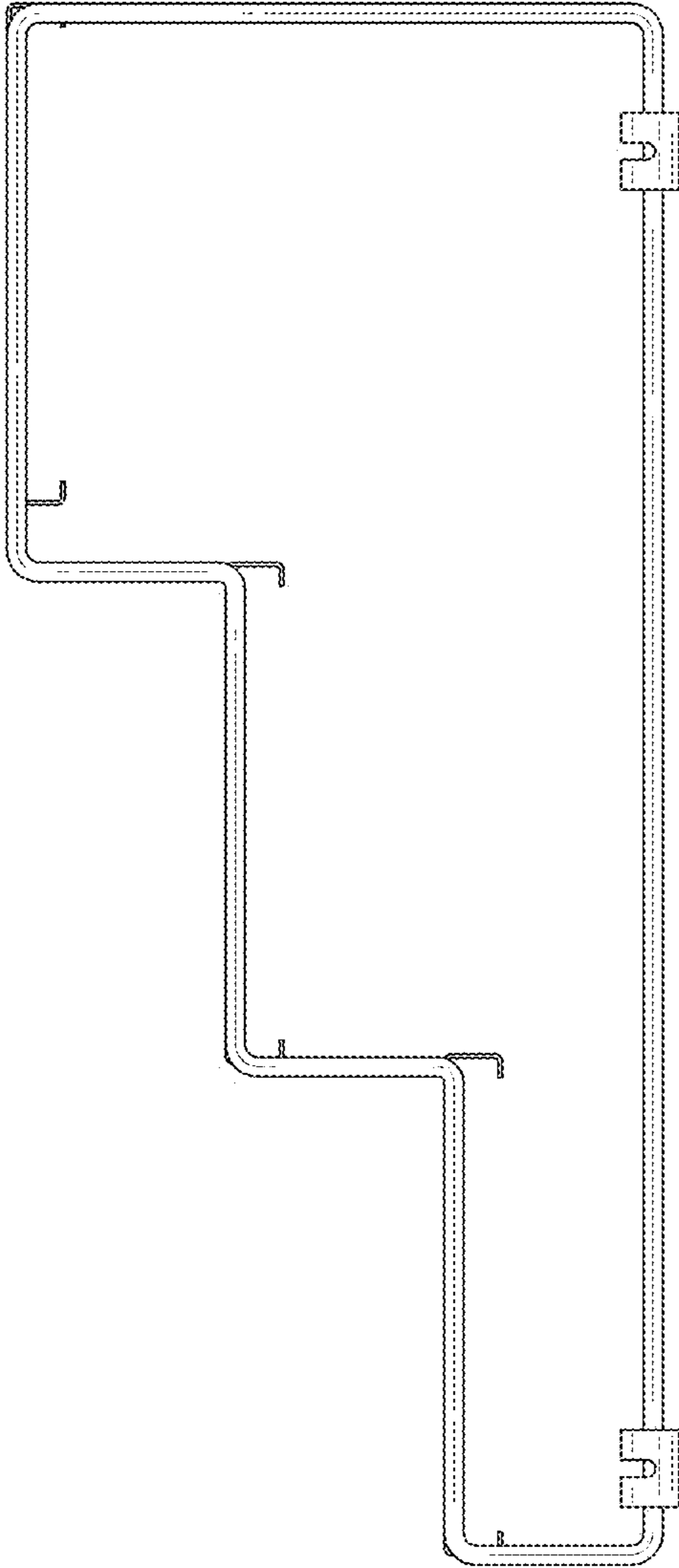


FIG. 6

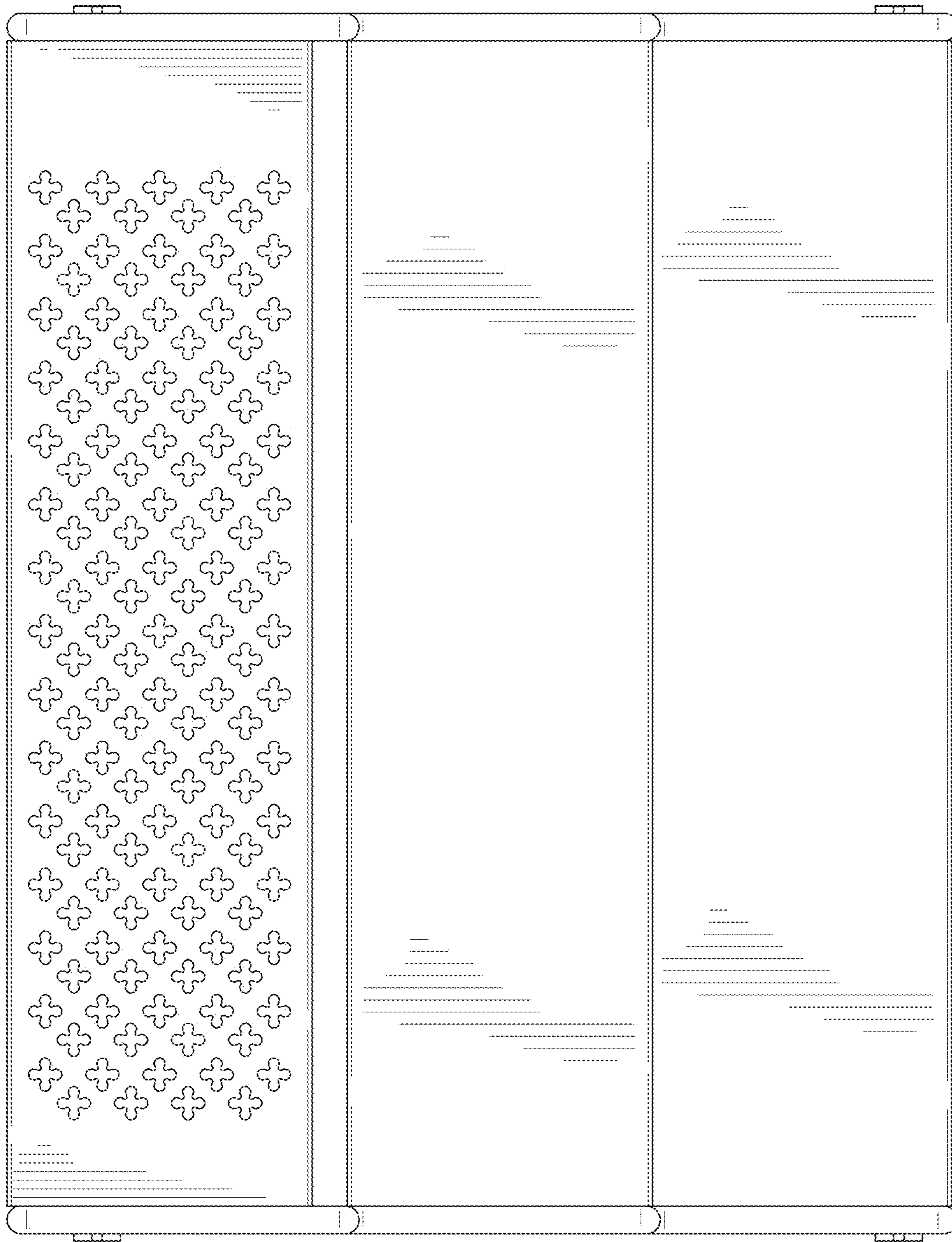


FIG. 7

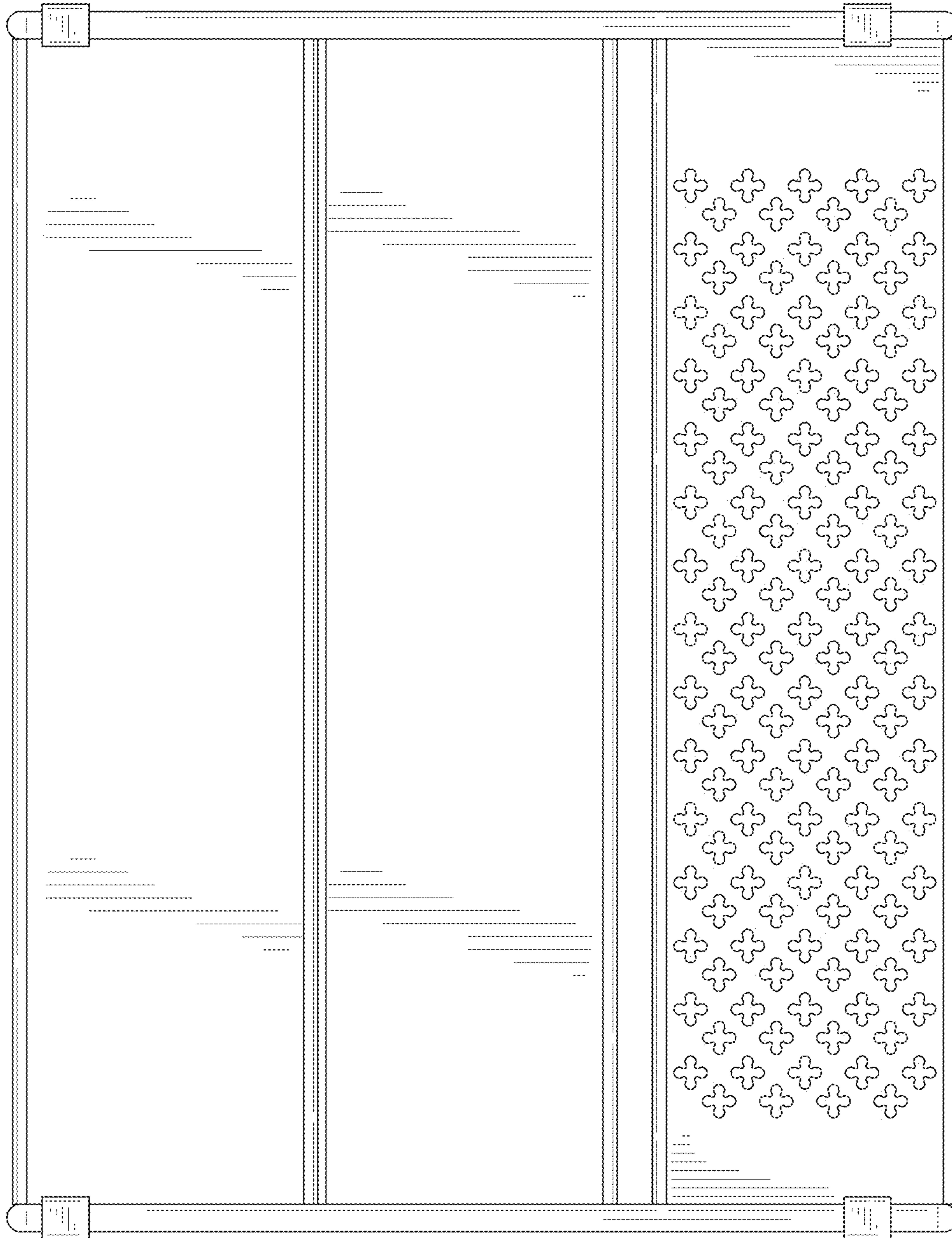


FIG. 8

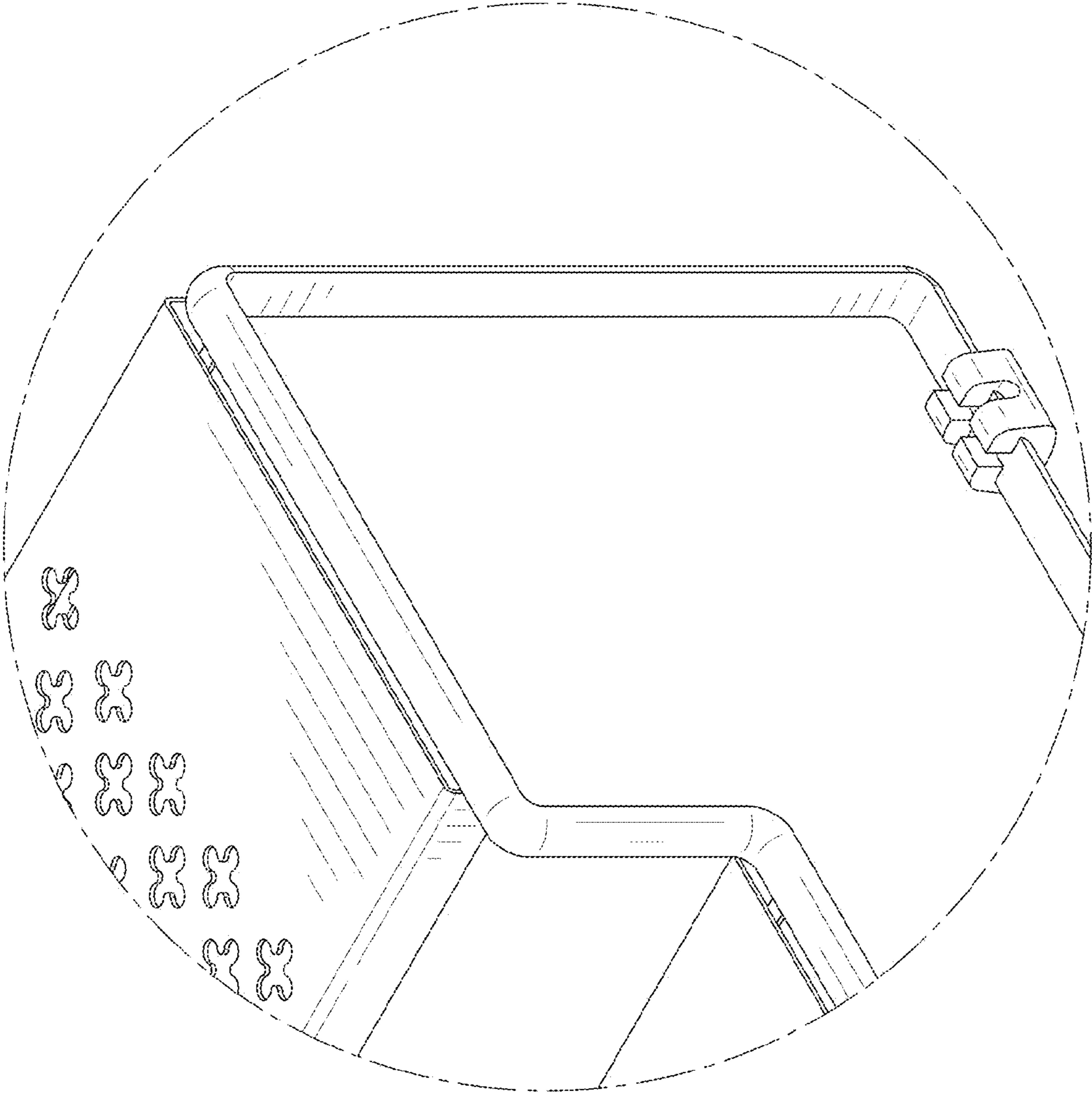


FIG. 9