



US00D931055S

(12) **United States Design Patent** (10) **Patent No.:** **US D931,055 S**
Loudenslager et al. (45) **Date of Patent:** **** Sep. 21, 2021**

- (54) **BOWL**
- (71) Applicant: **YETI Coolers, LLC**, Austin, TX (US)
- (72) Inventors: **John Loudenslager**, Austin, TX (US);
Robert Throop, Austin, TX (US); **Liza Morris**, Austin, TX (US)
- (73) Assignee: **YETI Coolers, LLC**, Austin, TX (US)
- (**) Term: **15 Years**
- (21) Appl. No.: **29/747,550**
- (22) Filed: **Aug. 24, 2020**

Related U.S. Application Data

- (63) Continuation of application No. 29/691,792, filed on May 20, 2019, now Pat. No. Des. 895,372.
- (51) **LOC (13) Cl.** **07-01**
- (52) **U.S. Cl.**
USPC **D7/584**; D19/104
- (58) **Field of Classification Search**
USPC D7/500, 587, 565, 560, 543, 584;
D30/130; D19/104
CPC A47G 19/025; A47G 19/02
See application file for complete search history.

(56) **References Cited**

U.S. PATENT DOCUMENTS

640,418 A	1/1900	Royer	
3,390,821 A	7/1968	Mullan	
4,383,564 A	5/1983	Hoie	
5,101,996 A *	4/1992	Mosley B65D 21/08 206/218
5,417,337 A	5/1995	Robbins, III	
5,439,128 A	8/1995	Fishman	
5,549,213 A	8/1996	Robbins, III et al.	
6,019,244 A	2/2000	Jones	
D428,771 S *	8/2000	Novi D7/523

6,412,652 B1	7/2002	Woram et al.	
6,431,389 B1 *	8/2002	Jerstroem A47J 36/02 220/574
6,516,747 B1	2/2003	Willinger	
6,616,004 B1	9/2003	Erickson et al.	
D483,225 S	12/2003	Gain	
6,666,329 B1	12/2003	Charbonneau	
D485,126 S *	1/2004	Watson D7/584
D522,809 S	6/2006	Kusuma et al.	
7,083,043 B2	8/2006	Sharon	
D544,303 S	6/2007	Strepkoff	
D549,040 S *	8/2007	Henry D7/354

(Continued)

FOREIGN PATENT DOCUMENTS

CA	167132 A	1/1916
CN	3620285	3/2007

(Continued)

Primary Examiner — Cynthia R Underwood
(74) *Attorney, Agent, or Firm* — Banner & Witcoff, Ltd.

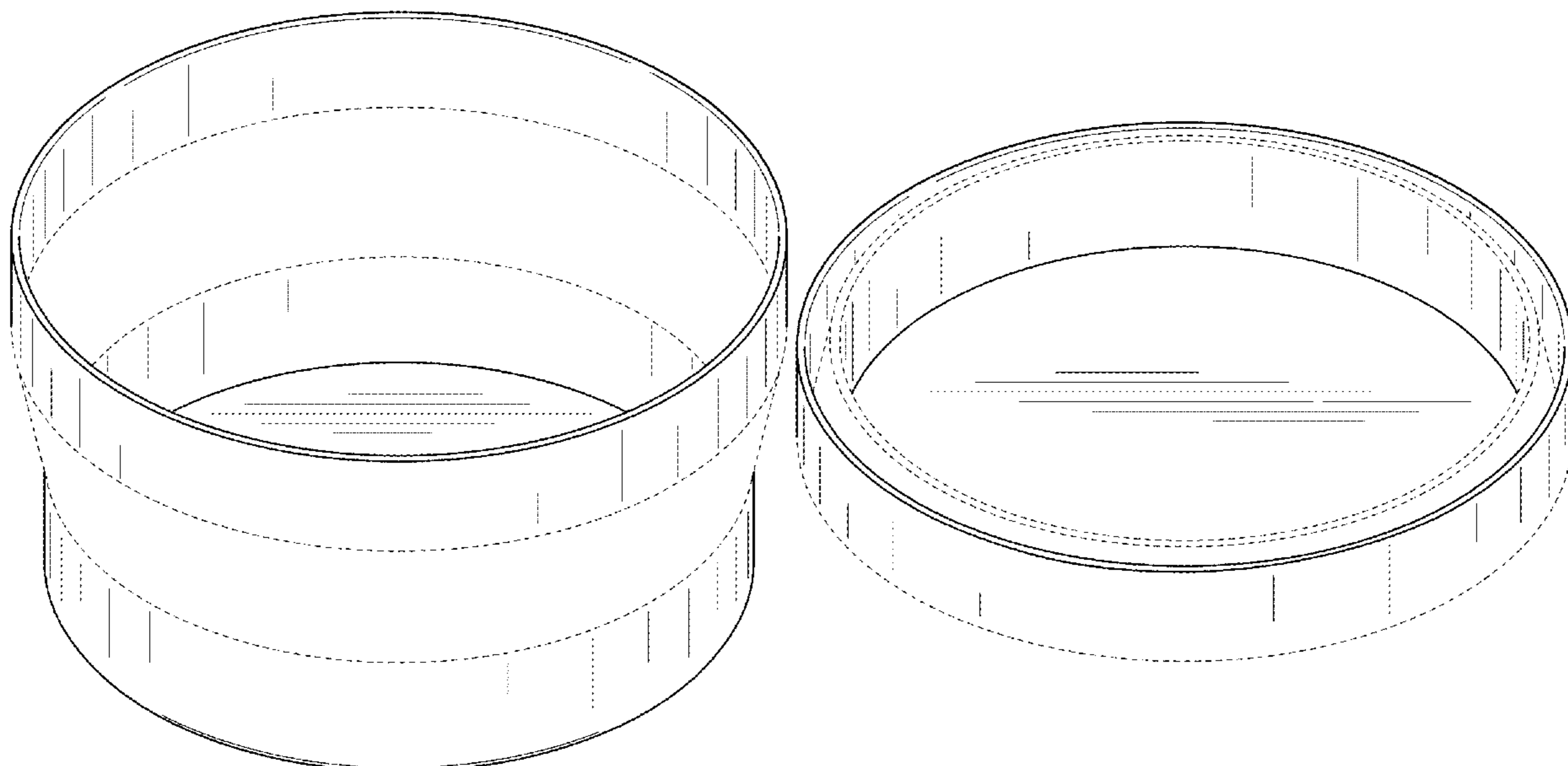
(57) **CLAIM**

The ornamental design for a bowl, as shown and described.

DESCRIPTION

FIG. 1 is a top, front perspective of a bowl showing our new design;
 FIG. 2 is a bottom, front perspective view thereof;
 FIG. 3 is a front view thereof;
 FIG. 4 is a rear view thereof;
 FIG. 5 is a right side view thereof;
 FIG. 6 is a left side view thereof;
 FIG. 7 is a top view thereof;
 FIG. 8 is a bottom view thereof; and,
 FIG. 9 is a top, front perspective view of an alternative claimed configuration of a bowl showing our new design. The broken lines depict features that form no part of the claimed design.

1 Claim, 7 Drawing Sheets



(56)

References Cited

U.S. PATENT DOCUMENTS

D565,356 S * 4/2008 Mellen D7/376
 D582,101 S 12/2008 Shamoon
 D591,590 S * 5/2009 Wilson D9/428
 D598,238 S * 8/2009 Durdon D7/354
 D607,329 S * 1/2010 Diss D7/587
 7,654,402 B2 2/2010 Kusuma et al.
 D611,769 S 3/2010 Hauser
 7,678,271 B2 3/2010 Curtin
 D614,453 S * 4/2010 Curtin D7/629
 D629,264 S 12/2010 Curtin
 D645,705 S 9/2011 Shamoon
 D650,635 S 12/2011 Luo
 8,118,182 B1 2/2012 Licari
 D664,003 S 7/2012 Nagoya
 8,215,230 B2 7/2012 Curtin
 D671,166 S * 11/2012 Papenfuß D19/104
 8,313,000 B1 11/2012 Tuan
 D682,617 S 5/2013 Miksovsky et al.
 8,556,099 B2 * 10/2013 Perlman B65D 21/086
 220/8
 D699,078 S 2/2014 Katterheinrich et al.
 8,887,942 B2 * 11/2014 Miksovsky B65D 1/40
 220/521
 D728,865 S * 5/2015 Tsengas D30/129
 9,044,082 B2 6/2015 Kusuma et al.
 9,079,685 B2 7/2015 Sudakoff
 D745,228 S * 12/2015 Scaba D30/129
 9,221,582 B2 12/2015 Wheeler et al.
 D746,640 S 1/2016 Myoung et al.
 D761,061 S * 7/2016 McConnell D7/587
 D763,626 S 8/2016 Westrick et al.
 9,474,397 B2 * 10/2016 Minnette A47G 19/02
 D770,233 S * 11/2016 Raphael D7/584
 D773,126 S * 11/2016 Scaba A45F 3/20
 D30/129
 D779,886 S 2/2017 Singlaub
 D787,274 S * 5/2017 Gagnon D7/586
 9,694,938 B2 7/2017 Hollis et al.
 9,708,098 B2 7/2017 Plott et al.
 D813,665 S * 3/2018 White D9/428
 9,926,105 B2 3/2018 Tsui
 D814,294 S * 4/2018 White D9/428
 D816,278 S 4/2018 Keil et al.
 D823,643 S 7/2018 Paul
 D828,068 S 9/2018 Tsui
 D838,551 S 1/2019 Biber
 10,196,169 B2 2/2019 Tsui
 D850,863 S 6/2019 Miksovsky et al.
 D853,663 S 7/2019 Song
 D854,926 S * 7/2019 Tung D9/428
 D857,450 S 8/2019 Wolfgram
 D857,460 S 8/2019 Spater
 D861,480 S * 10/2019 Barrett D9/428
 D862,988 S 10/2019 Wiggins et al.
 D869,240 S * 12/2019 Modi D7/584
 D897,834 S * 10/2020 Lee D9/428
 D915,828 S * 4/2021 Schiermeier D7/554.2
 D918,712 S * 5/2021 Bontrager D9/428
 D919,428 S * 5/2021 Shah D9/428
 D920,097 S * 5/2021 Rapparini D9/428

2002/0112614 A1 * 8/2002 Zoss A21D 10/025
 99/426
 2003/0230588 A1 12/2003 Zepter
 2004/0261725 A1 12/2004 Myers
 2008/0099476 A1 5/2008 Fung
 2008/0314326 A1 12/2008 Albert
 2009/0114657 A1 5/2009 Hsu
 2009/0202684 A1 8/2009 Willemsen et al.
 2010/0140279 A1 6/2010 Tyson et al.
 2011/0248040 A1 10/2011 McGregor
 2012/0017837 A1 * 1/2012 Crawford A01K 5/01
 119/61.1
 2013/0104505 A1 * 5/2013 Minnette B65B 7/2878
 53/471
 2013/0140211 A1 6/2013 Robbins, III et al.
 2013/0264340 A1 10/2013 Zens
 2013/0277364 A1 10/2013 Kusuma et al.
 2013/0284753 A1 10/2013 Kellmann
 2014/0326735 A1 * 11/2014 Minnette A47G 19/02
 220/574
 2015/0253055 A1 9/2015 Tsui
 2016/0368664 A1 12/2016 Balmes et al.
 2017/0050800 A1 2/2017 Gain
 2018/0148240 A1 5/2018 Abbey et al.

FOREIGN PATENT DOCUMENTS

CN 301527408 S 4/2011
 CN 301766624 S 12/2011
 CN 202354196 U 8/2012
 CN 101820801 B 10/2012
 CN 302744140 S 2/2014
 CN 103858782 A 6/2014
 CN 203646267 U 6/2014
 CN 203775888 U 8/2014
 CN 203884381 U 10/2014
 CN 303003822 S 11/2014
 CN 204764789 U 11/2015
 CN 204970669 U 1/2016
 CN 205180022 U 4/2016
 CN 303667400 S 5/2016
 CN 303688902 S 6/2016
 CN 205431472 U 8/2016
 CN 105919381 A 9/2016
 CN 205597654 U 9/2016
 CN 206043069 U 3/2017
 CN 304225404 S 8/2017
 CN 107440438 A 12/2017
 CN 304398206 S 12/2017
 CN 304412427 S 12/2017
 CN 304453321 S 1/2018
 CN 107718435 A 2/2018
 CN 107718436 A 2/2018
 CN 107752647 A 3/2018
 CN 108113378 A 6/2018
 CN 108209127 A 6/2018
 CN 108209405 A 6/2018
 CN 108209408 A 6/2018
 CN 108244814 A 7/2018
 CN 108433482 A 8/2018
 CN 207979464 U 10/2018
 WO 14062123 A1 4/2014
 WO 16051208 A1 4/2016

* cited by examiner

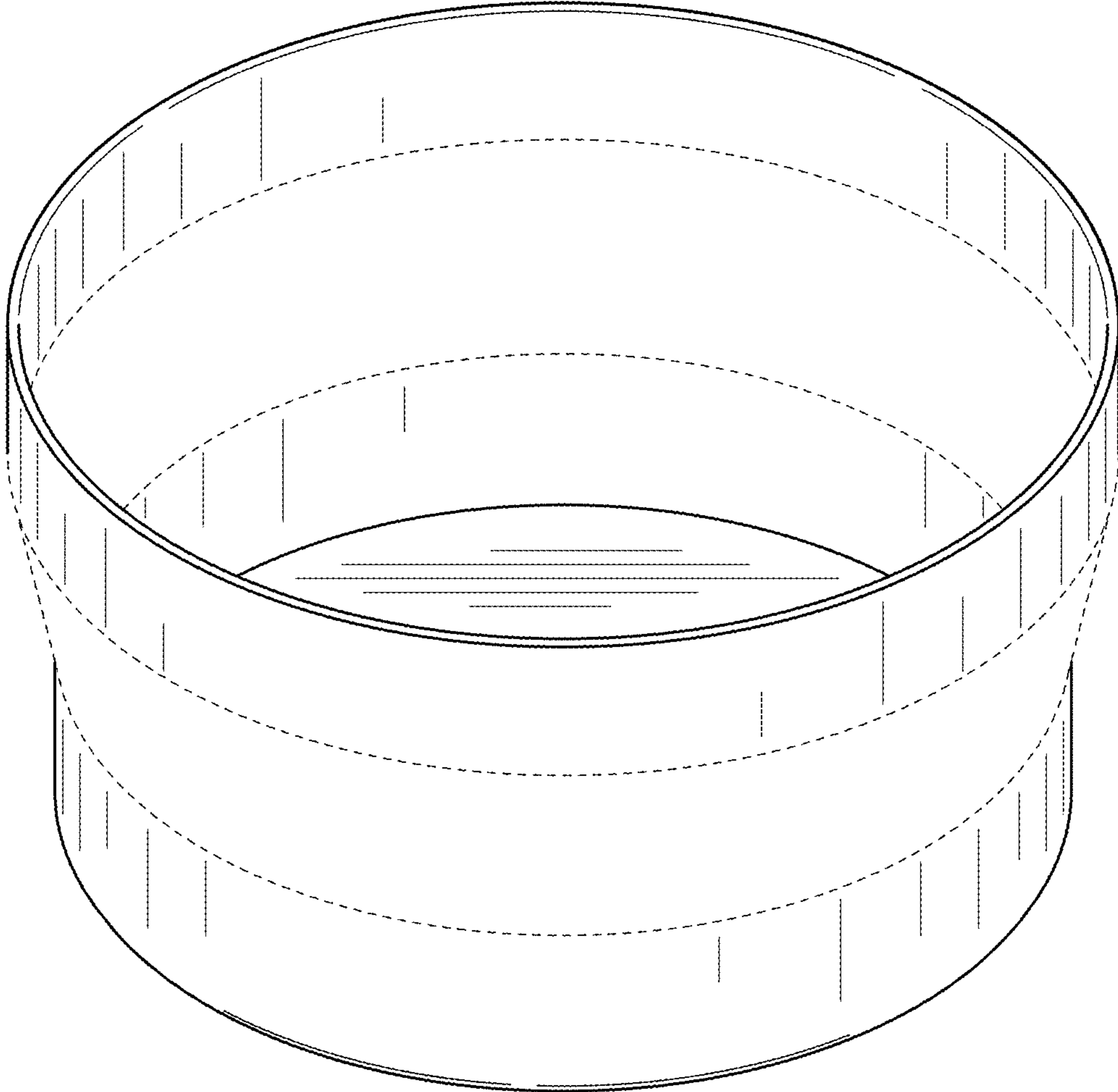


FIG. 1

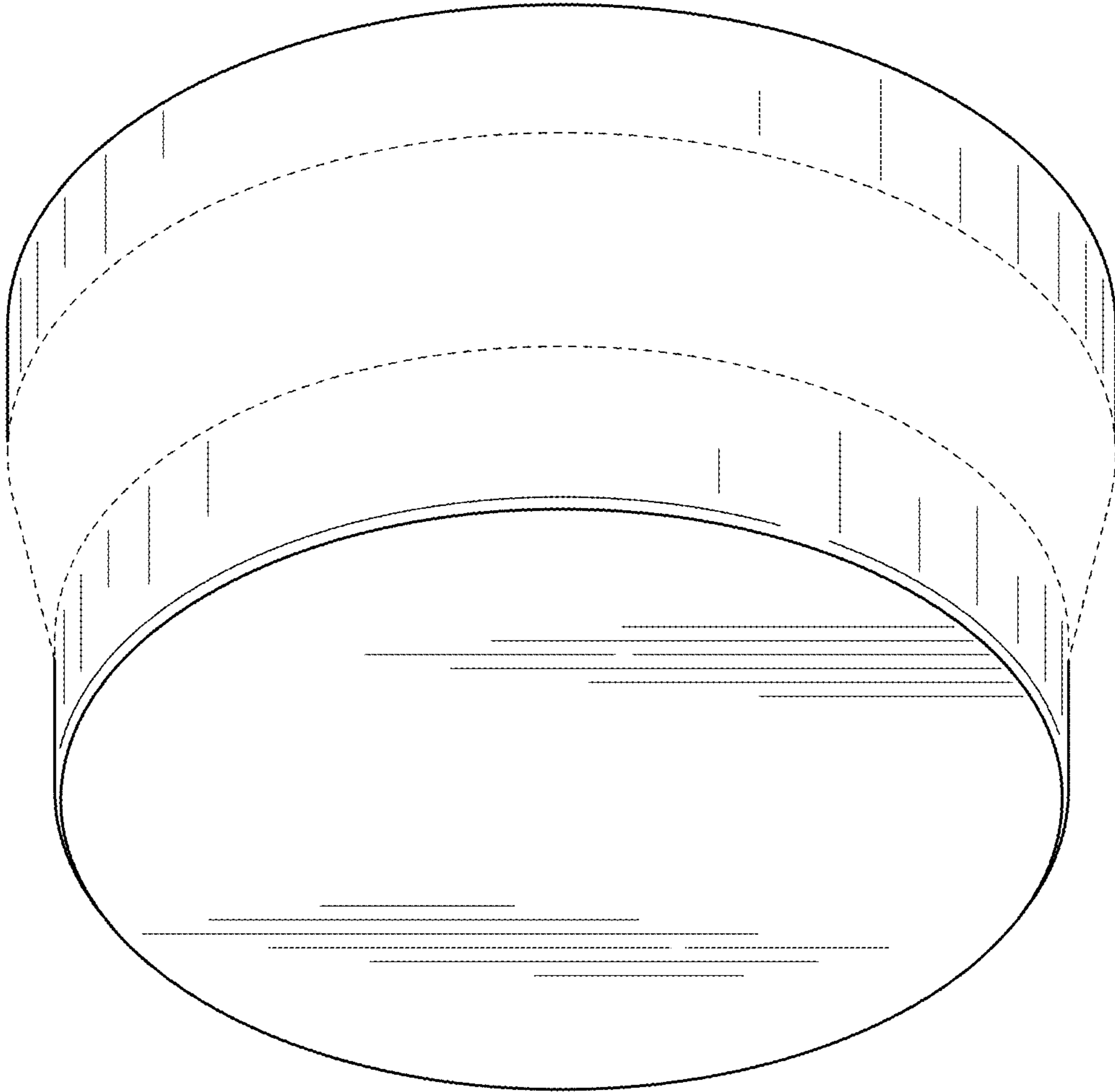


FIG. 2

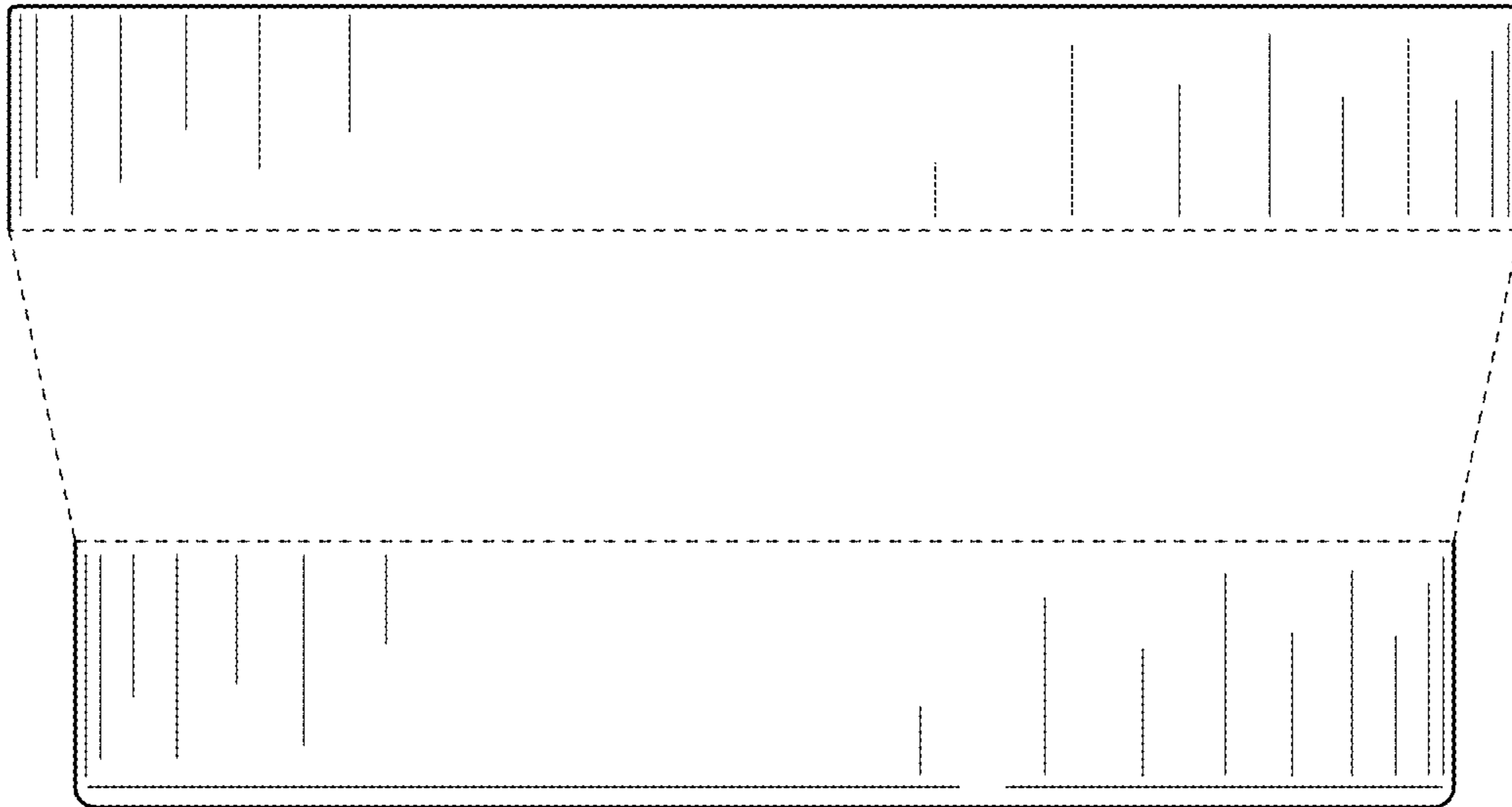


FIG. 3

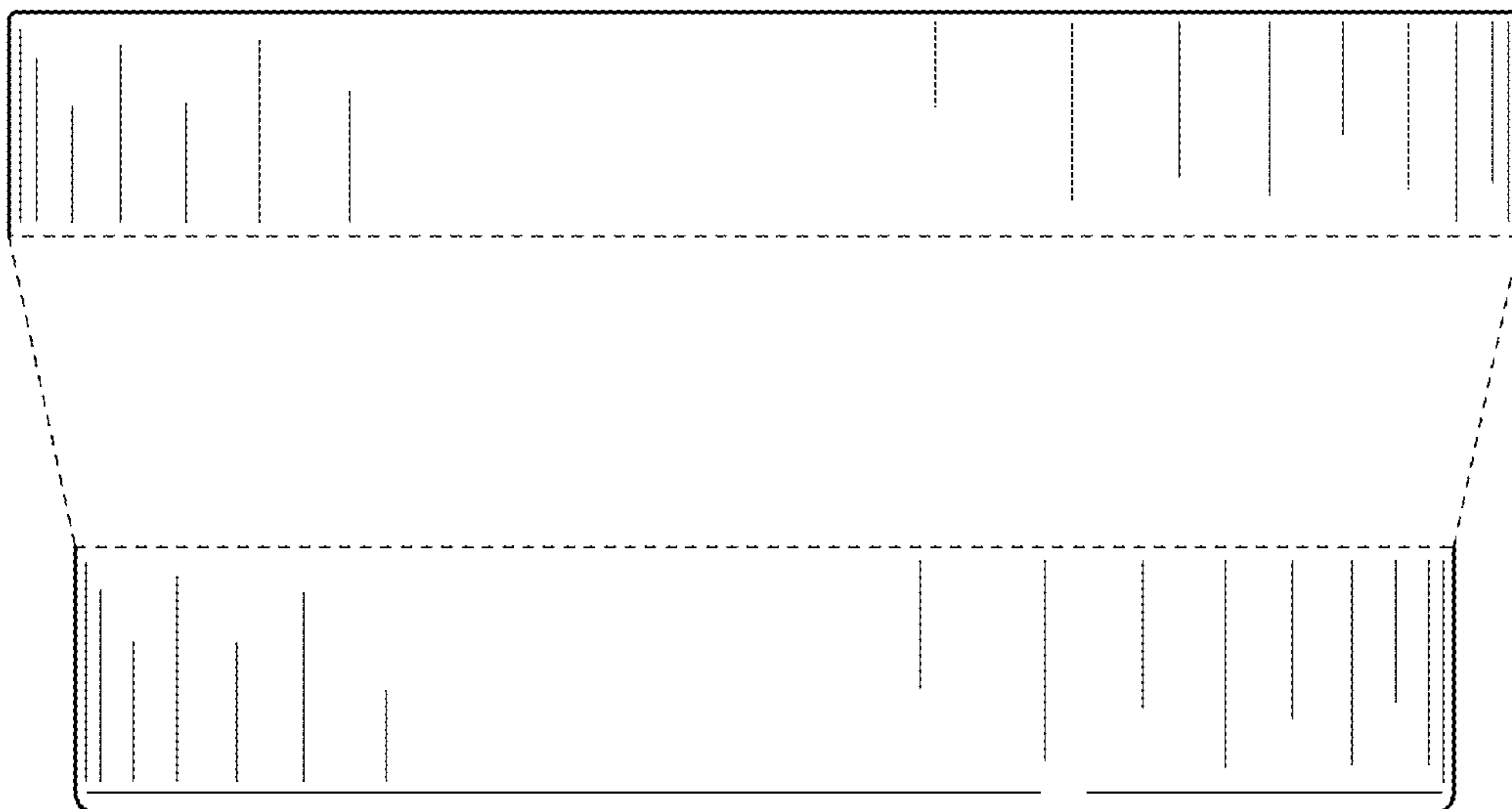


FIG. 4

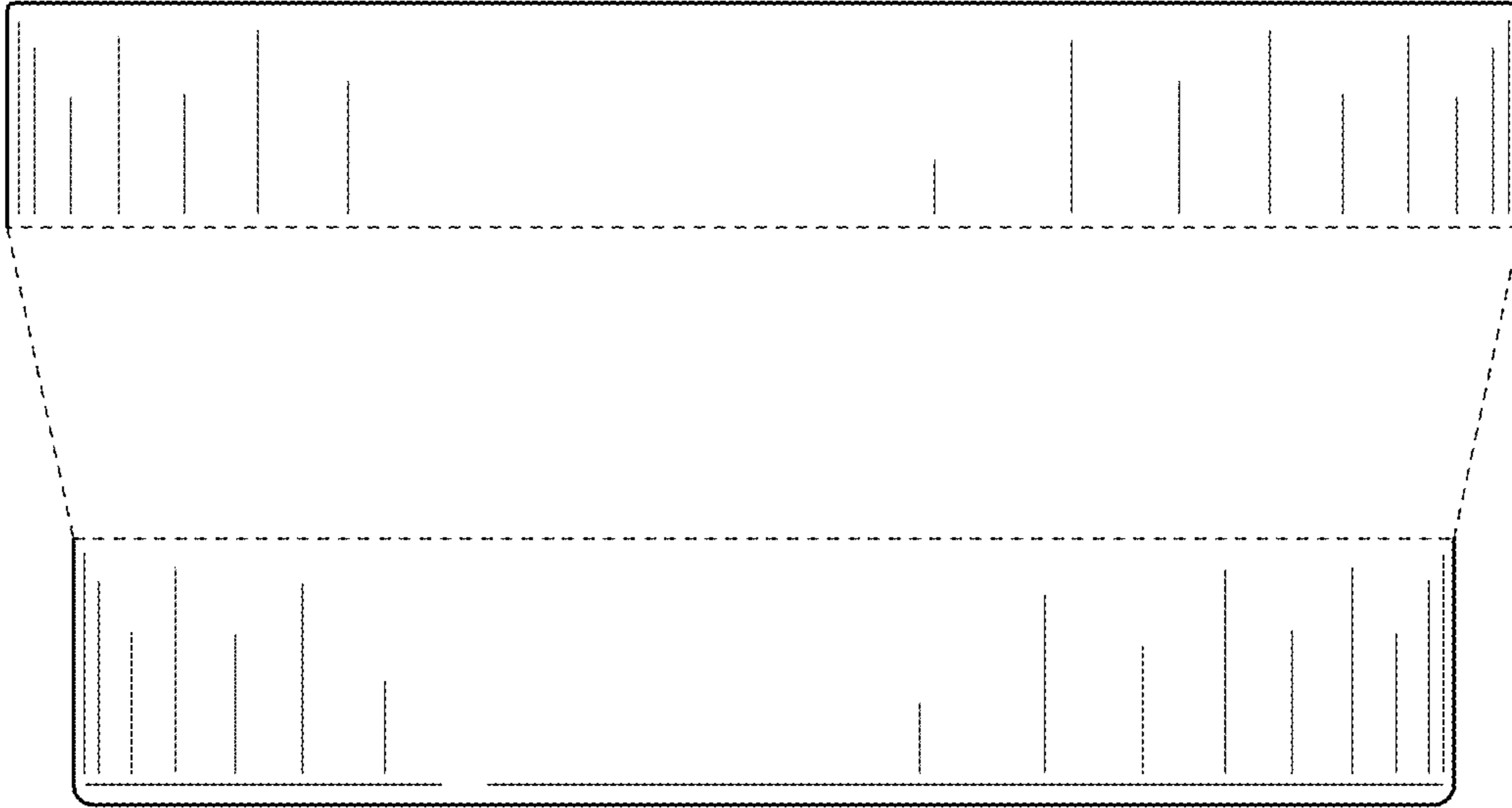


FIG. 5

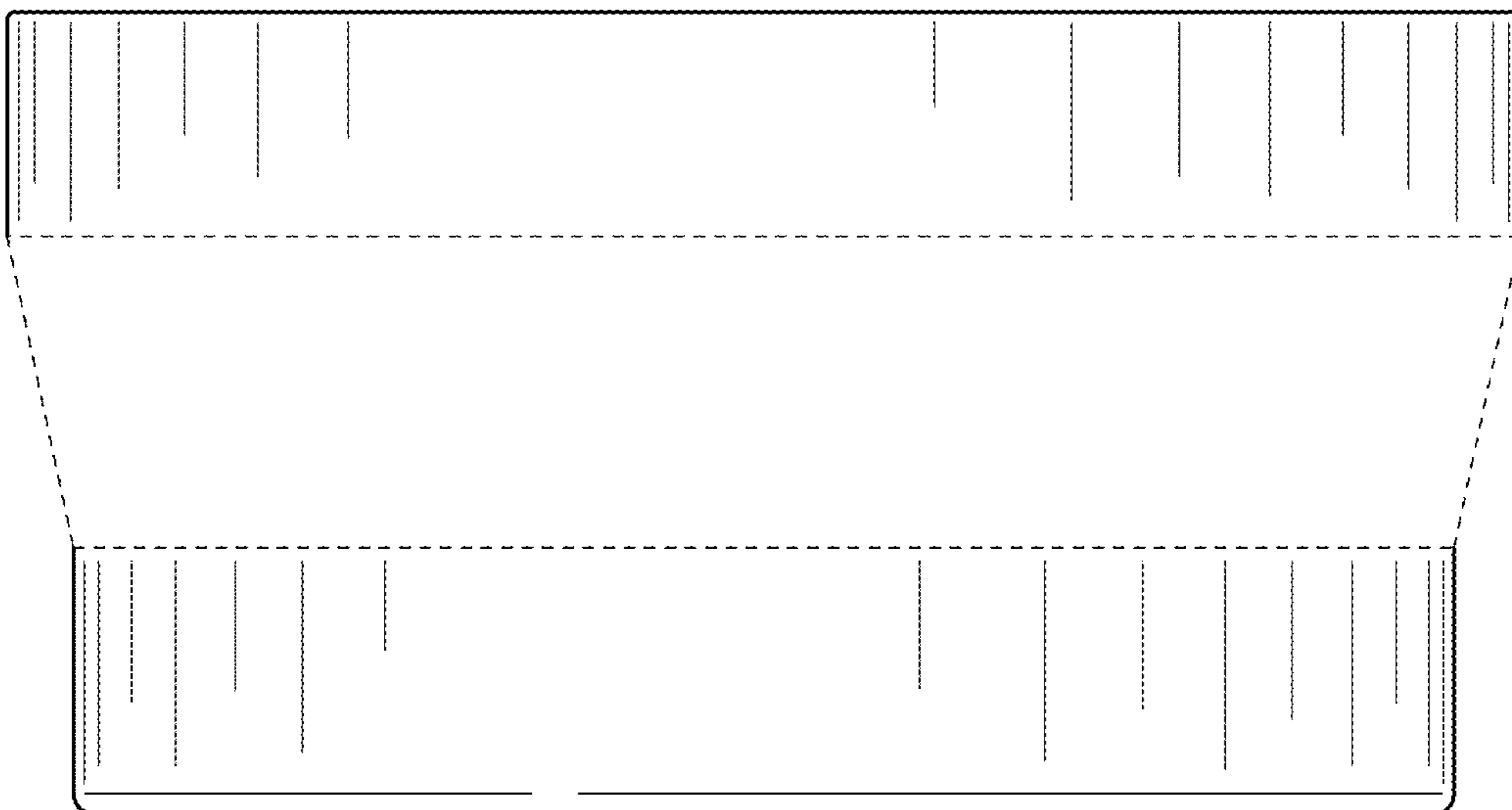


FIG. 6

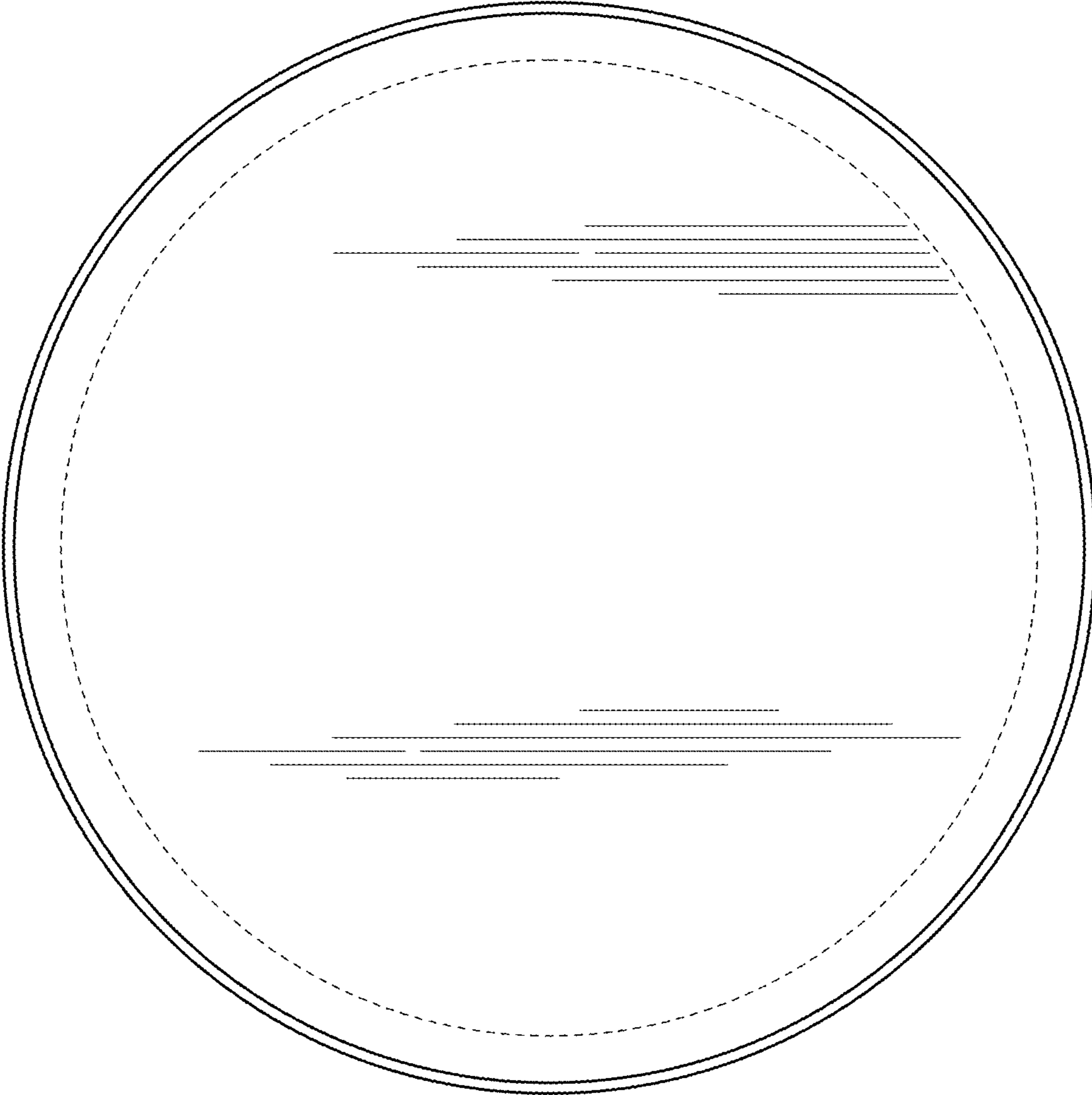


FIG. 7

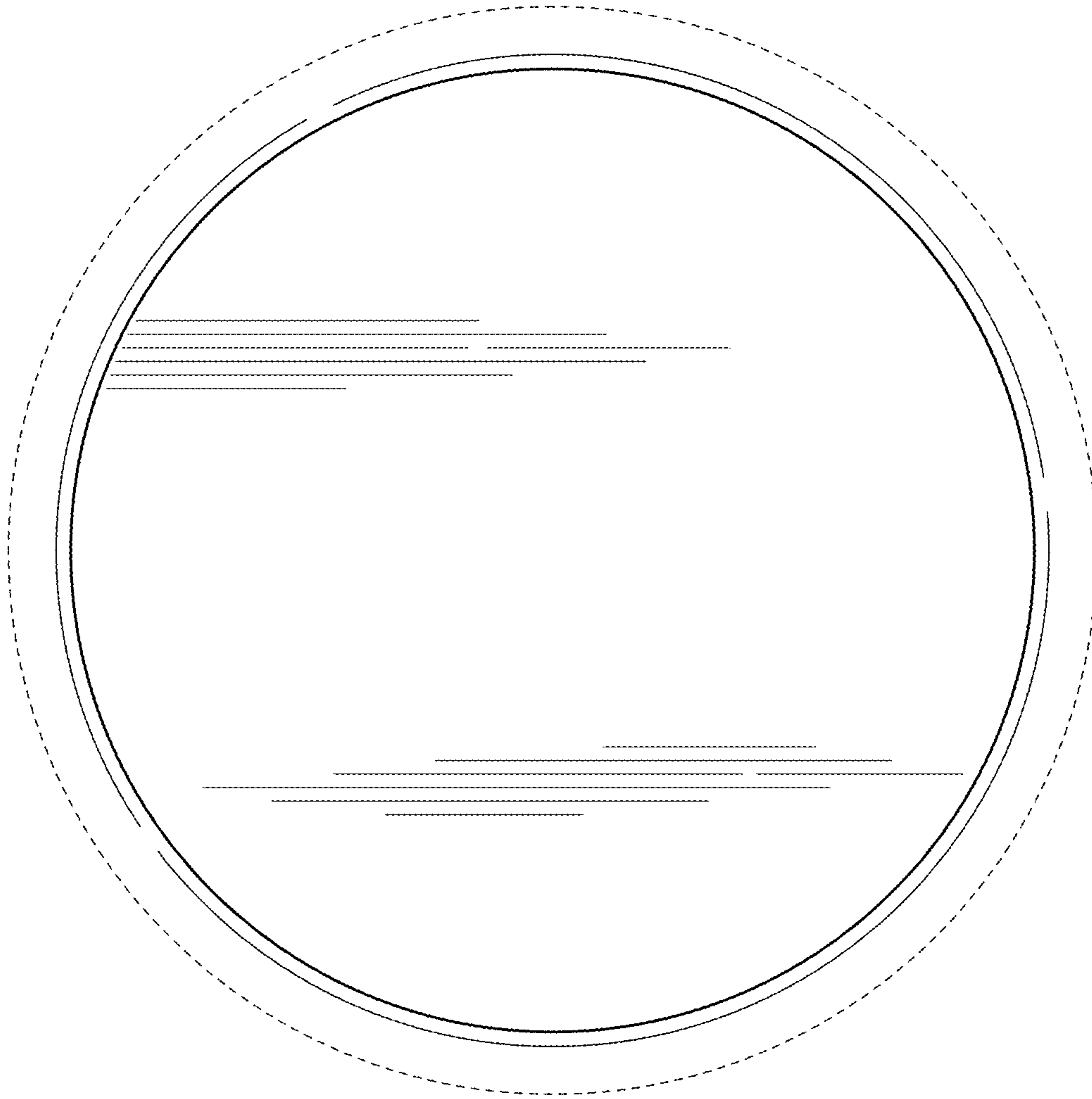


FIG. 8

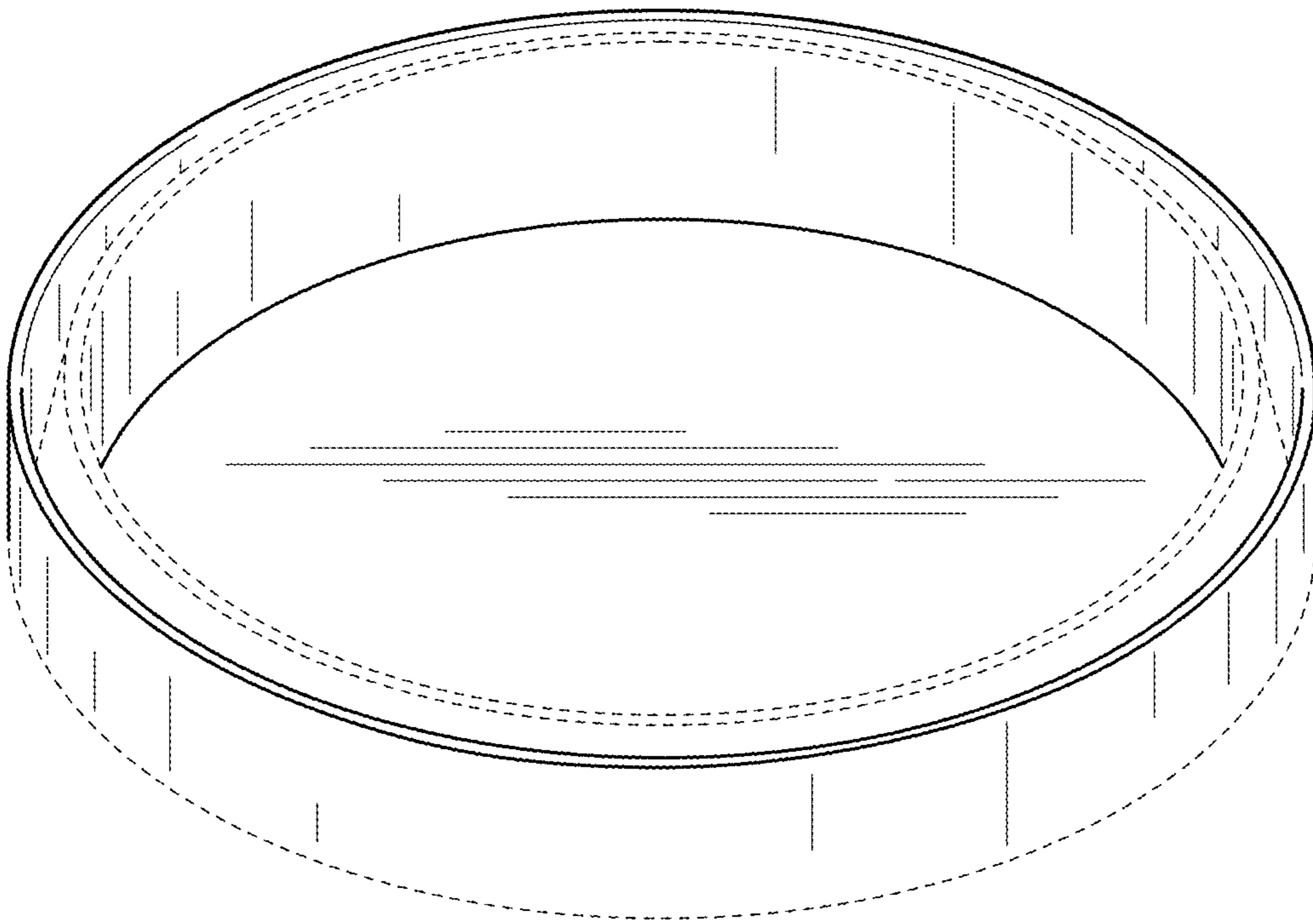


FIG. 9