

US00D931054S

(12) **United States Design Patent** (10) **Patent No.:** **US D931,054 S**  
**Miller** (45) **Date of Patent:** **\*\* Sep. 21, 2021**

(54) **SILICONE DIVIDED PLATE**  
(71) Applicant: **Anastasia Arabella Miller**, Brooklyn, NY (US)  
(72) Inventor: **Anastasia Arabella Miller**, Brooklyn, NY (US)  
(73) Assignee: **Helen of Troy Limited**, St. Michael (BB)

D699,514 S \* 2/2014 Lovley, II ..... D7/409  
D729,588 S \* 5/2015 Breton ..... D7/553.2  
D747,151 S \* 1/2016 Liming ..... D7/553.6  
D753,443 S \* 4/2016 Mock ..... D7/555  
D781,659 S \* 3/2017 Kellow, Jr. .... D7/557  
D801,122 S \* 10/2017 Haddad ..... D7/555  
D837,603 S \* 1/2019 Ribeiro-Ramalhosa ..... D7/584  
D837,607 S \* 1/2019 Dwork ..... D7/584  
D856,755 S \* 8/2019 McCarney ..... D7/555  
D868,540 S \* 12/2019 Kemker ..... D7/584

(Continued)

(\*\*) Term: **15 Years**

**OTHER PUBLICATIONS**

(21) Appl. No.: **29/709,269**  
(22) Filed: **Oct. 12, 2019**  
(51) **LOC (13) Cl.** ..... **07-99**  
(52) **U.S. Cl.**  
USPC ..... **D7/553.8; D7/557**  
(58) **Field of Classification Search**  
USPC ..... D7/550.1, 553.1, 553.6, 553.7, 553.8,  
D7/554.1, 554.2, 555, 557, 584; D9/737,  
D9/756, 761, 414, 424, 425, 428  
CPC ..... A47G 19/02; A47G 23/06; B65D 1/34;  
B65D 1/36  
See application file for complete search history.

Munchkin Plates | posted at Amazon.com, posted on Feb. 8, 2019, © 1996-2021 Amazon.com, [online], [site visited Jun. 29, 2021]. Available from Internet, <URL: <https://www.amazon.co.uk/Munchkin-Divided-Suction-Plates-Purple/dp/B07NF4XVX6/>> (Year: 2019).\*

*Primary Examiner* — Michelle E. Wilson  
*Assistant Examiner* — Andrew Kerr  
(74) *Attorney, Agent, or Firm* — Rankin, Hill & Clark LLP

(57) **CLAIM**

The ornamental designs for a silicone divided plate, as shown, and described.

(56) **References Cited**

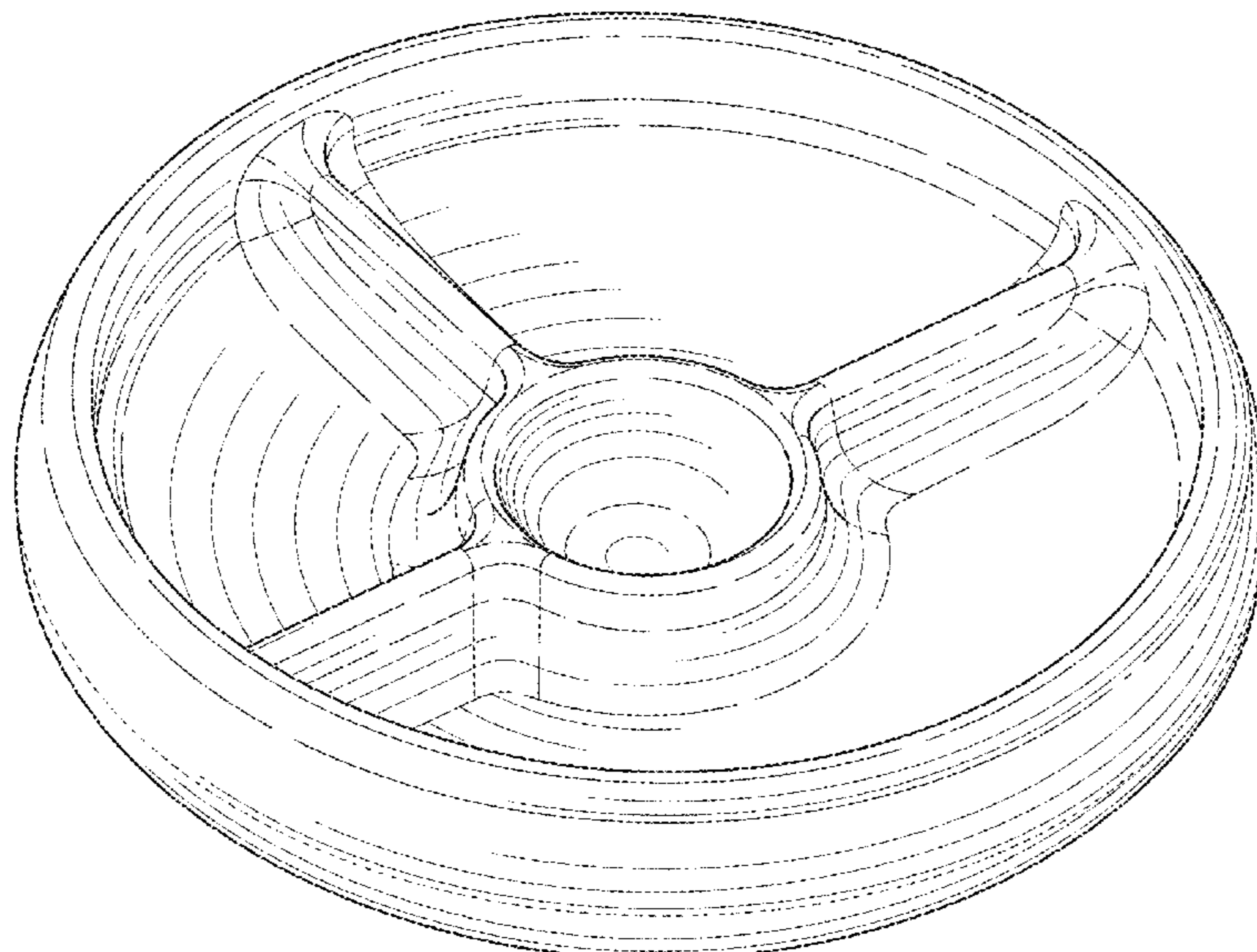
**DESCRIPTION**

**U.S. PATENT DOCUMENTS**

D194,054 S \* 11/1962 Grossman ..... D7/556  
D221,883 S \* 9/1971 Cash ..... D7/553.6  
D225,364 S \* 12/1972 Antoni ..... D7/553.6  
3,773,212 A \* 11/1973 Sekuler ..... A47G 19/02  
220/575  
D368,409 S \* 4/1996 Schwartz ..... D7/549  
D444,676 S \* 7/2001 Murphy ..... D7/553.6  
D526,852 S \* 8/2006 Littlejohn ..... D7/553.6  
D547,127 S \* 7/2007 Haughton ..... D7/553.6  
D609,058 S \* 2/2010 Roth ..... D7/602  
8,006,369 B2 \* 8/2011 Shew ..... B65D 51/249  
29/527.1  
D684,431 S \* 6/2013 Holding ..... D7/555

FIG. 1 is a perspective view of a silicone divided plate; FIG. 2 is a top plan view thereof; FIG. 3 is a bottom plan view thereof; FIG. 4 is a right elevation view thereof; FIG. 5 is a left elevation view thereof; FIG. 6 is a front elevation view thereof; FIG. 7 is a rear elevation view thereof; and, FIG. 8 is a cross-section view taken from line 8-8 in FIG. 2. The broken lines in the drawings depict portions of the silicone divided plate that form no part of the claimed design.

**1 Claim, 4 Drawing Sheets**



(56)

**References Cited**

U.S. PATENT DOCUMENTS

2015/0008231 A1\* 1/2015 Kellow, Jr. .... A47G 19/065  
220/575  
2015/0090726 A1\* 4/2015 Reichel ..... A47G 19/02  
220/575

\* cited by examiner

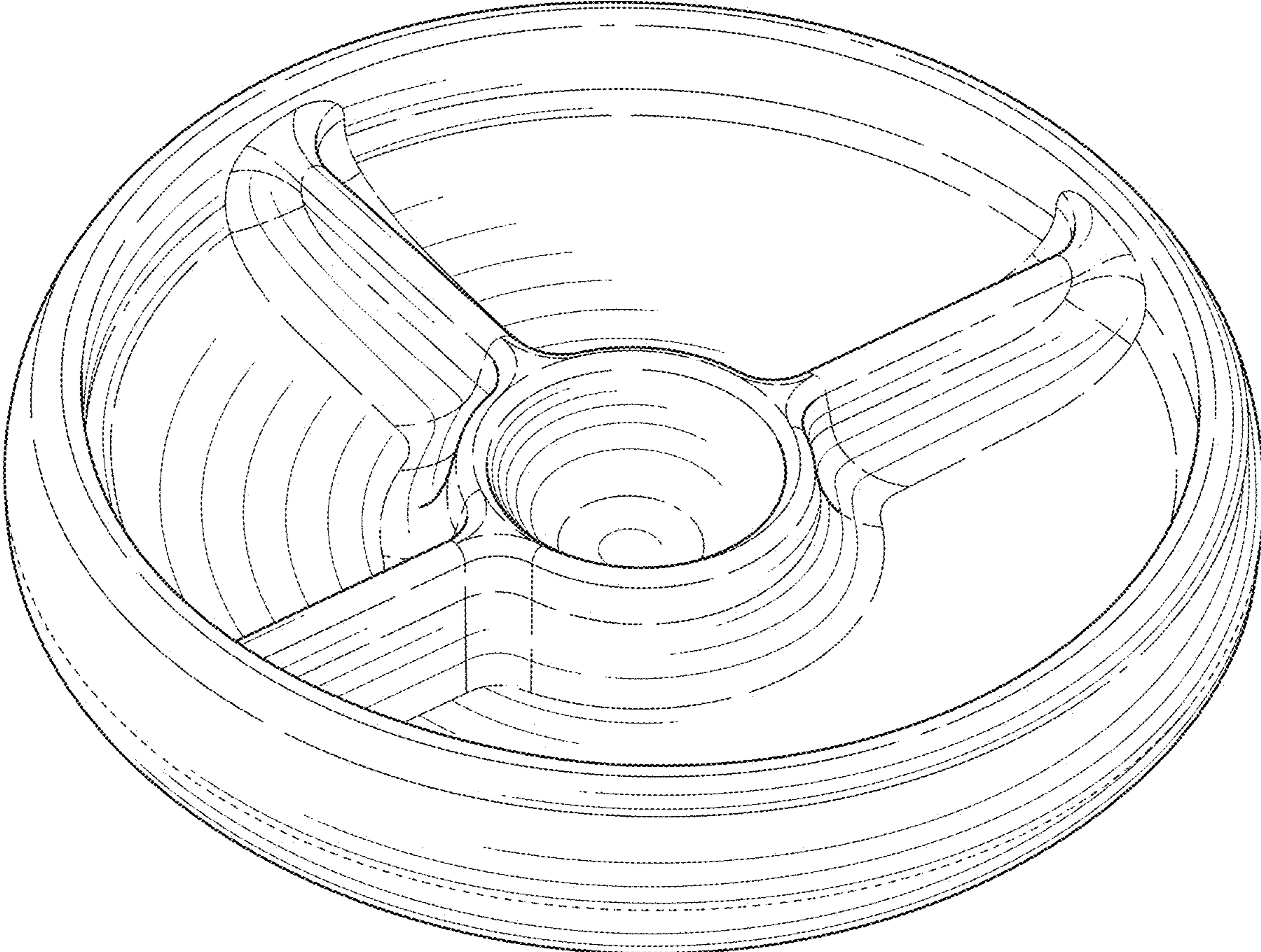


FIG. 1



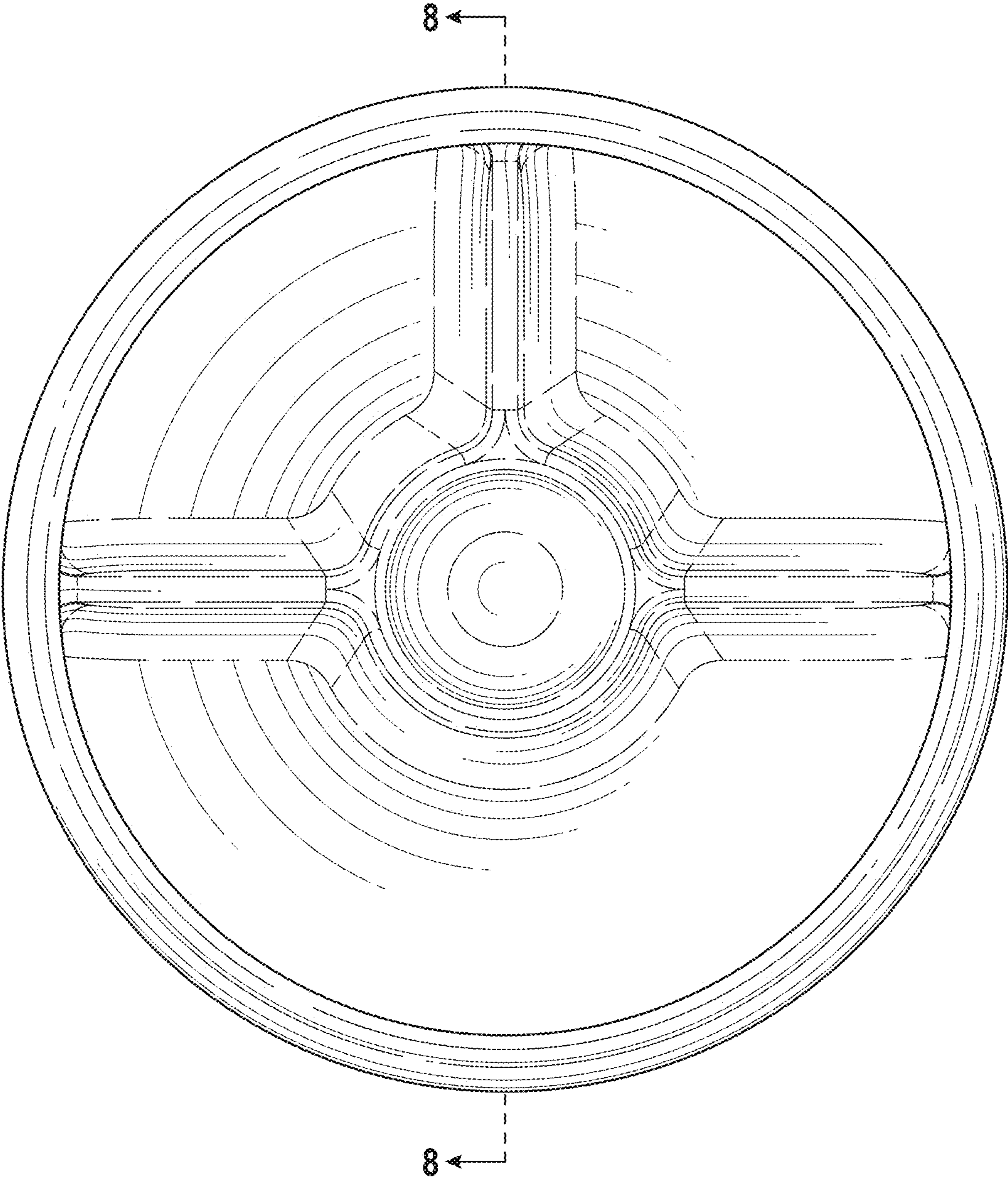


FIG. 2

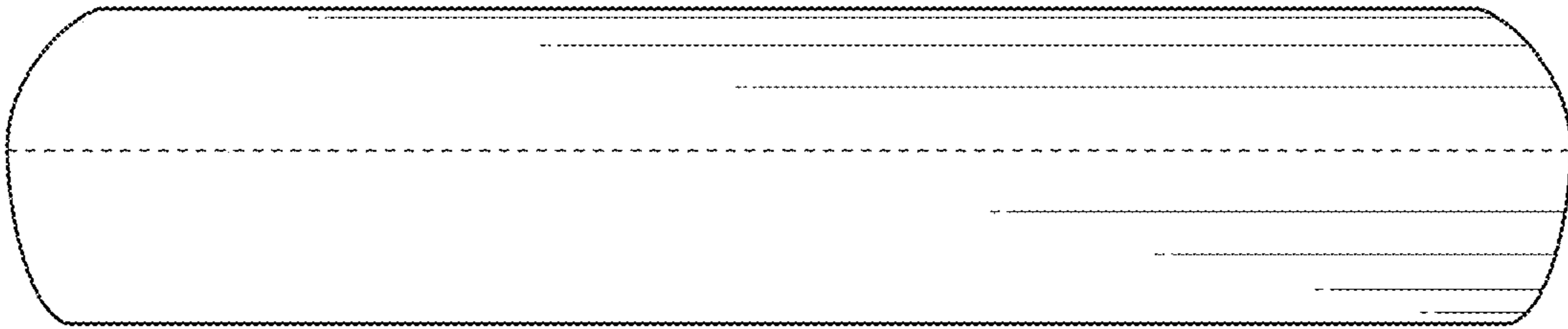


FIG. 5

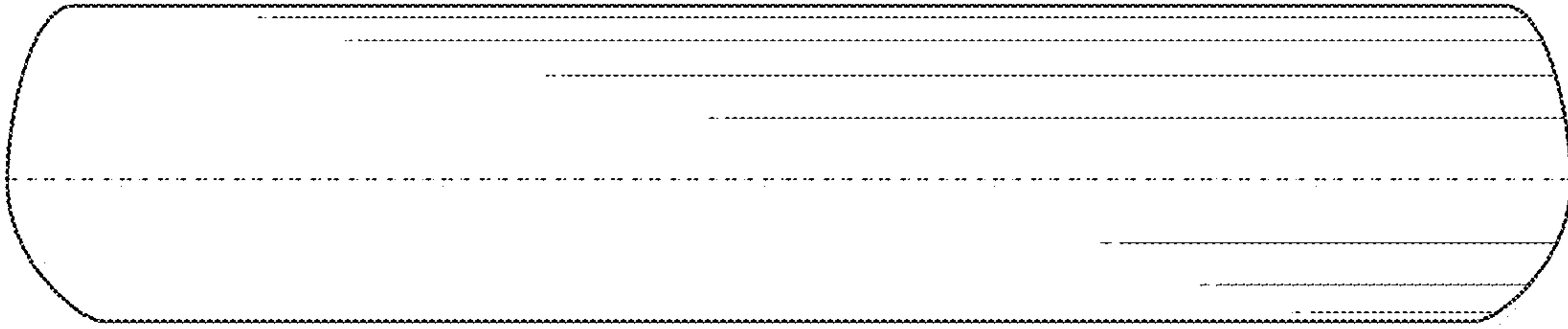


FIG. 4

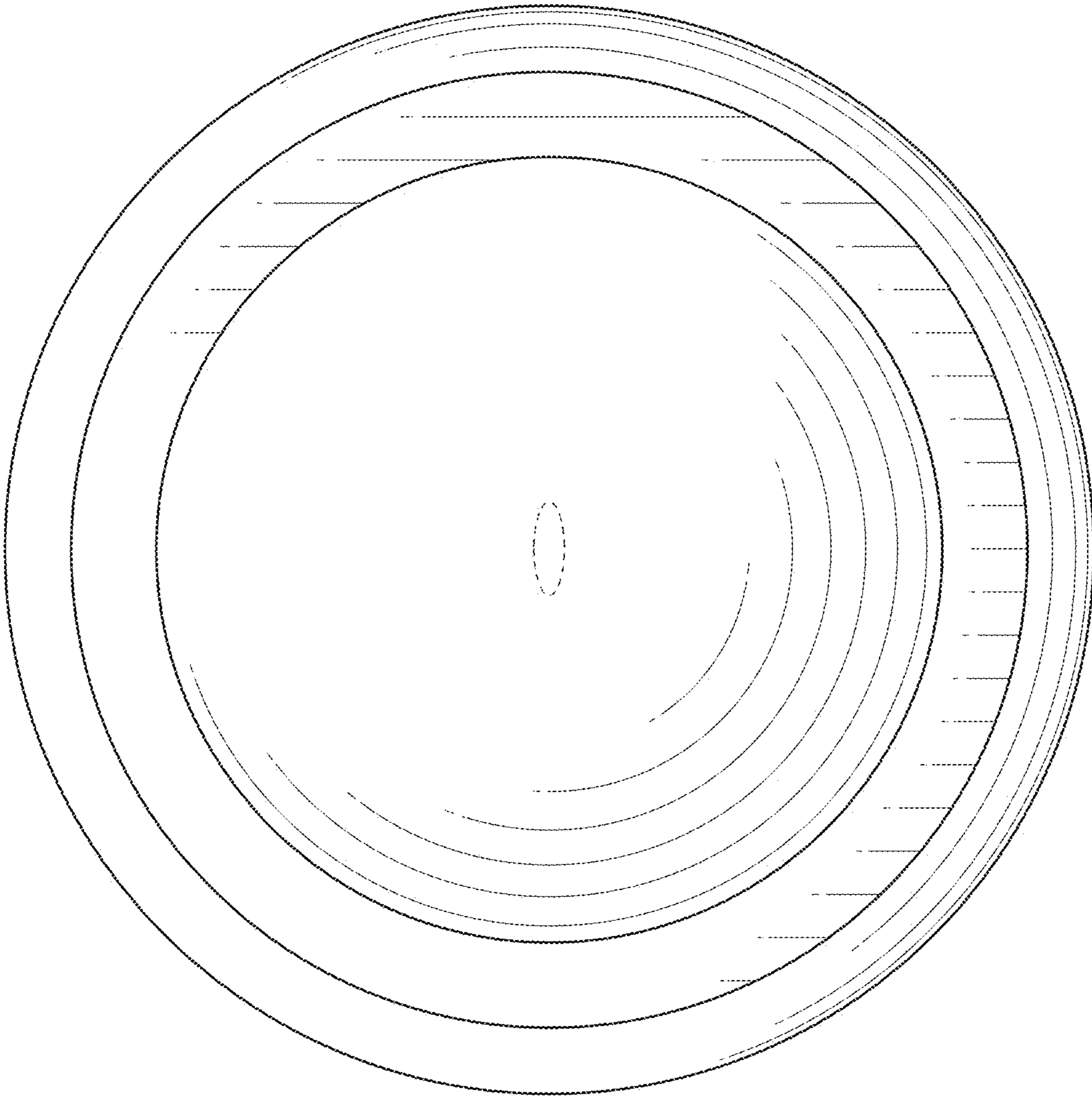


FIG. 3

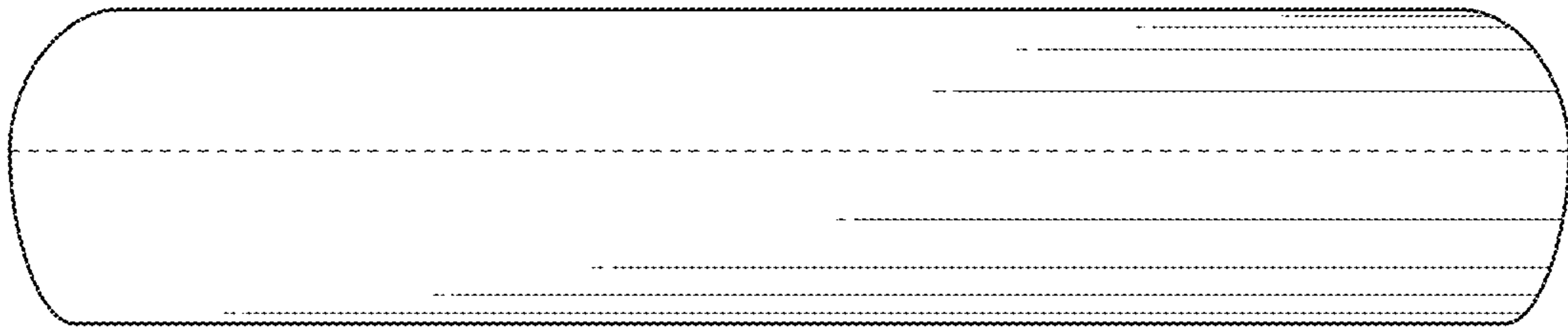


FIG. 6

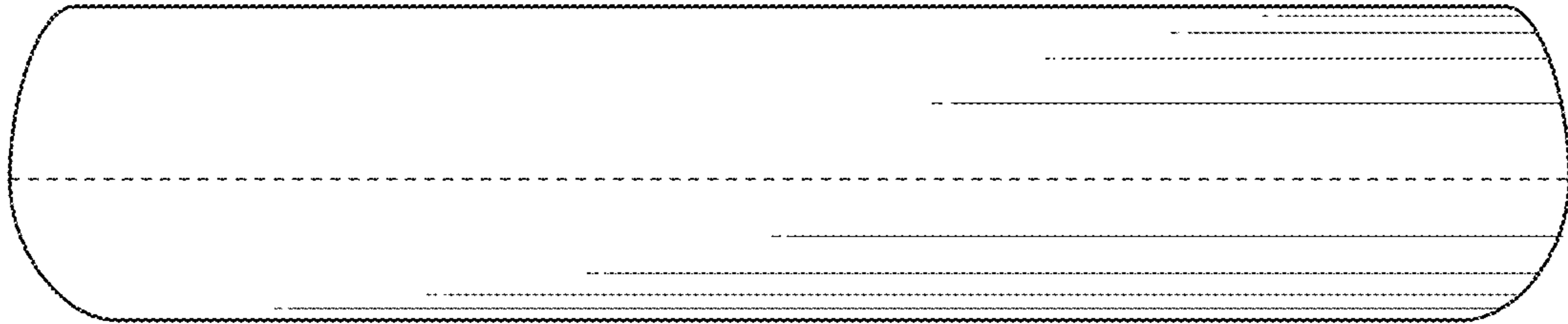


FIG. 7

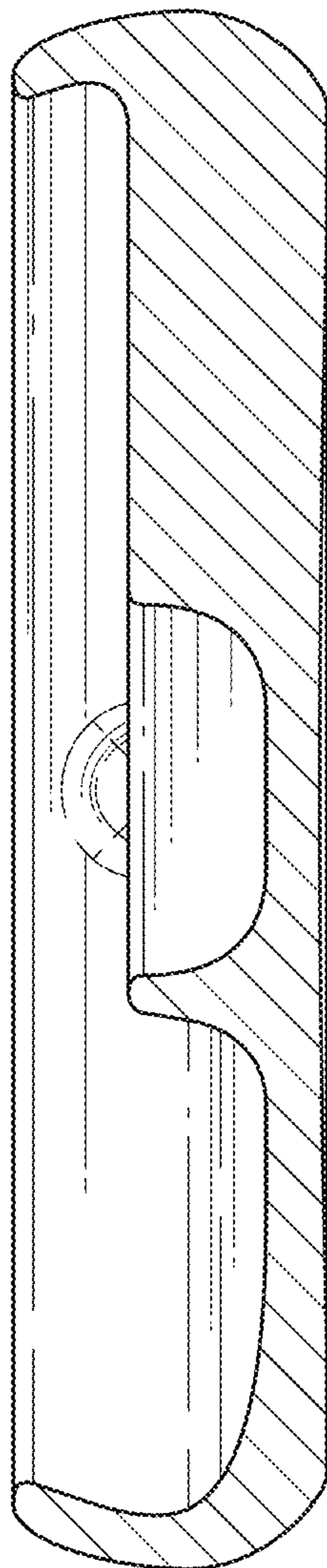


FIG. 8