



US00D931053S

(12) **United States Design Patent**
Sonnichsen et al.

(10) **Patent No.:** **US D931,053 S**

(45) **Date of Patent:** **** Sep. 21, 2021**

(54) **DRINKING VESSEL**

(71) Applicant: **GrowlerWerks, Inc.**, Portland, OR (US)

(72) Inventors: **Brian Edward Sonnichsen**, Portland, OR (US); **Shawn Leland Huff**, Portland, OR (US); **Evan Christopher Rege**, Portland, OR (US)

(73) Assignee: **GrowlerWerks, Inc.**, Portland, OR (US)

(**) Term: **15 Years**

(21) Appl. No.: **29/668,309**

(22) Filed: **Oct. 29, 2018**

Related U.S. Application Data

(62) Division of application No. 29/599,687, filed on Apr. 5, 2017, now Pat. No. Des. 832,052.

(51) **LOC (13) Cl.** **07-01**

(52) **U.S. Cl.**
USPC **D7/531; D7/523**

(58) **Field of Classification Search**
USPC D7/509, 510, 511, 523, 532, 534, 536, D7/300.1, 533, 394, 395, 531, 608, 529, D7/513, 507, 213; D24/197; D9/435, D9/447, 429, 553, 566
CPC A47G 19/22; A47G 19/2205; A47G 19/2211; A47G 19/2266; A47G 19/2288; B65D 47/066; B65D 43/02; B65D 43/04; A47J 43/27; A47J 41/02

See application file for complete search history.

(56) **References Cited**

U.S. PATENT DOCUMENTS

D8,390 S * 6/1875 Pears D7/536
2,021,495 A * 11/1935 Anderson A47J 43/27
366/130

D255,339 S * 6/1980 Christian D11/152
D345,105 S * 3/1994 Ramsey D9/556
5,720,555 A * 2/1998 Elele G01K 11/16
116/216
D433,876 S * 11/2000 Freed D7/523
D439,167 S * 3/2001 Lichtman D9/539
D441,294 S * 5/2001 Lichtman D9/539
D472,101 S * 3/2003 Janky D7/523
D507,152 S * 7/2005 Trombly D7/531
D525,138 S * 7/2006 Shmagin D9/520
D527,643 S * 9/2006 Gottlieb D9/520
D545,199 S * 6/2007 MacLean D9/517
D557,561 S * 12/2007 Flowers D7/509
D609,053 S * 2/2010 Dingenouts D7/509
D639,113 S * 6/2011 Hayes D7/509
D644,064 S * 8/2011 DuBois D30/129
D648,599 S * 11/2011 Watanabe D7/509
D659,473 S * 5/2012 Ghiassi D7/510
D673,421 S * 1/2013 Chiu D7/396.2
D721,924 S * 2/2015 Trafton D7/507

(Continued)

Primary Examiner — Jae Liang

(74) *Attorney, Agent, or Firm* — Miller Nash LLP

(57) **CLAIM**

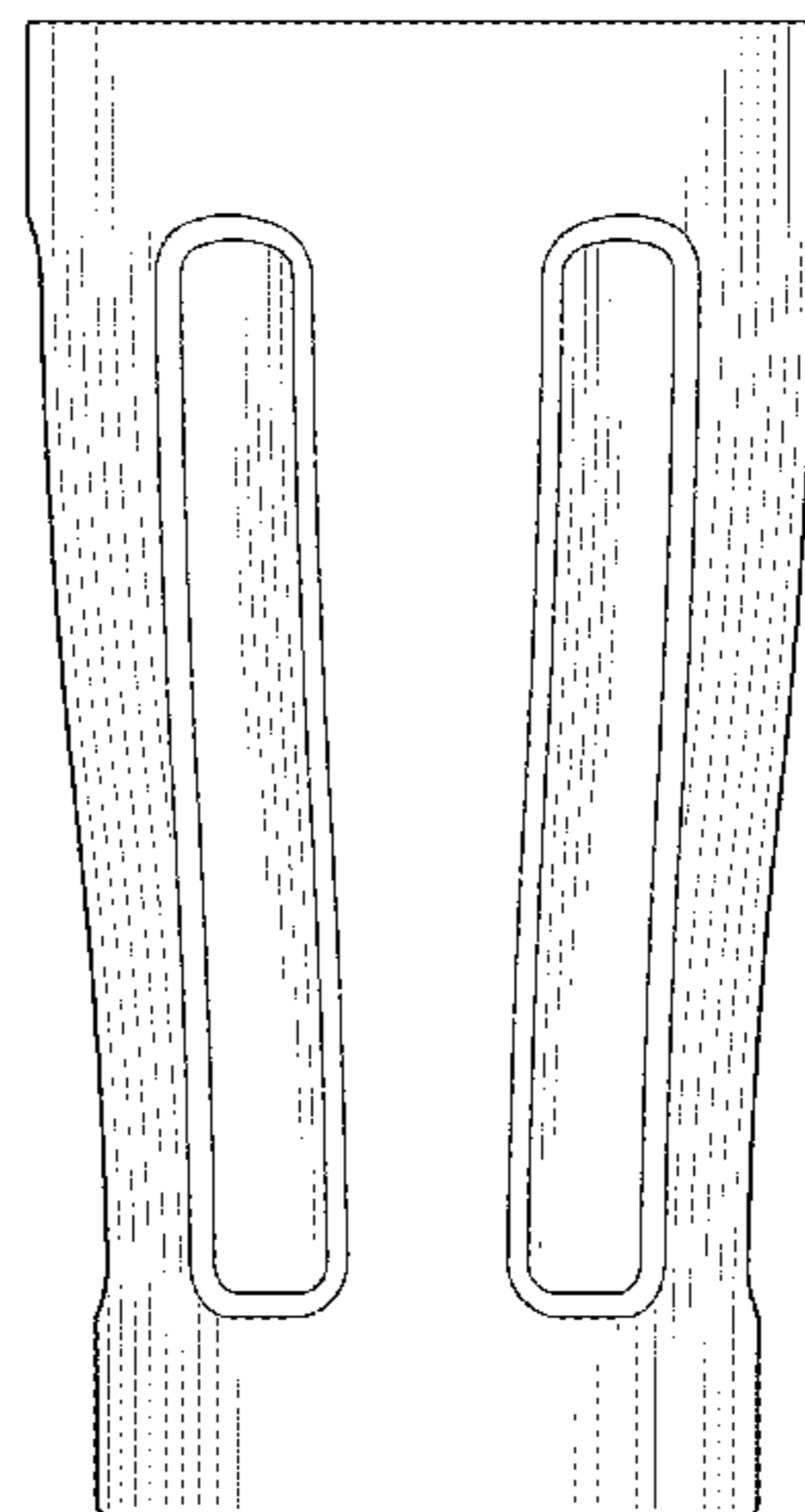
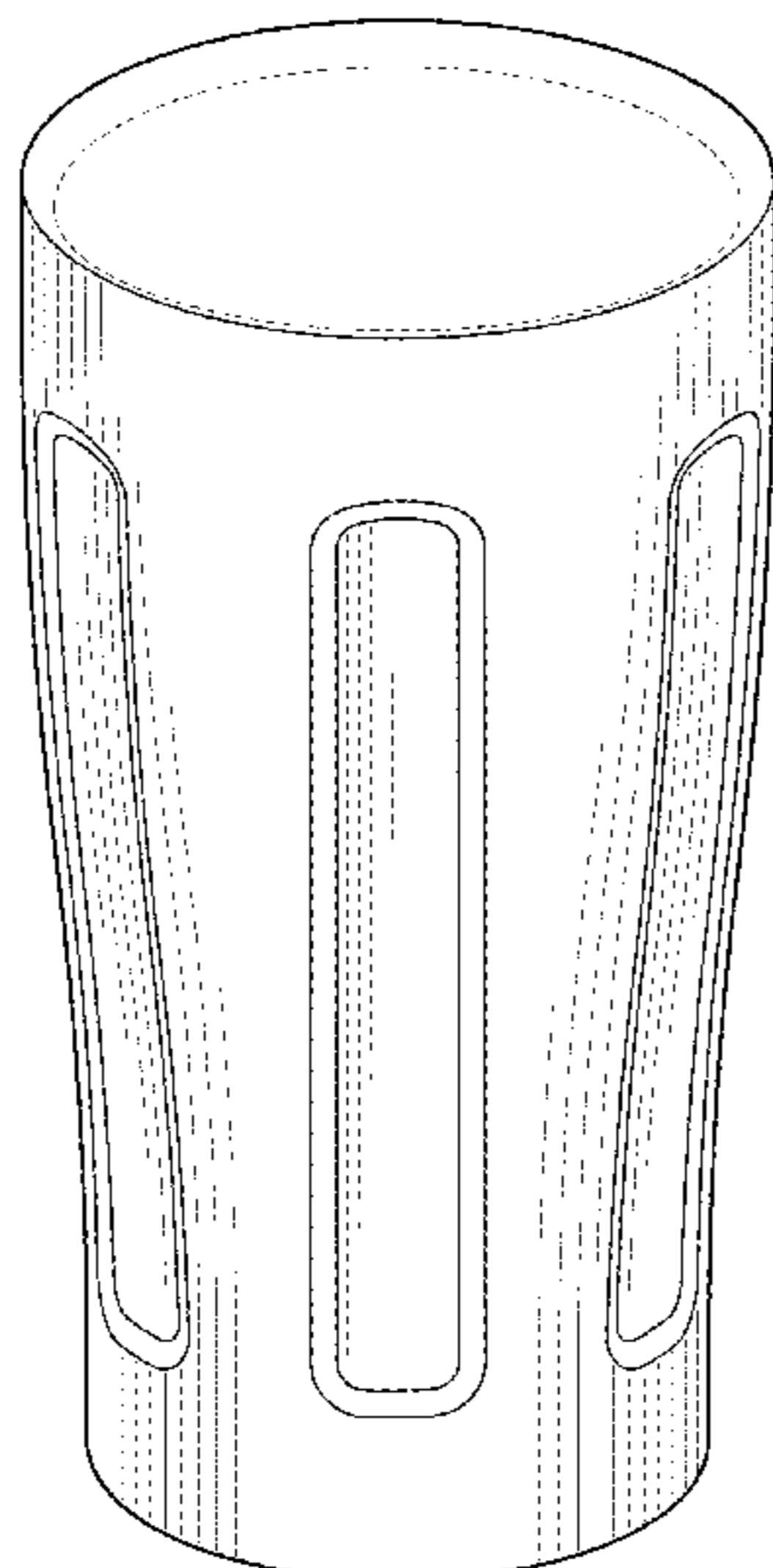
The ornamental design for a drinking vessel, as shown and described.

DESCRIPTION

FIG. 1 is a top perspective view of a drinking vessel showing our new design;
FIG. 2 is a front elevational view thereof;
FIG. 3 is a rear elevational view thereof;
FIG. 4 is a top view thereof;
FIG. 5 is a bottom view thereof; and,
FIG. 6 is a cross-sectional view thereof taken along the lines 6-6 in FIG. 2.

The broken lines in the drawings depict portions of the drinking vessel that form no part of the claimed design.

1 Claim, 5 Drawing Sheets



(56)

References Cited

U.S. PATENT DOCUMENTS

D727,686	S *	4/2015	Meyerhoffer	D7/509
D744,279	S *	12/2015	Arciero	D7/510
D754,482	S *	4/2016	Cha	D7/523
D762,418	S *	8/2016	Sorensen	D7/511
D770,289	S	11/2016	Evans et al.	
D799,274	S *	10/2017	Hewitt	D7/531
D800,501	S *	10/2017	Rummel	D7/509
D804,331	S *	12/2017	Kim	D10/46.2
D811,817	S	3/2018	Harrington, III et al.	
D830,126	S *	10/2018	Rohe	D7/510
D832,052	S *	10/2018	Sonnichsen	D7/531
D847,577	S *	5/2019	Khan	D7/523
2004/0007553	A1 *	1/2004	Smolko	A41D 13/0053 215/12.1
2008/0290101	A1 *	11/2008	Stecca	A47G 19/2205 220/703
2014/0124470	A1	5/2014	Alberts	
2016/0095454	A1 *	4/2016	Flood	B65D 51/28 206/216
2016/0242598	A1 *	8/2016	Alexander	A47J 36/2433

* cited by examiner

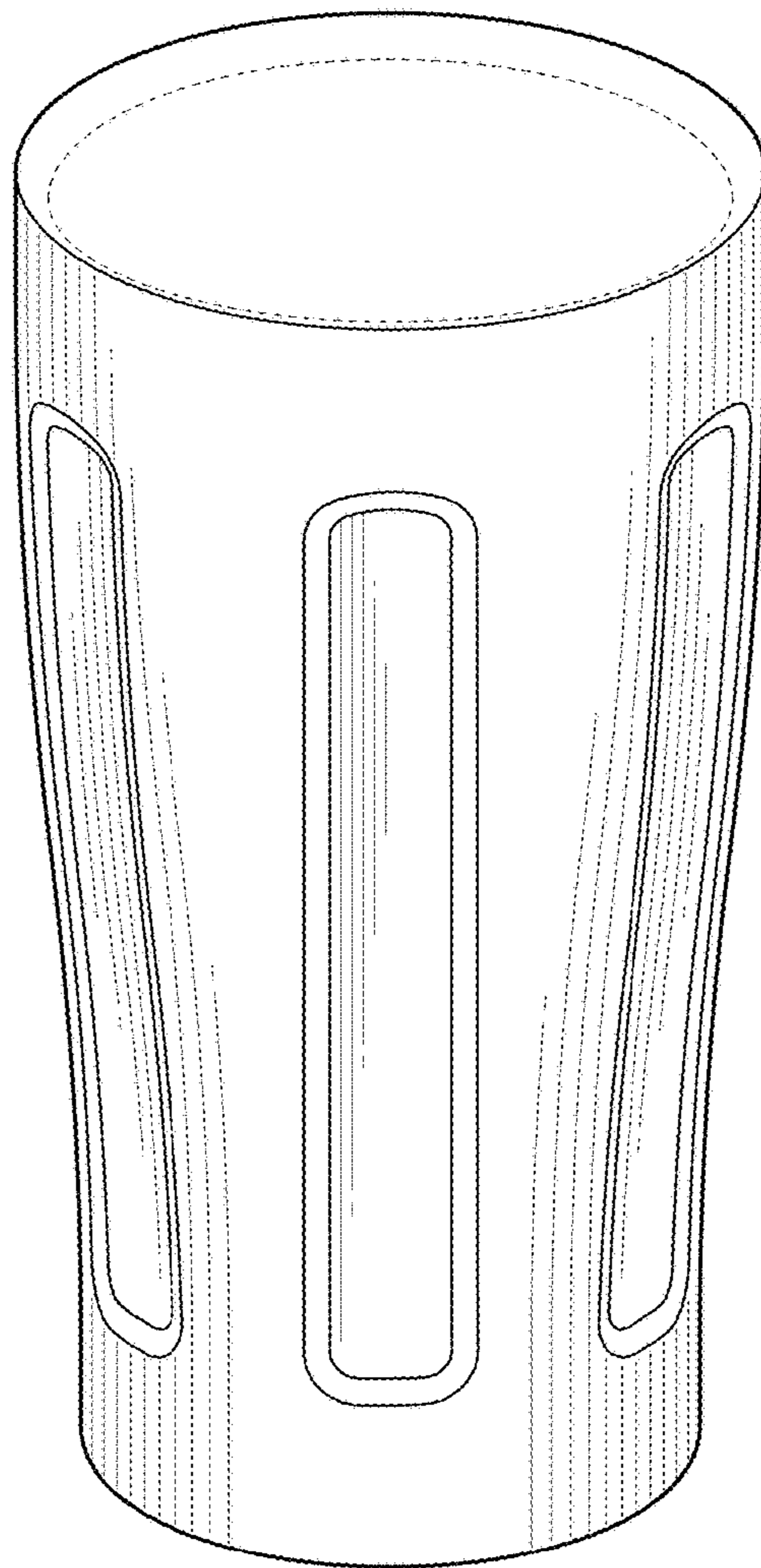


FIG. 1

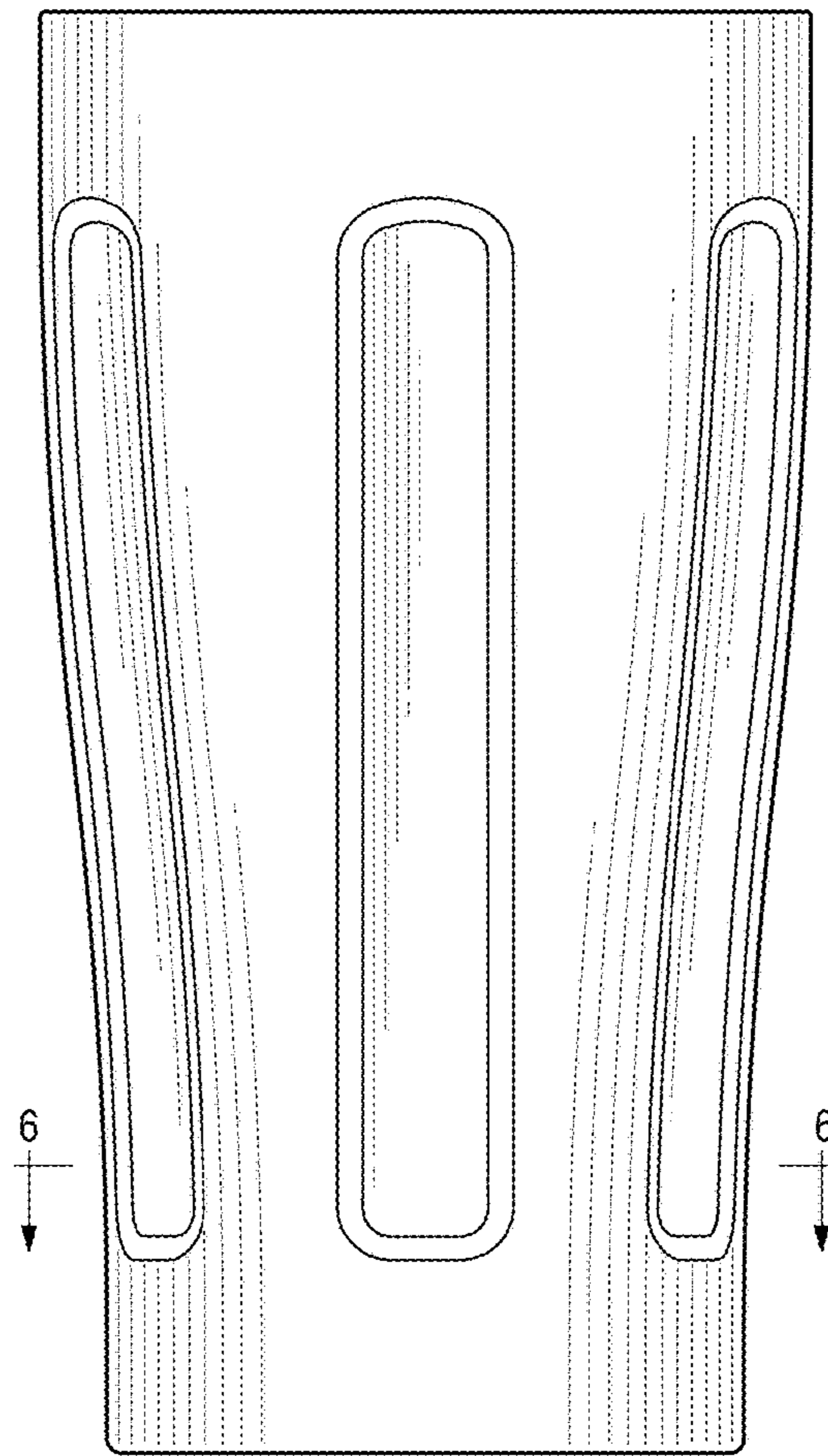


FIG. 2

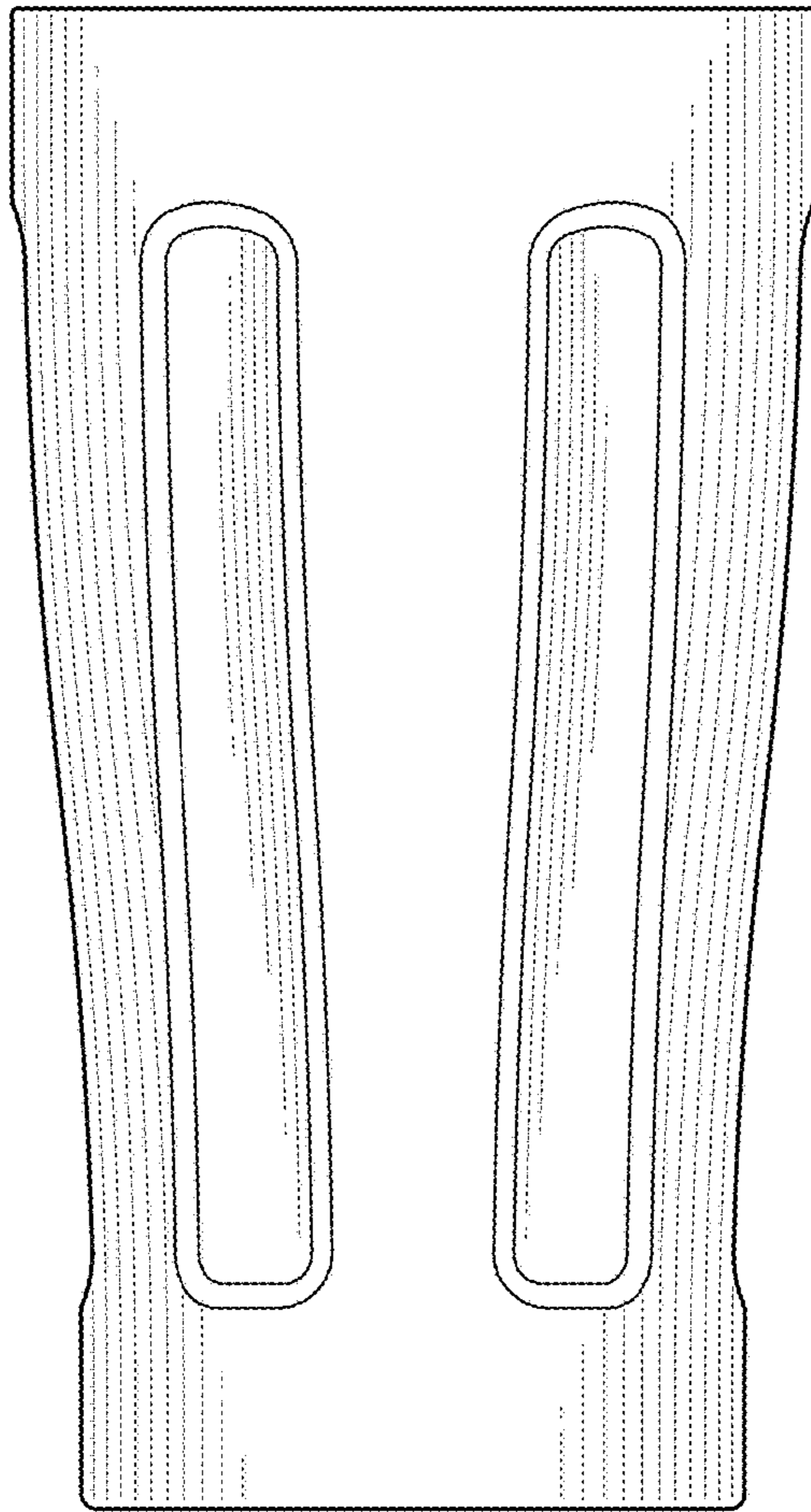


FIG. 3

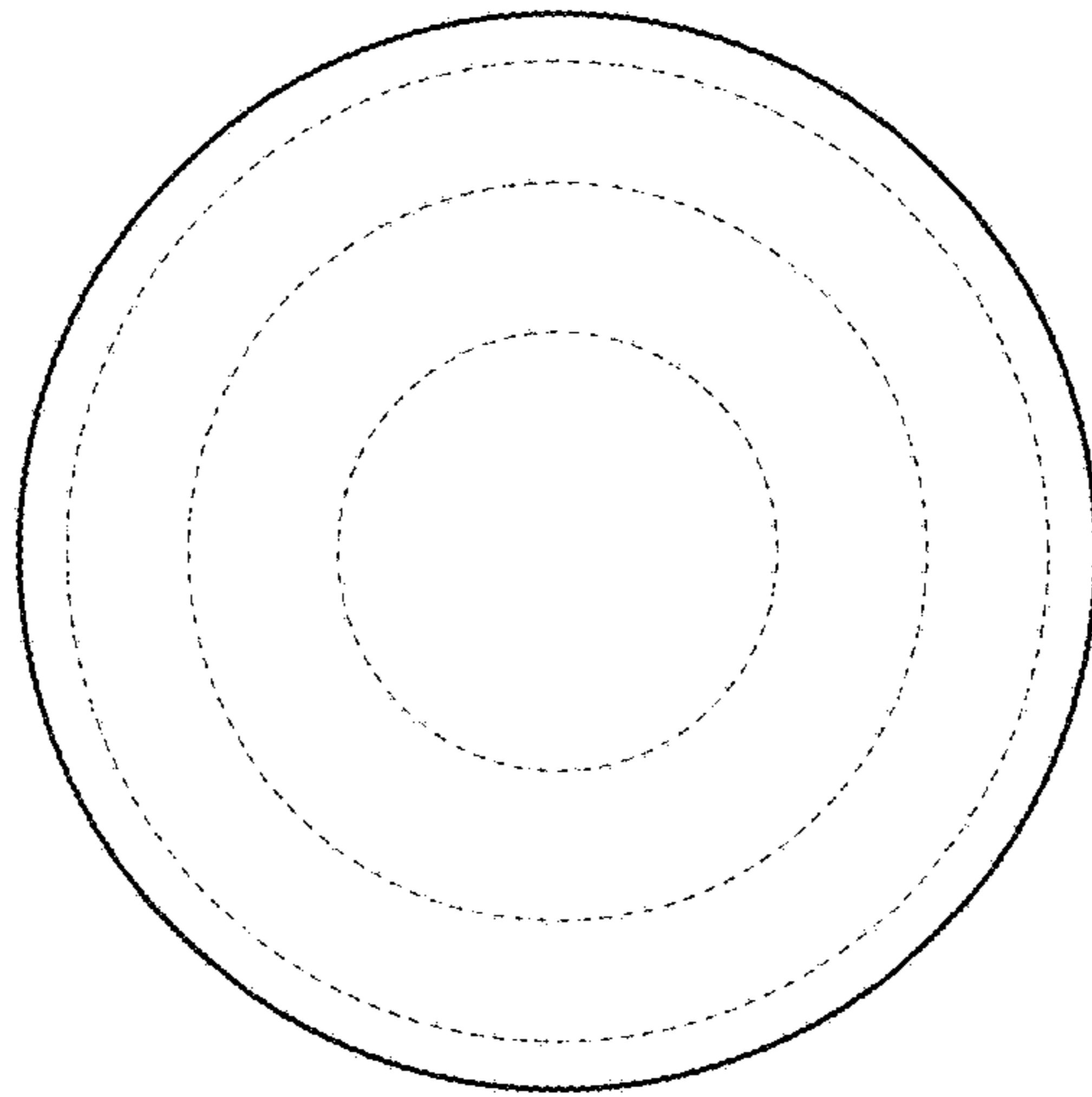


FIG. 4

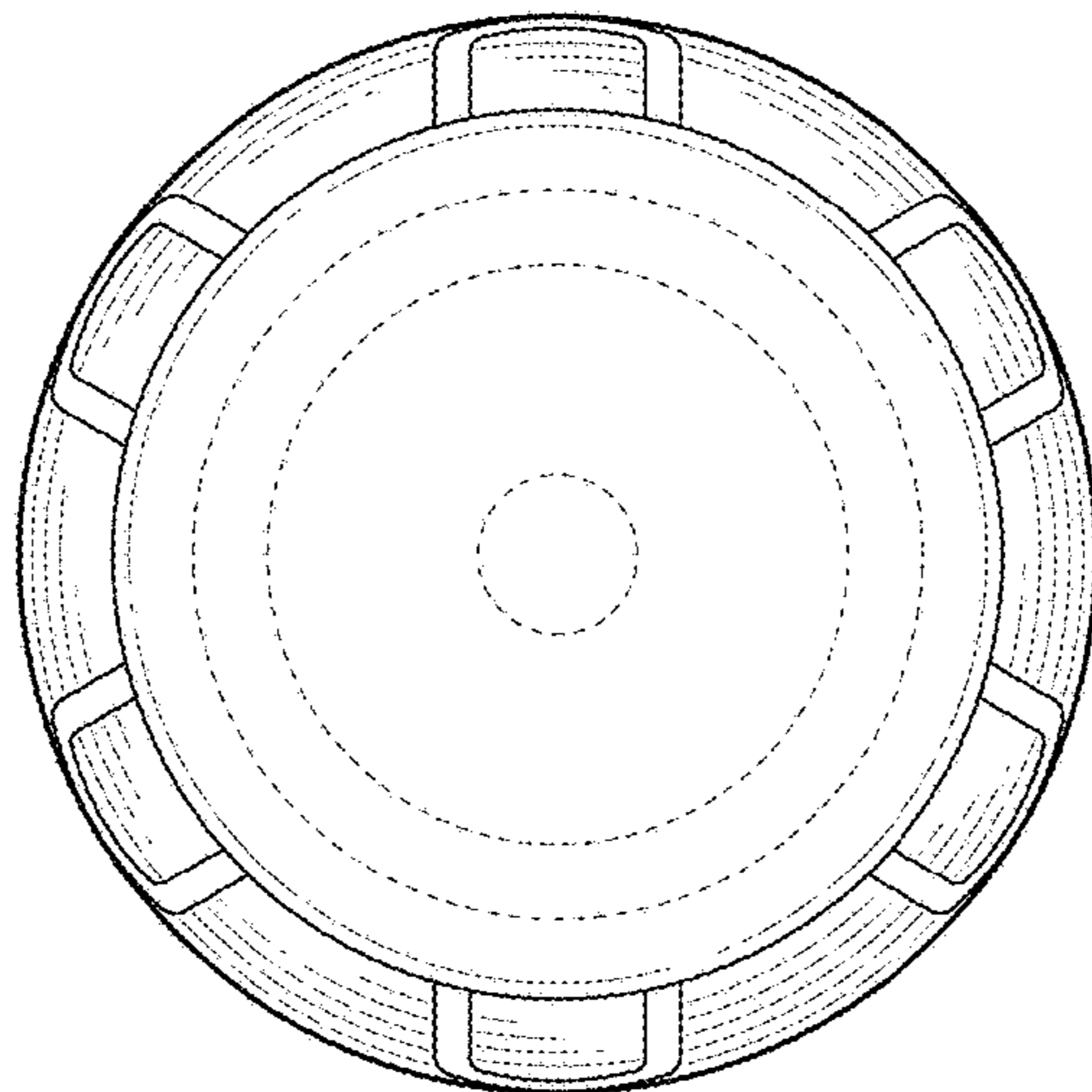


FIG. 5

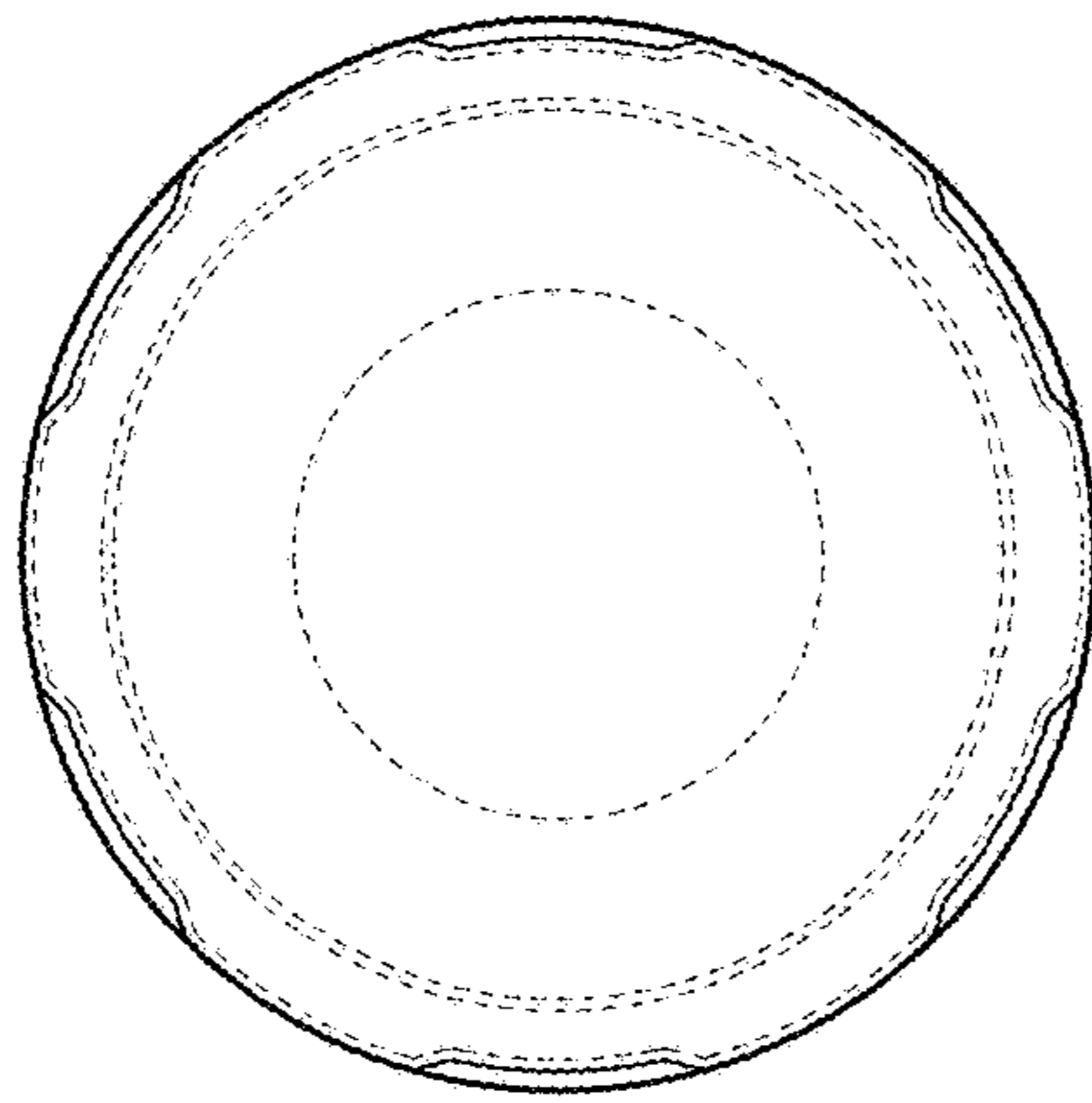


FIG. 6