



US00D931052S

(12) **United States Design Patent**
Shen

(10) **Patent No.:** **US D931,052 S**
(45) **Date of Patent:** **** Sep. 21, 2021**

(54) **FOLDABLE CUP**

(71) Applicant: **Min Shen**, Shenzhen (CN)

(72) Inventor: **Min Shen**, Shenzhen (CN)

(**) Term: **15 Years**

(21) Appl. No.: **29/701,828**

(22) Filed: **Aug. 15, 2019**

(30) **Foreign Application Priority Data**

Jul. 12, 2019 (CN) 201930372003.1

(51) **LOC (13) Cl.** **07-01**

(52) **U.S. Cl.**
USPC **D7/512**

(58) **Field of Classification Search**
USPC D7/509-512, 300, 300.1, 213, 523, 532,
D7/591; D9/516, 559, 564, 695
CPC A47G 19/22; A47G 19/2205; A47G
2019/2277; A45F 3/16; A45F 3/20; A45F
2003/206; A47J 43/27; B65D 1/40
See application file for complete search history.

(56) **References Cited**

U.S. PATENT DOCUMENTS

D358,764 S * 5/1995 Robbins, III D9/428
5,439,128 A * 8/1995 Fishman A45F 3/20
206/218
D522,809 S * 6/2006 Kusuma B65D 21/086
D7/602

(Continued)

OTHER PUBLICATIONS

Collapsible Coffee Cup| posted at Amazon.com, posted on Sep. 8, 2018, © 1996-2021 Amazon.com, [online], [site visited Jun. 30, 2021]. Available from Internet, <URL: <https://www.amazon.com/iGreely-Collapsible-Coffee-Silicone-Folding/dp/B07GVCVKMN/>> (Year: 2018).*

(Continued)

Primary Examiner — Susan E Krakower

Assistant Examiner — Andrew Kerr

(74) *Attorney, Agent, or Firm* — JCIP Global Inc.

(57) **CLAIM**

The ornamental design for a foldable cup, as shown and described.

DESCRIPTION

FIG. 1 is a first perspective view of a foldable cup showing my new design, shown with a rotatable cover in a first position;

FIG. 2 is a second perspective view of the foldable cup of FIG. 1;

FIG. 3 is a front view of the foldable cup of FIG. 1;

FIG. 4 is a rear view of the foldable cup of FIG. 1;

FIG. 5 is a left side view of the foldable cup of FIG. 1;

FIG. 6 is a right side view of the foldable cup of FIG. 1;

FIG. 7 is a top view of the foldable cup of FIG. 1;

FIG. 8 is a bottom view of the foldable cup of FIG. 1;

FIG. 9 is a top view of the foldable cup of FIG. 1, shown with a rotatable cover in a second position;

FIG. 10 an enlarged view of the encircled portion in FIG. 1; FIG. 11 is a front view of the foldable cup of FIG. 1 in a first folded configuration;

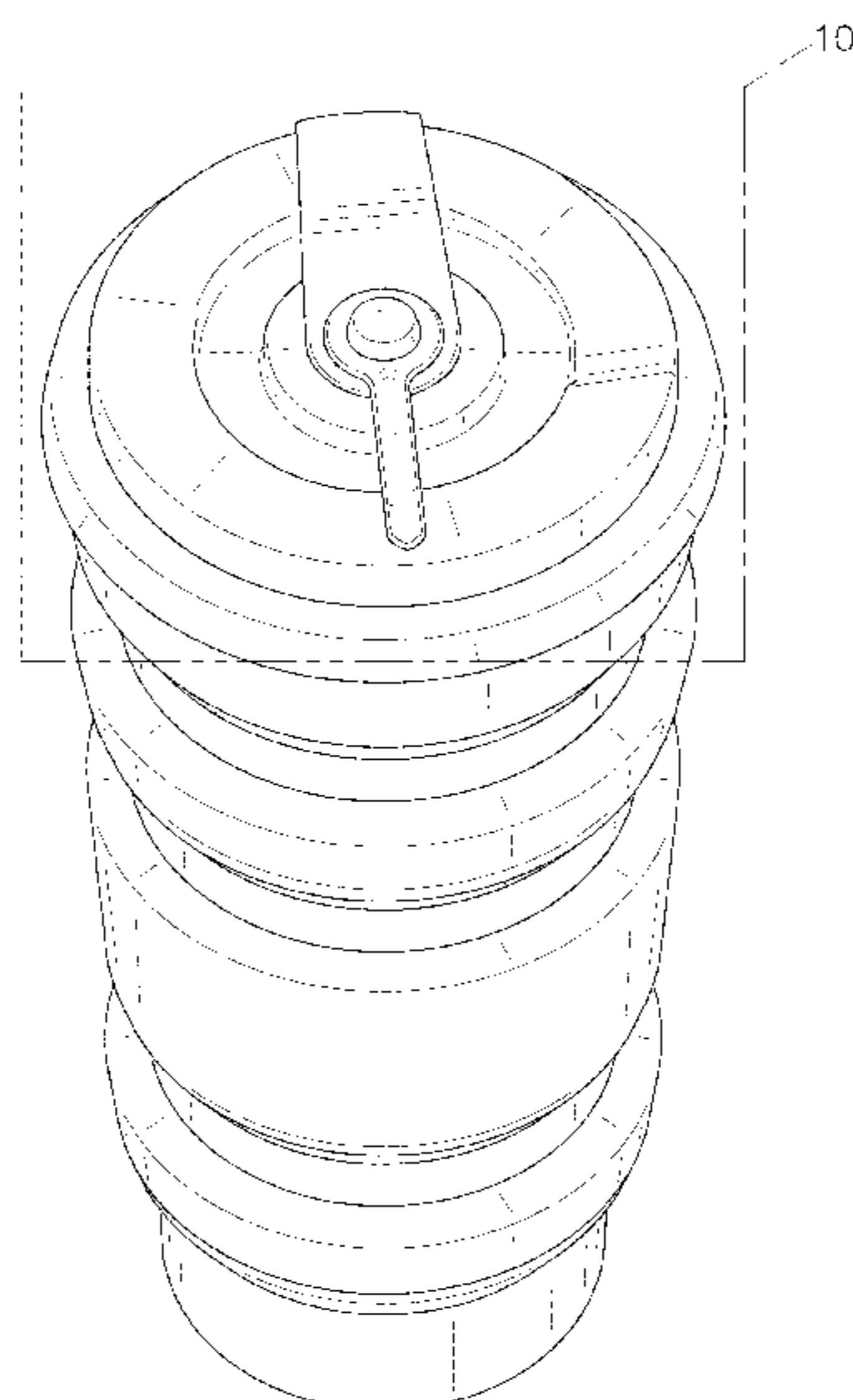
FIG. 12 is a front view of the foldable cup of FIG. 1 in a second folded configuration;

FIG. 13 is a front view of the foldable cup of FIG. 1 in a third folded configuration; and,

FIG. 14 is a front view of the foldable cup of FIG. 1 in a fourth folded configuration.

The dash-dash broken lines shown are included for the purpose of illustration portions of the article which form no part of the claimed design. The short-short-long dashed broken lines encircling portions of the claimed design that are illustrated in enlargements form no part of the claimed design.

1 Claim, 14 Drawing Sheets



(56)

References Cited

U.S. PATENT DOCUMENTS

D662,794 S * 7/2012 Enghard D7/700
D664,003 S * 7/2012 Nagoya D7/512
D675,482 S * 2/2013 Heggstad D7/512
D682,617 S * 5/2013 Miksovsky D7/512
8,887,942 B2 * 11/2014 Miksovsky B65D 1/40
220/521
9,119,507 B2 * 9/2015 Abrams A47J 41/0055
D756,705 S * 5/2016 Abrams D7/512
D779,886 S * 2/2017 Singlaub D7/532
D802,349 S * 11/2017 Resic D7/300.1
D828,068 S * 9/2018 Tsui D7/313
D832,051 S * 10/2018 Charleson D7/512
D867,606 S * 11/2019 Shapiro D24/197
D888,497 S * 6/2020 Cai D7/512
2005/0127074 A1 * 6/2005 Kusuma B65D 21/086
220/6
2012/0205371 A1 * 8/2012 Lee B65D 47/286
220/8
2013/0284753 A1 * 10/2013 Kellmann B65D 1/165
220/666

OTHER PUBLICATIONS

DARUNAXY Travel Cup posted at Amazon.com, posted on Feb. 21, 2019, © 1996-2021 Amazon.com, [online], [site visited Jun. 30, 2021], Available from Internet, <URL: <https://www.amazon.com/dp/B07P12TRPN/>> (Year: 2019).*

* cited by examiner

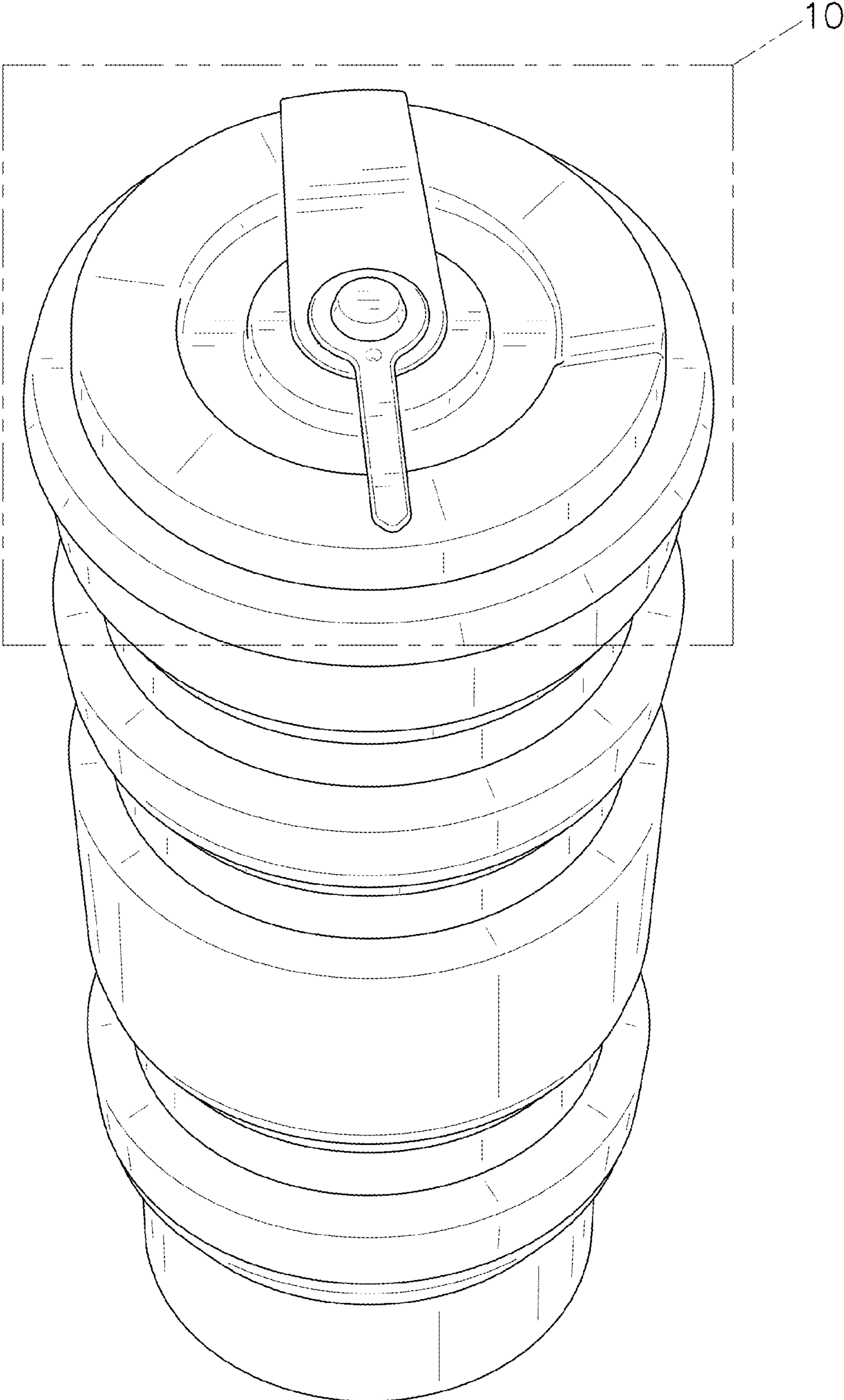


FIG. 1

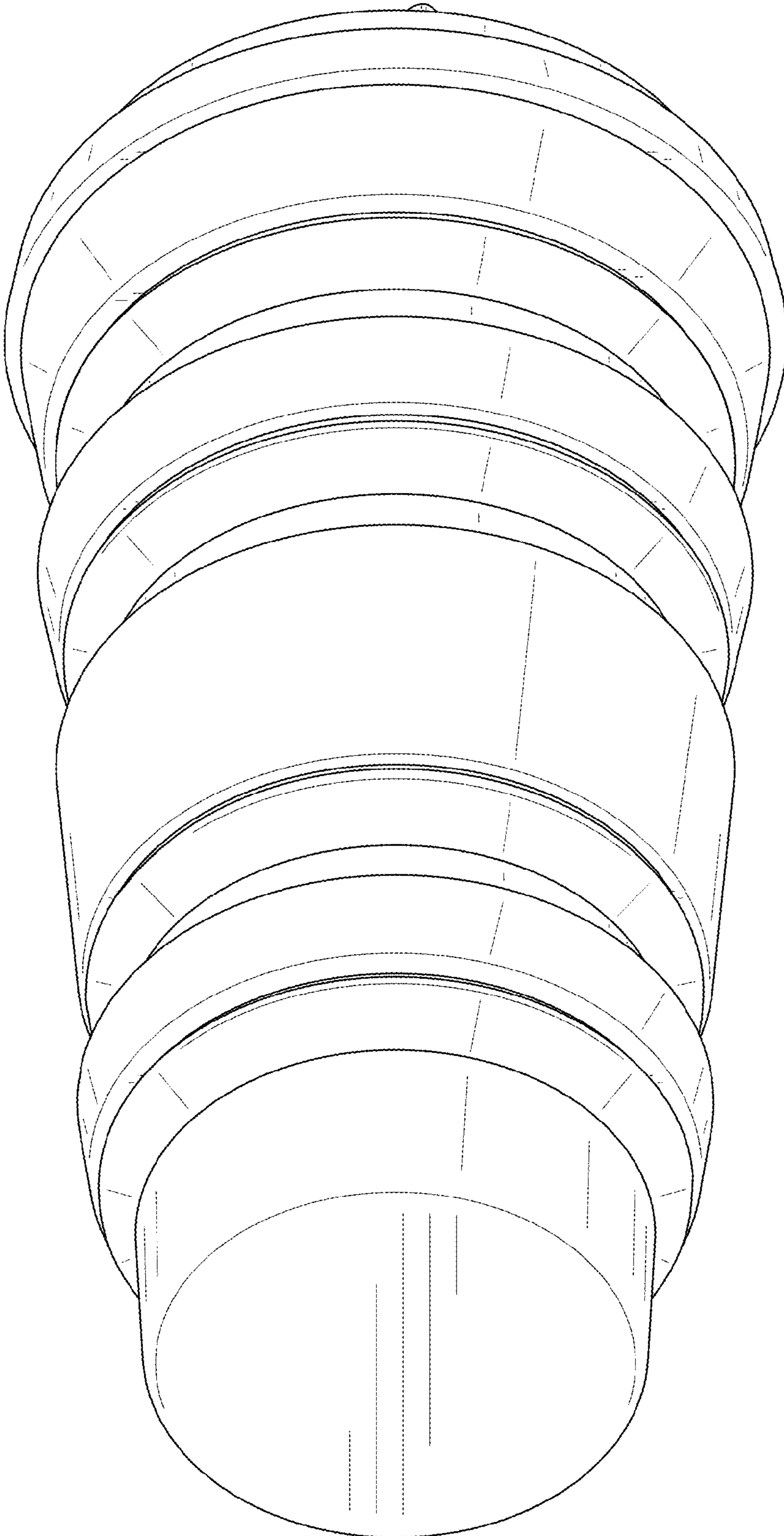


FIG. 2

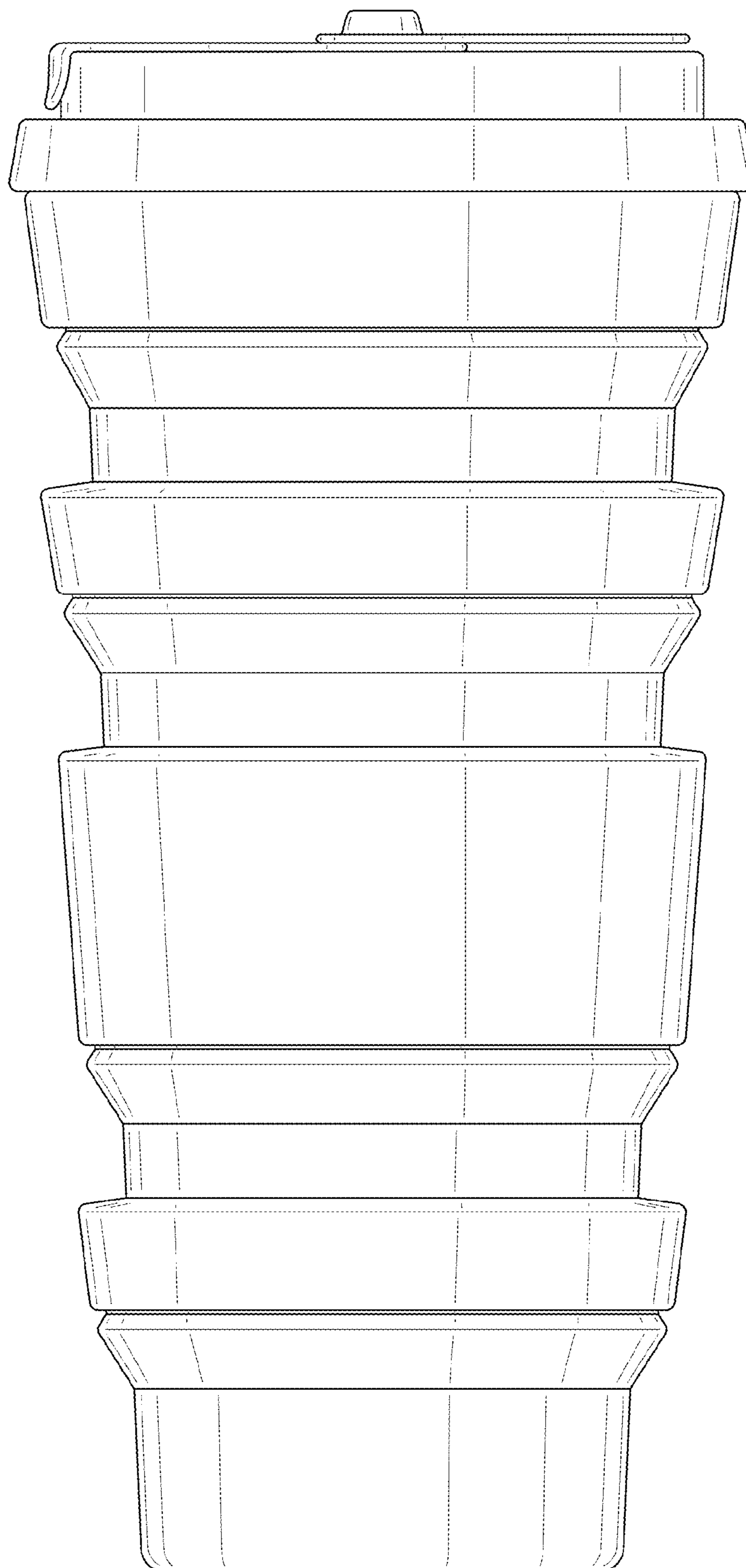


FIG. 3

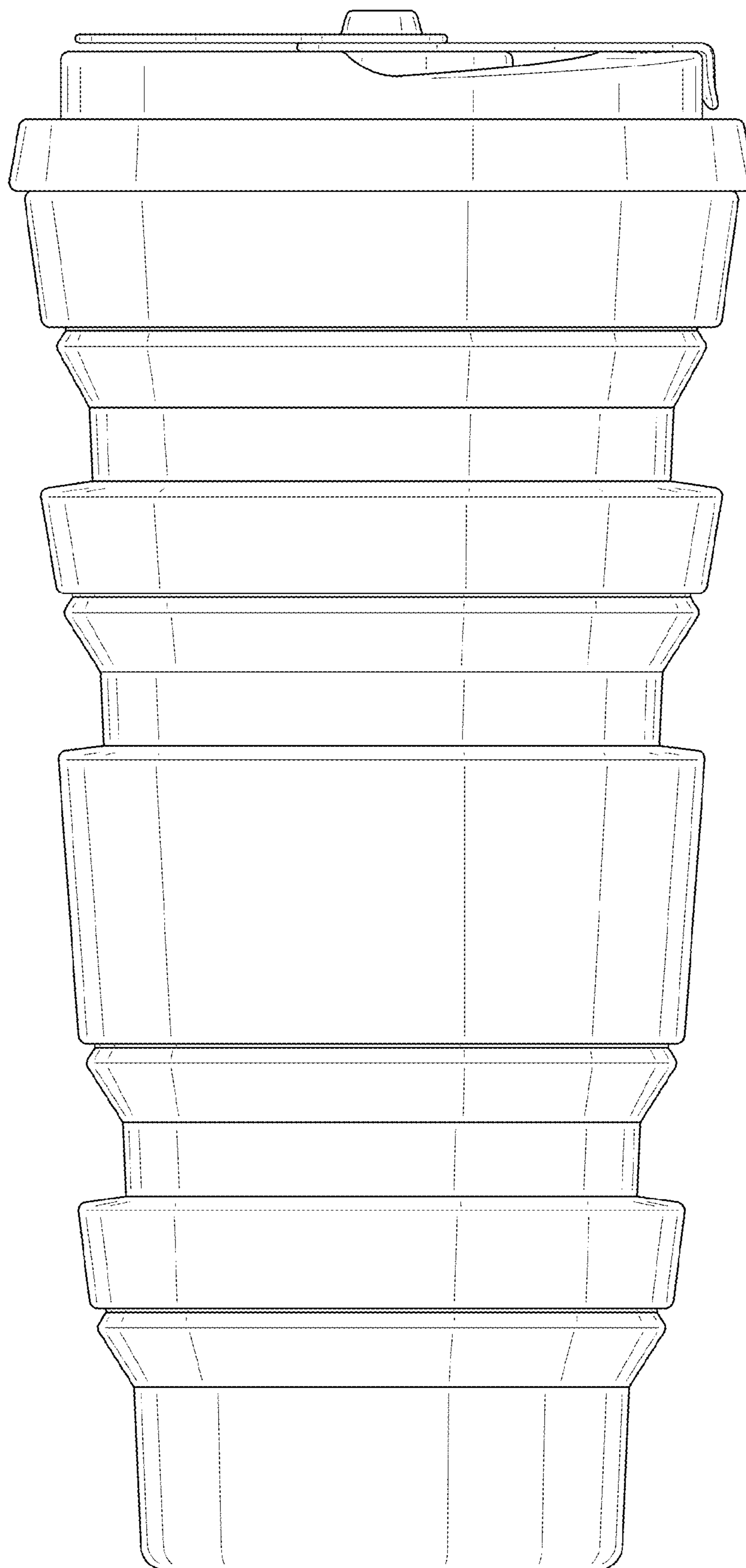


FIG. 4

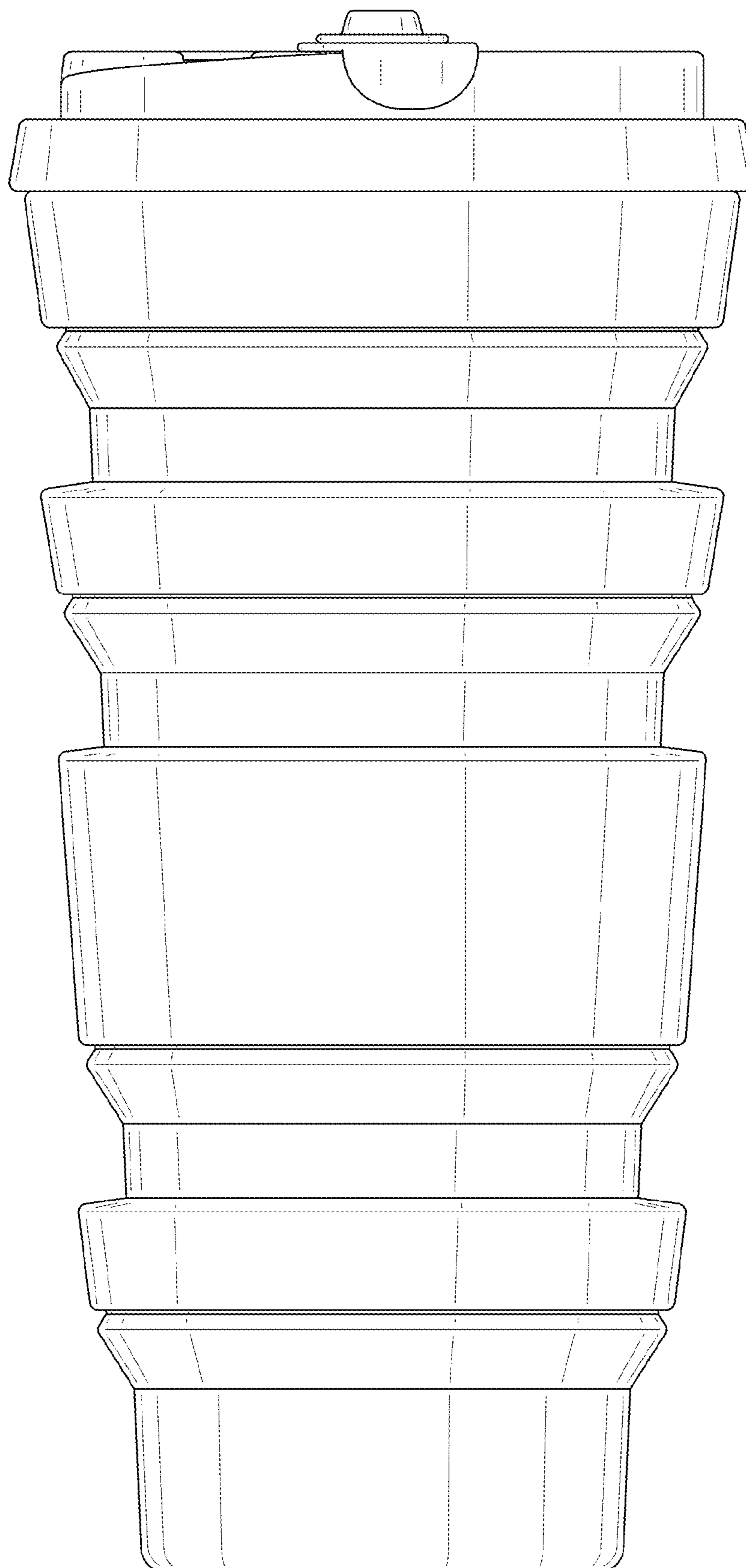


FIG. 5

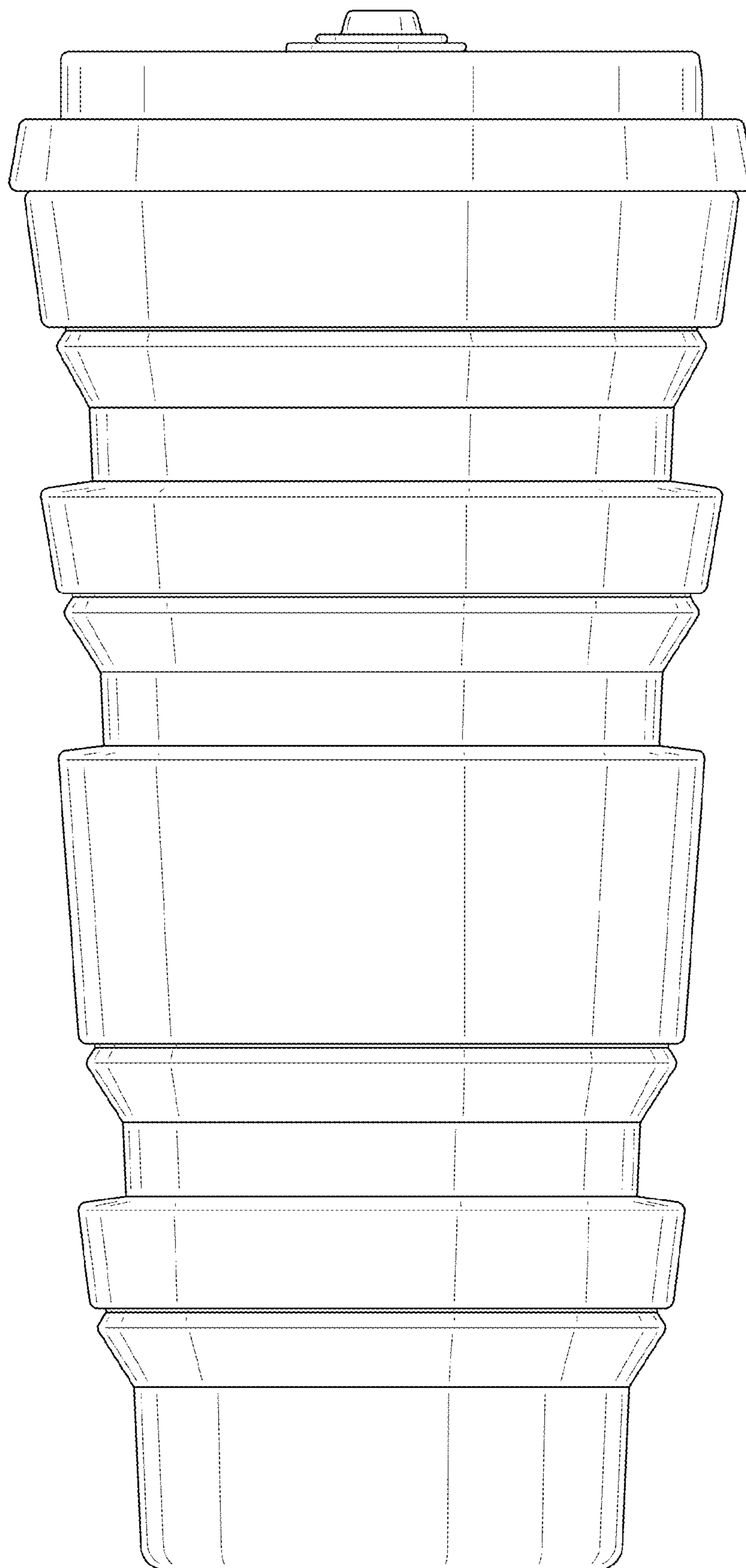


FIG. 6

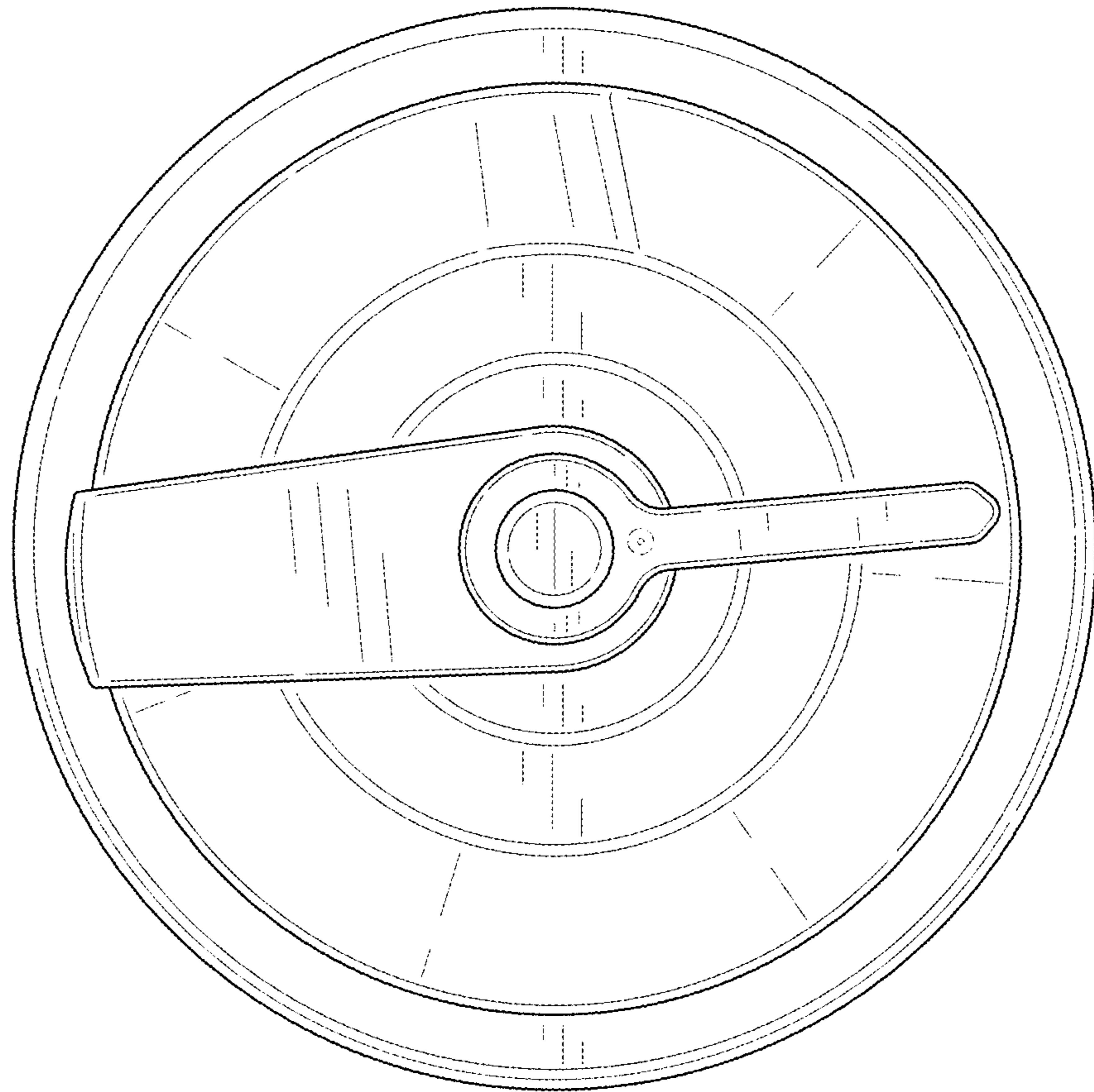


FIG. 7

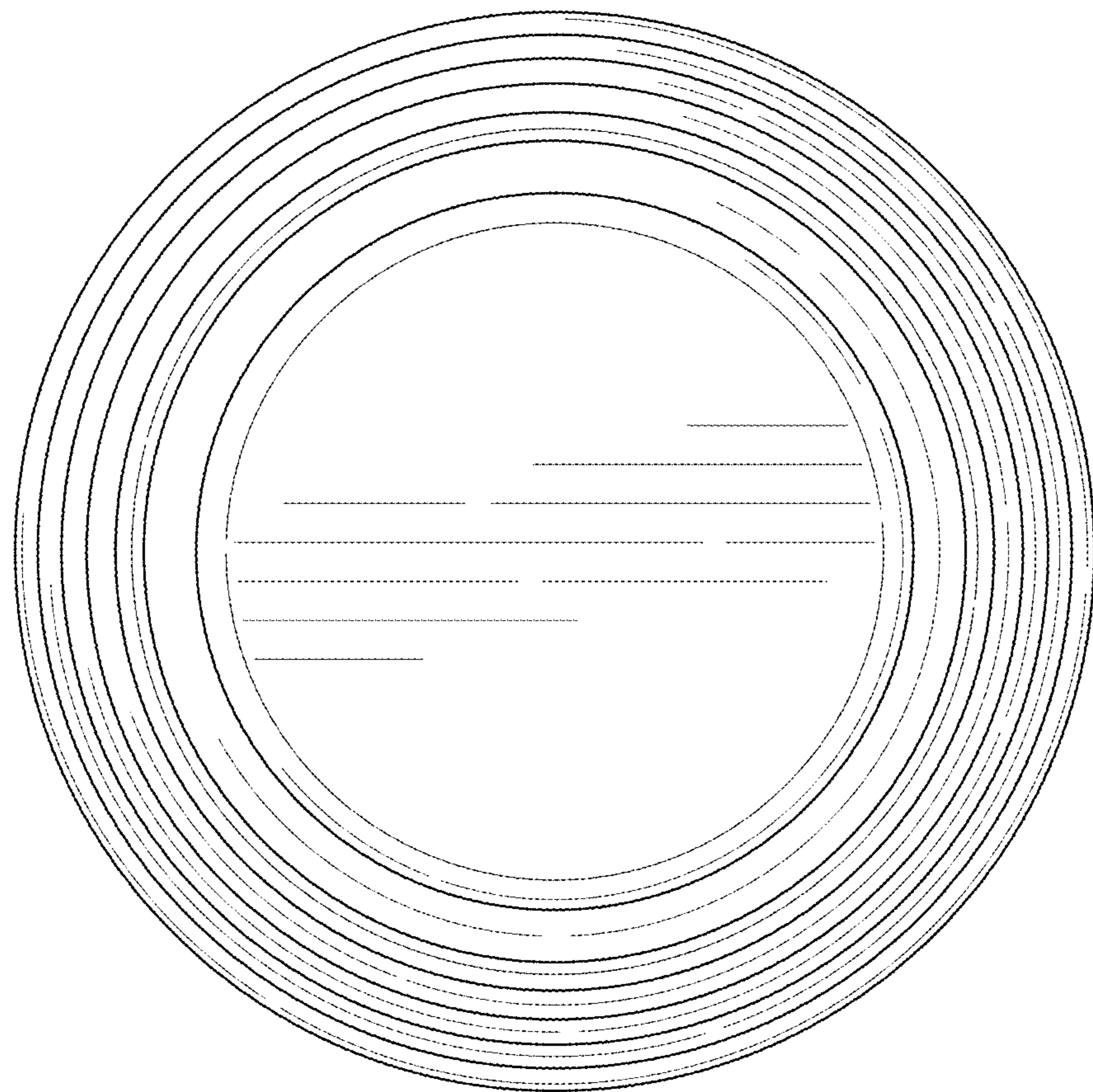


FIG. 8

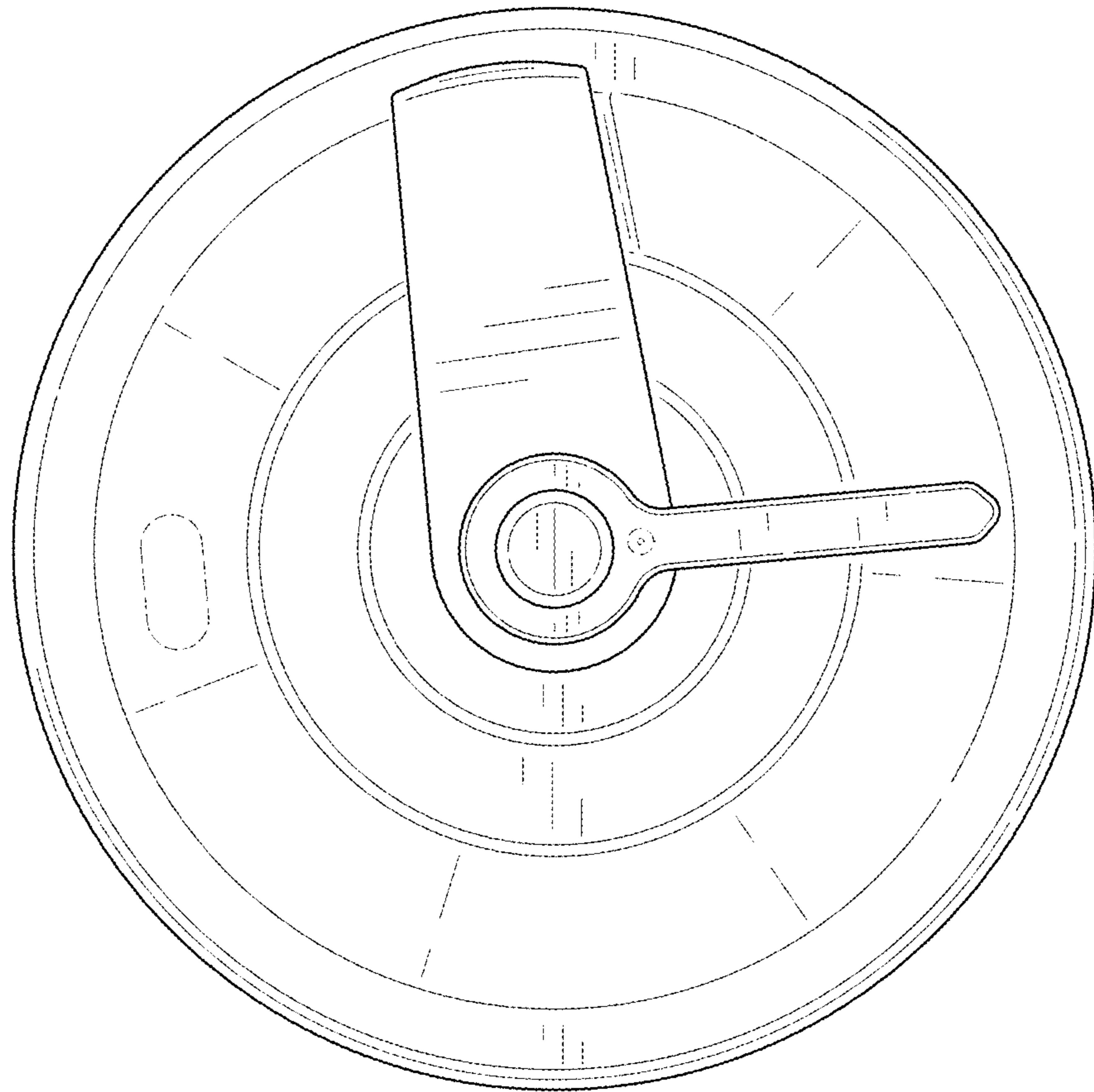


FIG. 9

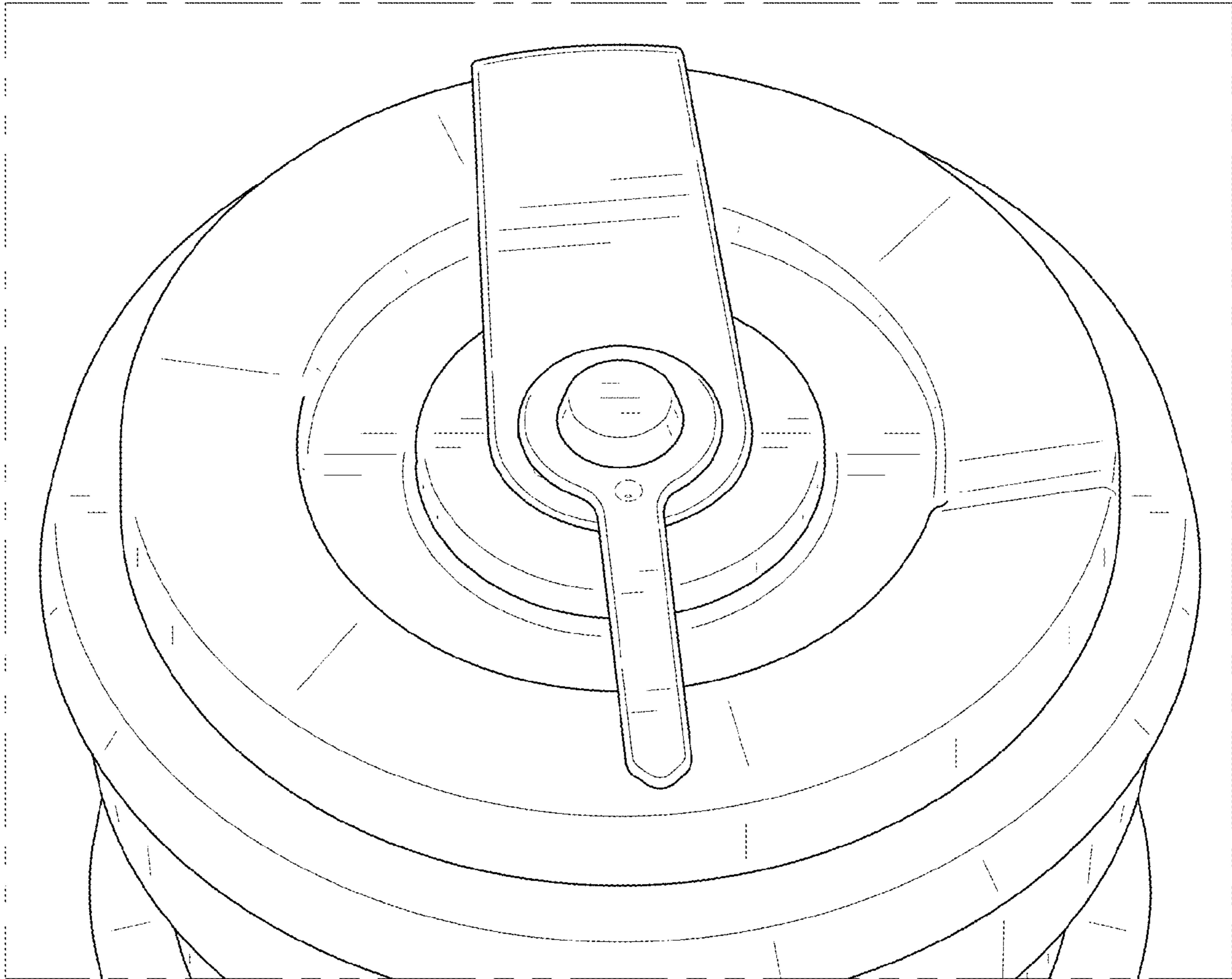


FIG. 10

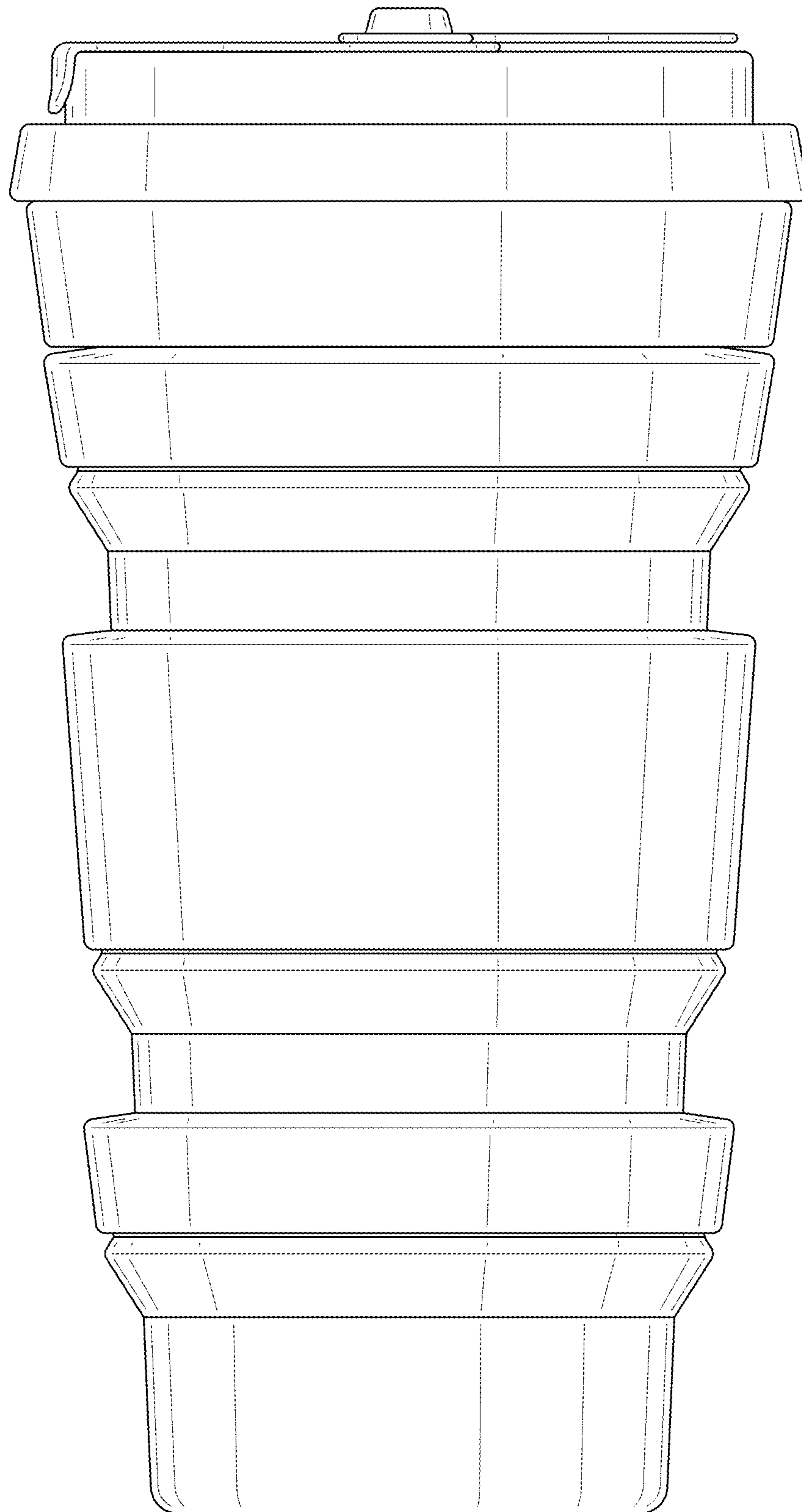


FIG. 11

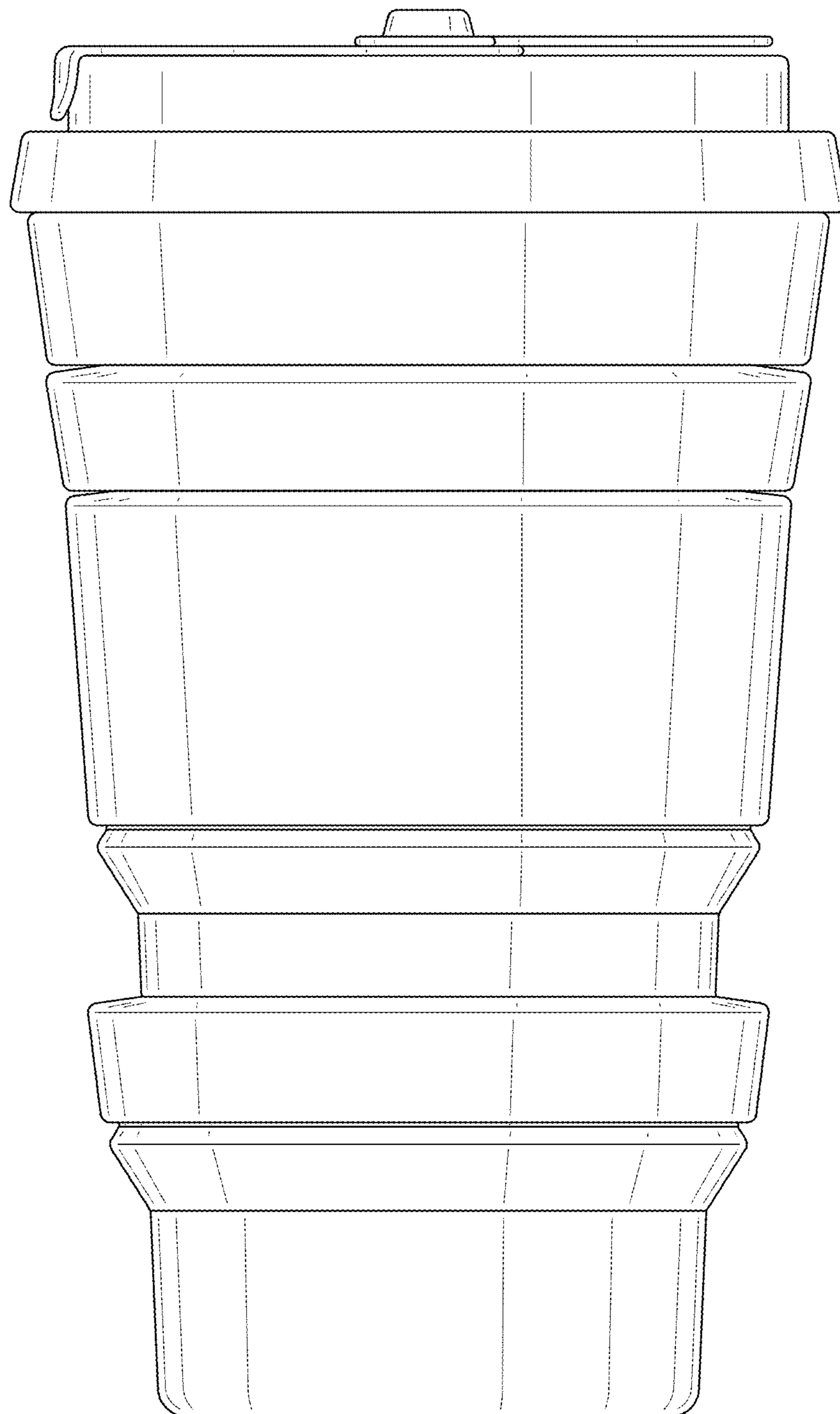


FIG. 12

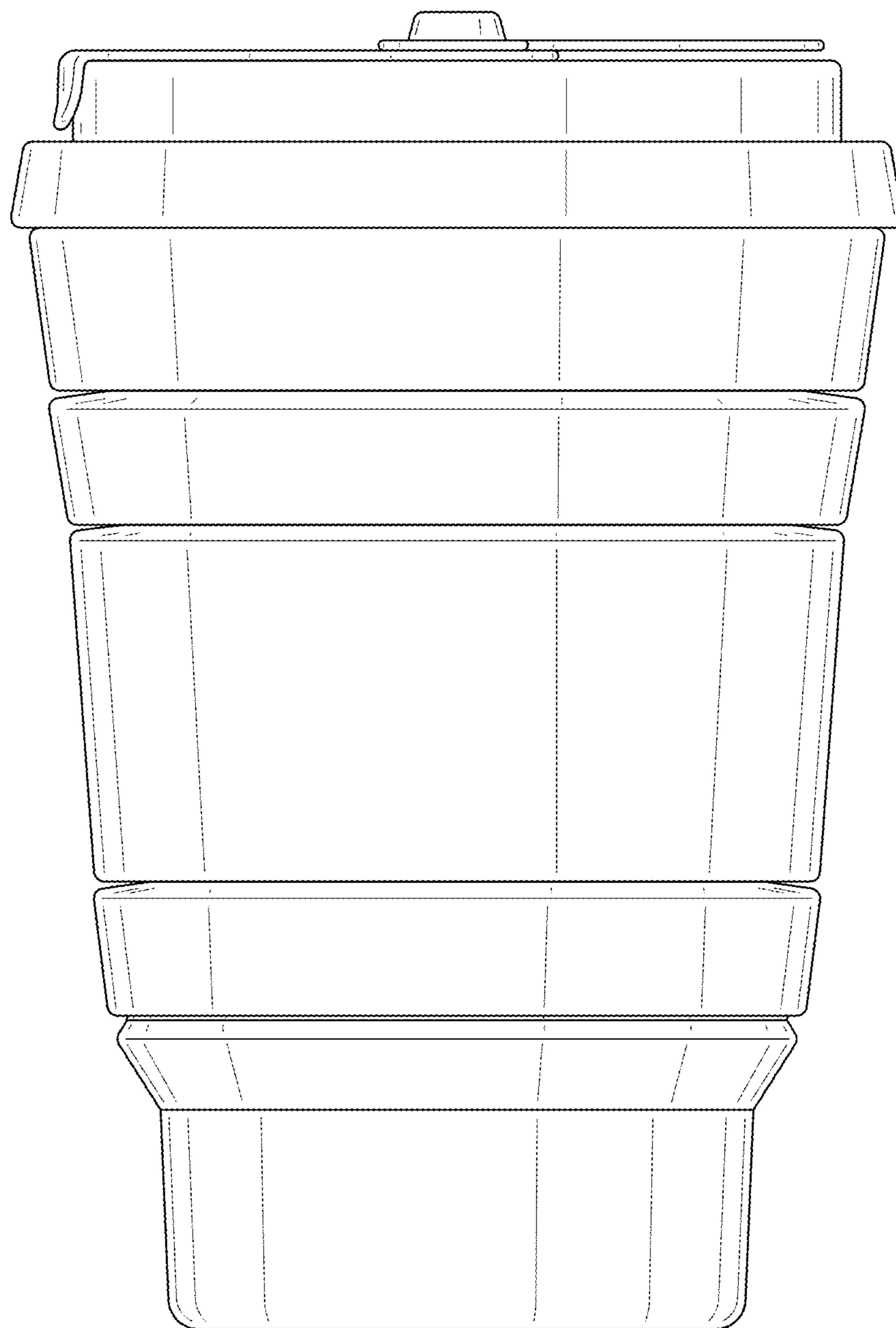


FIG. 13

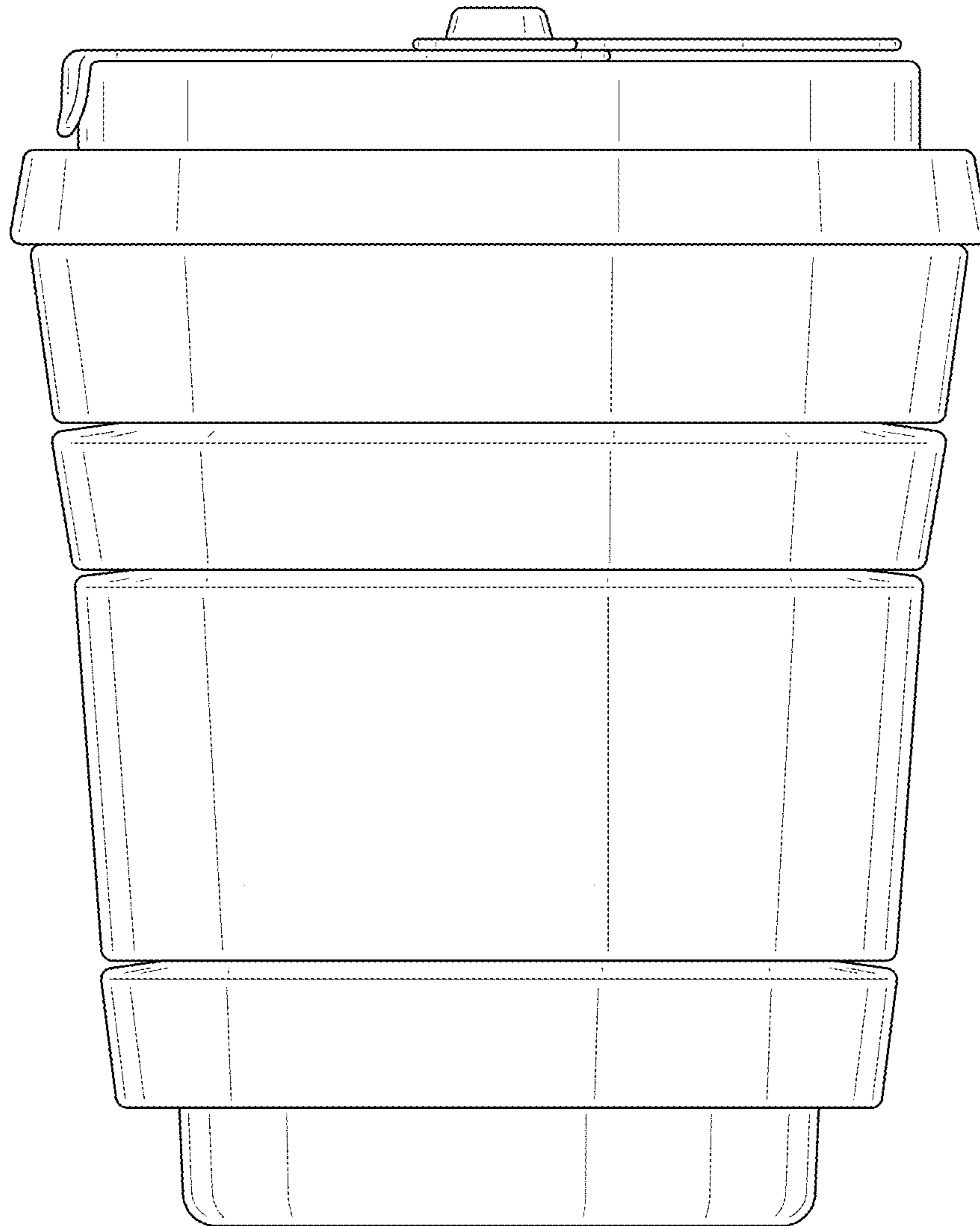


FIG. 14