



US00D931051S

(12) **United States Design Patent** (10) **Patent No.:** **US D931,051 S**  
**Ames** (45) **Date of Patent:** **\*\* Sep. 21, 2021**

(54) **FLIP LID TUMBLER**  
(71) Applicant: **Real Value LLC**, Norman, OK (US)  
(72) Inventor: **Micah Ames**, Oklahoma City, OK (US)  
(73) Assignee: **Real Value LLC**, Moore, OK (US)  
(\*\*) Term: **15 Years**  
(21) Appl. No.: **29/690,023**  
(22) Filed: **May 3, 2019**  
(51) **LOC (13) Cl.** ..... **07-01**  
(52) **U.S. Cl.**  
USPC ..... **D7/510; D7/511**  
(58) **Field of Classification Search**  
USPC ..... D7/507, 509, 510, 511, 529, 531, 532,  
D7/523, 533, 534, 535, 536, 392.1, 296.1,  
D7/396.2, 300.1, 608; D3/202; D26/9  
CPC ..... A47G 19/22; A47G 19/2288; A47G  
19/2205; A47J 41/0077; A47J 41/0088  
See application file for complete search history.

(56) **References Cited**  
U.S. PATENT DOCUMENTS  
4,494,668 A \* 1/1985 Lottick ..... A47G 19/2266  
215/229  
D485,759 S \* 1/2004 Janky ..... D7/392.1  
D604,103 S \* 11/2009 Alviar ..... D7/510  
D608,140 S \* 1/2010 Gilbert ..... D7/396.2  
D620,357 S 7/2010 Jewett et al.  
D623,017 S \* 9/2010 George ..... D7/510  
D632,132 S \* 2/2011 George ..... D7/510  
D643,245 S \* 8/2011 Minarsch ..... D7/392.1  
D648,177 S 11/2011 Eyal  
D667,265 S \* 9/2012 George ..... D7/396.2  
D672,238 S 12/2012 Aziz et al.  
D672,609 S 12/2012 Aziz et al.  
D700,012 S 2/2014 Hurley et al.  
D717,115 S \* 11/2014 Lane ..... D7/511  
D721,540 S \* 1/2015 Grcic ..... D7/511  
D723,333 S 3/2015 Lin

D724,385 S 3/2015 Hurley et al.  
D725,965 S \* 4/2015 Bo ..... D7/510  
D787,935 S 5/2017 Kaiser  
D790,920 S 7/2017 Goodwin et al.  
D791,579 S 7/2017 Goodwin et al.  
D803,684 S \* 11/2017 Seiders ..... D9/449  
D808,220 S 1/2018 Burns et al.  
D809,920 S 2/2018 Maple  
D810,504 S 2/2018 Goodwin et al.  
D811,818 S 3/2018 Wu  
D812,428 S 3/2018 Wu  
D814,240 S \* 4/2018 Kabalin ..... D7/510  
D815,908 S 4/2018 Kauss et al.  
D822,439 S 7/2018 Spivey et al.  
(Continued)

OTHER PUBLICATIONS

[https://www.amazon.com/Simple-Modern-Flip-Lid-Internally/dp/B07BMG7VCX/ref=sr\\_1\\_2?dchild=1&keywords=flip%2Blid%2Btumbler&qid=1598293273&sr=8-2&th=1](https://www.amazon.com/Simple-Modern-Flip-Lid-Internally/dp/B07BMG7VCX/ref=sr_1_2?dchild=1&keywords=flip%2Blid%2Btumbler&qid=1598293273&sr=8-2&th=1) (Year: 2018).\*

Primary Examiner — Jae Liang  
(74) Attorney, Agent, or Firm — Hall Estill Law Firm

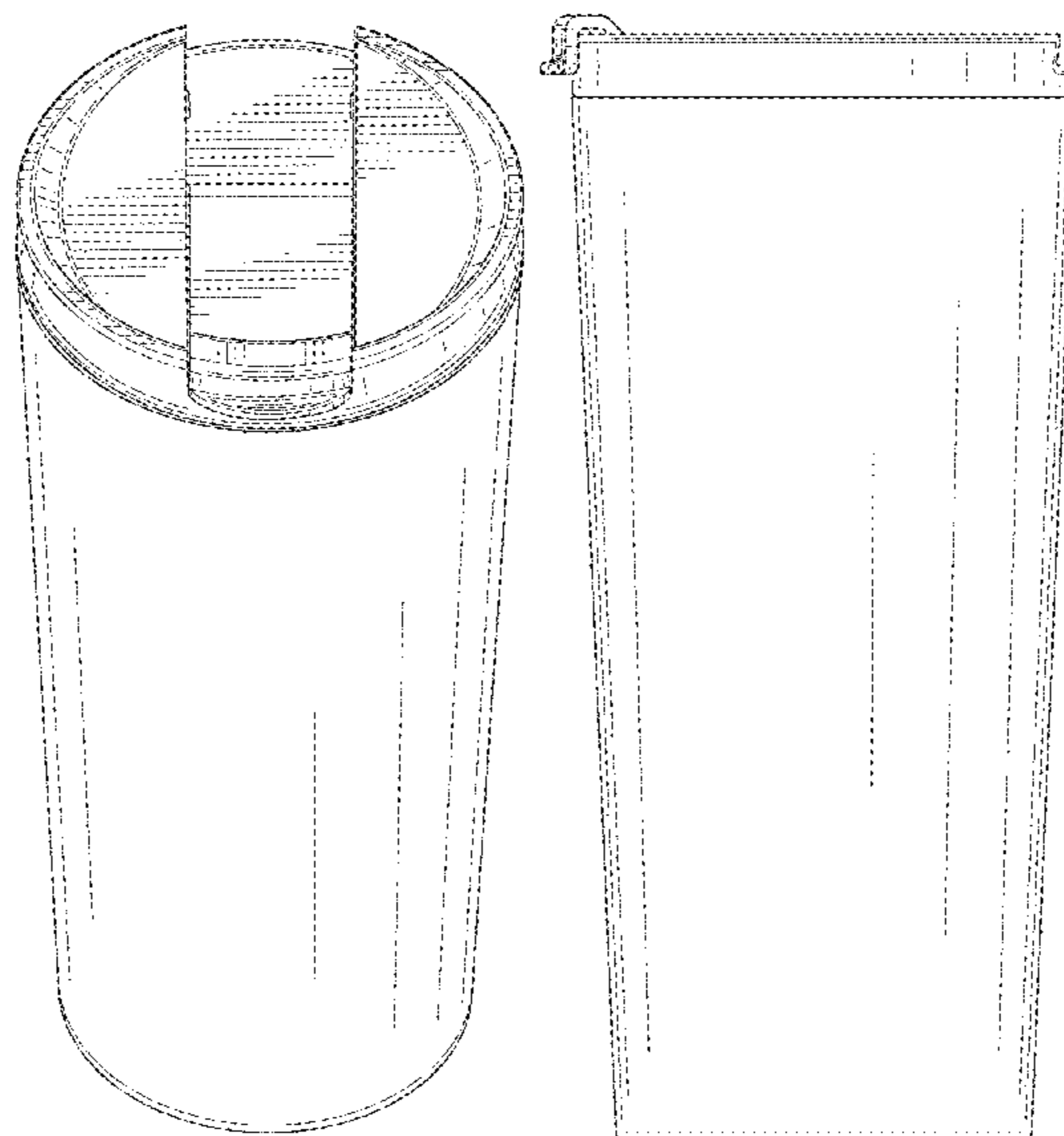
(57) **CLAIM**

The ornamental design for a flip lid tumbler, as shown and described.

**DESCRIPTION**

FIG. 1 is a top, perspective view of my new design of a first embodiment of a flip lid tumbler.  
FIG. 2 is a bottom, perspective view of FIG. 1.  
FIG. 3 is a front side elevation view of FIG. 1.  
FIG. 4 is a rear side elevation view of view of FIG. 1.  
FIG. 5 is a right side elevation view of FIG. 1.  
FIG. 6 is left side elevation view of FIG. 1.  
FIG. 7 is a top view of FIG. 1.  
FIG. 8 is a bottom view of FIG. 1; and,  
FIG. 9 is a right side view of a second embodiment of a tumbler.

**1 Claim, 8 Drawing Sheets**



(56)

**References Cited**

U.S. PATENT DOCUMENTS

D834,882	S	*	12/2018	Seiders	.....	D7/392.1
D836,395	S	*	12/2018	Seiders	.....	D7/510
D844,383	S	*	4/2019	Seiders	.....	D7/510
D861,415	S	*	10/2019	Seiders	.....	D7/392.1
D863,876	S	*	10/2019	Alprin	.....	D7/392.1
D886,514	S	*	6/2020	Kander	.....	D7/392
D891,866	S	*	8/2020	Ames	.....	D7/510
D908,431	S	*	1/2021	Jacobsen	.....	D7/511
D911,778	S	*	3/2021	Jacobsen	.....	D7/511
D914,455	S	*	3/2021	Haskins	.....	D7/510
2008/0264959	A1	*	10/2008	Unda	.....	B65D 1/265 220/711
2012/0132658	A1	*	5/2012	Dans	.....	G01K 15/005 220/592.2
2018/0194520	A1	*	7/2018	Lovern	.....	A01N 25/34

\* cited by examiner

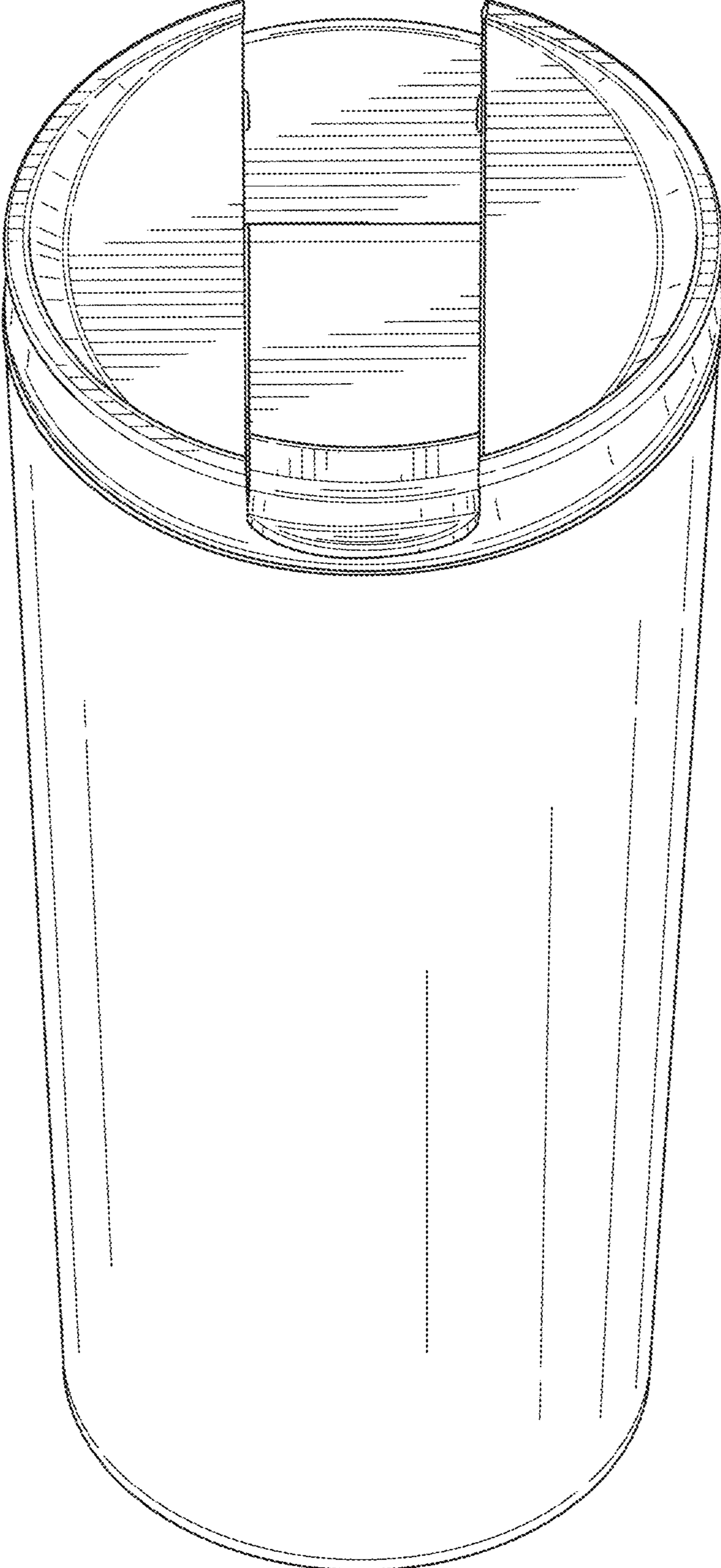


FIG. 1

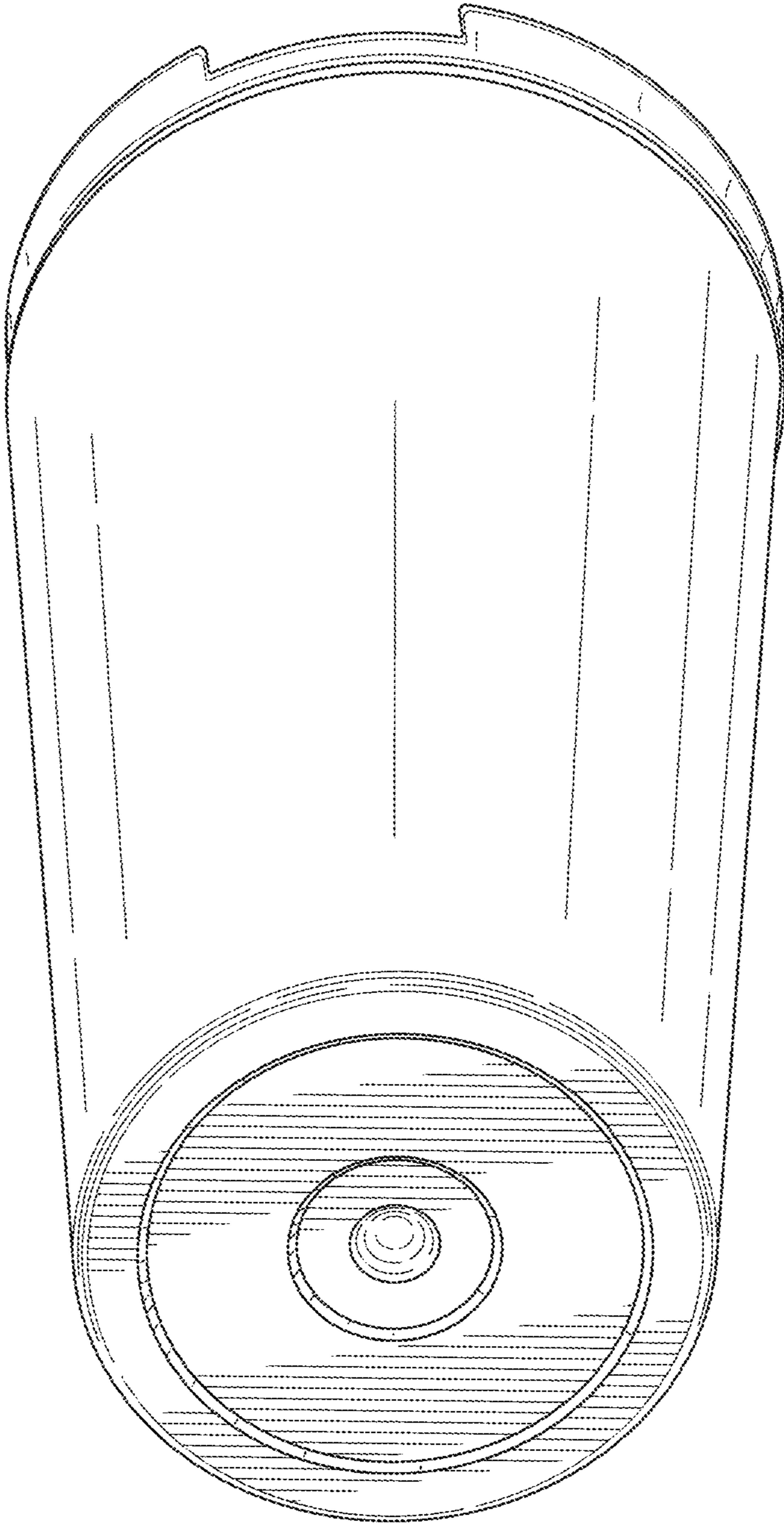


FIG. 2

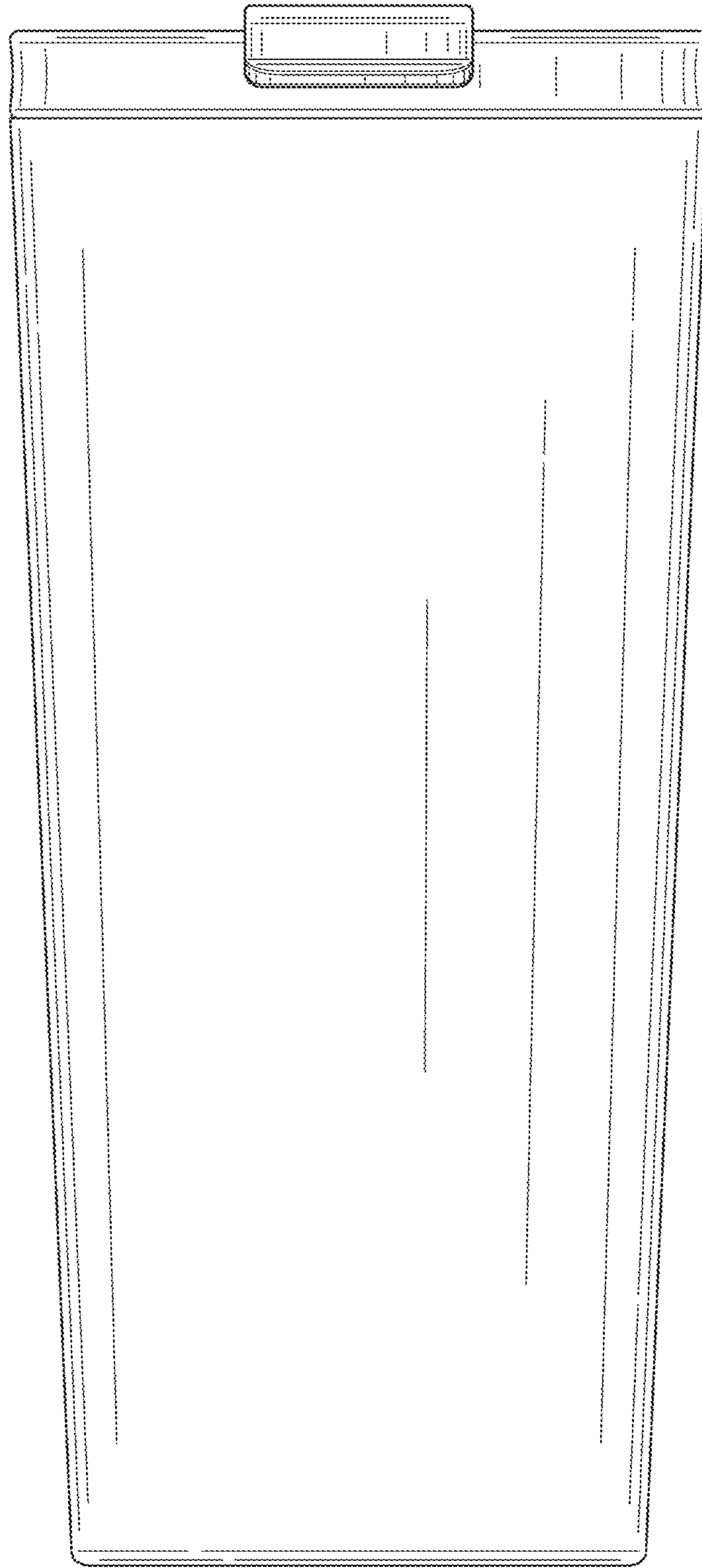


FIG. 3

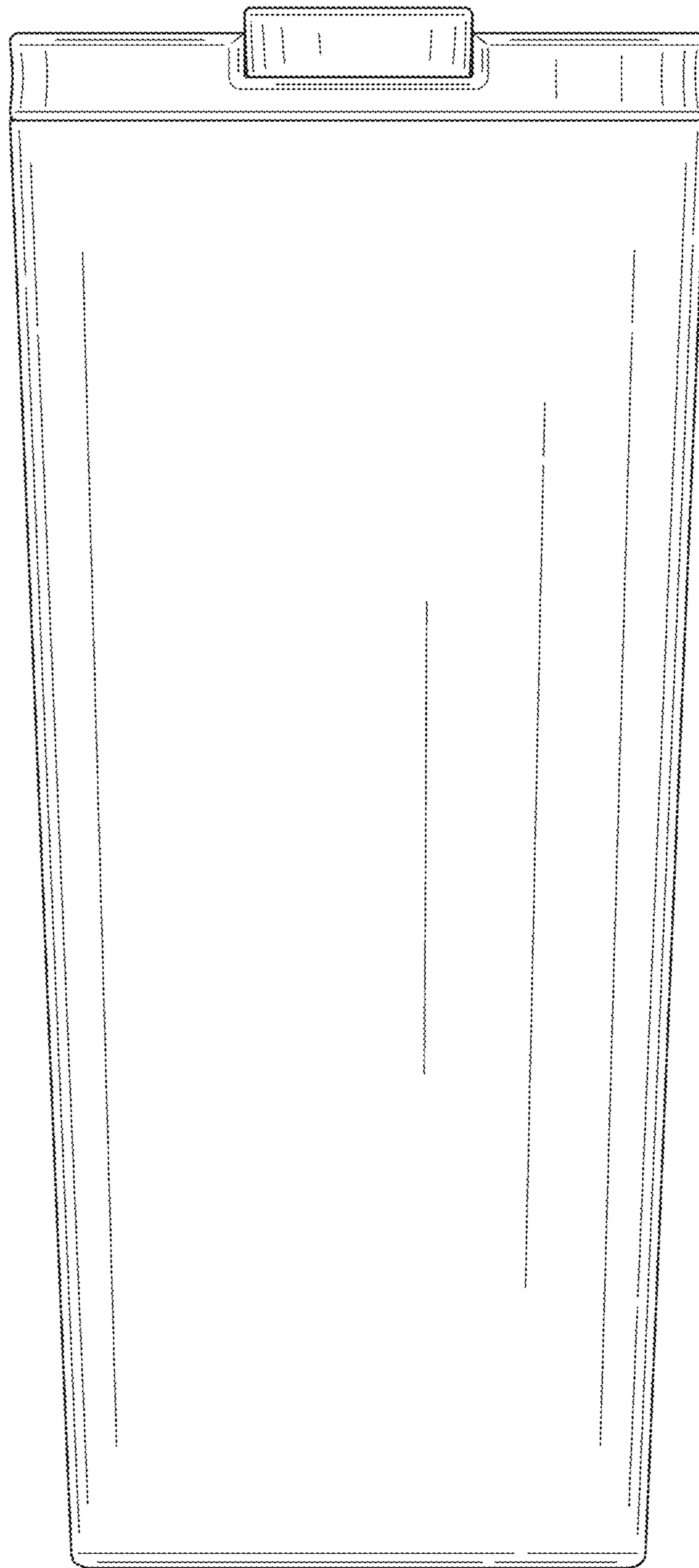


FIG. 4

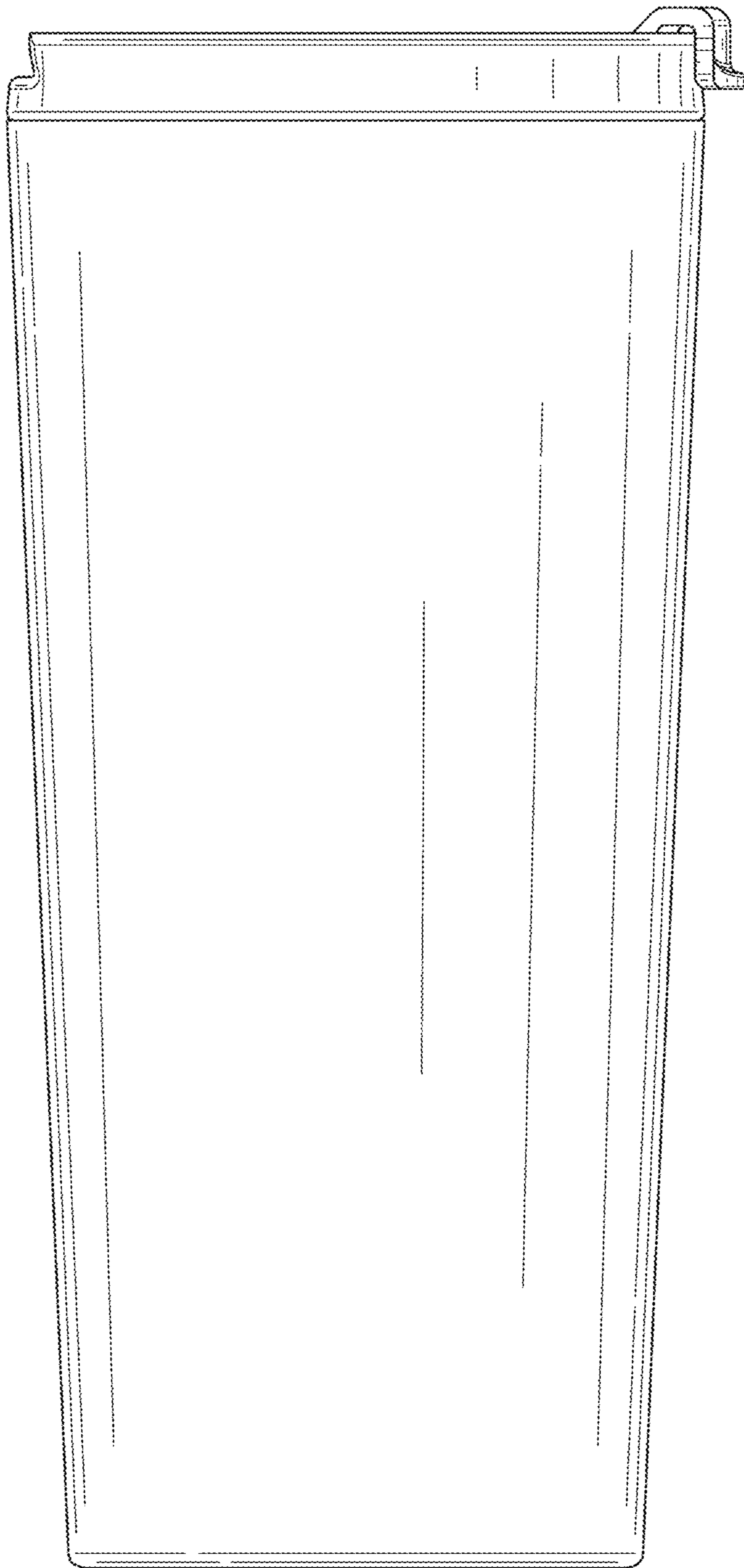


FIG. 5

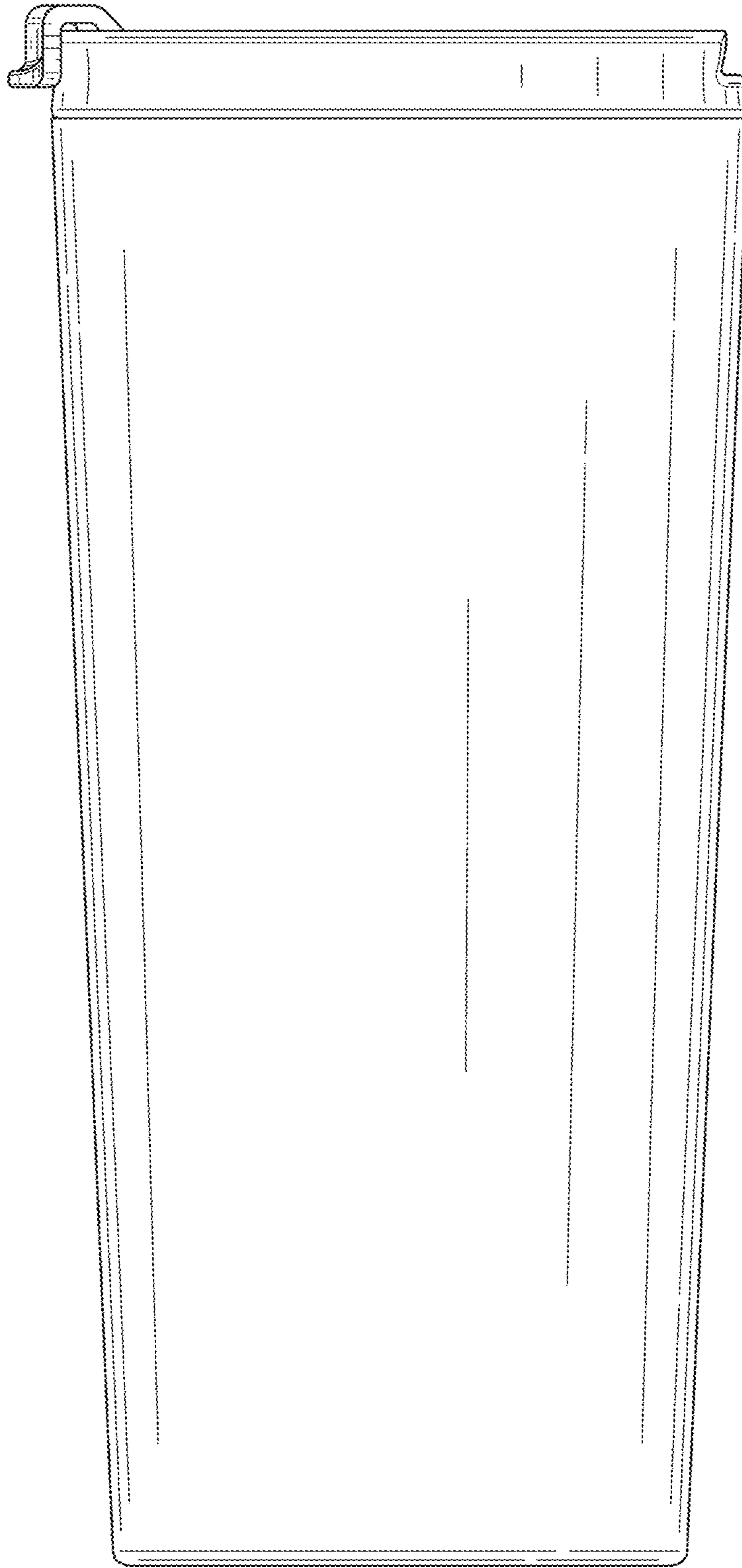


FIG. 6



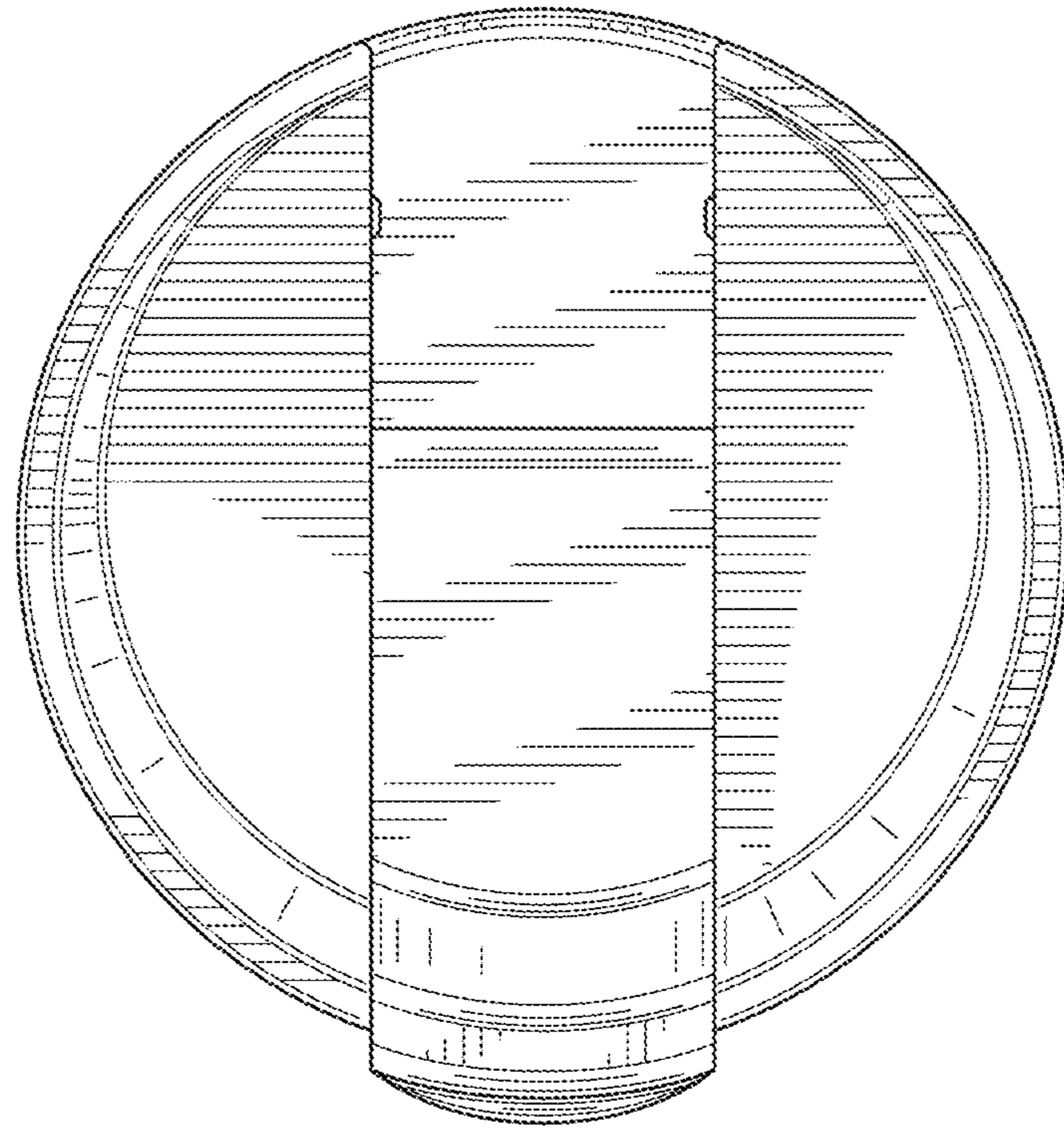


FIG. 7

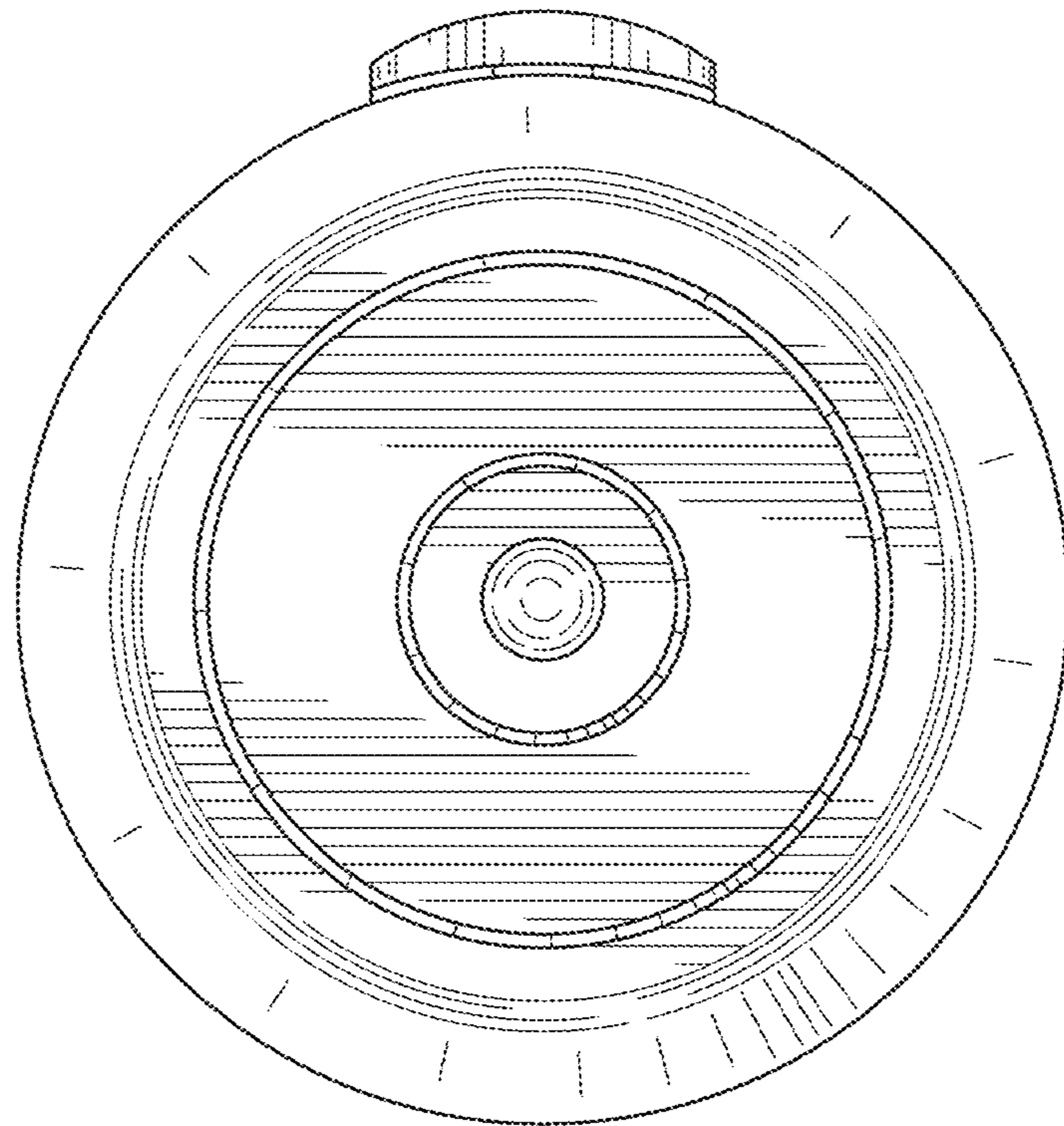


FIG. 8

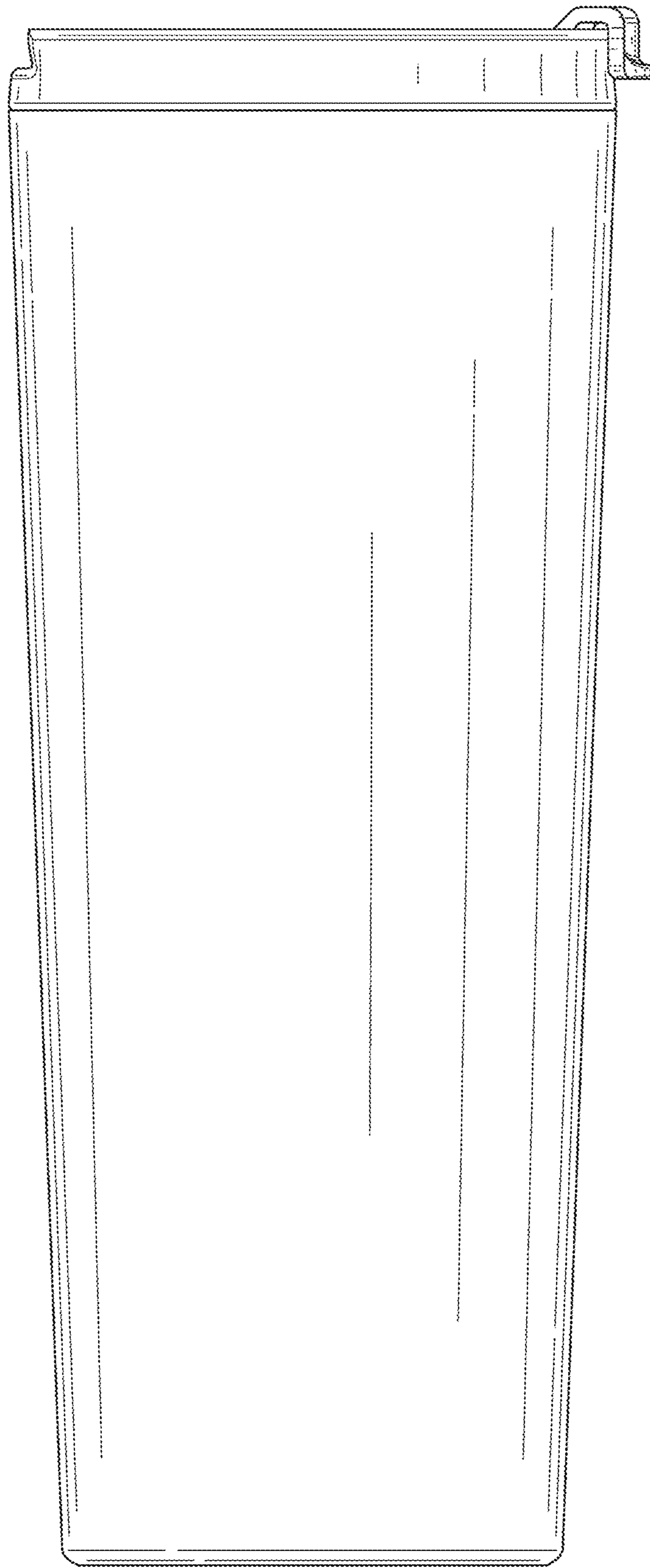


FIG. 9