



US00D931050S

(12) **United States Design Patent** (10) **Patent No.:** **US D931,050 S**
Wiesenthal et al. (45) **Date of Patent:** **** Sep. 21, 2021**

(54) **CASE**

B28C 5/10; B28C 5/12; B28C 5/14;
B28C 5/16; A47K 5/1212; B65D 1/265;
F21S 9/02

(71) Applicant: **Surface Care, Inc.**, New York, NY
(US)

See application file for complete search history.

(72) Inventors: **Melanie Wiesenthal**, Brooklyn, NY
(US); **Yael Eisele**, Brooklyn, NY (US);
Sina Sohrab, Brooklyn, NY (US);
Joseph Guerra, Brooklyn, NY (US);
Jesse Pliner, Brooklyn, NY (US); **Greg**
Laptevisky, Brooklyn, NY (US); **Steve**
Remy, Chicago, IL (US); **Benjamin**
Harris Oppenheimer, New York, NY
(US)

(56)

References Cited

U.S. PATENT DOCUMENTS

933,444 A *	9/1909	Henke	B65D 1/265 220/506
5,437,513 A	8/1995	Favre	
5,529,416 A	6/1996	Favre	
5,720,416 A *	2/1998	Izoe	A47K 5/1212 222/138
8,388,249 B2	3/2013	Groh et al.	
D701,077 S *	3/2014	Whitner	D7/377
D731,242 S *	6/2015	Machovina	D7/412
D731,243 S *	6/2015	Machovina	D7/412
9,134,020 B1 *	9/2015	Wells	F21S 9/02

(Continued)

(73) Assignee: **Surface Care, Inc.**, New York, NY
(US)

(**) Term: **15 Years**

OTHER PUBLICATIONS

Derek Lakin, Helmm Deodorant Reviews, <https://www.highya.com/helmm-deodorant-reviews>, Jul. 27, 2018, 6 pgs.

(21) Appl. No.: **29/691,031**

(22) Filed: **May 13, 2019**

Primary Examiner — Ricky Pham

(51) **LOC (13) Cl.** **31-00**

(52) **U.S. Cl.**
USPC **D7/413; D7/376; D7/378; D7/412**

(74) *Attorney, Agent, or Firm* — Brad M. Behar & Associates, PLLC

(58) **Field of Classification Search**
USPC D7/372, 376–386, 394, 396.2, 412–413,
D7/589, 602, 629, 665–666, 669, 679,
D7/693–694

(57)

CLAIM

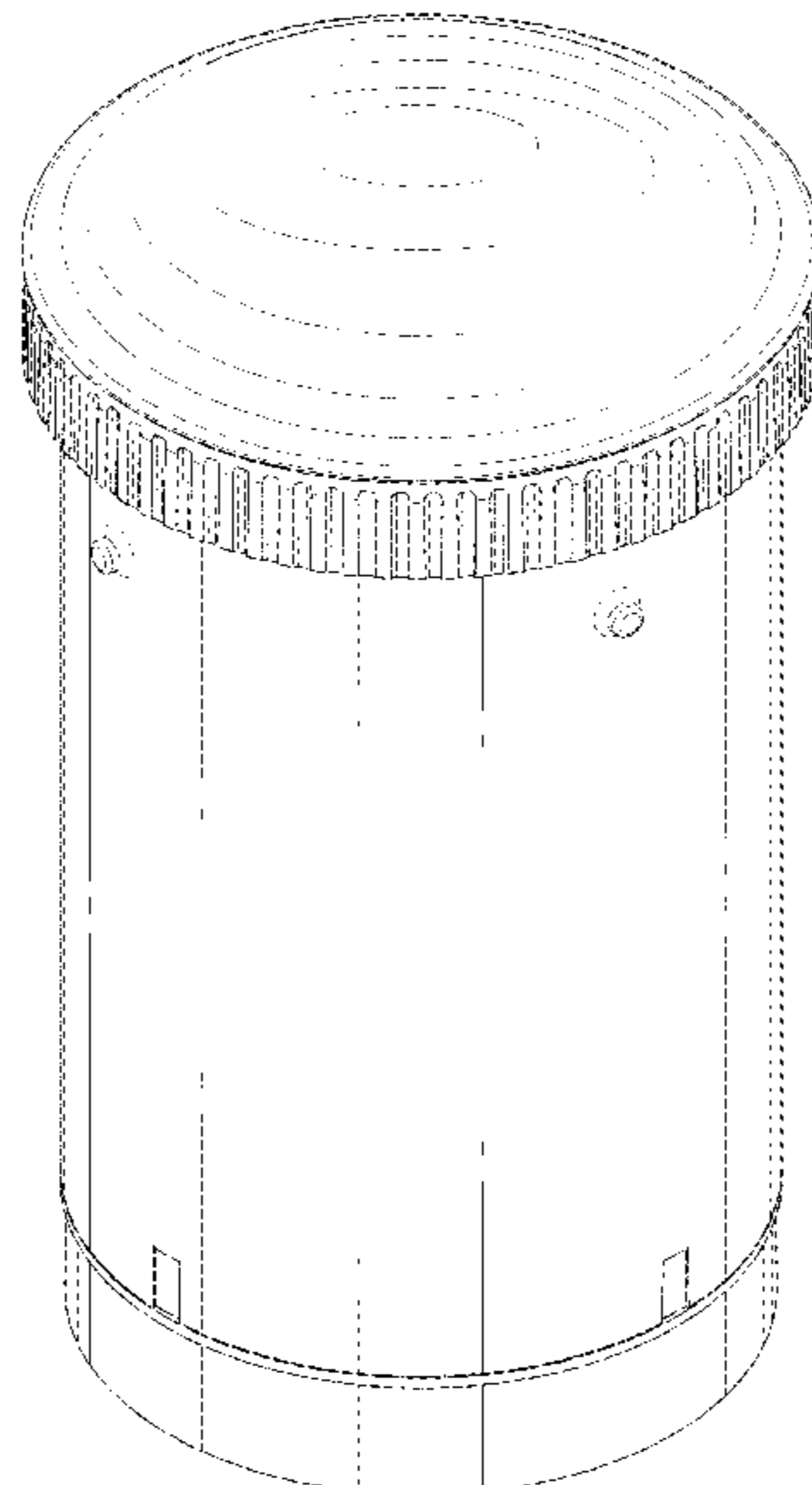
The ornamental design for a case, as shown and described.

CPC A21C 1/02; A21C 1/04; A23N 1/00; A23N
1/02; A47J 43/04; A47J 43/25; A47J
43/27; A47J 43/042; A47J 43/044; A47J
43/046; A47J 43/06; A47J 43/075; A47J
43/0716; A47J 43/0722; A47J 43/0727;
A47J 43/0705; A47J 43/082; B01F 3/00;
B01F 3/0807; B01F 3/0853; B01F
13/0059; B01F 13/0064; B02C 1/08;
B02C 2/04; B02C 4/42; B02C 4/142;
B02C 4/143; B02C 4/423; B02C 13/1835;

DESCRIPTION

FIG. 1 is a front perspective view of an embodiment of a case showing the new design;
FIG. 2 is a front view thereof; the back view being the same;
FIG. 3 is a right side view thereof; the left side view being the same;
FIG. 4 is a top view thereof;
FIG. 5 is a bottom view thereof; and,
FIG. 6 is a bottom perspective view thereof.

1 Claim, 6 Drawing Sheets



(56)

References Cited

U.S. PATENT DOCUMENTS

D776,978 S * 1/2017 Machovina D7/412
D793,803 S * 8/2017 Patel D7/386
9,801,498 B2 * 10/2017 Fach A47J 43/0716
D887,769 S * 6/2020 Lyons D7/376
D908,428 S * 1/2021 Pamplin D7/413
D913,043 S * 3/2021 Miley D7/589
D916,561 S * 4/2021 Nazarov D7/396.2
2018/0295968 A1 10/2018 Groffsky et al.

* cited by examiner

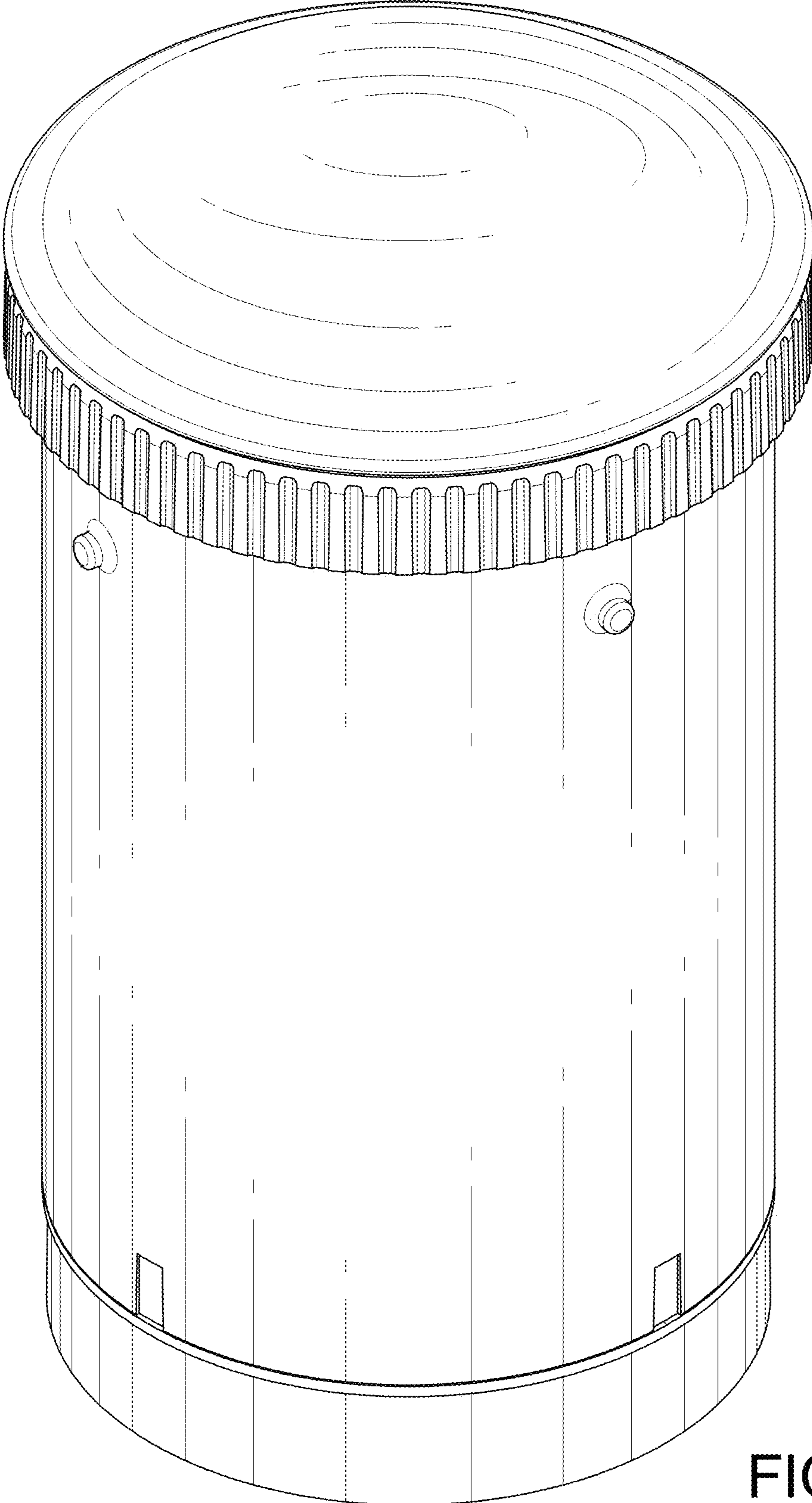


FIG. 1

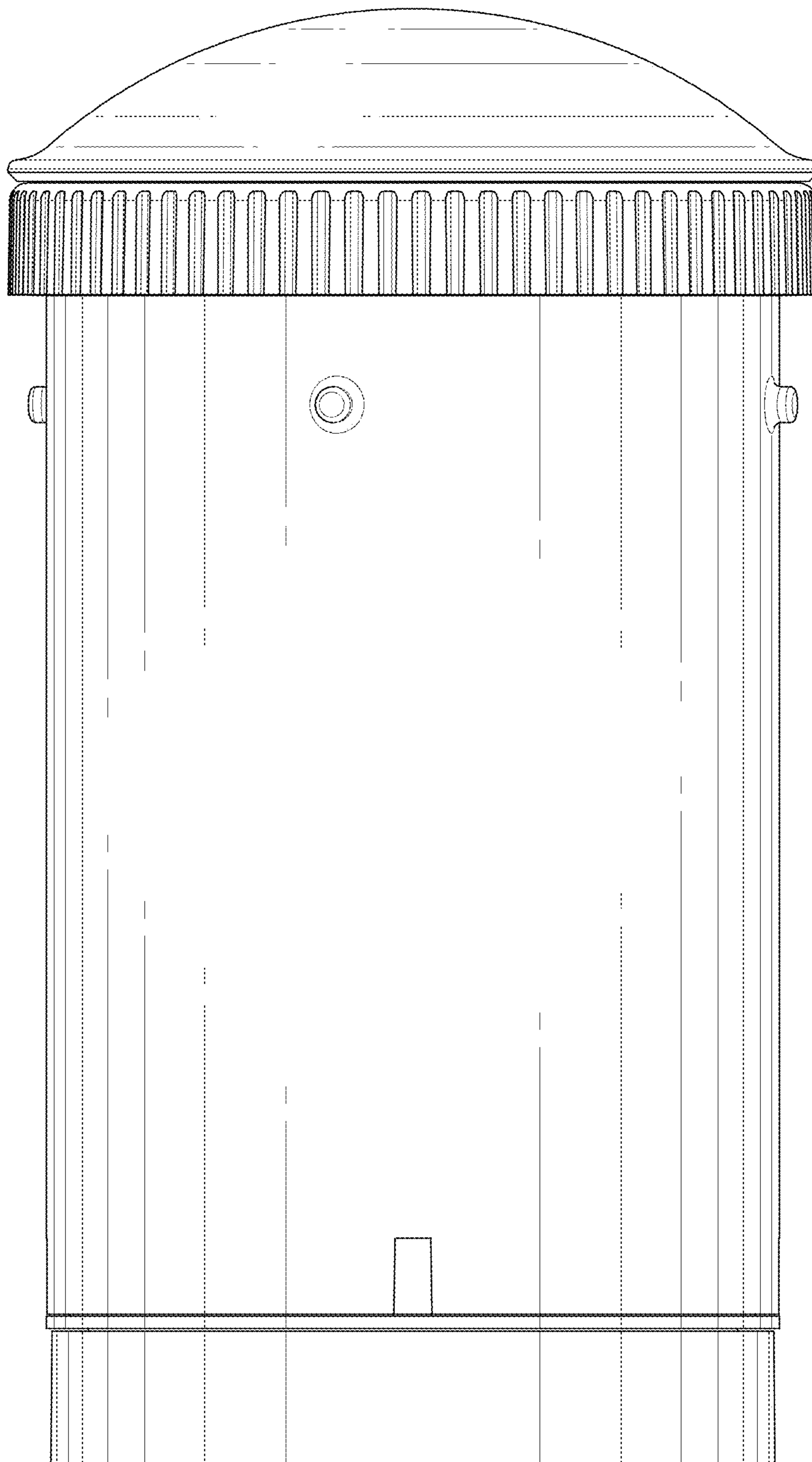


FIG. 2

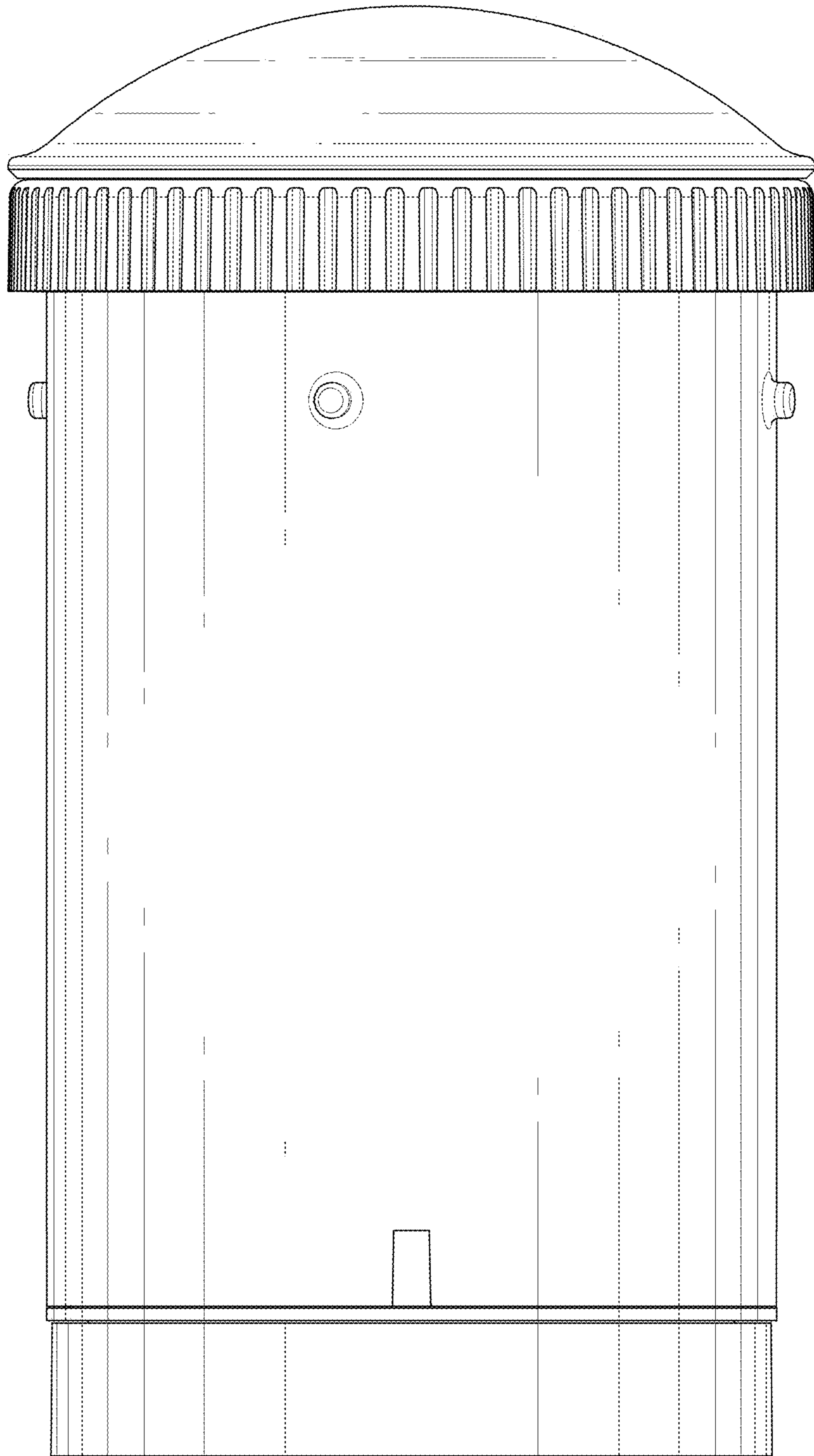


FIG. 3

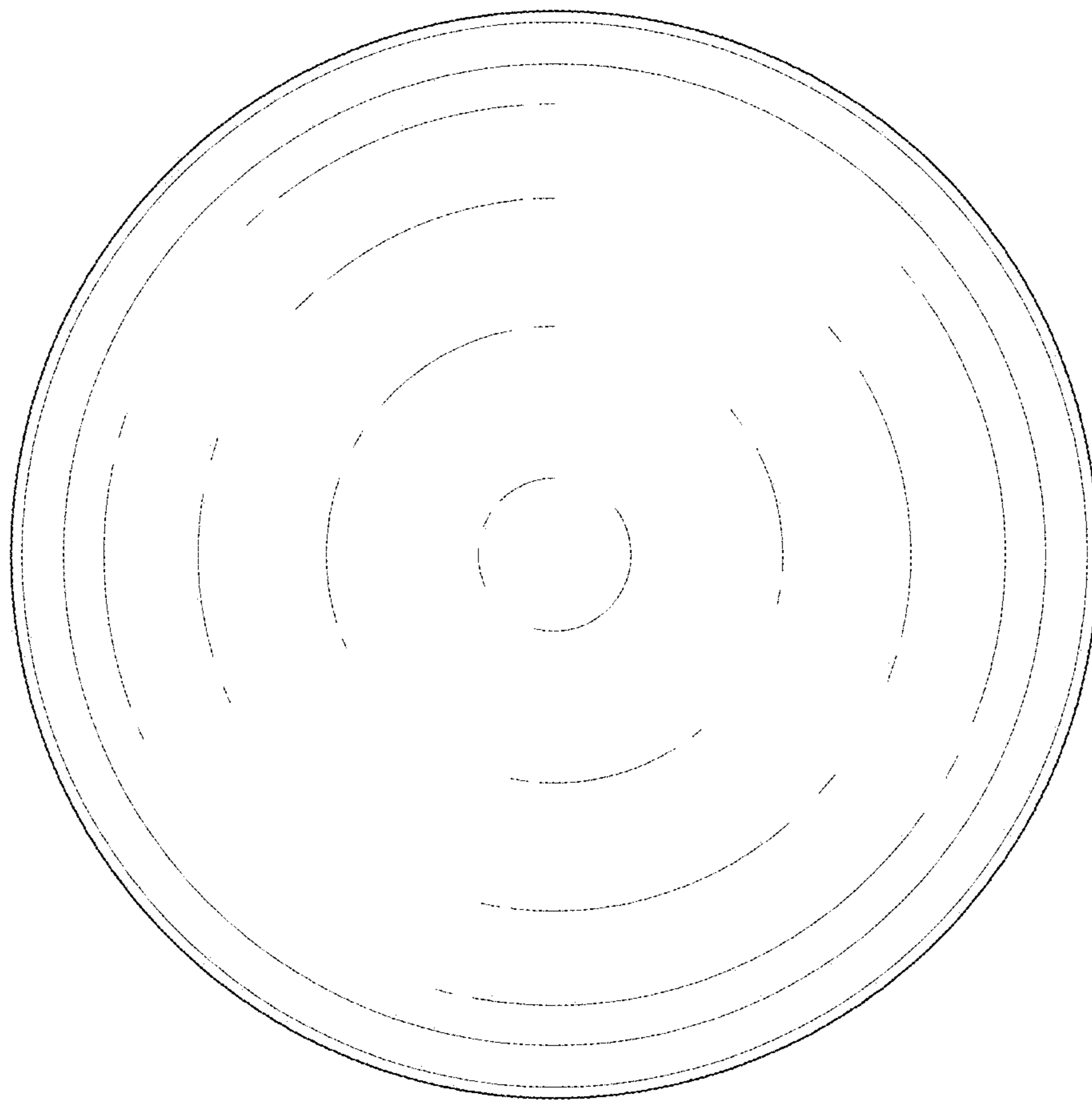


FIG. 4

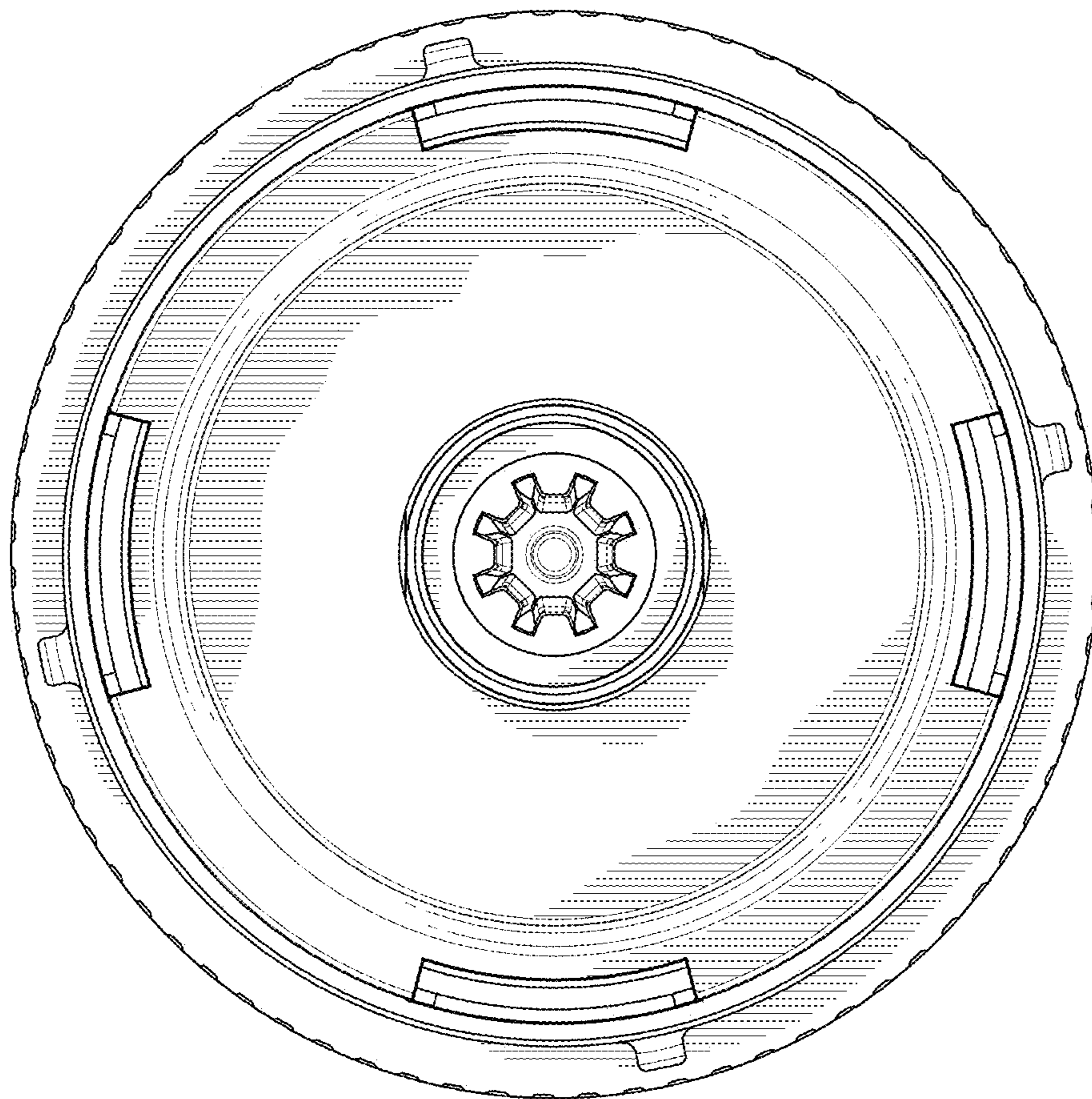


FIG. 5

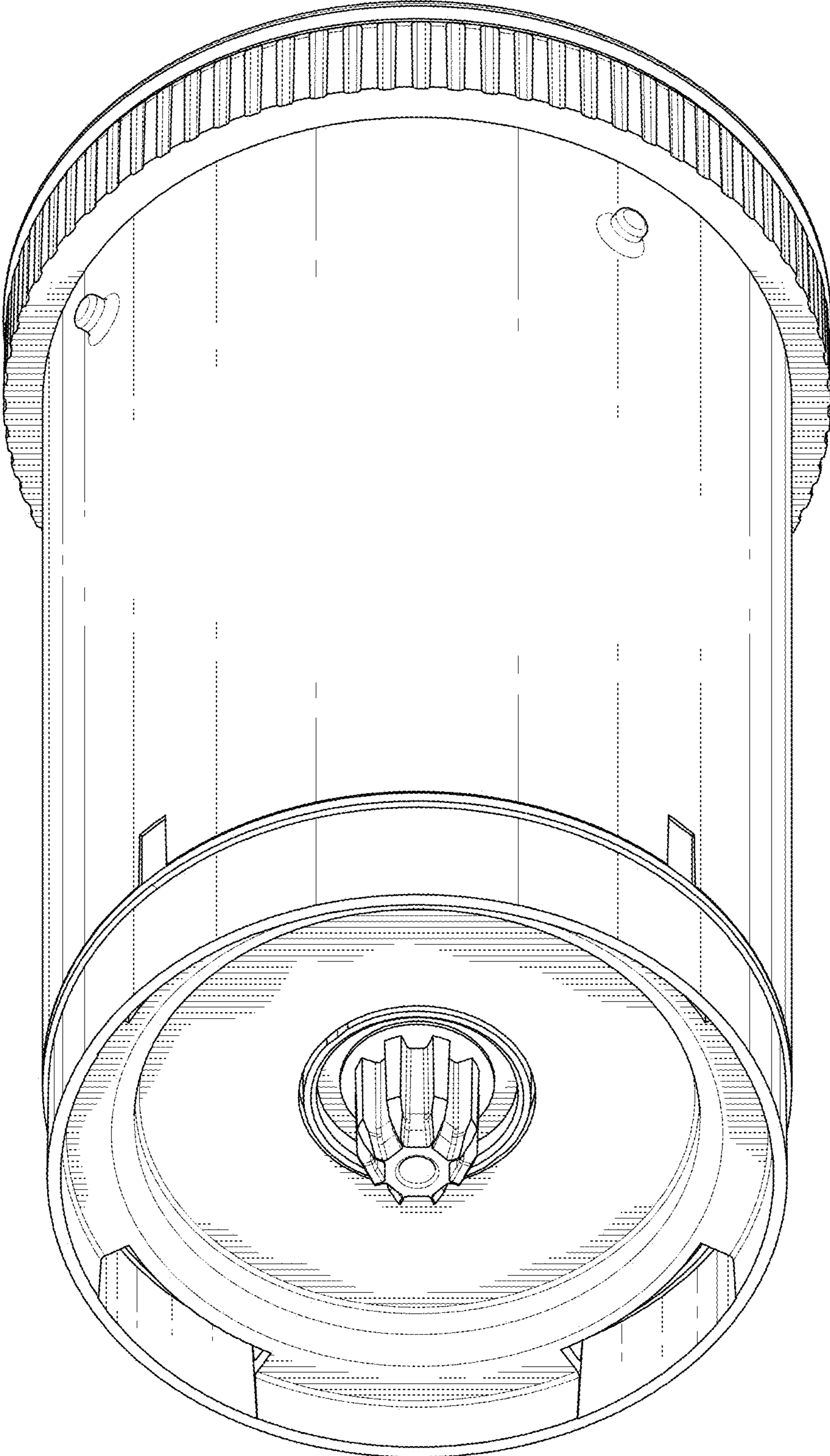


FIG. 6