



US00D931049S

(12) **United States Design Patent** (10) **Patent No.:** **US D931,049 S**
Bertness et al. (45) **Date of Patent:** **** Sep. 21, 2021**

- (54) **RACK FOR FOOD PANS**
- (71) Applicant: **Prince Castle LLC**, Carol Stream, IL (US)
- (72) Inventors: **Elizabeth Bertness**, Batavia, IL (US);
Marcus Frio, St Charles, IL (US);
Brian Conti, Chicago, IL (US)
- (73) Assignee: **Marmon Foodservice Technologies, Inc.**, Osseo, MN (US)
- (**) Term: **15 Years**
- (21) Appl. No.: **29/705,661**
- (22) Filed: **Sep. 13, 2019**
- (51) **LOC (13) Cl.** **07-02**
- (52) **U.S. Cl.**
USPC **D7/409**
- (58) **Field of Classification Search**
USPC D7/701-708, 409; D6/552, 567, 566,
D6/675.5, 678.4, 680.3, 676.5, 677.5,
D6/675.2
CPC . A47L 19/04; A47J 47/16; A47J 27/06; A47B
45/00; A47B 88/988; A47B 88/994; A47B
73/002; A47B 77/14; A47F 5/01
See application file for complete search history.

D629,662 S	12/2010	Thompson	
8,079,313 B2	12/2011	Sparkowski	
D682,029 S	5/2013	Vas	
D692,838 S	11/2013	Winn	
D710,633 S *	8/2014	Mudrick D6/675.5
9,307,833 B2	4/2016	Rosen	
D769,084 S *	10/2016	Tsai D7/704
D777,114 S	1/2017	Winn	
D778,642 S	2/2017	Tsai	
D787,244 S	5/2017	Lee	
D798,637 S	10/2017	Min	
D833,691 S	11/2018	Chavez et al.	
D858,007 S	8/2019	Chavez et al.	
10,561,297 B2	2/2020	Maslana	
2005/0258118 A1 *	11/2005	Lee A47B 73/002 211/134

(Continued)

Primary Examiner — Terry A Wallace
(74) *Attorney, Agent, or Firm* — Andrus Intellectual Property Law, LLP

(57) **CLAIM**

The ornamental design for a rack for food pans, as shown and described.

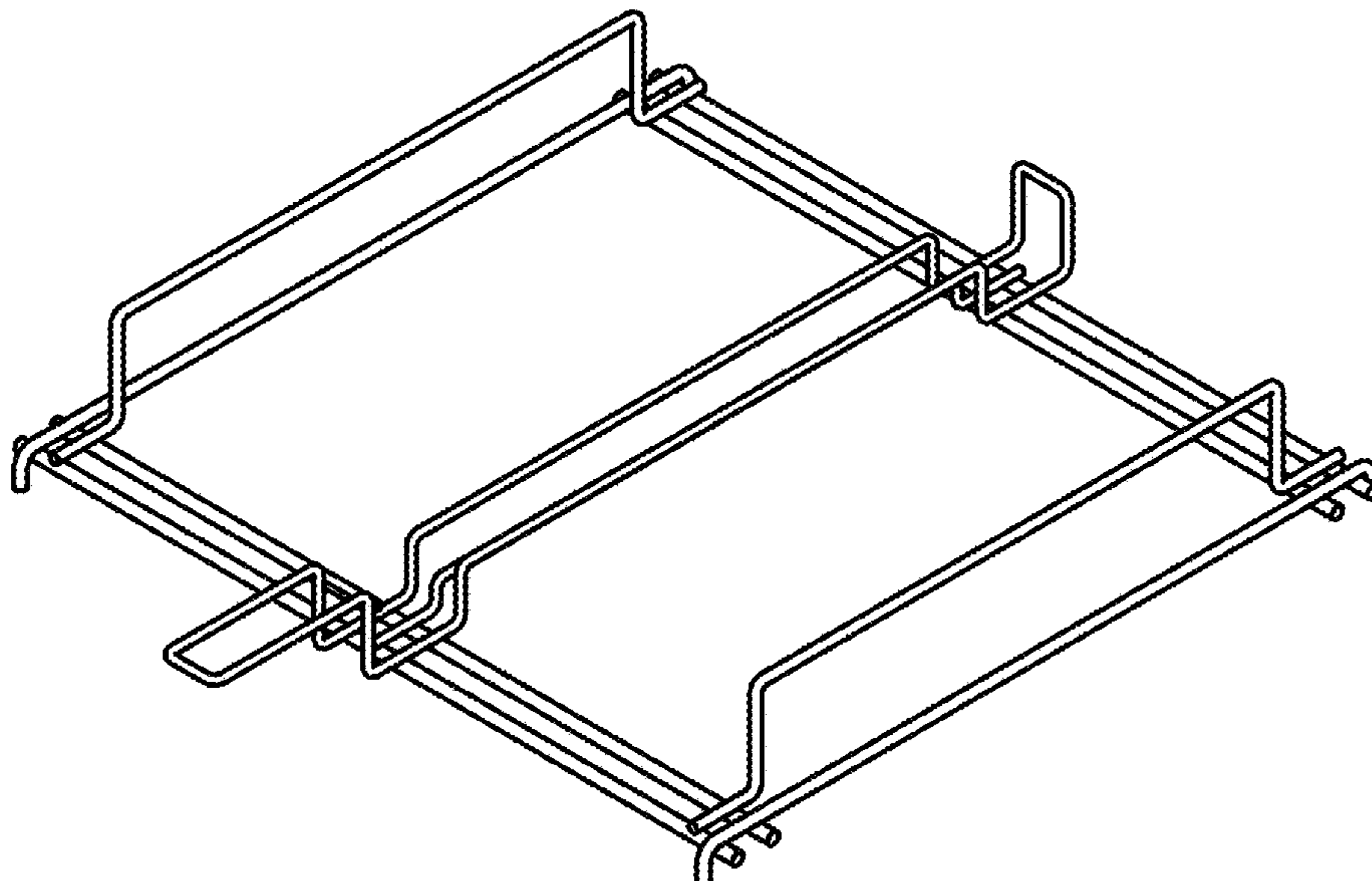
DESCRIPTION

FIG. 1 is a perspective view of a rack for food pans;
FIG. 2 is a front view thereof;
FIG. 3 is a back view thereof;
FIG. 4 is a right side view thereof;
FIG. 5 is a left side view thereof;
FIG. 6 is a top view thereof; and
FIG. 7 is a bottom view thereof.
FIG. 8 is a perspective view of a rack for food pans;
FIG. 9 is a front view thereof;
FIG. 10 is a back view thereof;
FIG. 11 is a right side view thereof;
FIG. 12 is a left side view thereof;
FIG. 13 is a top view thereof; and,
FIG. 14 is a bottom view thereof.

1 Claim, 11 Drawing Sheets

(56) **References Cited**
U.S. PATENT DOCUMENTS

5,048,882 A	9/1991	Fielding et al.	
D398,725 S	9/1998	Merkel	
D427,487 S	7/2000	Holbrook	
6,868,776 B2	3/2005	Stevenson et al.	
D507,702 S	7/2005	Compagnucci	
D509,406 S	9/2005	Freese et al.	
D532,654 S	11/2006	Raichlen et al.	
D542,092 S	5/2007	Raichlen et al.	
D585,216 S *	1/2009	Colin D6/675.5
7,546,987 B2	6/2009	Sinkoff	



(56)

References Cited

U.S. PATENT DOCUMENTS

2013/0068806 A1 3/2013 Bayles
2014/0197121 A1* 7/2014 Knight A47B 88/988
211/86.01
2019/0350382 A1 11/2019 Ondrasik

* cited by examiner

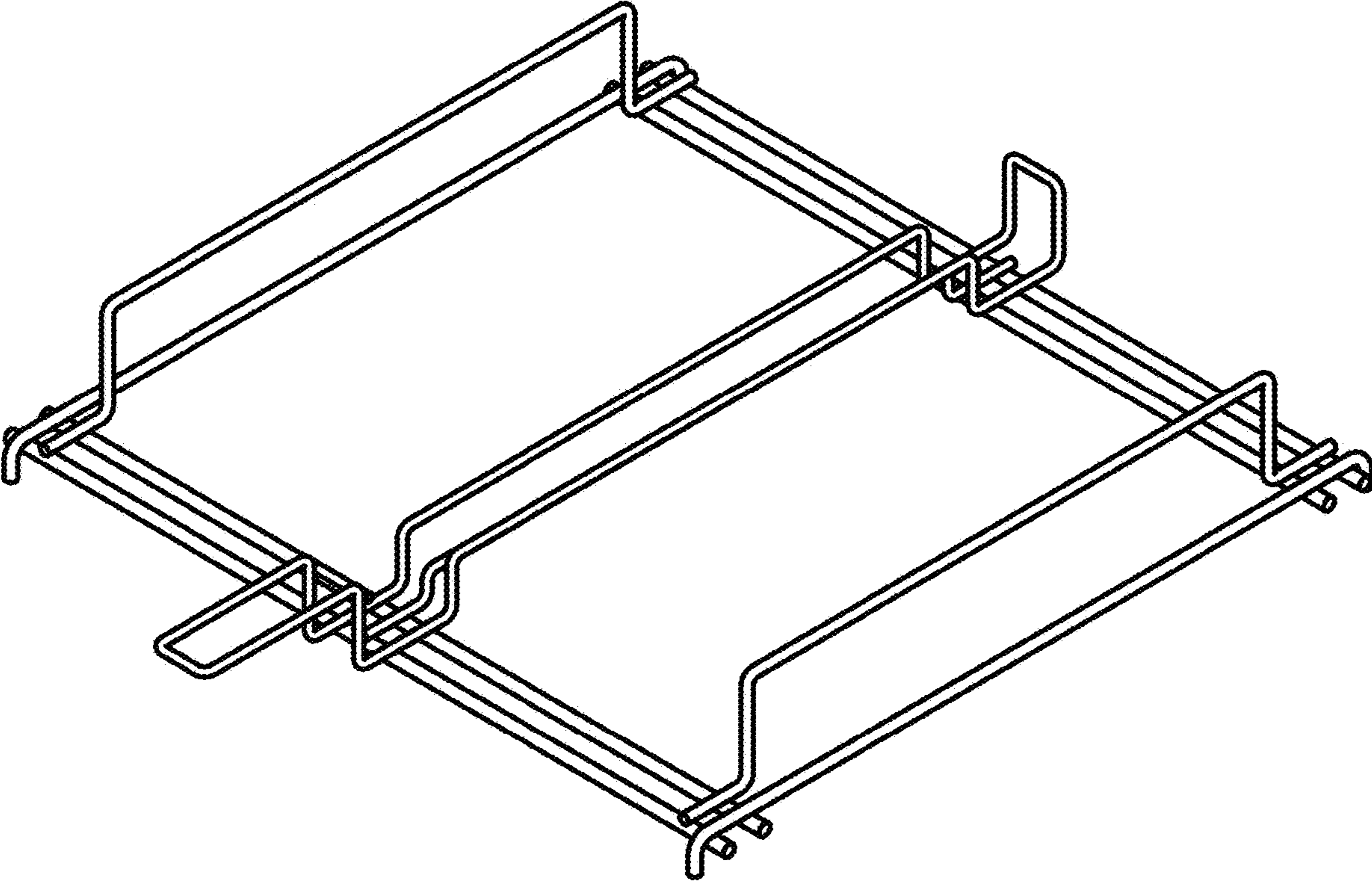


FIG. 1

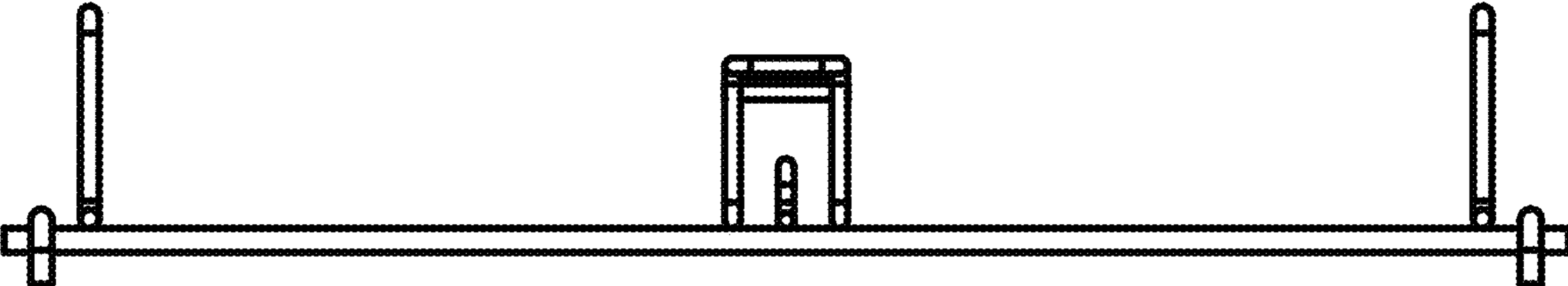


FIG. 2

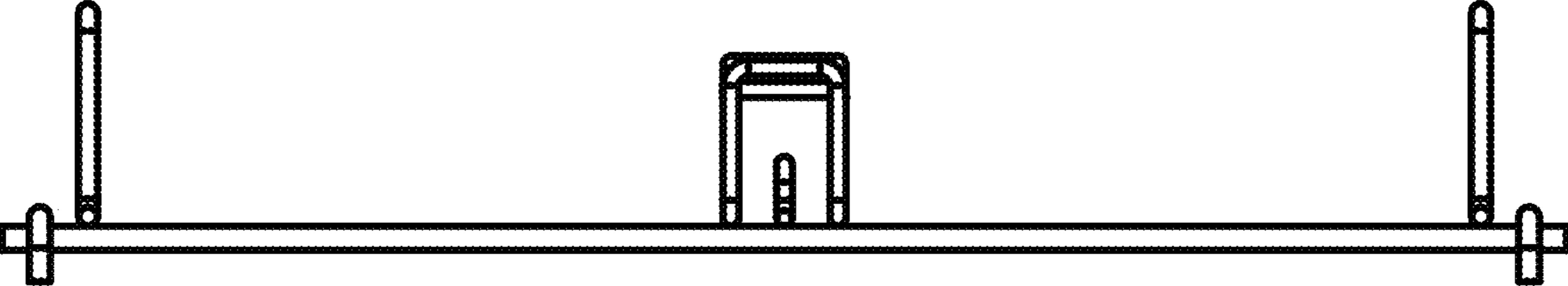


FIG. 3

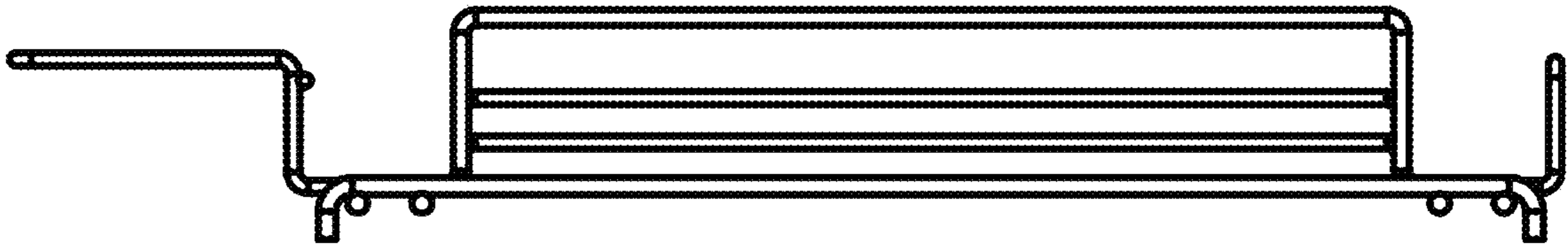


FIG. 4

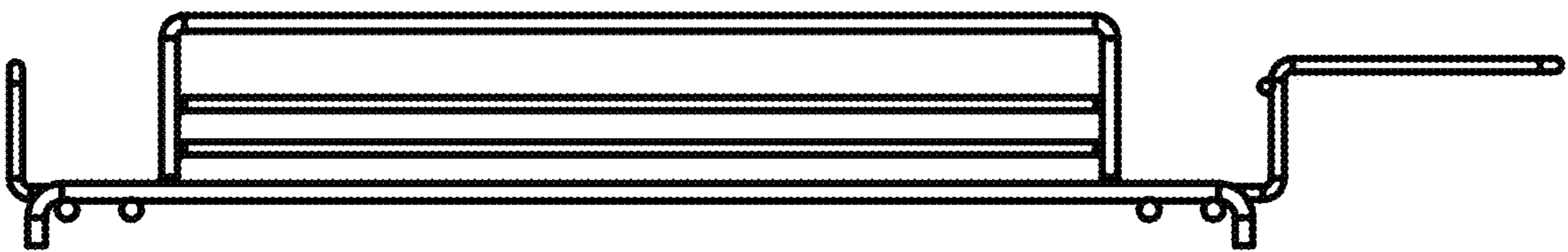


FIG. 5

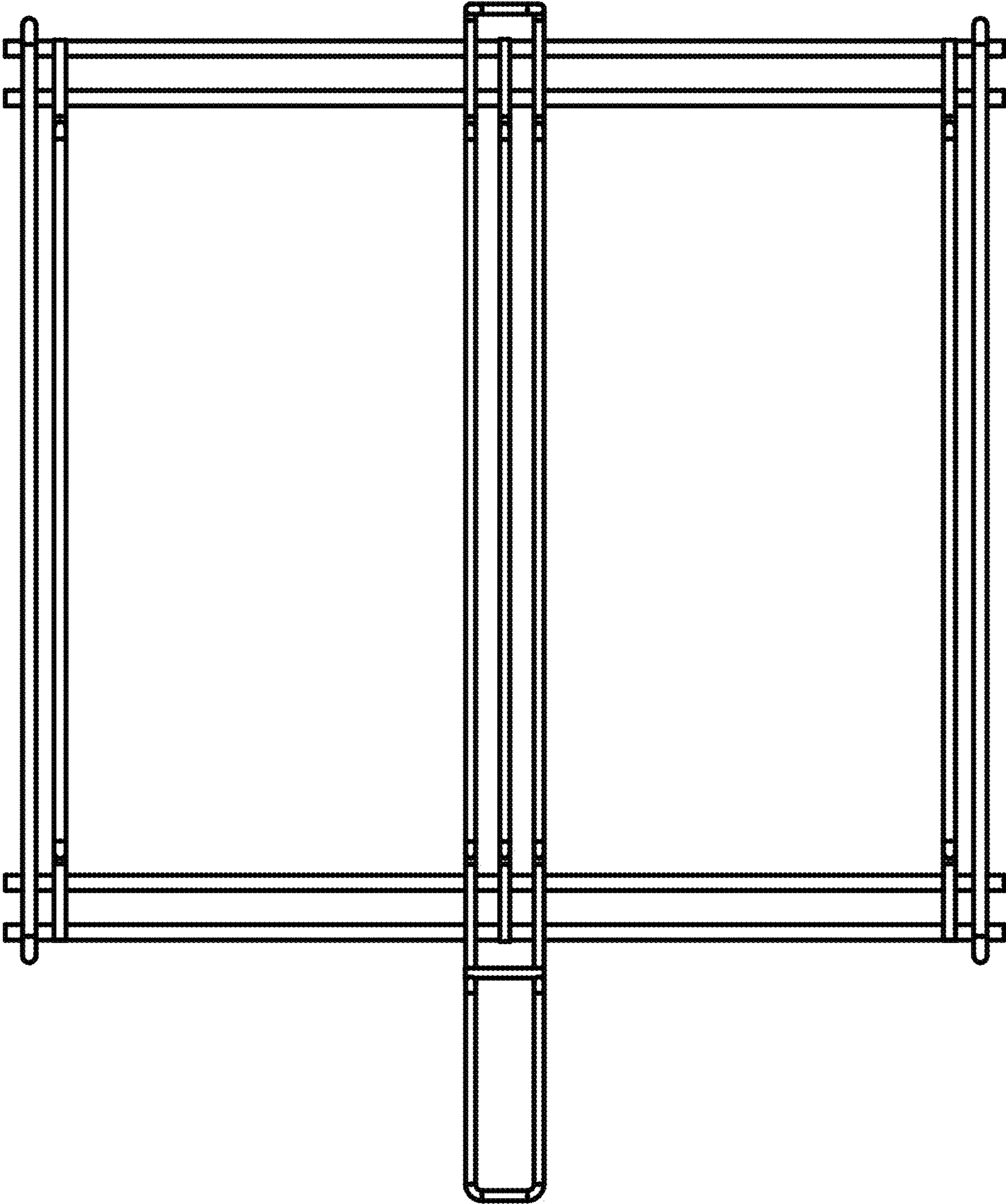


FIG. 6

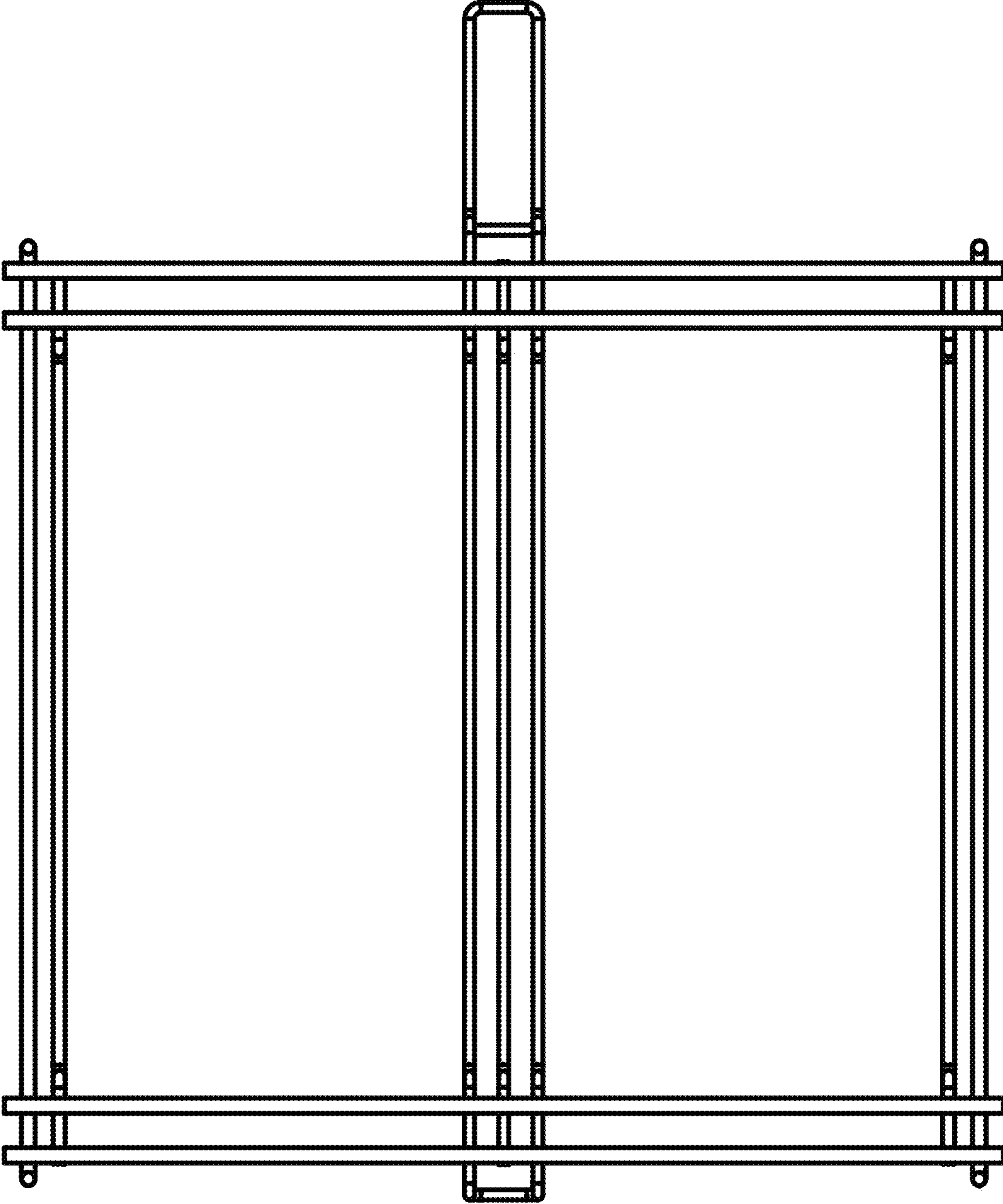


FIG. 7

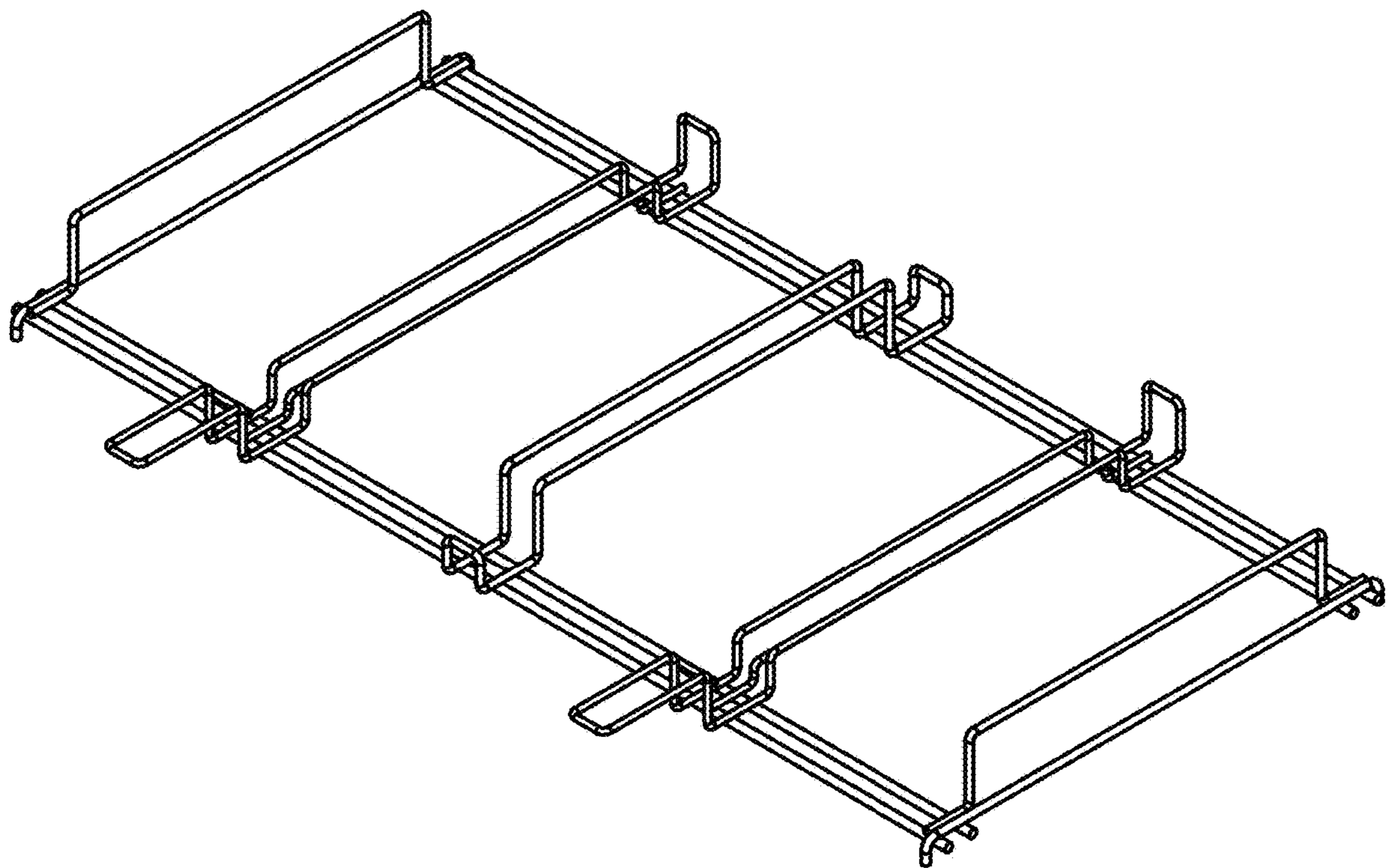


FIG. 8

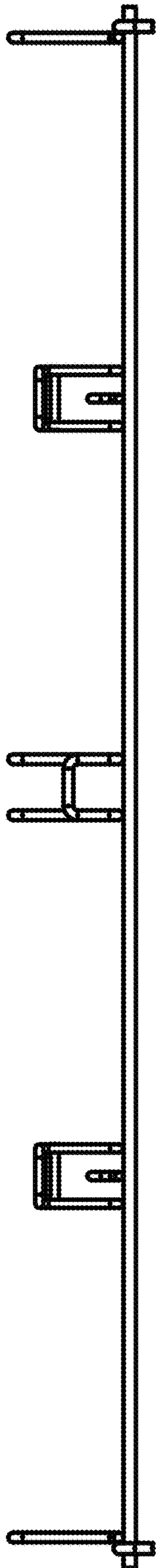


FIG. 9

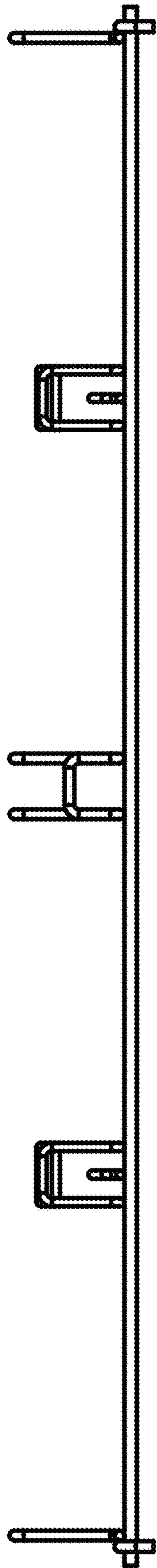


FIG. 10

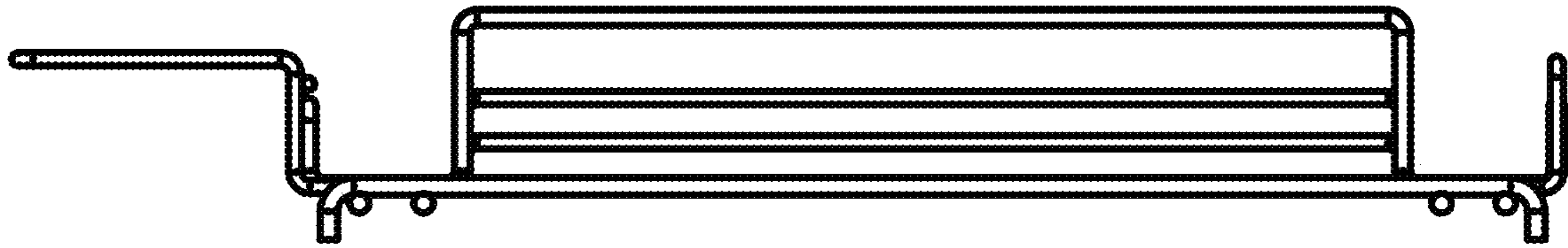


FIG. 11

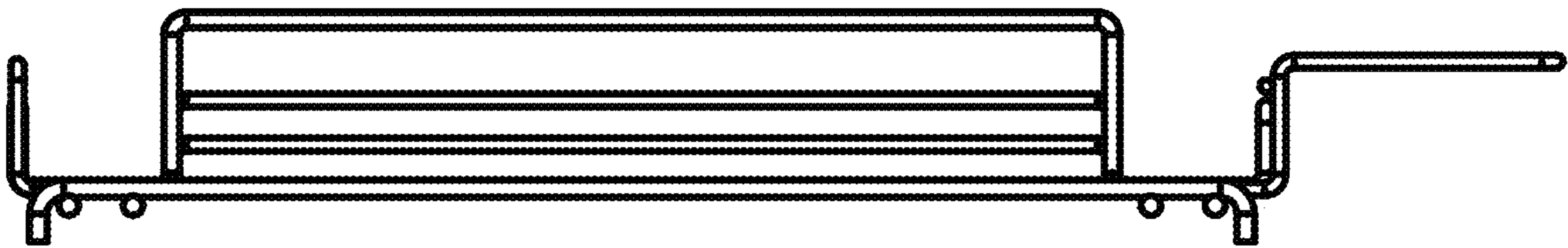


FIG. 12

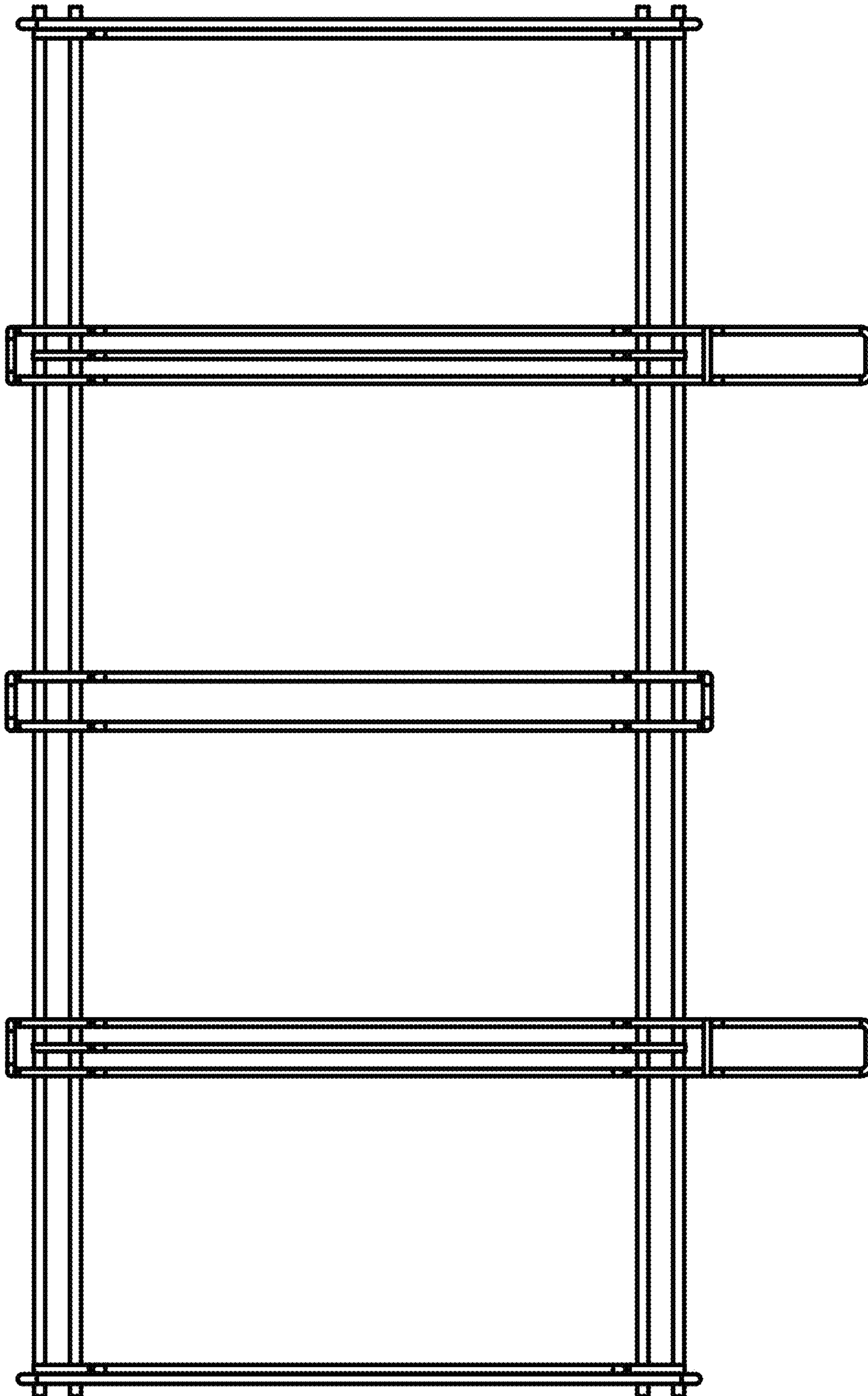


FIG.13

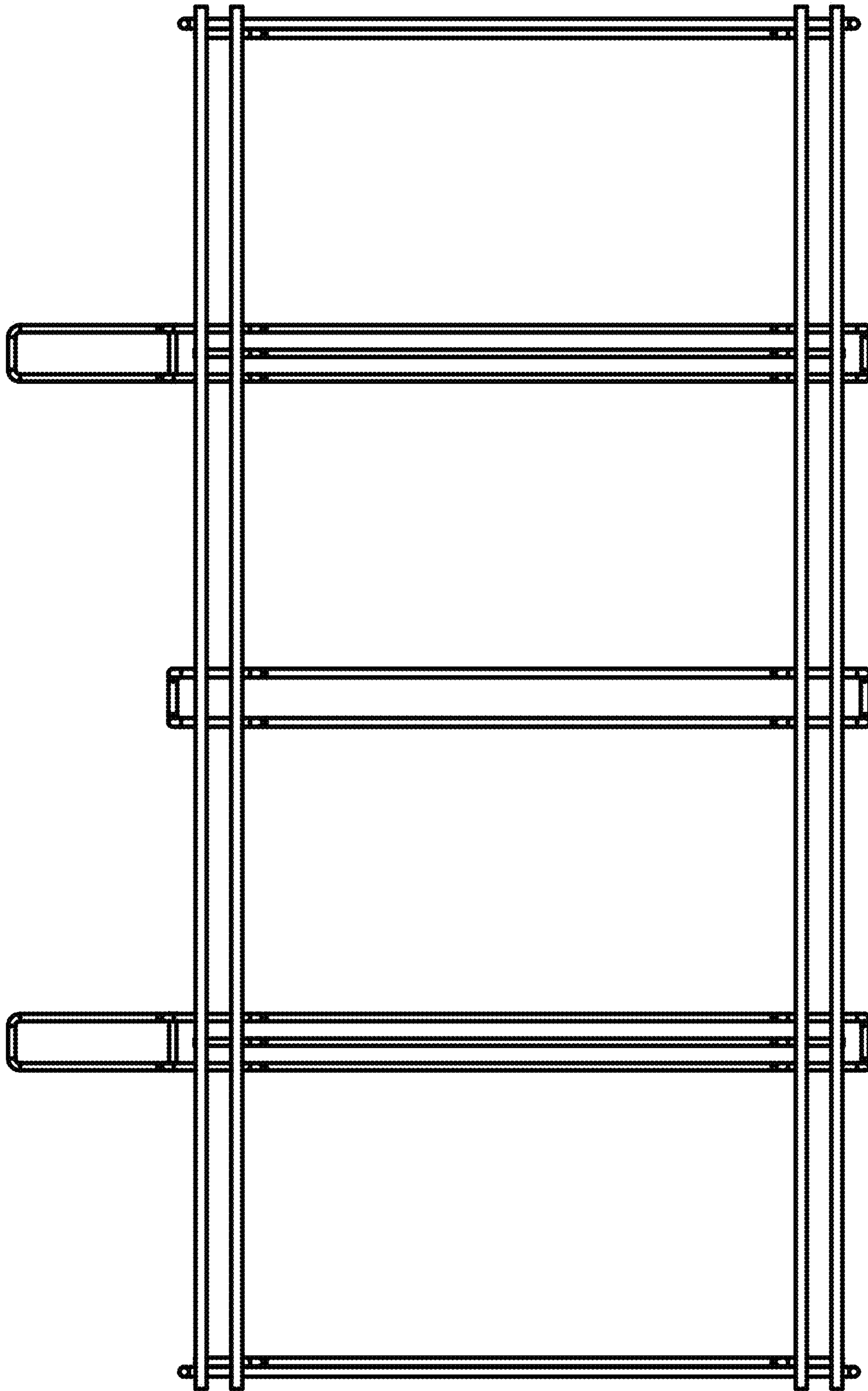


FIG.14