



US00D931048S

(12) **United States Design Patent**
Knöll

(10) **Patent No.:** **US D931,048 S**

(45) **Date of Patent:** **** Sep. 21, 2021**

(54) **BURNER GRATING**

7/002; F24C 7/046; F24C 7/067; F24C
15/02; F24C 15/04; F24C 15/10; F24C
15/102

(71) Applicant: **BSH Hausgeräte GmbH**, Munich (DE)

See application file for complete search history.

(72) Inventor: **Sebastian Knöll**, Hamburg (DE)

(56) **References Cited**

(73) Assignee: **BSH Hausgeräte GmbH**, Munich (DE)

U.S. PATENT DOCUMENTS

(**) Term: **15 Years**

D602,738 S * 10/2009 Bengtson D7/408
D634,579 S * 3/2011 Funnell, II D7/408

(21) Appl. No.: **29/719,661**

(Continued)

(22) Filed: **Jan. 7, 2020**

OTHER PUBLICATIONS

Related U.S. Application Data

Frigidaire Range Surface Burner Grate. Date First Available on Amazon.com Jan. 13, 2018 [https://www.amazon.com/A06891101-Surface-Original-Equipment-Manufacturer/dp/B07B3PYWT7/ref\(Year: 2018\).*](https://www.amazon.com/A06891101-Surface-Original-Equipment-Manufacturer/dp/B07B3PYWT7/ref(Year: 2018).*)

(62) Division of application No. 29/639,687, filed on Mar. 8, 2018, now Pat. No. Des. 889,186, which is a division of application No. 29/535,234, filed on Aug. 5, 2015, now Pat. No. Des. 814,843, which is a division of application No. 29/497,779, filed on Jul. 29, 2014, now Pat. No. Des. 741,103, which is a division of application No. 29/488,747, filed on Apr. 23, 2014, now Pat. No. Des. 715,587, which is a division of application No. 29/475,657, filed on Dec.

(Continued)

Primary Examiner — Ricky Pham

(74) *Attorney, Agent, or Firm* — Michael E. Tschpp; Andre Pallapies; Brandon G. Braun

(57) **CLAIM**

The ornamental design for a burner grating, as shown and described.

(30) **Foreign Application Priority Data**

DESCRIPTION

Mar. 12, 2012 (EM) 001319693

(51) **LOC (13) Cl.** **07-02**

(52) **U.S. Cl.**
USPC **D7/408**; D7/339; D7/340; D7/409

(58) **Field of Classification Search**
USPC D7/323, 328–330, 339–349, 390,
D7/402–406; D8/300–306
CPC ... A21B 2/00; A47J 37/00; A47J 37/06; A47J
37/0611; A47J 37/08; A47J 37/0807;
A47J 37/0814; A47J 37/0835; A47J
37/0842; A47J 37/085; A47J 37/0864;
A47J 37/0878; A47J 37/0885; A47J
37/0892; F24C 3/08; F24C 7/00; F24C

FIG. 1 is a front perspective view of a burner grating according to a first embodiment showing my new ornamental design;

FIG. 2 is a top view thereof;

FIG. 3 is a front perspective view of a burner grating according to a second embodiment showing my new ornamental design;

FIG. 4 is a right side view thereof;

FIG. 5 is a left side view thereof;

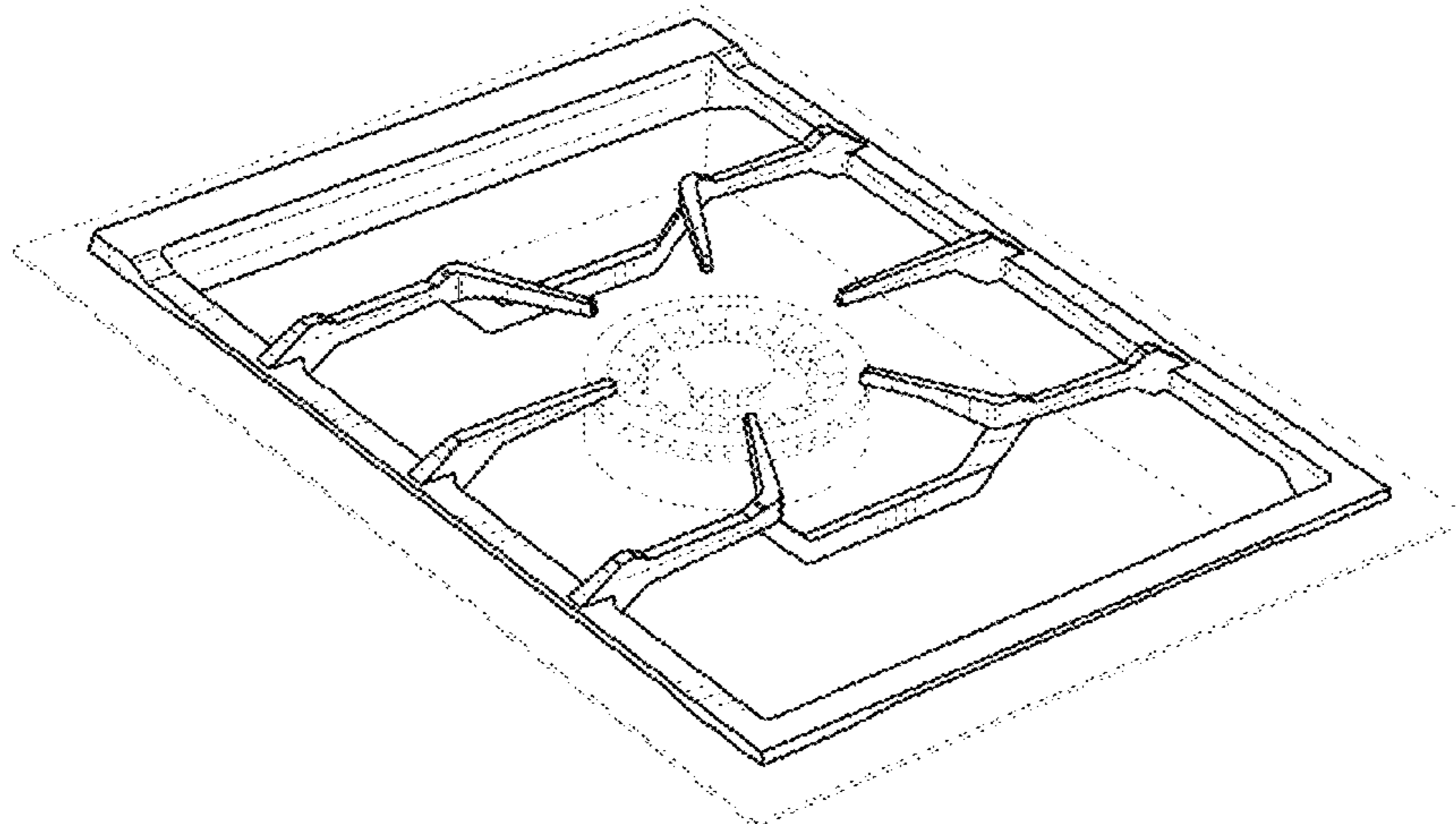
FIG. 6 is a top view thereof;

FIG. 7 is a bottom view thereof;

FIG. 8 is a front view thereof; and,

FIG. 9 is a rear view thereof.

(Continued)



The broken lines shown in the drawings are for illustrative purposes only and form no part of the claimed design.

1 Claim, 7 Drawing Sheets

Related U.S. Application Data

5, 2013, now Pat. No. Des. 710,142, which is a division of application No. 29/431,754, filed on Sep. 11, 2012, now Pat. No. Des. 697,749.

(56) **References Cited**

U.S. PATENT DOCUMENTS

D697,756	S *	1/2014	Segers	D7/408
D765,459	S *	9/2016	Shoemaker	D7/346
D782,863	S *	4/2017	Kamper	D7/346
D797,504	S *	9/2017	Shoemaker	D7/408
D798,661	S *	10/2017	Shoemaker	D7/408
D798,662	S *	10/2017	Shoemaker	D7/408
D812,958	S *	3/2018	Kim	D7/346
D846,945	S *	4/2019	Kamper	D7/408
D847,566	S *	5/2019	Kamper	D7/408
D857,452	S *	8/2019	Sadtler	D7/408
2011/0120446	A1 *	5/2011	Simms	F24C 3/08 126/39 E

* cited by examiner

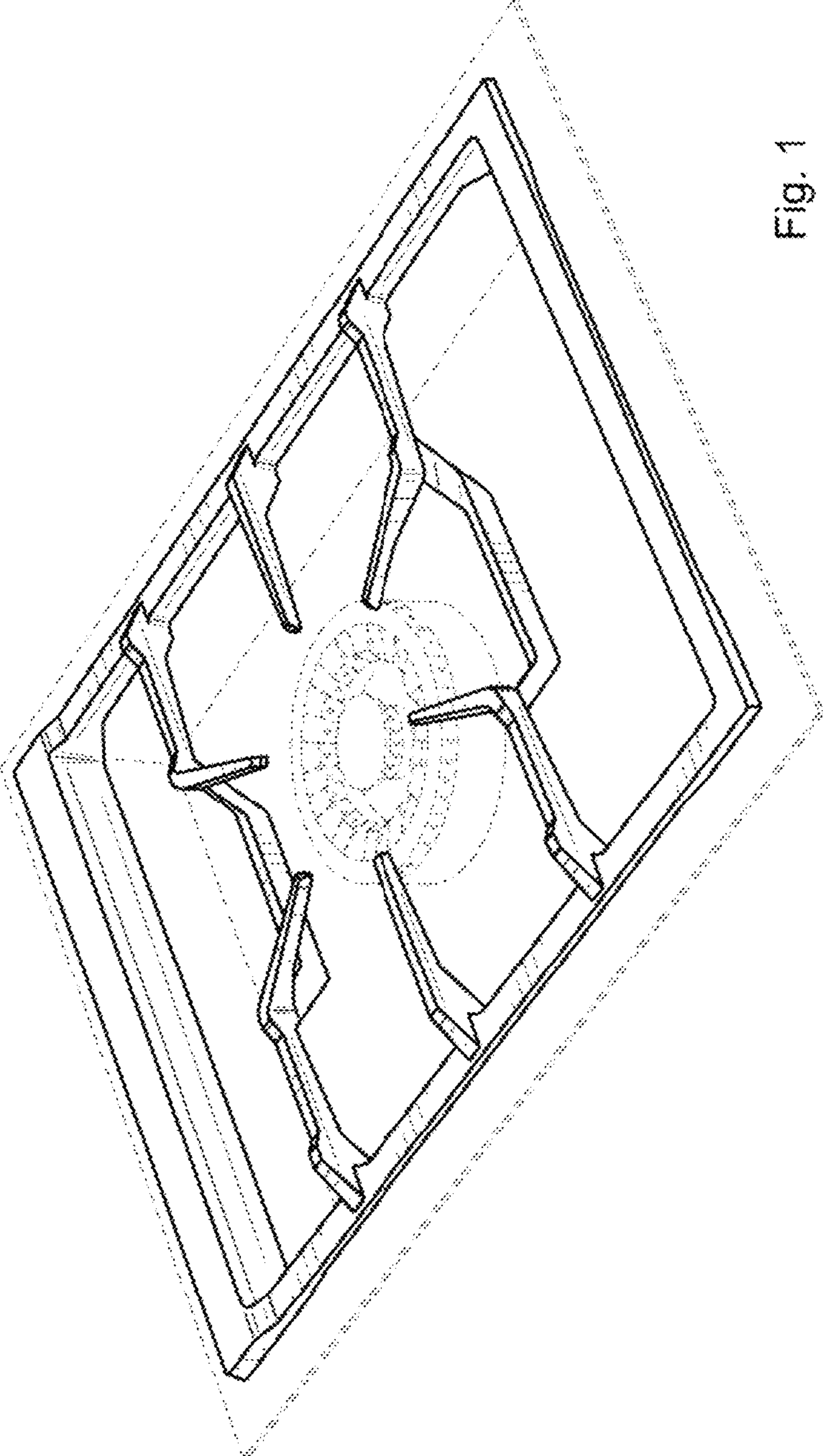


Fig. 1

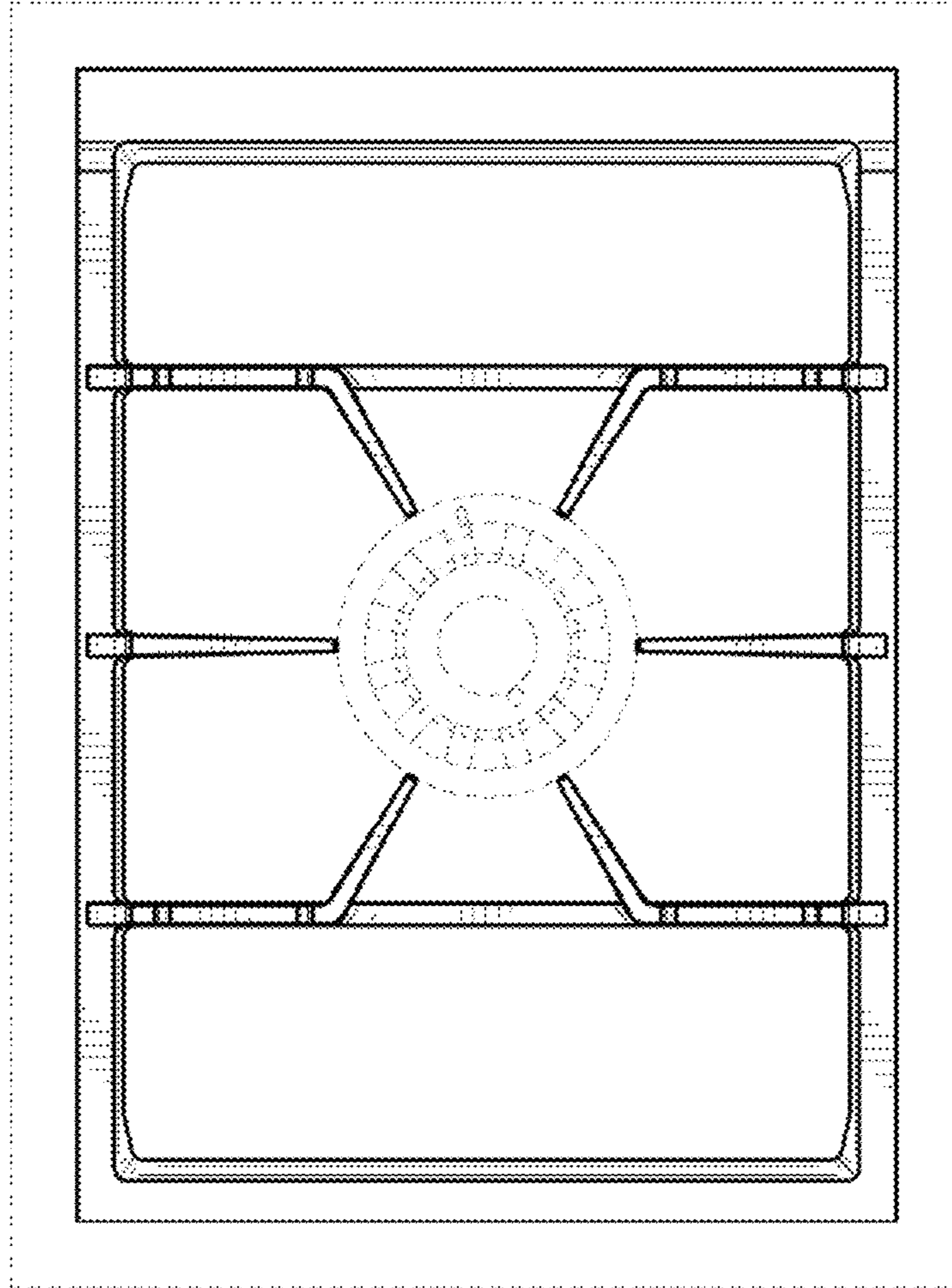


Fig. 2

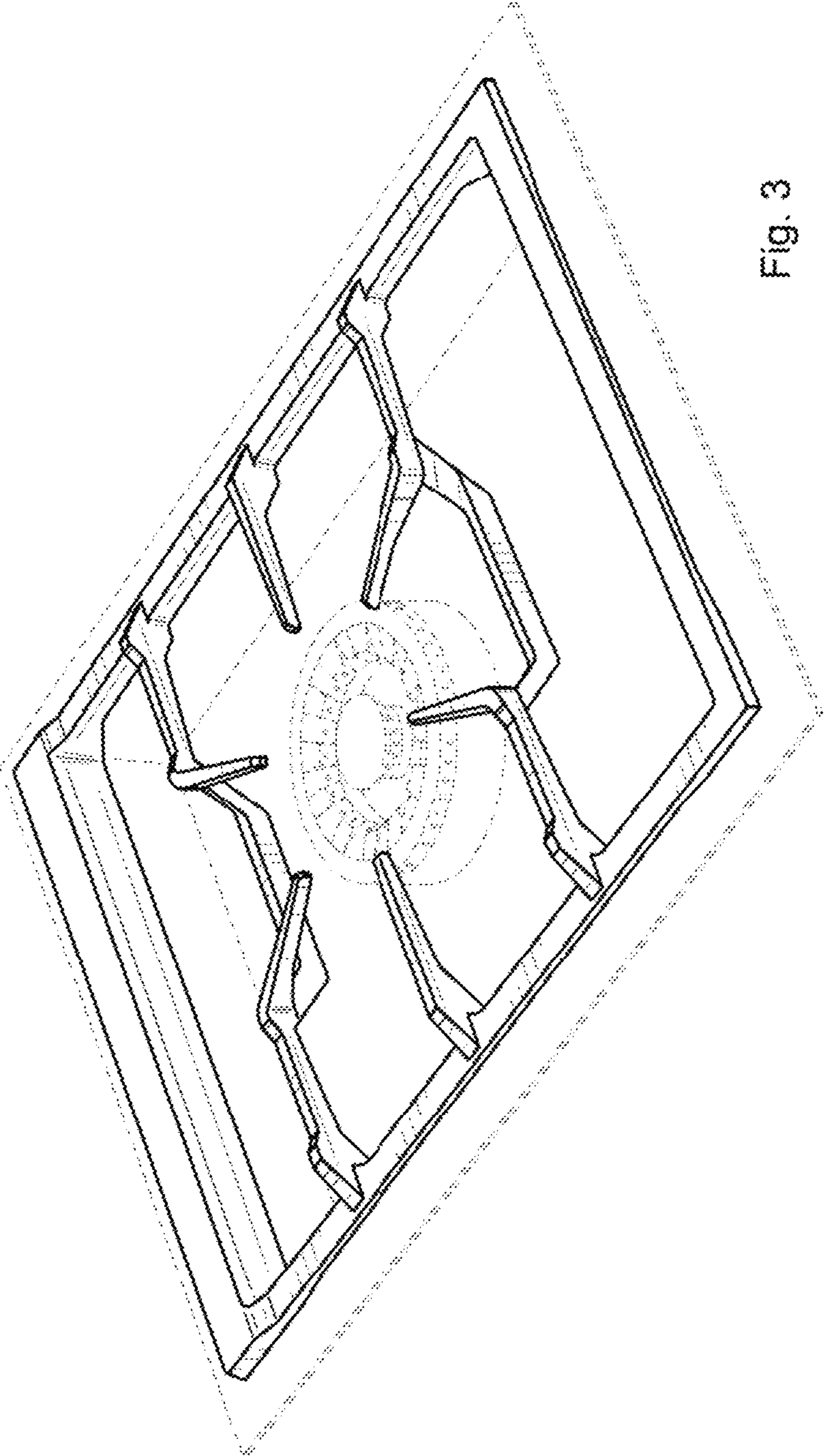


Fig. 3

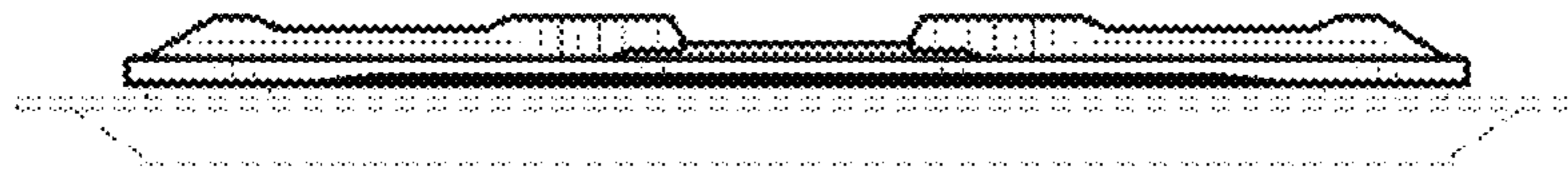


Fig. 4

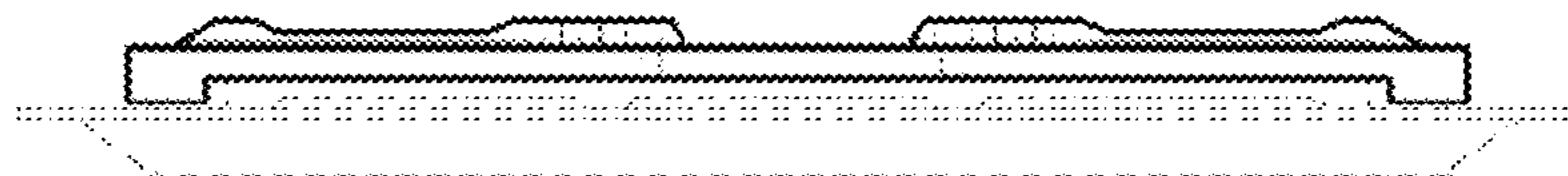


Fig. 5

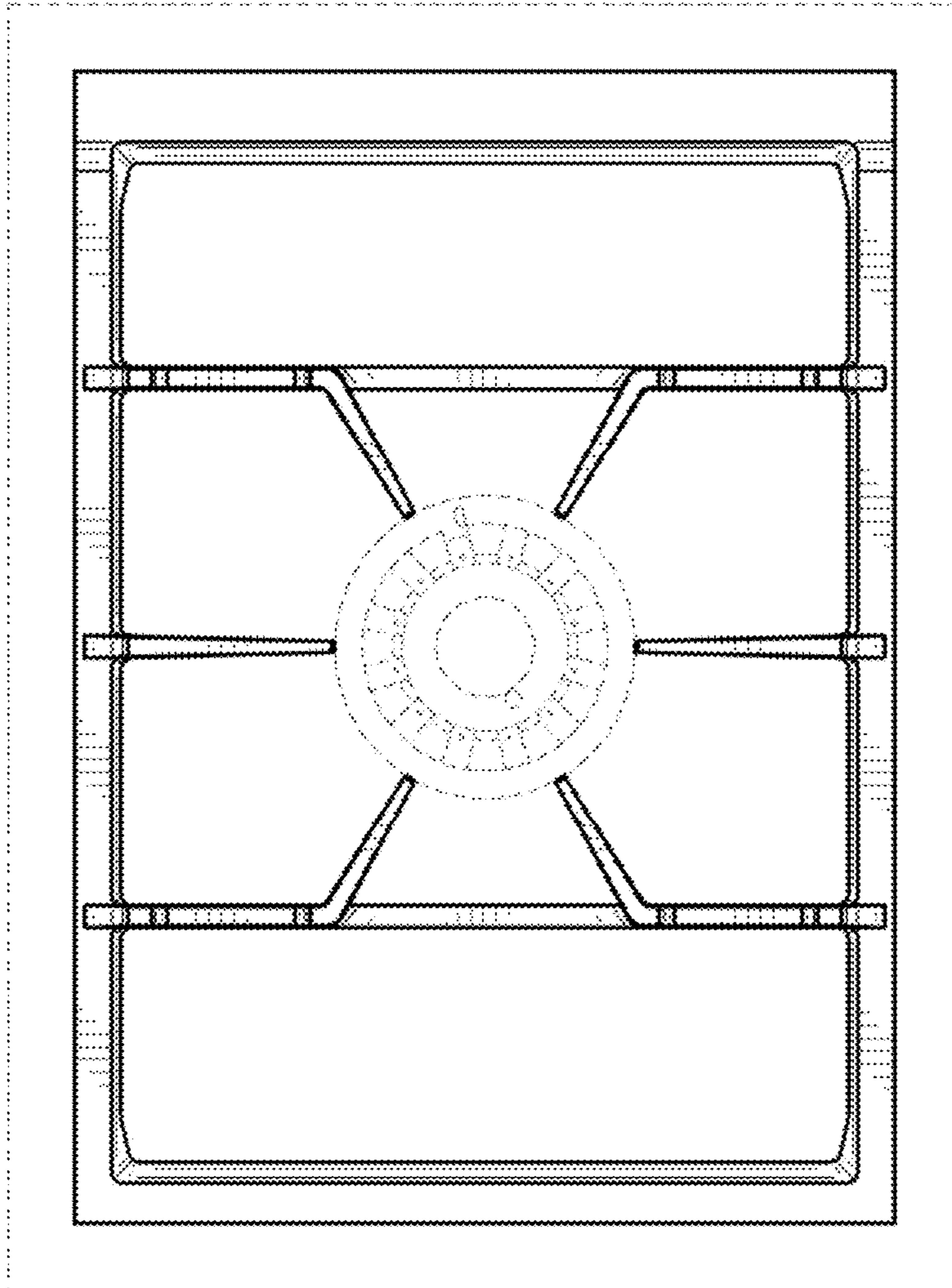


Fig. 6

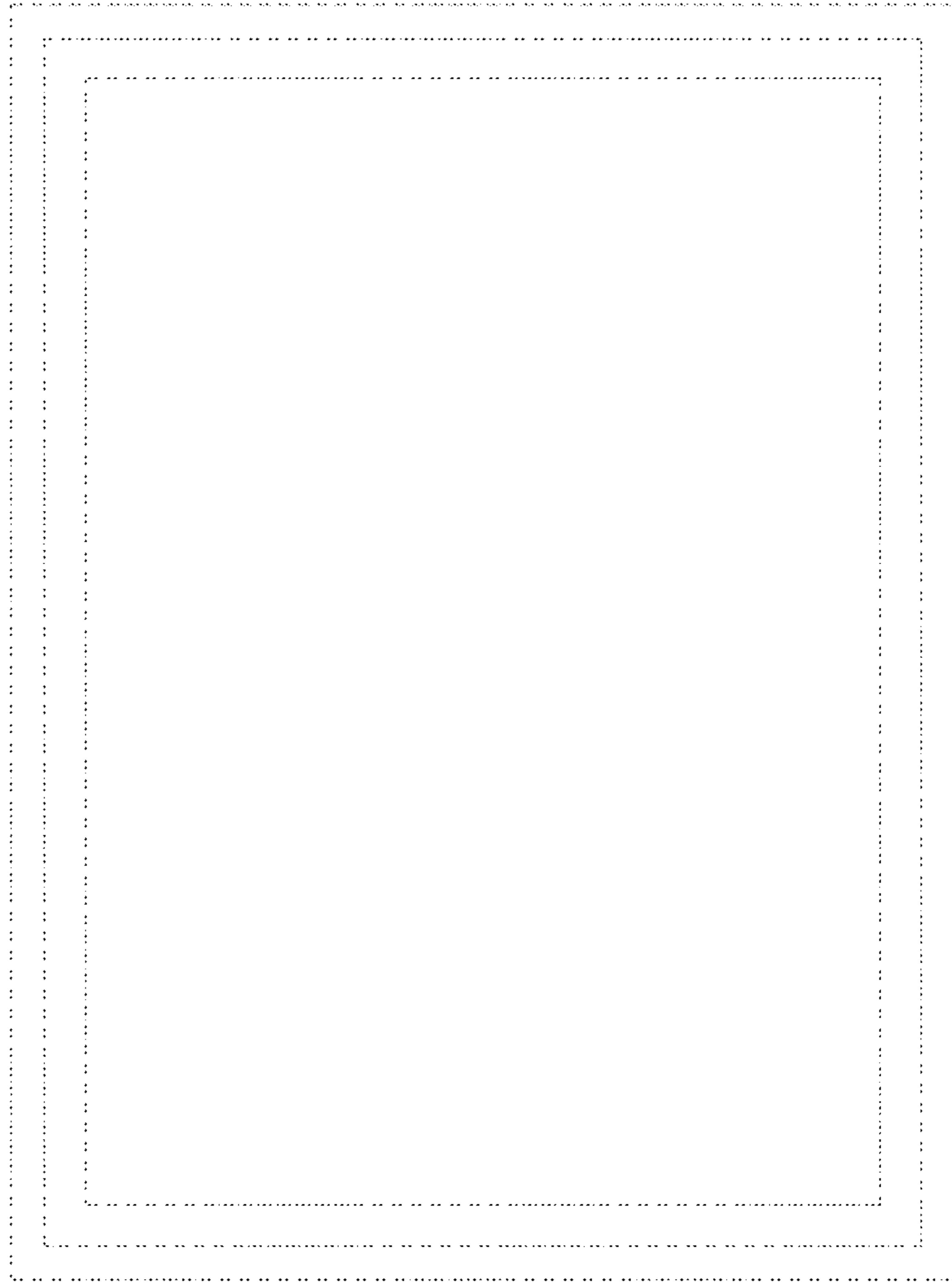


Fig. 7

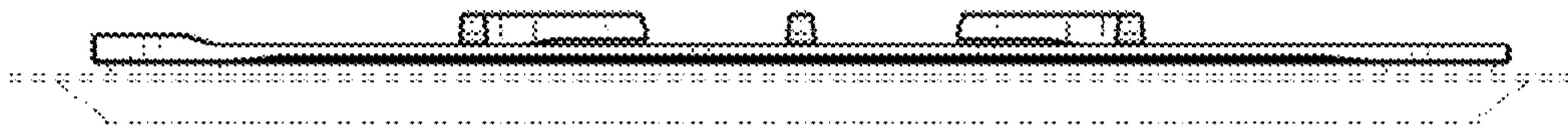


Fig. 8

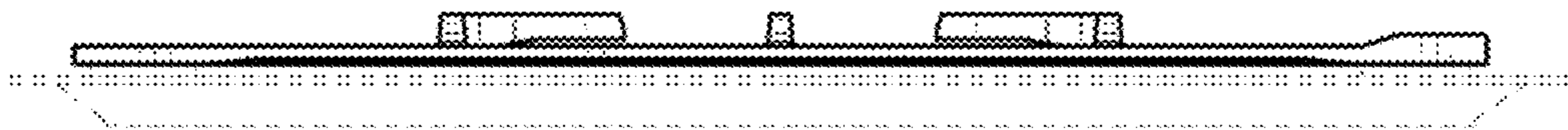


Fig. 9