



US00D931047S

(12) **United States Design Patent** (10) **Patent No.:** **US D931,047 S**  
**Sasena et al.** (45) **Date of Patent:** **\*\* Sep. 21, 2021**

(54) **BEVERAGE CARTRIDGE**

(71) Applicant: **Keurig Green Mountain, Inc.**,  
Burlington, MA (US)

(72) Inventors: **Robert John Sasena**, Acton, MA (US);  
**Elaine Marie Duffy**, Arlington, MA  
(US); **Kin Chung Choi**, Hong Kong  
(CN)

(73) Assignee: **Keurig Green Mountain, Inc.**,  
Burlington, MA (US)

(\*\*) Term: **15 Years**

(21) Appl. No.: **29/711,753**

(22) Filed: **Nov. 1, 2019**

(51) **LOC (13) Cl.** ..... **07-02**

(52) **U.S. Cl.**  
USPC ..... **D7/400**

(58) **Field of Classification Search**  
USPC ..... D7/300, 316, 387, 397, 399, 400, 401,  
D7/500, 533, 536, 560-565, 584, 585,  
D7/590, 600.1, 600.2, 600.4, 601, 602,  
D7/607, 608, 619.1, 667, 700, 704;  
D6/677, 677.5, 680, 682, 683.1; D8/354,  
D8/382, 396; D9/416, 424, 425,  
D9/427-429, 438, 443, 454, 500, 516,  
D9/520; D19/90; D23/213, 259, 262;  
D24/224; D3/306, 313

CPC .. A47J 31/00; A47J 31/02; A47J 31/06; A47J  
31/0605; A47J 31/061; A47J 31/0636;  
A47J 31/0642; A47J 31/0663; A47J  
31/0668; A47J 31/0689; A47J 31/08;  
A47J 31/20; A47J 31/44; A47J  
2031/0694; B65D 85/8043; B65D  
85/8046

See application file for complete search history.

(56) **References Cited**

**U.S. PATENT DOCUMENTS**

D32,223 S \* 2/1900 Sutton ..... D7/387  
D255,313 S \* 6/1980 Elkerbout ..... D7/400

D356,008 S \* 3/1995 Reiger ..... D7/388  
D457,388 S \* 5/2002 Milroy ..... D7/213  
D474,997 S \* 5/2003 Berzack ..... D11/222  
D571,623 S \* 6/2008 Loving ..... D7/608  
D645,344 S \* 9/2011 Liebowitz ..... D9/435  
D723,329 S \* 3/2015 Dakis ..... D7/400

(Continued)

**OTHER PUBLICATIONS**

Keurig My K-Cup Universal Reusable K-Cup Pod Coffee Filter,  
first available Oct. 16, 2017, Amazon, [online], [site visited Apr. 14,  
2021], Available from internet URL: <https://www.amazon.com/Keurig-Universal-Reusable-Ground-Compatible/dp/B0737B6HGR>  
(Year: 2017).\*

(Continued)

*Primary Examiner* — Mary Ann Calabrese  
*Assistant Examiner* — Natalya M Rapundalo  
(74) *Attorney, Agent, or Firm* — Wolf, Greenfield &  
Sacks, P.C.

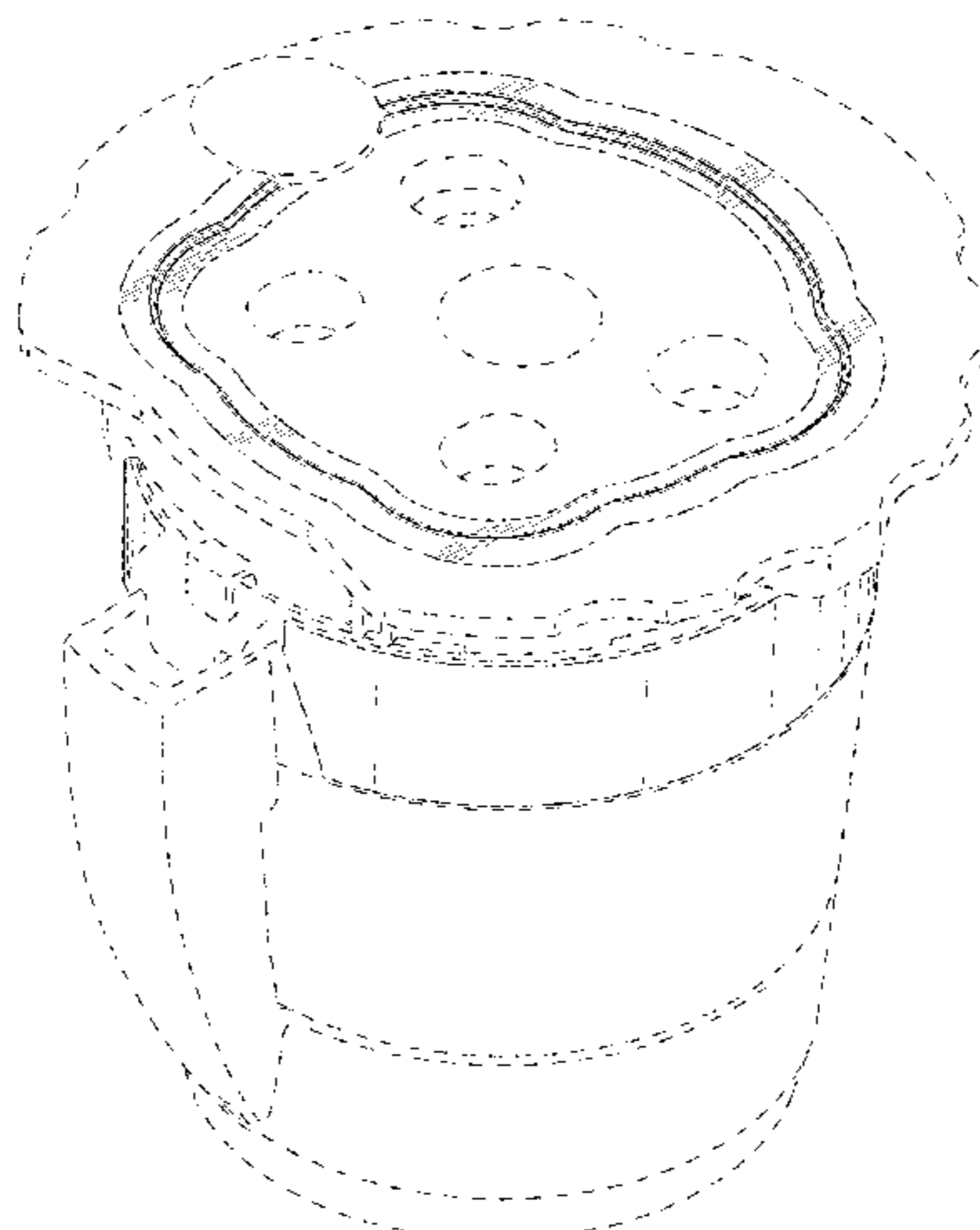
(57) **CLAIM**

The ornamental design for a beverage cartridge, as shown  
and described.

**DESCRIPTION**

FIG. 1 is a top, front, and right side perspective view of a  
beverage cartridge showing our new design;  
FIG. 2 is a left side elevation view thereof;  
FIG. 3 is a front elevation view thereof.  
FIG. 4 is a right side elevation view thereof;  
FIG. 5 is a rear elevation view thereof;  
FIG. 6 is a top plan view thereof; and,  
FIG. 7 is a bottom plan view thereof.  
The dot-dash broken lines illustrate boundaries of the claim  
and form no part of the claimed design. The dash-dash  
broken lines illustrate portions of the beverage cartridge that  
form no part of the claimed design.

**1 Claim, 7 Drawing Sheets**



(56)

**References Cited**

## U.S. PATENT DOCUMENTS

D723,868	S	*	3/2015	Hertaus	.....	D7/400
D747,139	S	*	1/2016	Rondelli	.....	D7/400
D764,226	S	*	8/2016	Ming	.....	D7/400
D767,331	S	*	9/2016	Burrows	.....	D7/400
D787,152	S	*	5/2017	Huthmaker	.....	D1/128
D791,534	S	*	7/2017	Bueno	.....	D7/400
D800,497	S	*	10/2017	Fedorak	.....	D7/397
D804,946	S	*	12/2017	White	.....	D9/447
D842,032	S	*	3/2019	Thomas	.....	D7/400
D860,724	S	*	9/2019	Kassin	.....	D7/400
D889,232	S	*	7/2020	Qin	.....	D8/71
D892,276	S	*	8/2020	Meyers	.....	D23/261
D896,626	S	*	9/2020	Buckley	.....	D8/396
D900,593	S	*	11/2020	McKillips	.....	D8/354
D910,371	S	*	2/2021	Zhang	.....	D7/400

## OTHER PUBLICATIONS

Keurig My K-Cup Universal Reusable Filter, first available Nov. 20, 2020, Amazon, [online], [site visited Apr. 14, 2021], Available from internet URL: <https://www.amazon.com/Keurig-Universal-Reusable-MultiStream-Technology/dp/B08DHC73P6> (Year: 2020).\*

Design No. 306246844, Dec. 25, 2020—China National Intellectual Property Administration (CNIPA) Publication Date—Dec. 29, 2020 Owner—Keurig Green Mountain Inc., Designer—Luo Bote j sasaina et. al. WIPO, available at <https://www3.wipo.int/designdb/en/index.jsp> (Year: 2020).\*

Design No. 306254022, Dec. 29, 2020—China National Intellectual Property Administration (CNIPA) Publication Date—Dec. 25, 2020 Owner—Keurig Green Mountain Inc., Designer—Luo Bote j sasaina et. al. WIPO, available at <https://www3.wipo.int/designdb/en/index.jsp> (Year: 2020).\*

U.S. Appl. No. 29/711,754, filed Nov. 1, 2019, Sasena et al.

\* cited by examiner

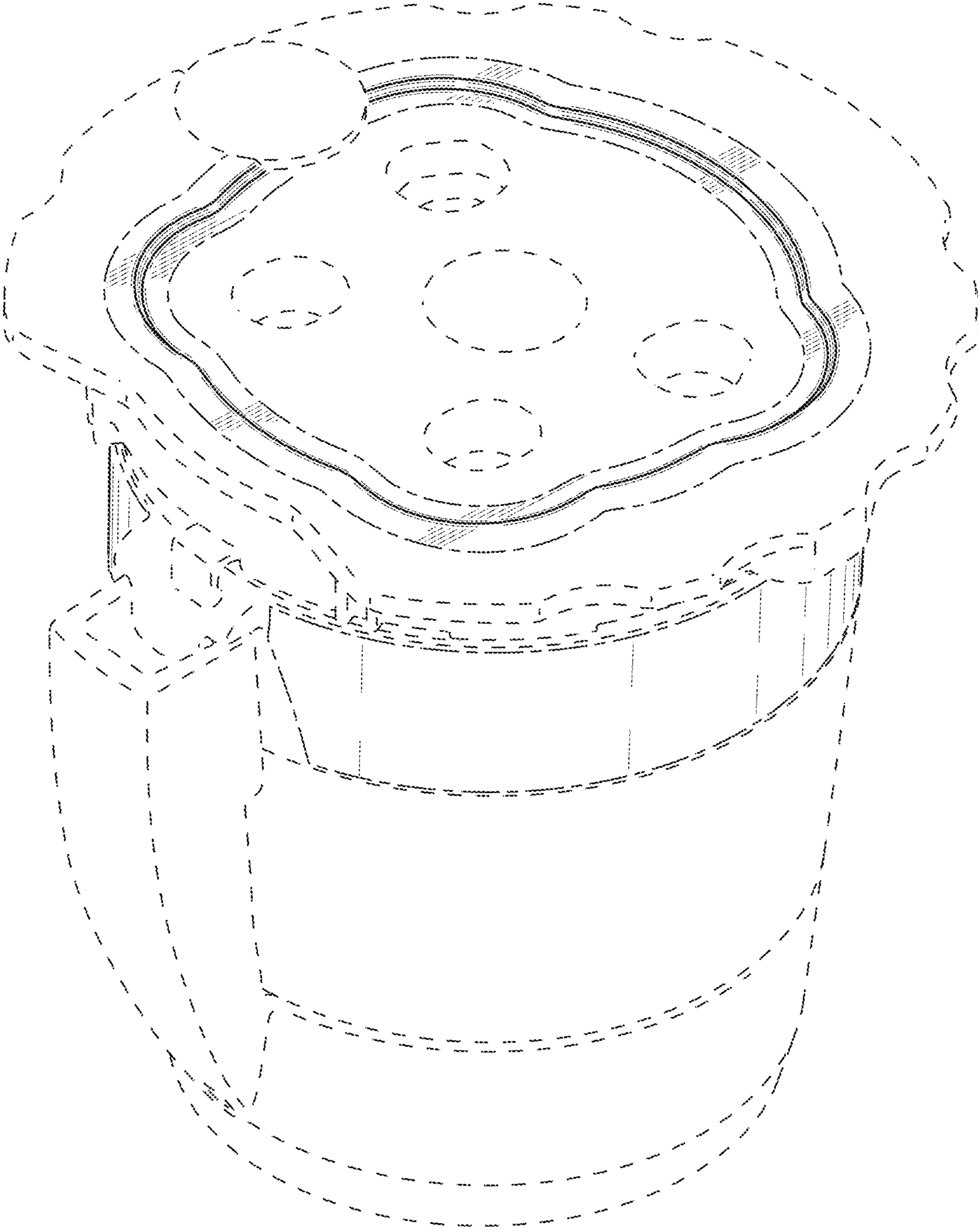


FIG. 1

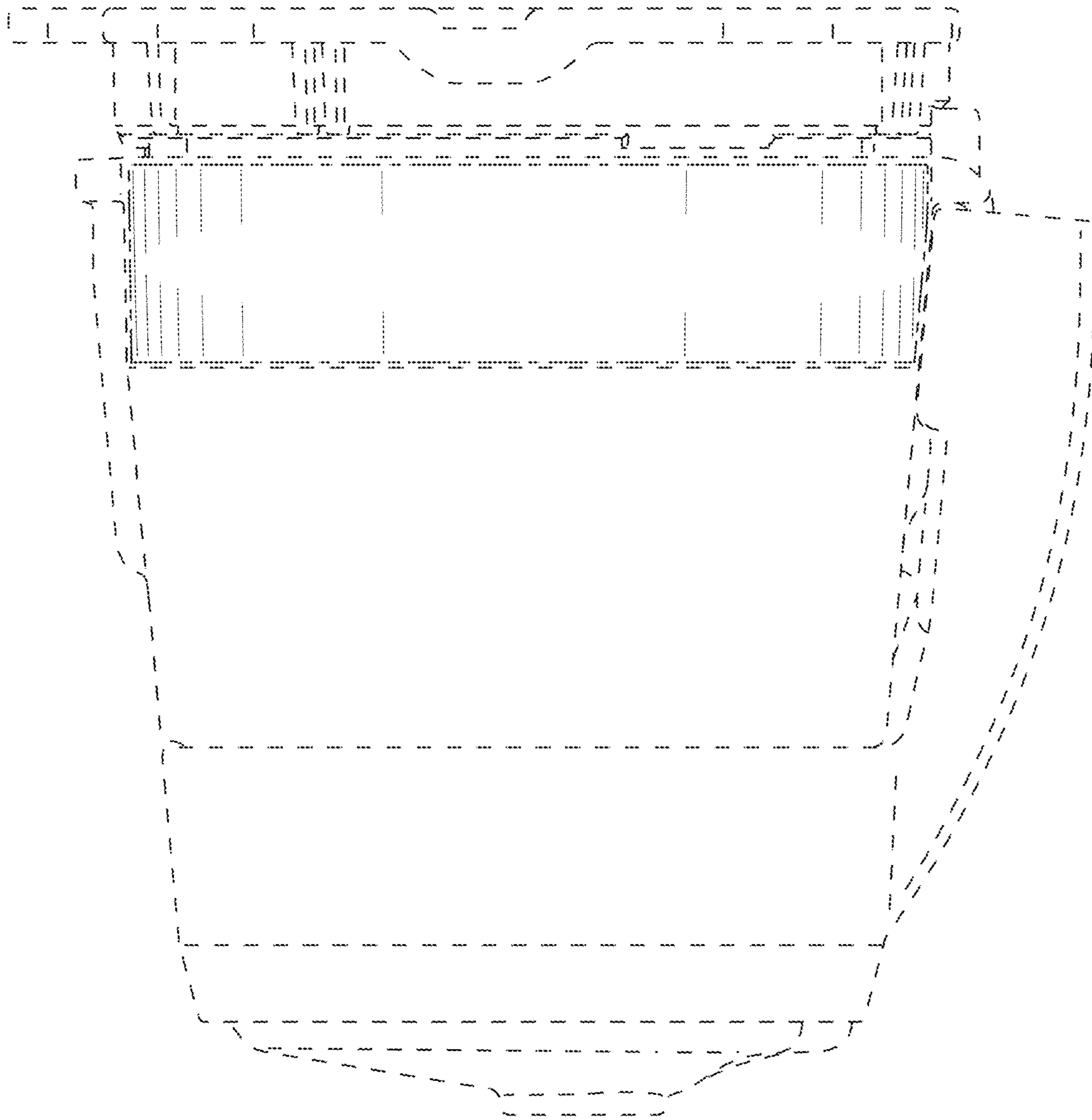


FIG. 2

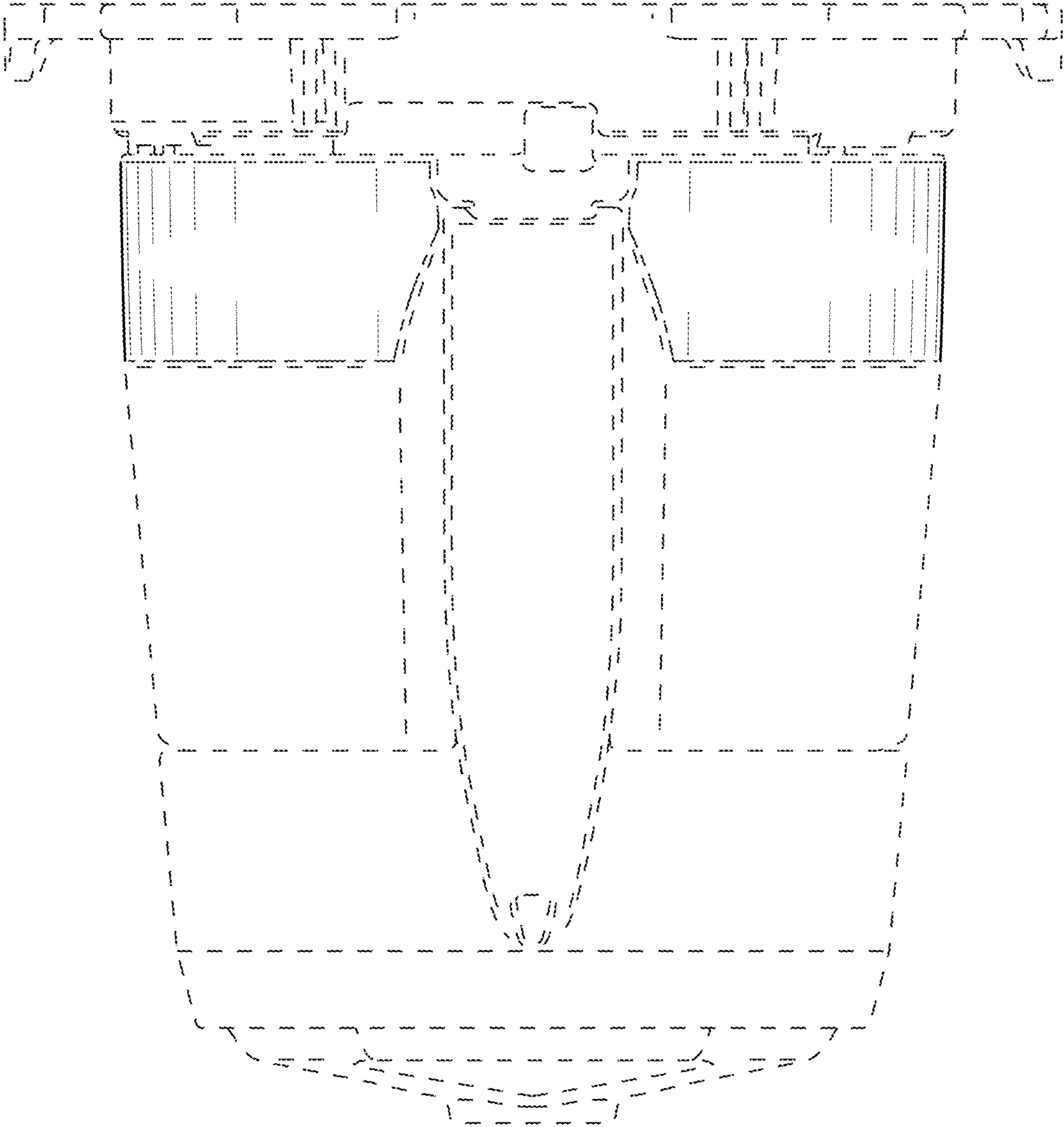


FIG. 3

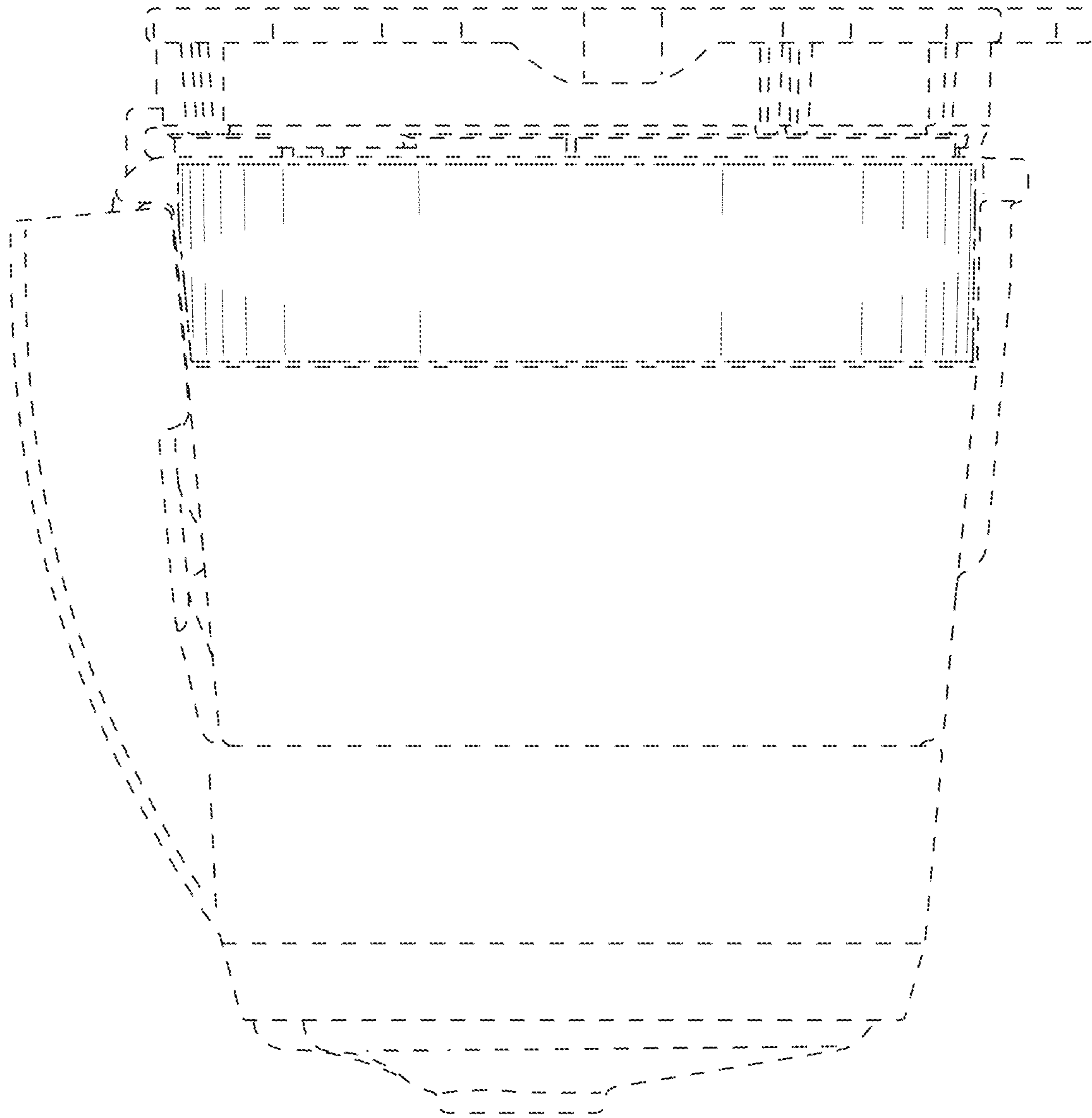


FIG. 4

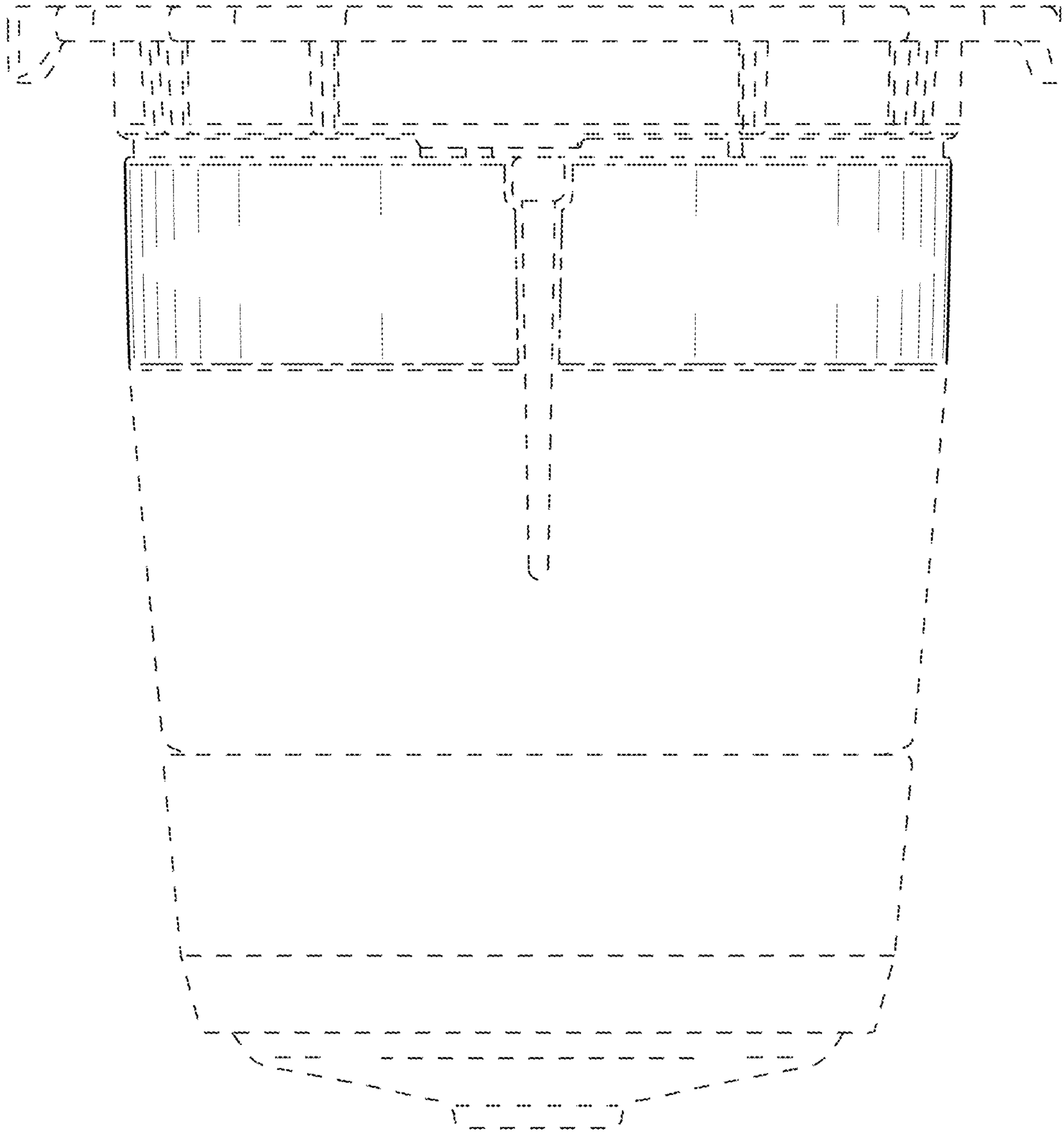


FIG. 5

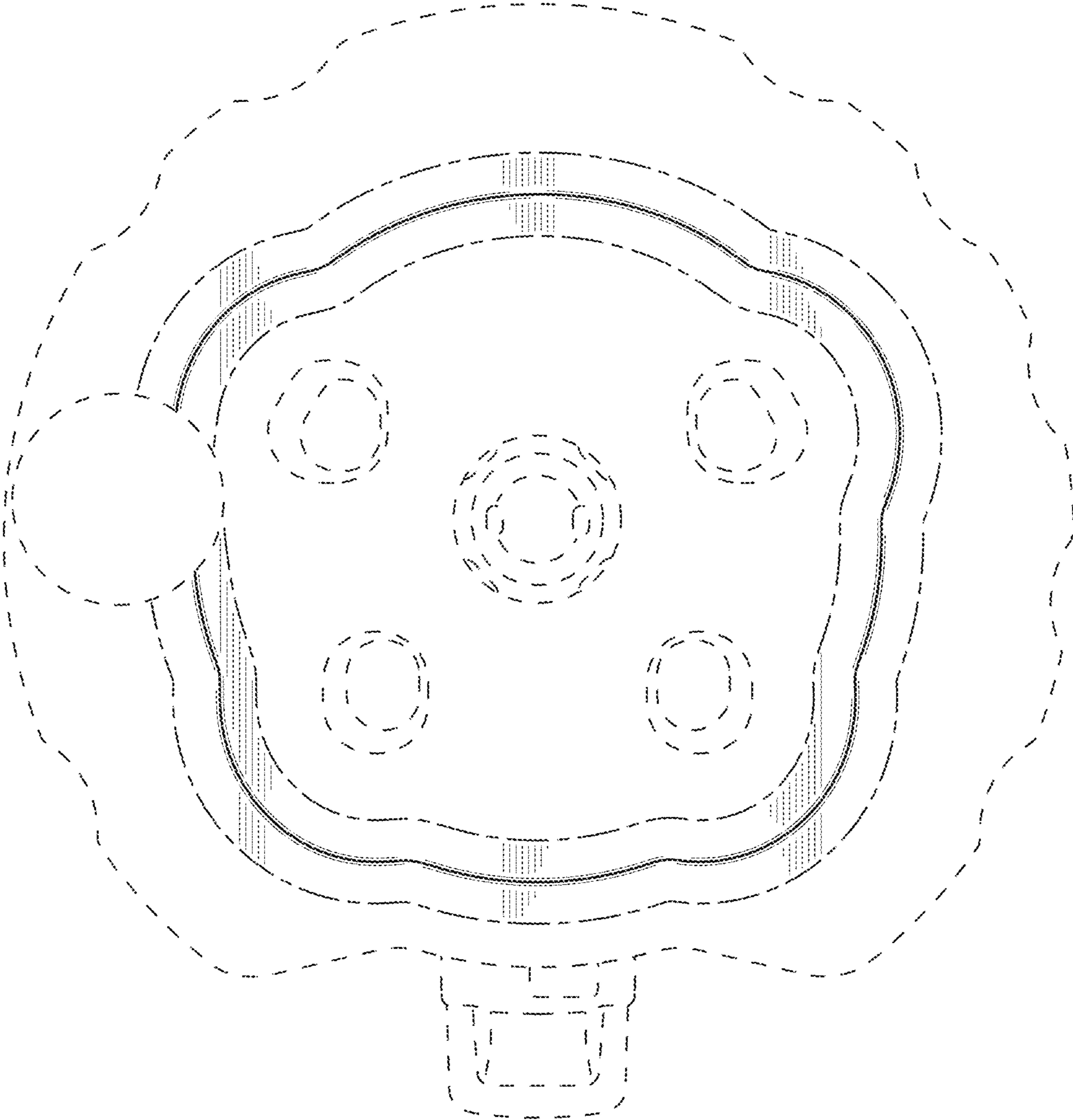


FIG. 6



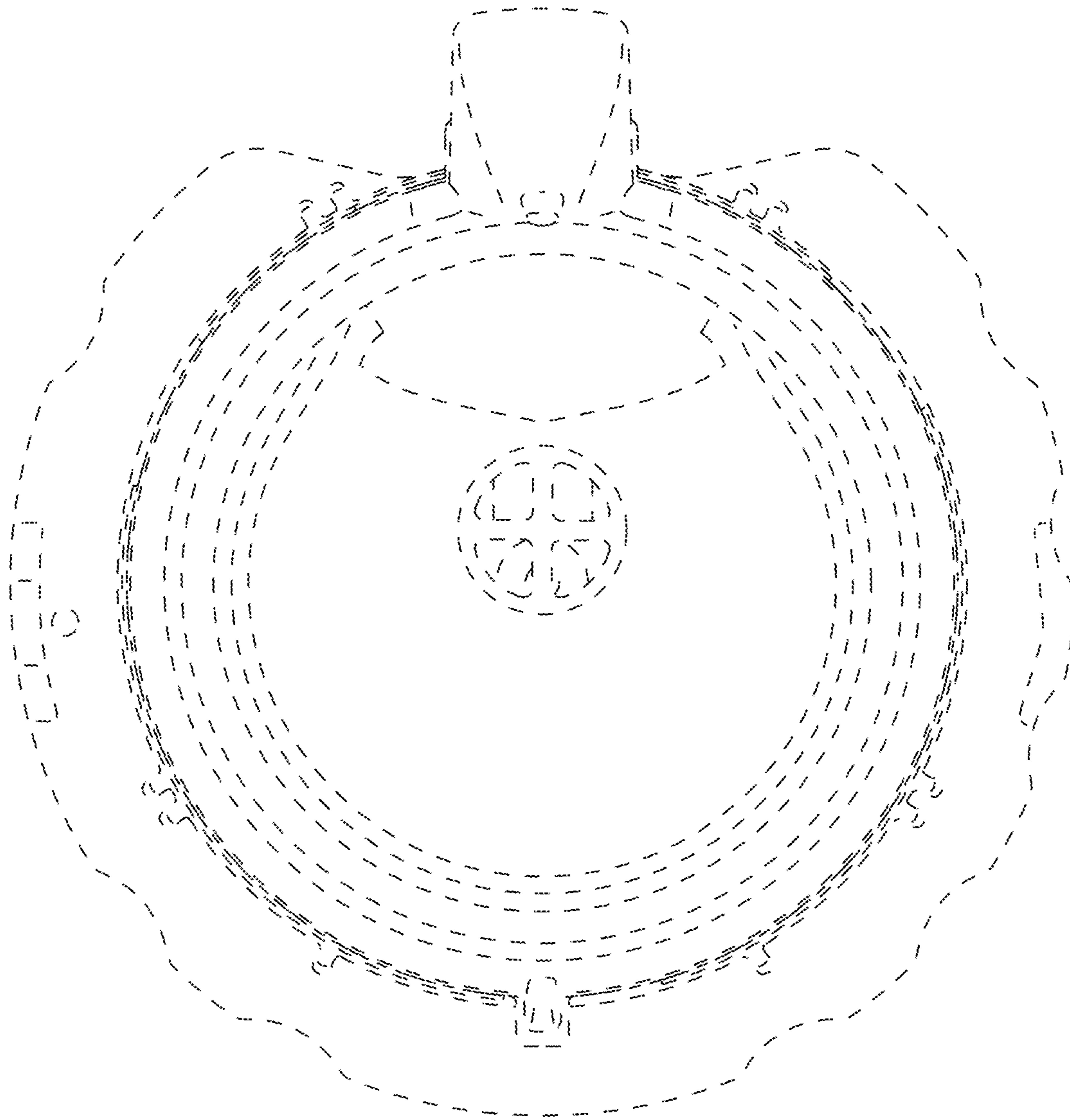


FIG. 7