



US00D931045S

(12) **United States Design Patent** (10) **Patent No.:** **US D931,045 S**
Sasena et al. (45) **Date of Patent:** **** Sep. 21, 2021**

(54) **BEVERAGE CARTRIDGE**

D356,008 S * 3/1995 Reiger D7/388
D457,388 S * 5/2002 Milroy D7/213
D474,997 S * 5/2003 Berzack D11/222

(71) Applicant: **Keurig Green Mountain, Inc.**,
Burlington, MA (US)

(Continued)

(72) Inventors: **Robert John Sasena**, Acton, MA (US);
Elaine Marie Duffy, Arlington, MA
(US); **Kin Chung Choi**, Hong Kong
(CN)

FOREIGN PATENT DOCUMENTS

CN 104095543 10/2014

(73) Assignee: **Keurig Green Mountain, Inc.**,
Burlington, MA (US)

OTHER PUBLICATIONS

Keurig My K-Cup Universal Reusable K-Cup Pod Coffee Filter,
first available Oct. 16, 2017, Amazon, [online], [site visited Apr. 14,
2021], Available from internet URL: <https://www.amazon.com/Keurig-Universal-Reusable-Ground-Compatible/dp/B0737B6HGR>
(Year: 2017).*

(Continued)

(**) Term: **15 Years**

Primary Examiner — Mary Ann Calabrese
Assistant Examiner — Natalya M Rapundalo
(74) *Attorney, Agent, or Firm* — Wolf, Greenfield &
Sacks, P.C.

(21) Appl. No.: **29/711,717**

(22) Filed: **Nov. 1, 2019**

(51) **LOC (13) Cl.** **07-02**

(52) **U.S. Cl.**
USPC **D7/400**

(58) **Field of Classification Search**

USPC D7/300, 316, 387, 397, 399, 400, 401,
D7/500, 533, 536, 560–565, 584, 585,
D7/590, 600.1, 600.2, 600.4, 601, 602,
D7/607, 608, 619.1, 667, 700, 704;
D6/677, 677.5, 680, 682, 683.1; D8/354,
D8/382, 396; D9/416, 424, 425,
D9/427–429, 438, 443, 454, 500, 516,
D9/520; D19/90; D23/213, 259, 262;
D24/224; D3/306, 313
CPC .. A47J 31/00; A47J 31/02; A47J 31/06; A47J
31/0605; A47J 31/061; A47J 31/0636;
A47J 31/0642; A47J 31/0663; A47J
31/0668; A47J 31/0689; A47J 31/08;
A47J 31/20; A47J 31/44; A47J
2031/0694; B65D 85/8043; B65D
85/8046

See application file for complete search history.

(57) **CLAIM**

The ornamental design for a beverage cartridge, as shown
and described.

DESCRIPTION

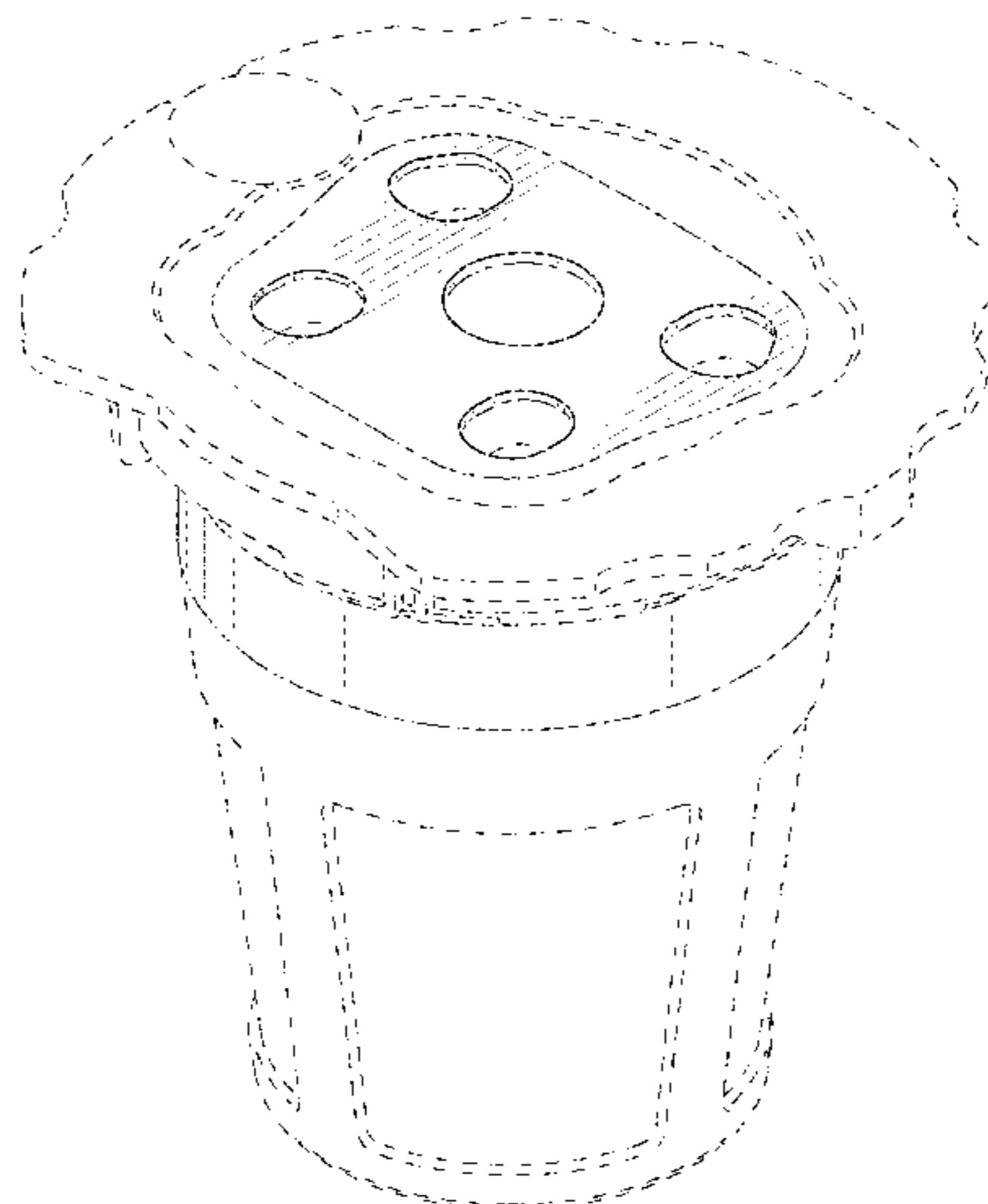
FIG. 1 is a top, front, and right side perspective view of a
beverage cartridge showing our new design;
FIG. 2 is a right side elevation view thereof;
FIG. 3 is a front elevation view thereof.
FIG. 4 is a left side elevation view thereof;
FIG. 5 if a rear elevation view thereof;
FIG. 6 is a top plan view thereof; and,
FIG. 7 is a bottom plan view thereof.
The dot-dash broken lines illustrate boundaries of the claim
and form no part of the claimed design. The dash-dash
broken lines illustrate portions of the beverage cartridge that
form no part of the claimed design.

(56) **References Cited**

U.S. PATENT DOCUMENTS

D32,223 S * 2/1900 Sutton D7/387
D255,313 S * 6/1980 Elkerbout D7/400

1 Claim, 7 Drawing Sheets



(56)

References Cited

U.S. PATENT DOCUMENTS

D571,623	S	*	6/2008	Loving	D7/608
D645,344	S	*	9/2011	Liebowitz	D9/435
D723,329	S	*	3/2015	Dakis	D7/400
D723,868	S	*	3/2015	Hertaus	D7/400
D747,139	S	*	1/2016	Rondelli	D7/400
D760,584	S	*	7/2016	Katz	D9/416
D764,226	S	*	8/2016	Ming	D7/400
D767,331	S	*	9/2016	Burrows	D7/400
D787,152	S	*	5/2017	Huthmaker	D1/128
D789,198	S	*	6/2017	Ngo	D9/443
D791,534	S	*	7/2017	Bueno	D7/400
D800,497	S	*	10/2017	Fedorak	D7/397
D804,946	S	*	12/2017	White	D9/447
D836,979	S	*	1/2019	Thomas	D7/400
D842,032	S	*	3/2019	Thomas	D7/400
D860,724	S	*	9/2019	Kassin	D7/400
D889,232	S	*	7/2020	Qin	D8/71
D892,276	S	*	8/2020	Meyers	D23/261
D896,626	S	*	9/2020	Buckley	D8/396
D900,593	S	*	11/2020	McKillips	D8/354
D910,371	S	*	2/2021	Zhang	D7/400

OTHER PUBLICATIONS

Keurig My K-Cup Universal Reusable Filter, first available Nov. 20, 2020, Amazon, [online], [site visited Apr. 14, 2021], Available from internet URL: <https://www.amazon.com/Keurig-Universal-Reusable-MultiStream-Technology/dp/B08DHC73P6> (Year: 2020).*

Design No. 306246844, Dec. 25, 2020—China National Intellectual Property Administration (CNIPA) Publication Date—Dec. 29, 2020 Owner—Keurig Green Mountain Inc., Designer—Luo Bote j sasaina et. al. WIPO, available at <https://www3.wipo.int/designdb/en/index.jsp> (Year: 2020).*

Design No. 306254022, Dec. 29, 2020—China National Intellectual Property Administration (CNIPA) Publication Date—Dec. 25, 2020 Owner—Keurig Green Mountain Inc., Designer—Luo Bote j sasaina et. al. WIPO, available at <https://www3.wipo.int/designdb/en/index.jsp> (Year: 2020).*

U.S. Appl. No. 29/711,752, filed Nov. 1, 2019, Sasena et al.

U.S. Appl. No. 29/711,754, filed Nov. 1, 2019, Sasena et al.

* cited by examiner

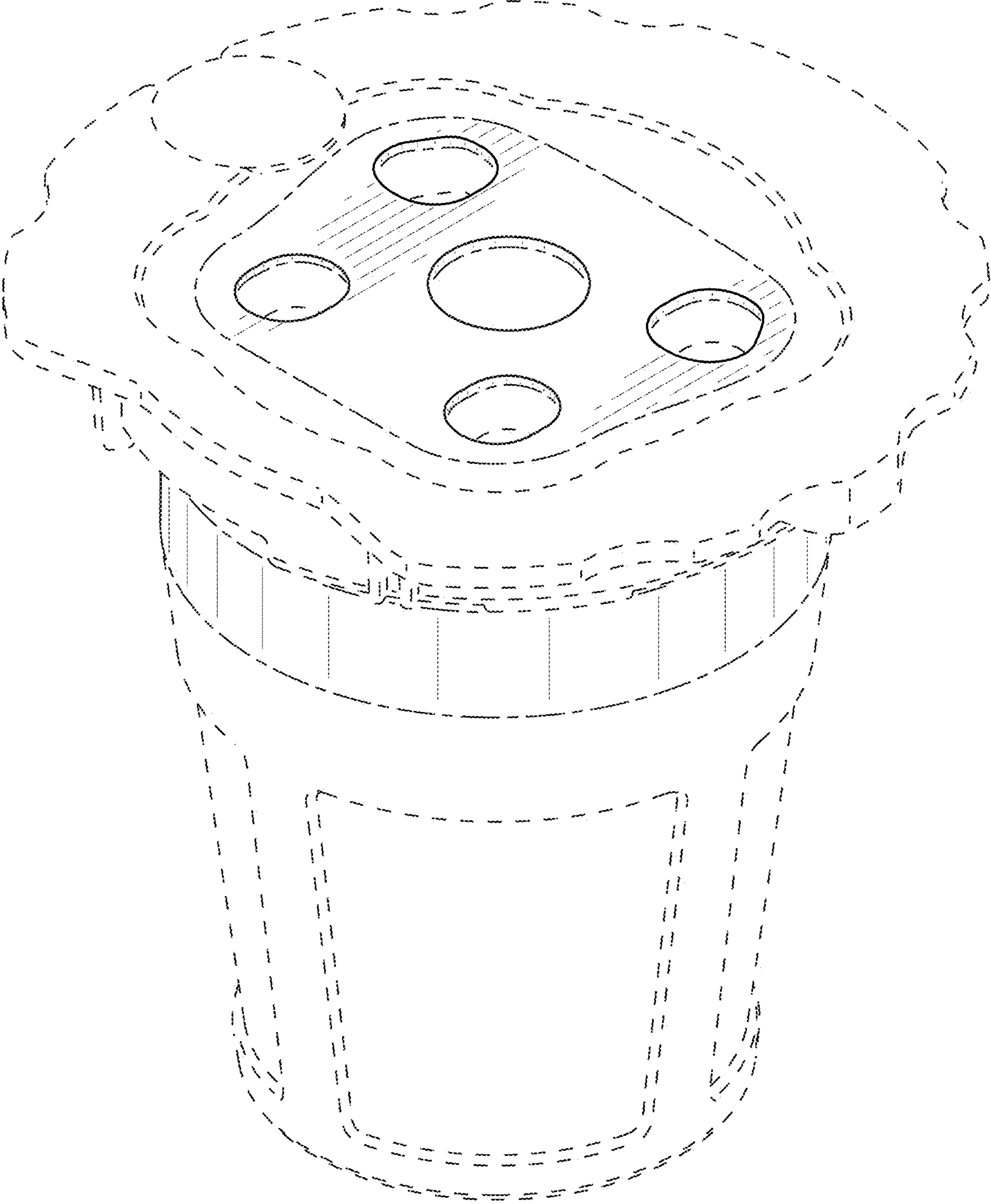


FIG. 1

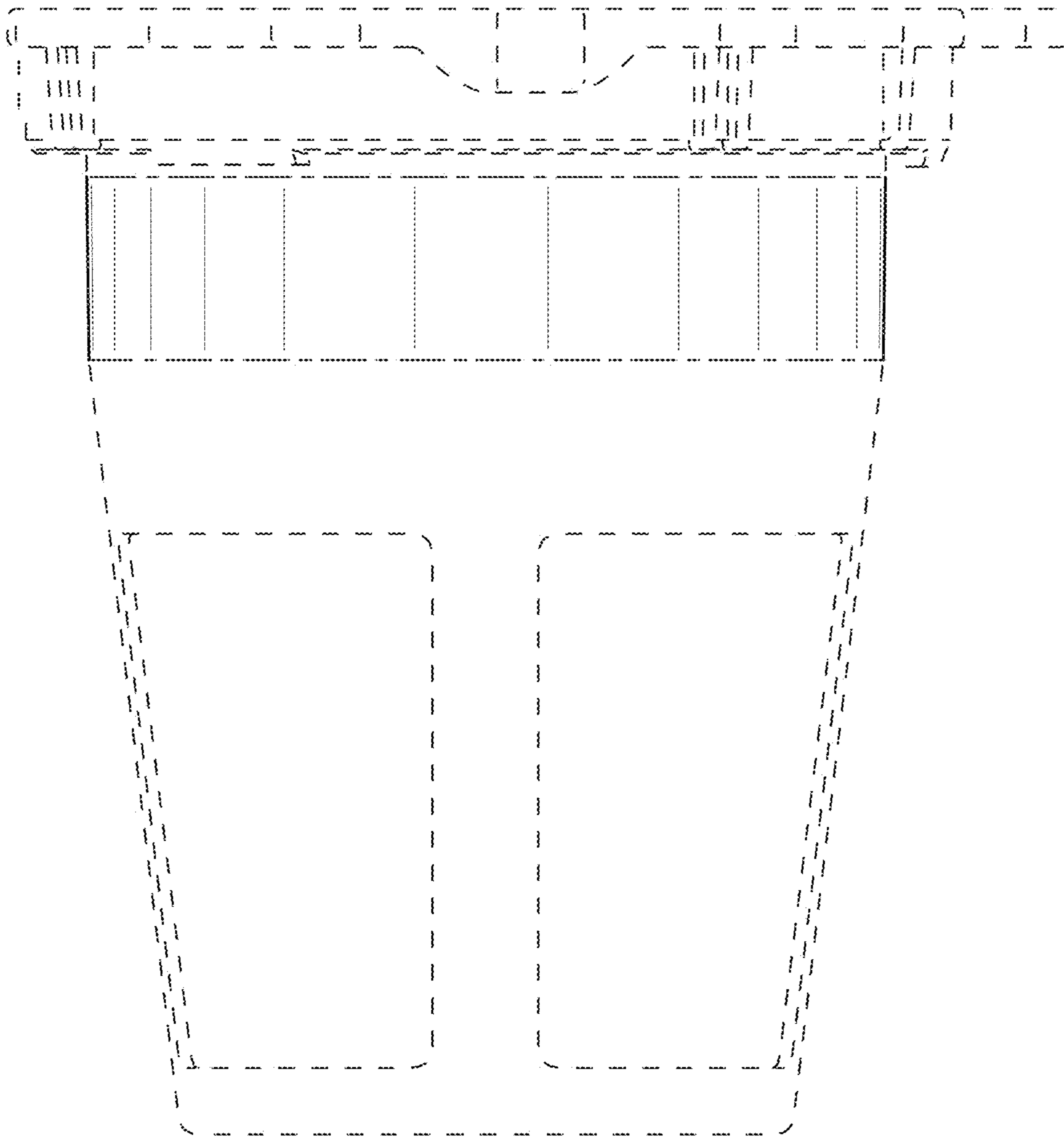


FIG. 2

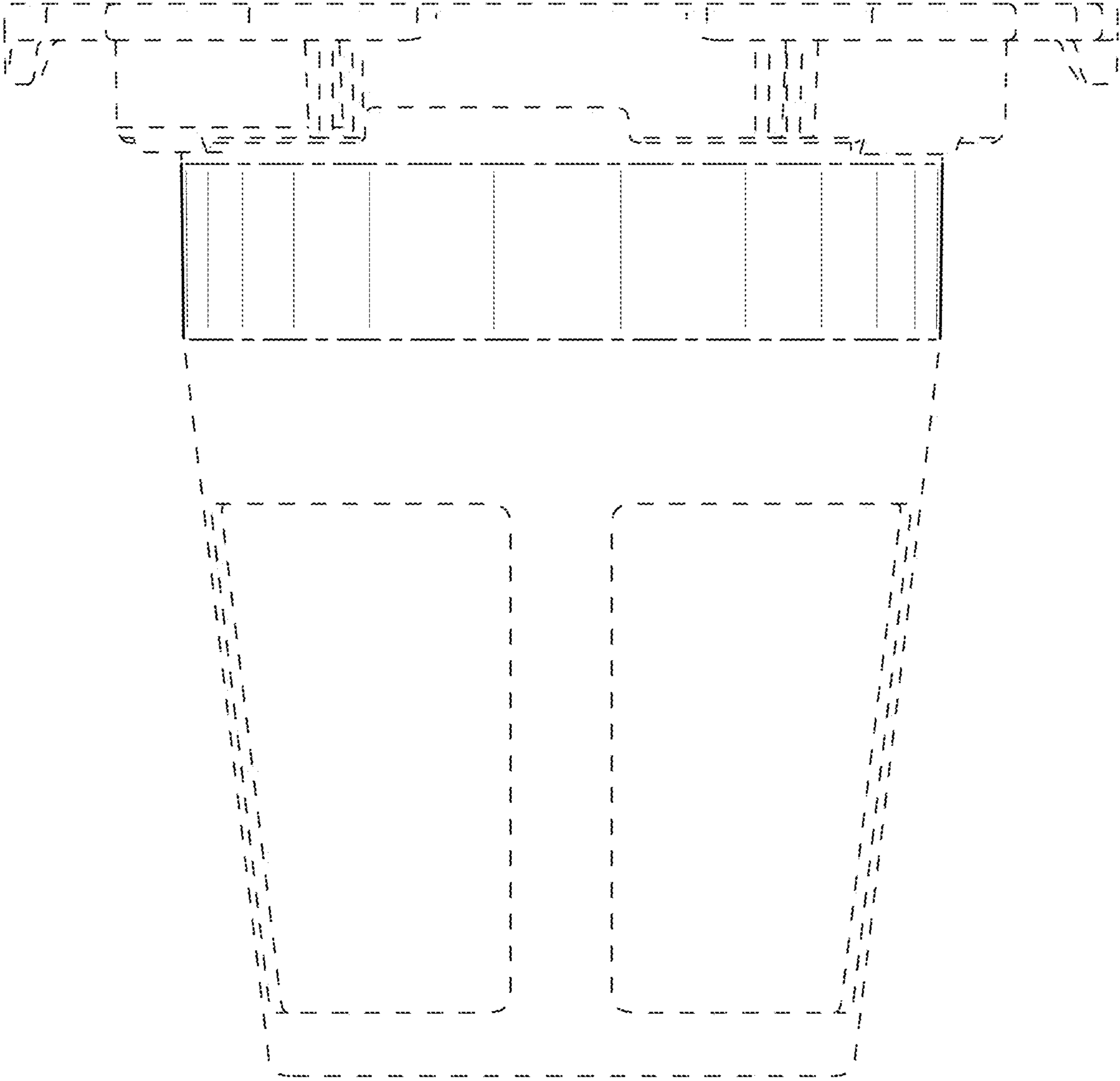


FIG. 3

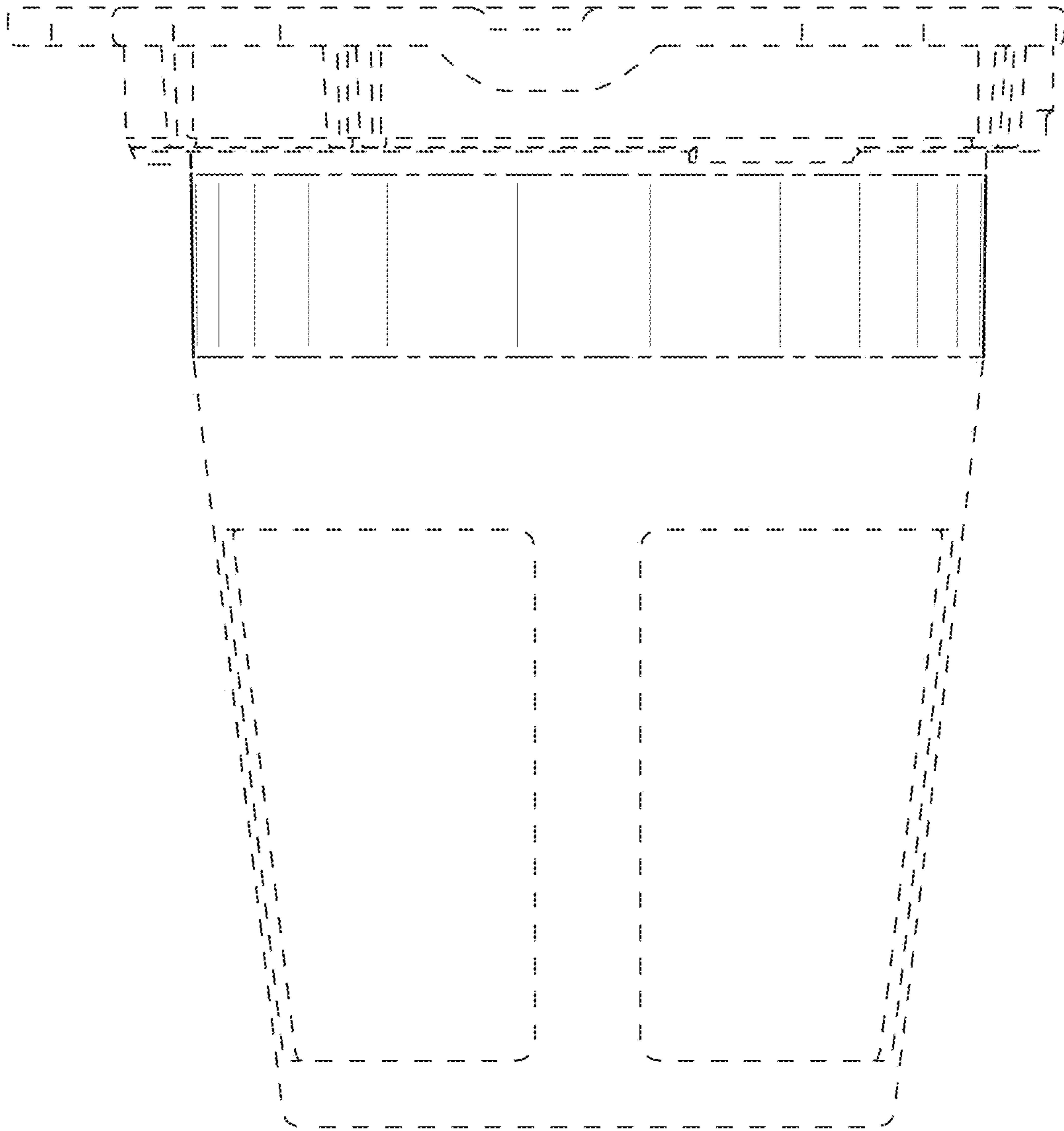


FIG. 4

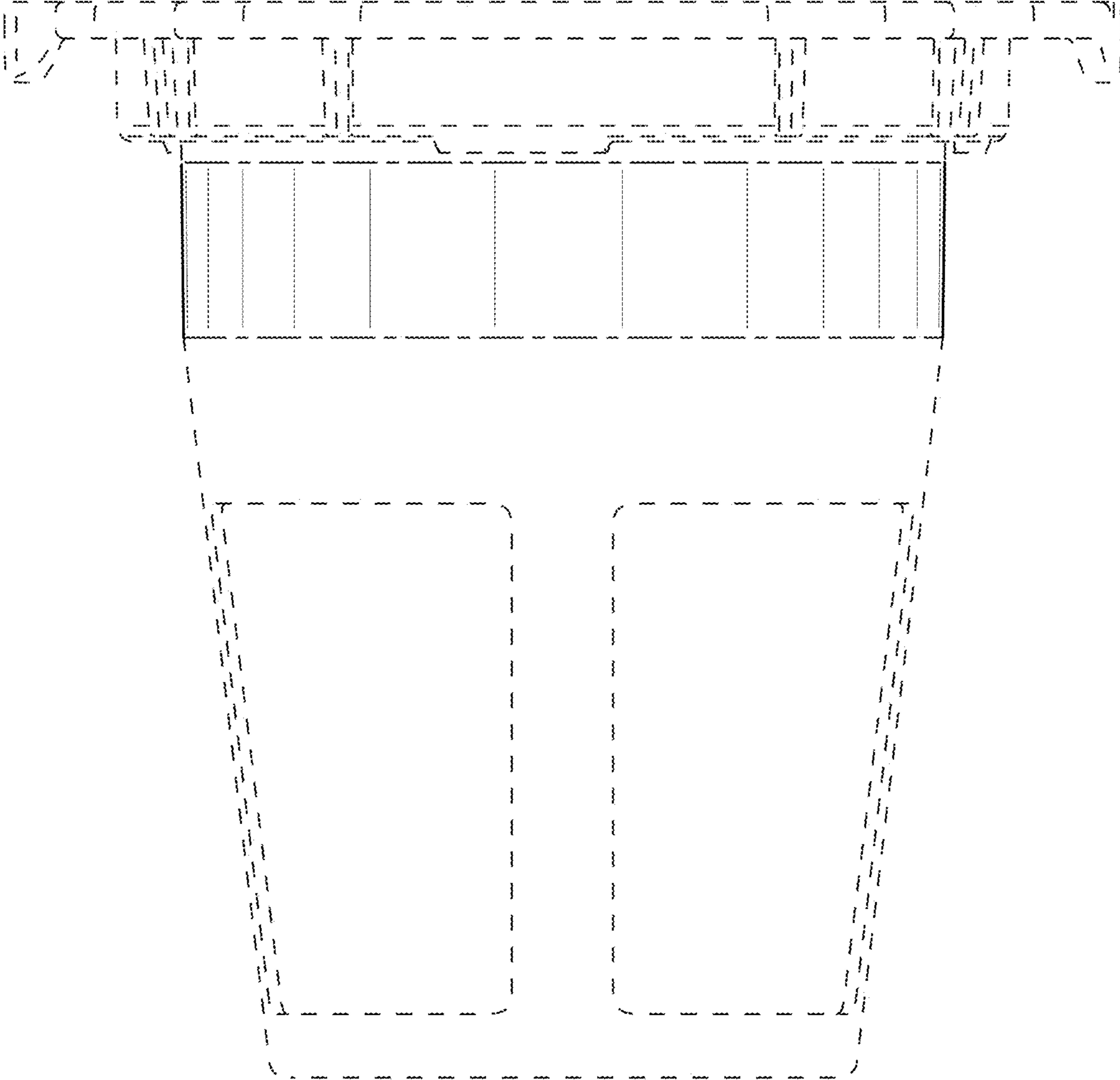


FIG. 5

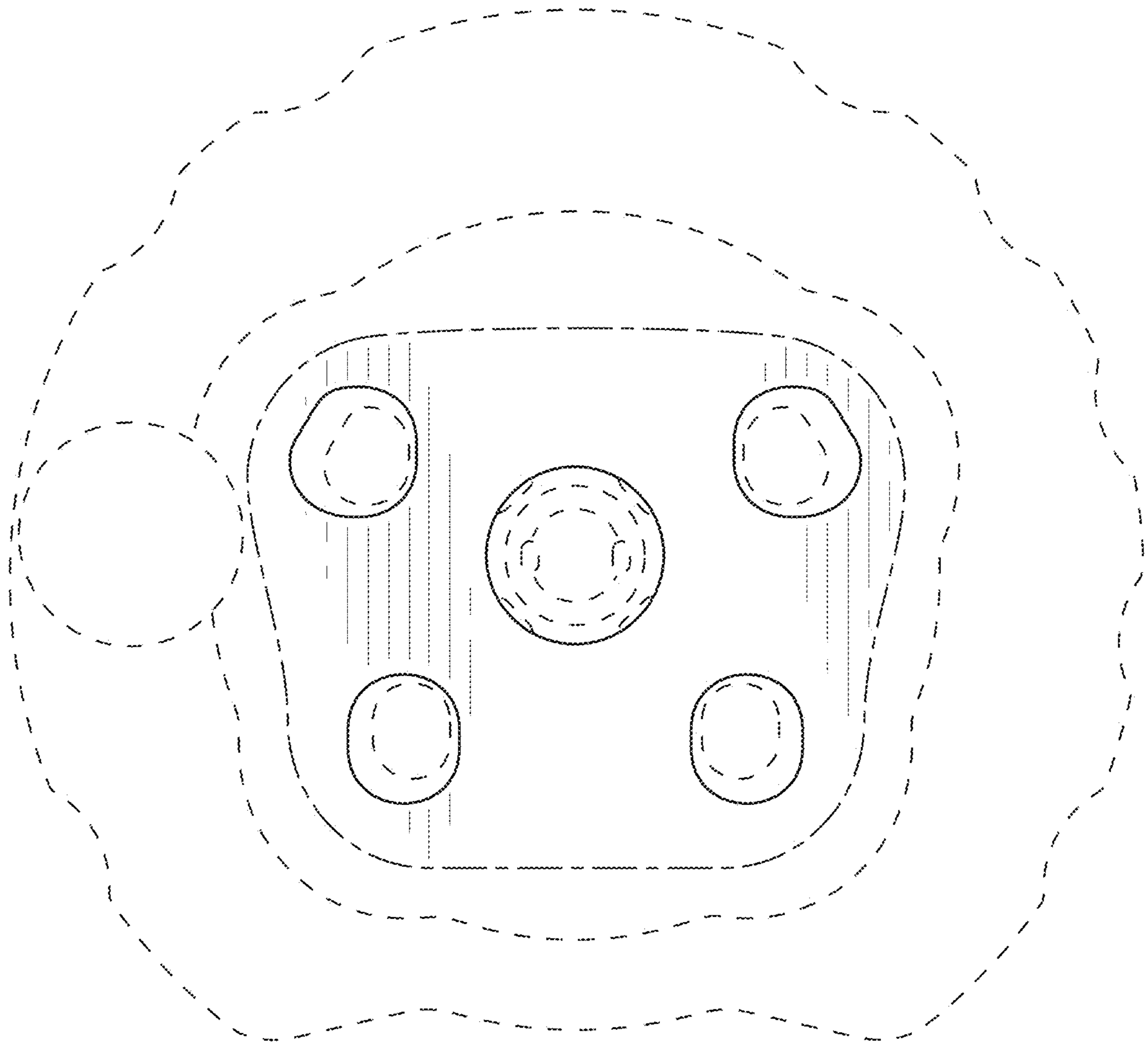


FIG. 6

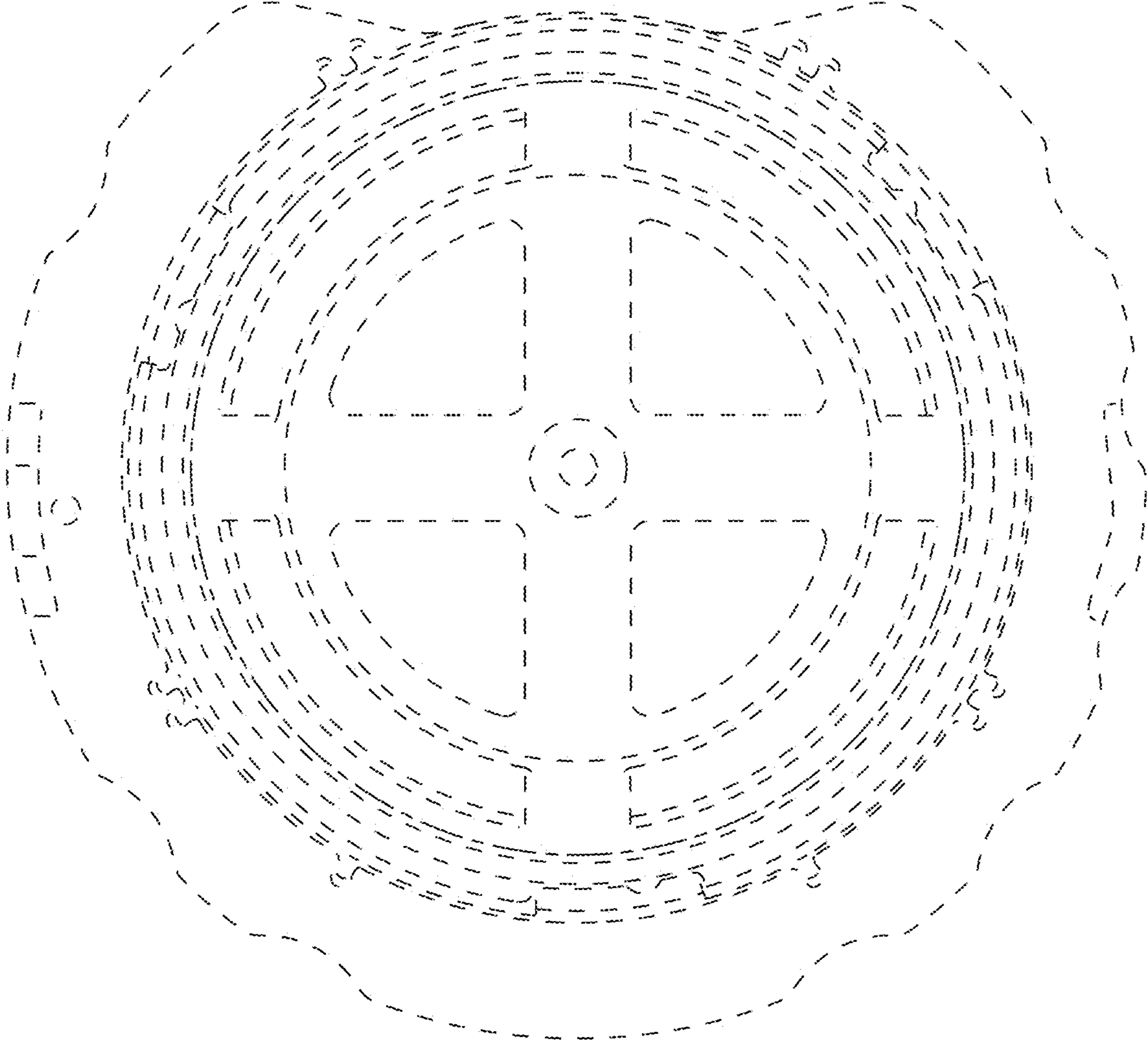


FIG. 7