



US00D931043S

(12) **United States Design Patent** (10) **Patent No.:** **US D931,043 S**  
**Huang** (45) **Date of Patent:** **\*\* Sep. 21, 2021**

(54) **BASE FOR CAKE STAND**  
(71) Applicant: **Hongye Huang**, Fujian (CN)  
(72) Inventor: **Hongye Huang**, Fujian (CN)  
(\*\*) Term: **15 Years**

D689,335 S \* 9/2013 Ludeman ..... D7/586  
D800,824 S \* 10/2017 Jacob ..... G03B 17/561  
D16/245  
D883,036 S \* 5/2020 Liao ..... D7/558  
2007/0062965 A1\* 3/2007 Anderson ..... B65D 85/36  
220/522

(21) Appl. No.: **29/752,295**  
(22) Filed: **Sep. 25, 2020**  
(51) **LOC (13) Cl.** ..... **07-99**  
(52) **U.S. Cl.**  
USPC ..... **D7/396.6**  
(58) **Field of Classification Search**  
USPC ..... D7/554.1, 554.2, 554.4, 558, 560, 565,  
D7/584, 585, 586, 588, 602, 610, 396.1,  
D7/396.6; D6/708, 708.1, 708.14;  
D9/424, 761  
CPC ..... A47G 2400/061; A47B 13/00; A47B  
13/023; A47B 91/005; A47B 13/14  
See application file for complete search history.

**OTHER PUBLICATIONS**

Garden Parasol Base | posted at Amazon.com, posted on May 10, 2020 © 1996-2021 Amazon.com, [online], [site visited Jul. 16, 2021]. Available from Internet, <URL:https://www.amazon.co.uk/garden-mile-Parasol-Umbrella-Decorative/dp/B091B23M26/> (Year: 2020).\*

\* cited by examiner

*Primary Examiner* — Michelle E. Wilson  
*Assistant Examiner* — Andrew Kerr  
(74) *Attorney, Agent, or Firm* — ScienBiziP, P.C.

(56) **References Cited**

**U.S. PATENT DOCUMENTS**

D415,025 S \* 10/1999 McCann ..... D7/562  
D460,897 S \* 7/2002 Leuenberger ..... D7/546  
D476,177 S 6/2003 Hennessey  
D493,307 S \* 7/2004 Lenger ..... D6/708.14  
D499,907 S 12/2004 Zarelius  
D579,274 S \* 10/2008 Bizzell ..... D7/550.1  
D596,892 S \* 7/2009 Vanderminden ..... D6/686  
D611,340 S \* 3/2010 Bizzell ..... D9/756  
D618,091 S \* 6/2010 Bizzell ..... D9/424  
7,871,653 B2\* 1/2011 Lin ..... A47G 19/02  
426/115  
D654,296 S \* 2/2012 Shook ..... D6/610  
D683,196 S \* 5/2013 Natkiel ..... D7/672  
D688,010 S \* 8/2013 DiOrio ..... D30/119

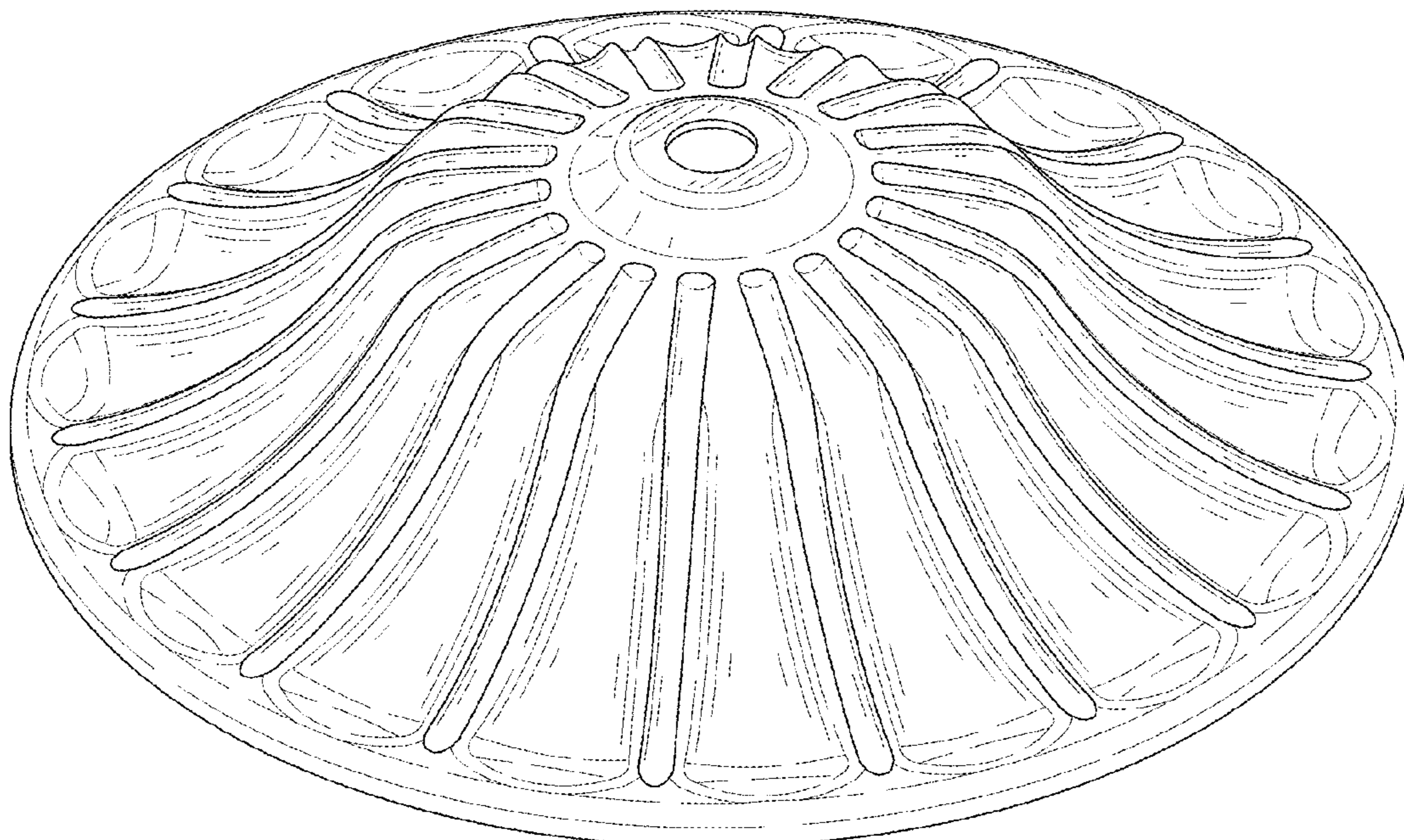
(57) **CLAIM**

The ornamental design for a base for cake stand, as shown and described.

**DESCRIPTION**

FIG. 1 is a top perspective view of a base for cake stand, showing my design.  
FIG. 2 is a bottom perspective view thereof.  
FIG. 3 is a front elevation view thereof.  
FIG. 4 is a rear elevation view thereof.  
FIG. 5 is a left side elevation view thereof.  
FIG. 6 is a right side elevation view thereof.  
FIG. 7 is a top plan view thereof; and,  
FIG. 8 is a bottom plan view thereof.

**1 Claim, 8 Drawing Sheets**



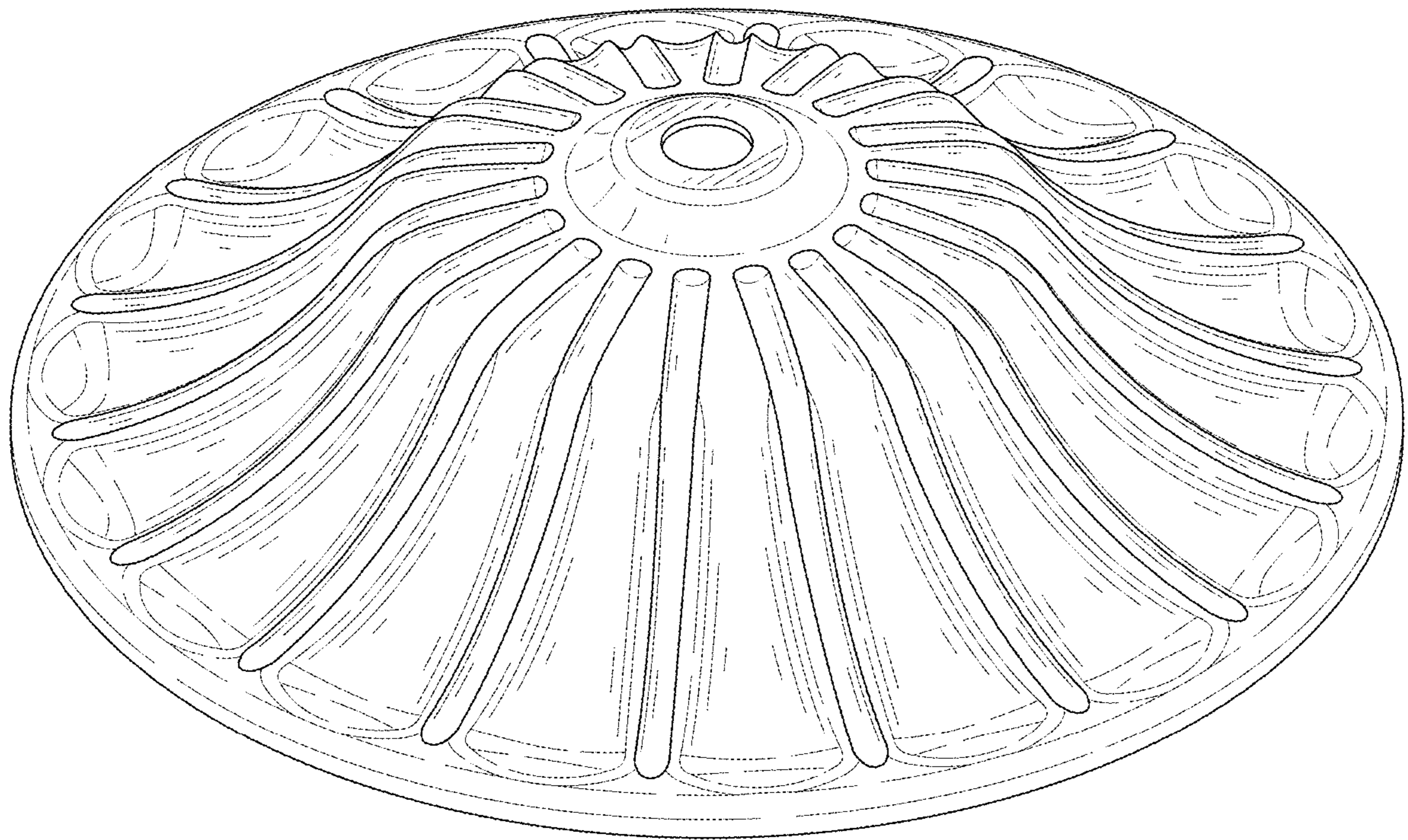


FIG. 1

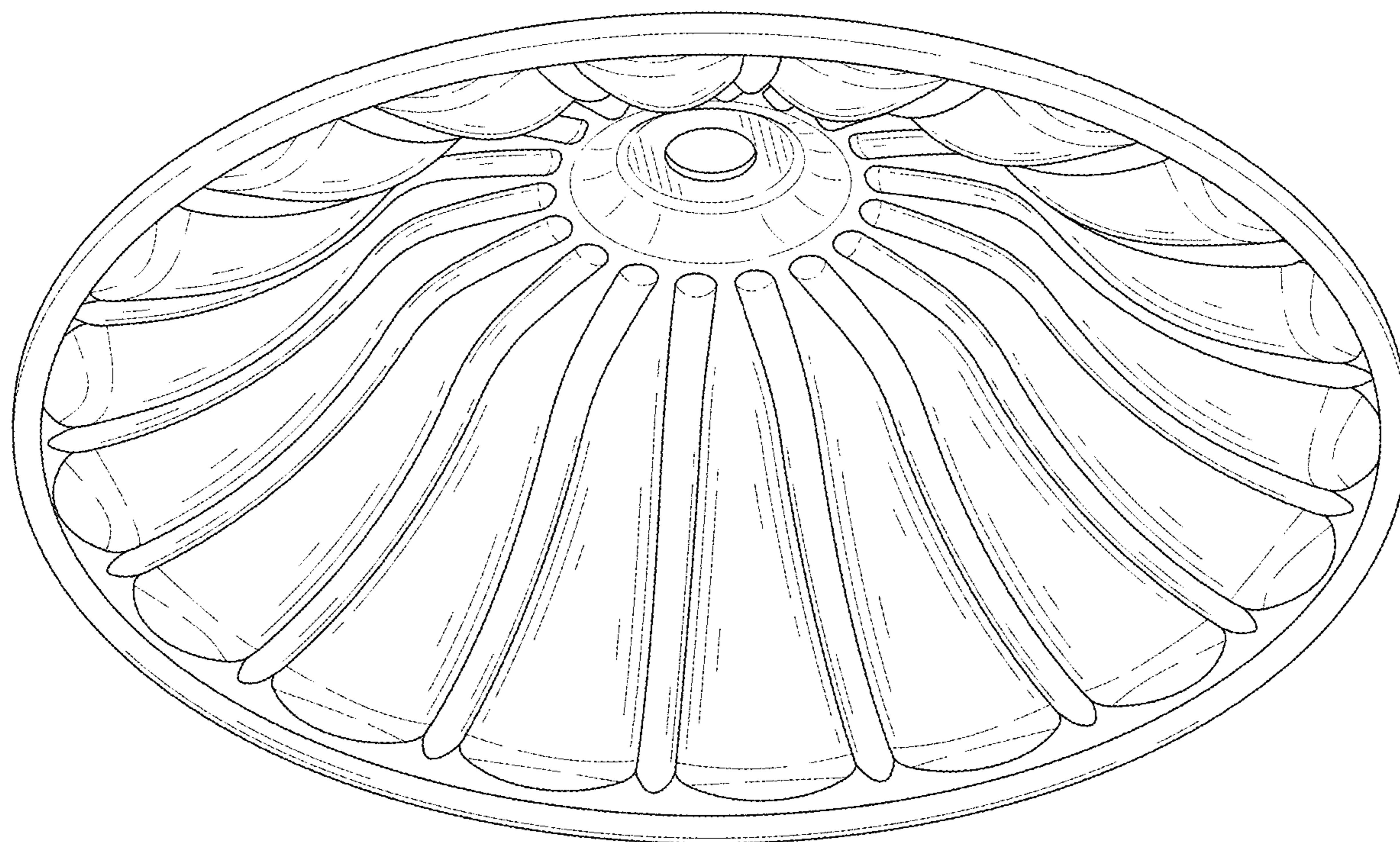


FIG. 2

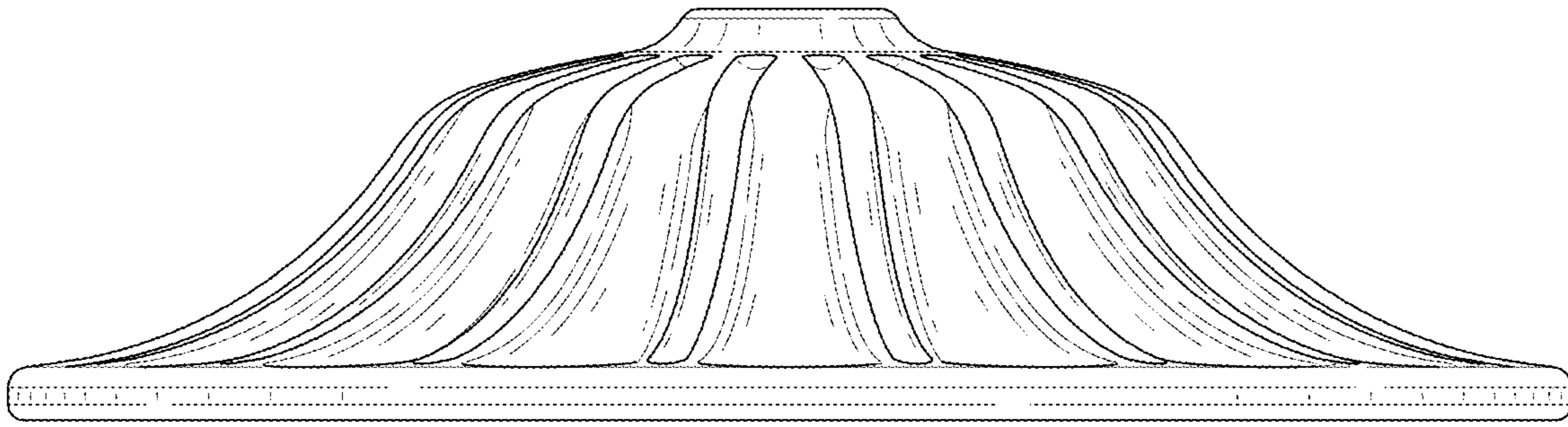


FIG. 3

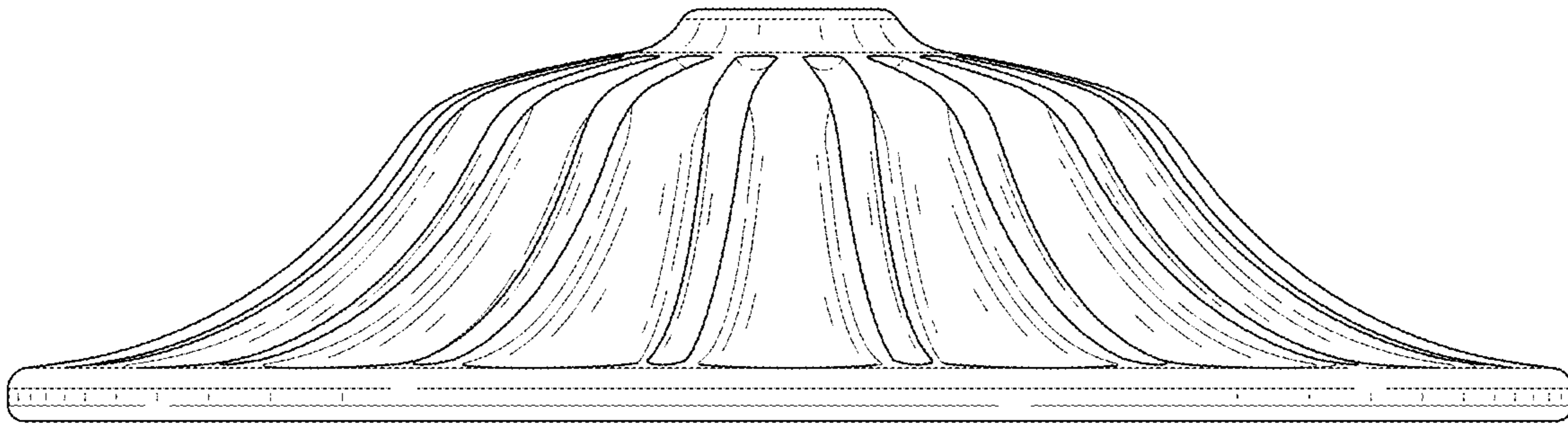


FIG. 4

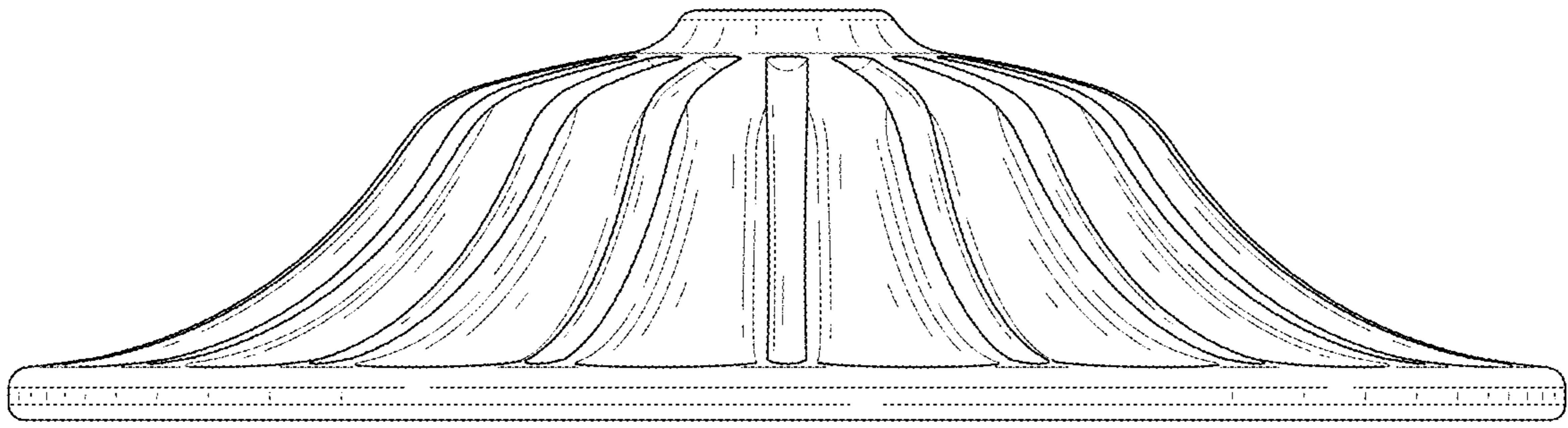


FIG. 5

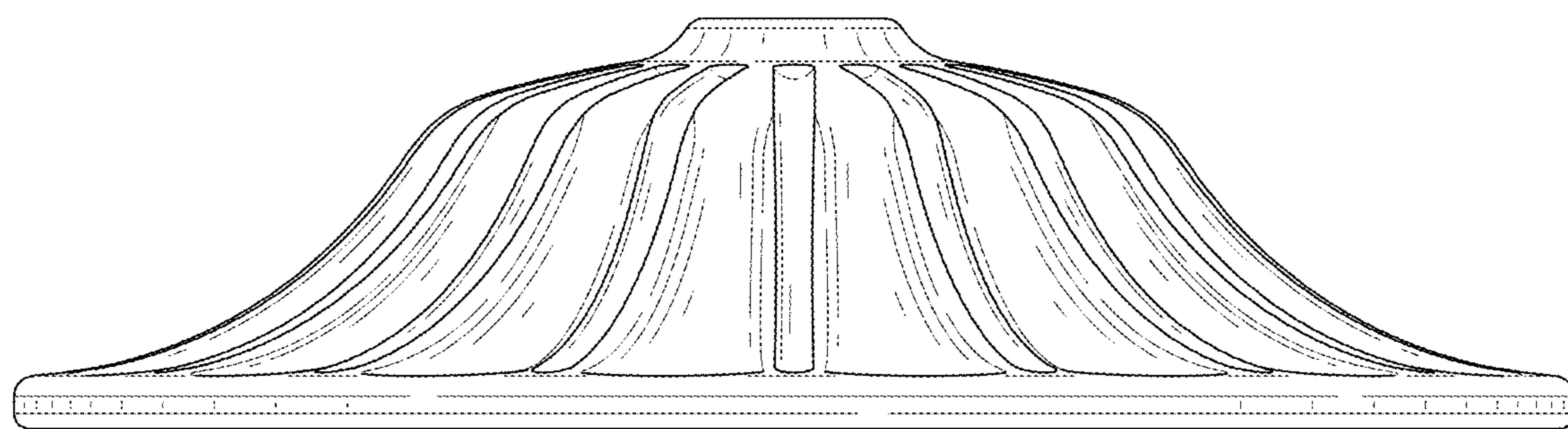


FIG. 6

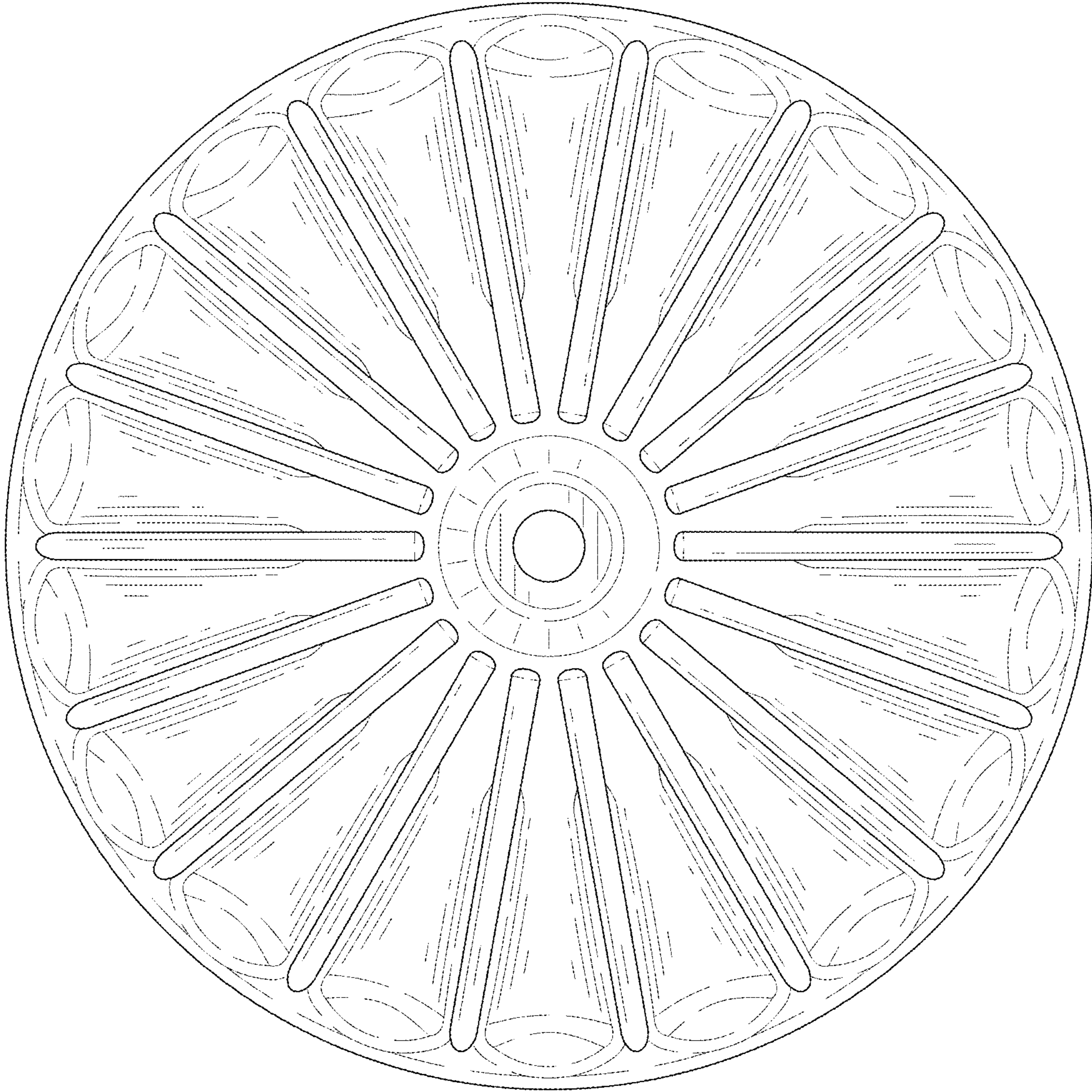


FIG. 7



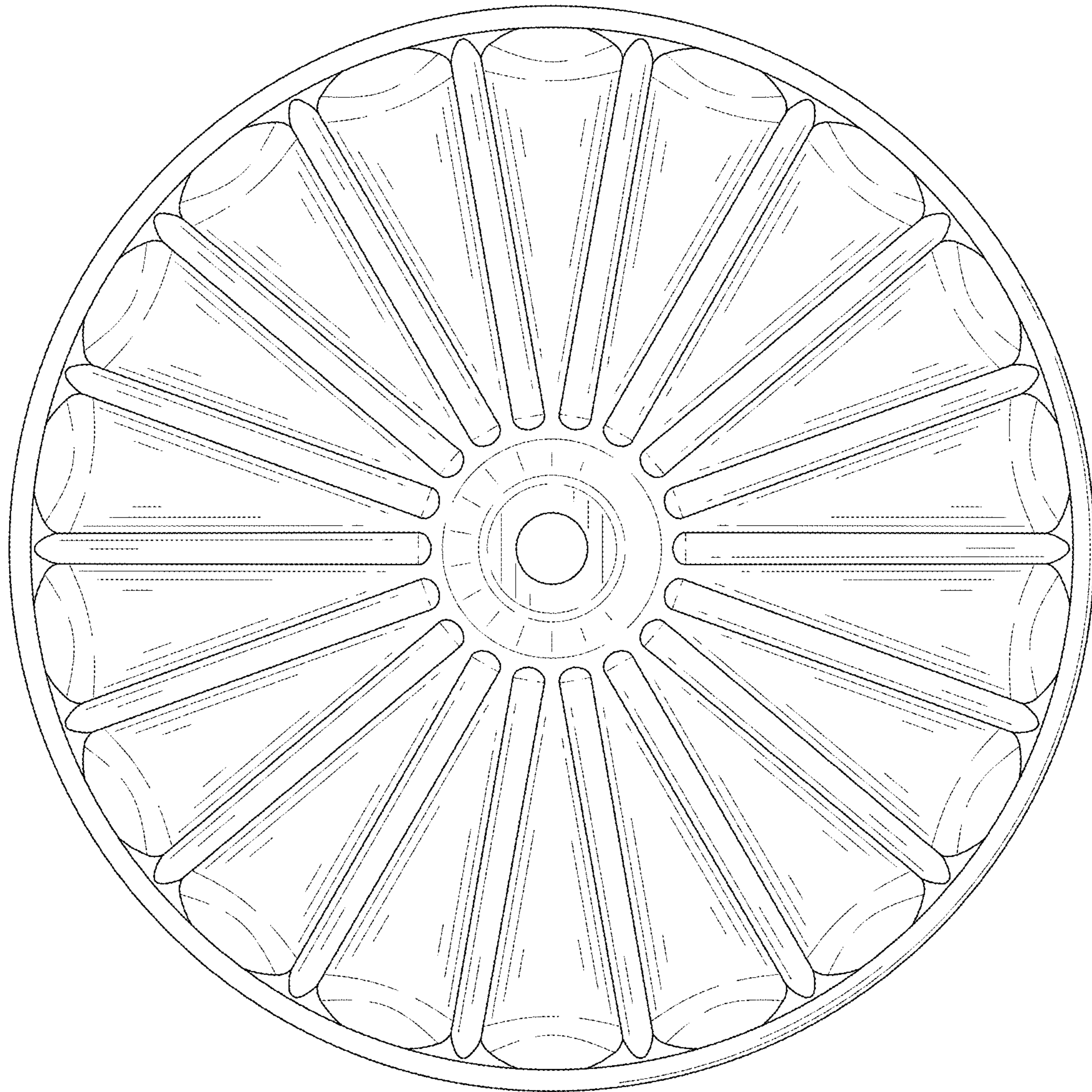


FIG. 8