



US00D931042S

(12) **United States Design Patent**
Burga et al.

(10) **Patent No.:** **US D931,042 S**

(45) **Date of Patent:** **** Sep. 21, 2021**

(54) **STRAW CAP**

(71) Applicant: **Helen of Troy Limited**, St. Michael (BB)

(72) Inventors: **Jeffrey Thomas Burga**, Bend, OR (US); **Benjamin Robert Hein**, Bend, OR (US); **Conor McNamara**, Montclair, NJ (US); **Justin William Taylor**, Bend, OR (US); **Jarett Alexander Volkoff**, Bend, OR (US)

(73) Assignee: **Helen of Troy Limited**, St. Michael (BB)

(**) Term: **15 Years**

(21) Appl. No.: **29/734,864**

(22) Filed: **May 15, 2020**

(51) **LOC (13) Cl.** **07-01**

(52) **U.S. Cl.**
USPC **D7/392.1; D7/396.2**

(58) **Field of Classification Search**
USPC D7/387, 392.1, 396.2, 393, 394, 397, D7/398, 510, 511, 213, 533, 536, 300.1; D9/435, 436, 439, 440, 449, 443, 450
CPC A47G 19/22; A47G 19/2211; A47G 19/2222; A45F 3/16; B65D 41/04
See application file for complete search history.

(56) **References Cited**

U.S. PATENT DOCUMENTS

D622,089 S	8/2010	Daniel et al.	
D786,012 S *	5/2017	Hein	D7/396.2
D848,839 S *	5/2019	Kravchenko	D9/443
D872,522 S *	1/2020	Diener	D7/392.1
D872,524 S *	1/2020	Bo	D7/392.1
D875,466 S *	2/2020	Diener	D7/396.2
D886,517 S *	6/2020	Bo	D7/392.1
D887,776 S *	6/2020	Bo	D7/392.1
D893,245 S *	8/2020	Zhang	D7/392.1
D894,671 S *	9/2020	Huang	D7/392.1

D899,848 S *	10/2020	Zhang	D7/392.1
D900,537 S *	11/2020	Yao	D7/392.1
D900,539 S *	11/2020	Yao	D7/392.1
D903,405 S *	12/2020	Zhang	D7/392.1
D904,109 S *	12/2020	Yao	D7/392.1
D906,042 S *	12/2020	Chen	D7/392.1
D908,487 S *	1/2021	Xia	D9/439
D911,099 S *	2/2021	Volkoff	D7/392.1
D911,100 S *	2/2021	Chen	D7/392.1

(Continued)

OTHER PUBLICATIONS

<https://www.hydroflask.com/wide-mouth-straw-lid>.

Primary Examiner — Jae Liang

(74) *Attorney, Agent, or Firm* — Rankin, Hill & Clark LLP

(57) **CLAIM**

The ornamental design for a straw cap, as shown and described.

DESCRIPTION

FIG. 1 is a top, right side perspective view of a new, original and ornamental design for a straw cap, a nozzle of the straw cap in a closed position and a strap of the straw cap in an upright position;

FIG. 2 is a front elevation of FIG. 1;

FIG. 3 is a rear elevation view of FIG. 1;

FIG. 4 is a left side elevation view of FIG. 1;

FIG. 5 is a right side elevation view of FIG. 1;

FIG. 6 is a top plan view of FIG. 1;

FIG. 7 is a bottom plan view of FIG. 1;

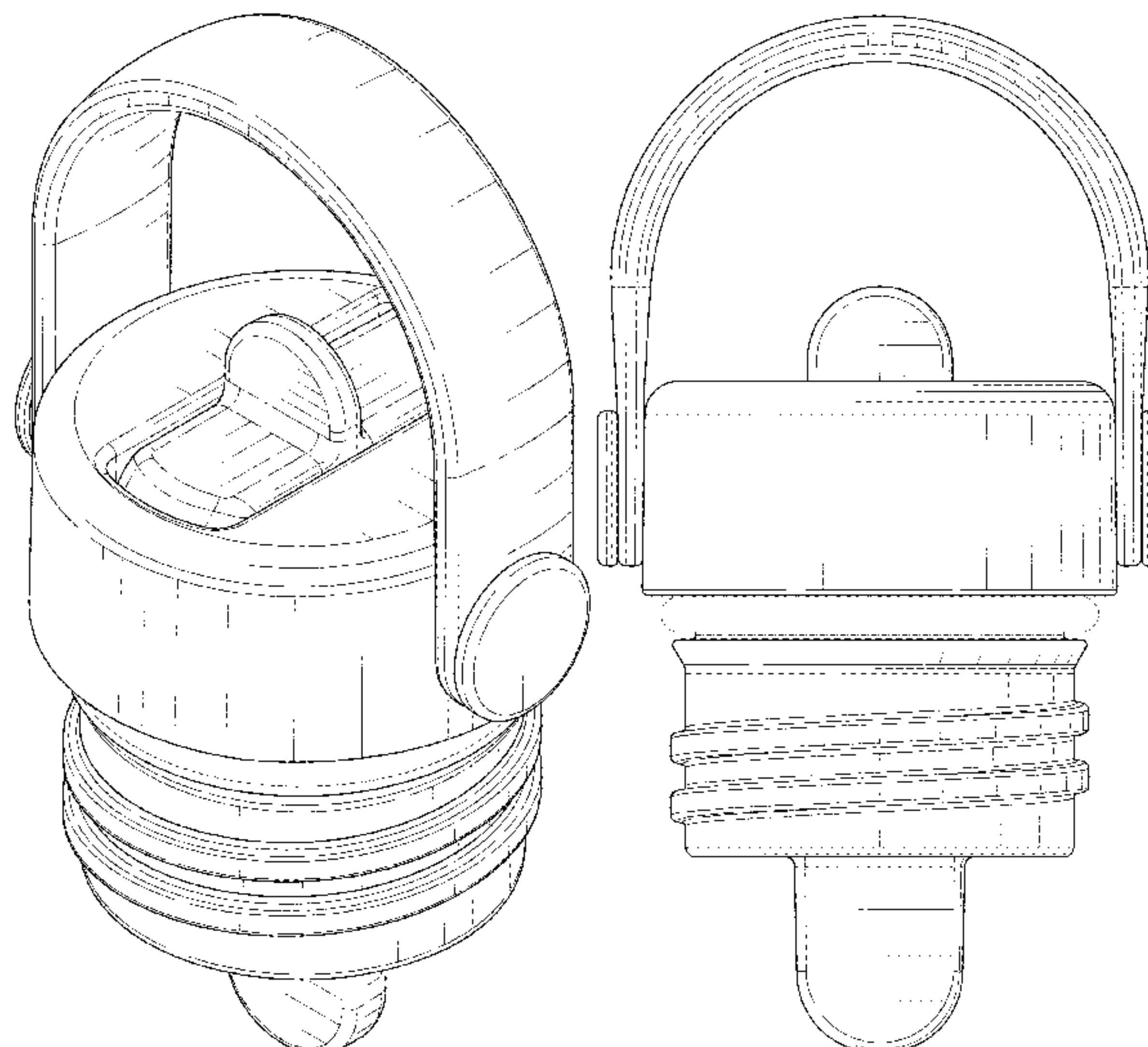
FIG. 8 is a top, right side perspective view of the straw cap, the nozzle of the straw cap in an open position and the strap of the straw cap in folded down position;

FIG. 9 is a top, left side perspective view of FIG. 8; and,

FIG. 10 is a top perspective view of FIG. 8.

The broken lines in the drawings depict portions of the straw cap that form no part of the claimed design.

1 Claim, 9 Drawing Sheets



(56)

References Cited

U.S. PATENT DOCUMENTS

D911,771	S	*	3/2021	Zhang	D7/392.1
D917,225	S	*	4/2021	Huang	D7/392.1
D917,959	S	*	5/2021	Yao	D7/392
D917,960	S	*	5/2021	Yao	D7/392
D922,819	S	*	6/2021	Wang	D7/392.1
D924,000	S	*	7/2021	Chen	D7/392.1

* cited by examiner

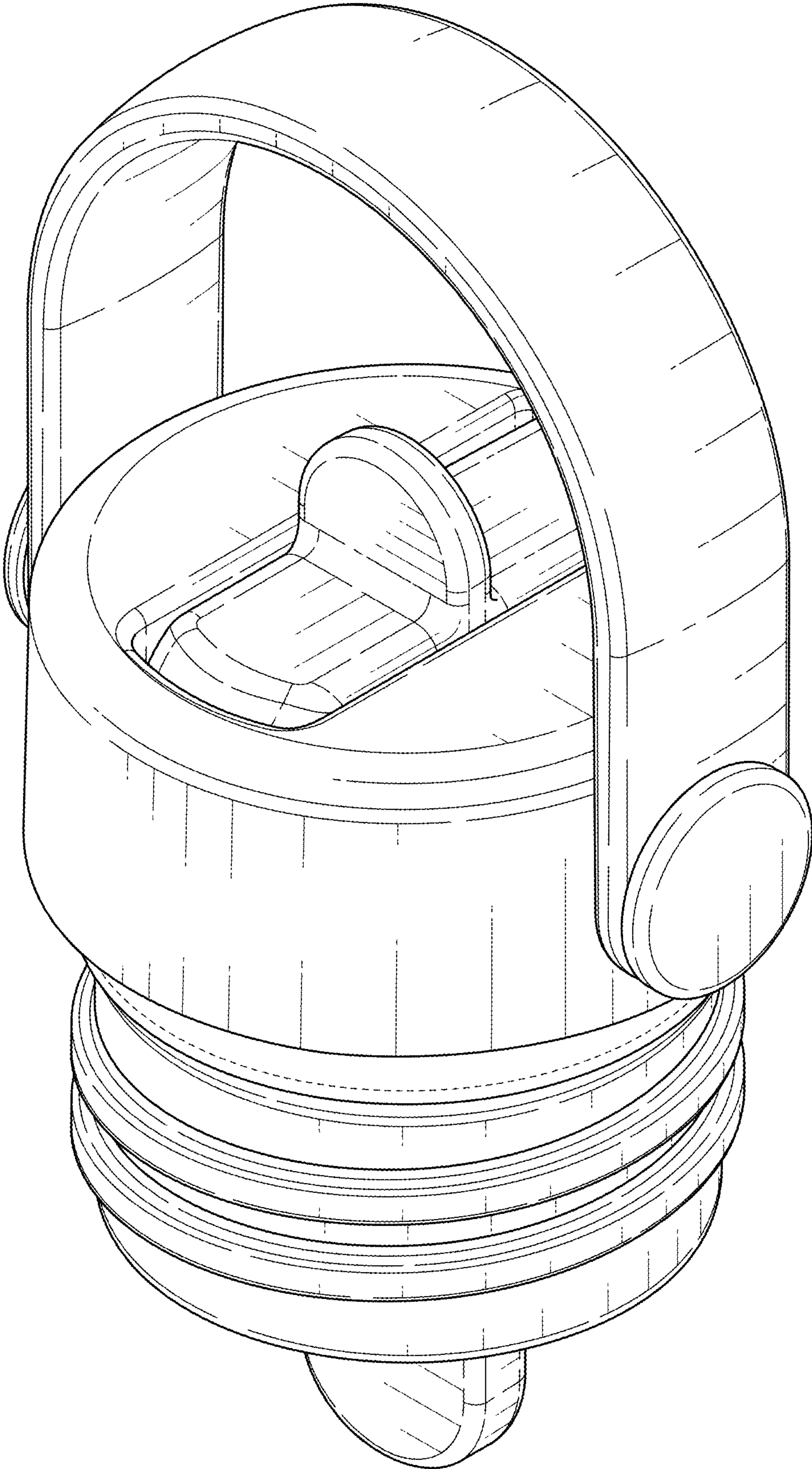


FIG. 1

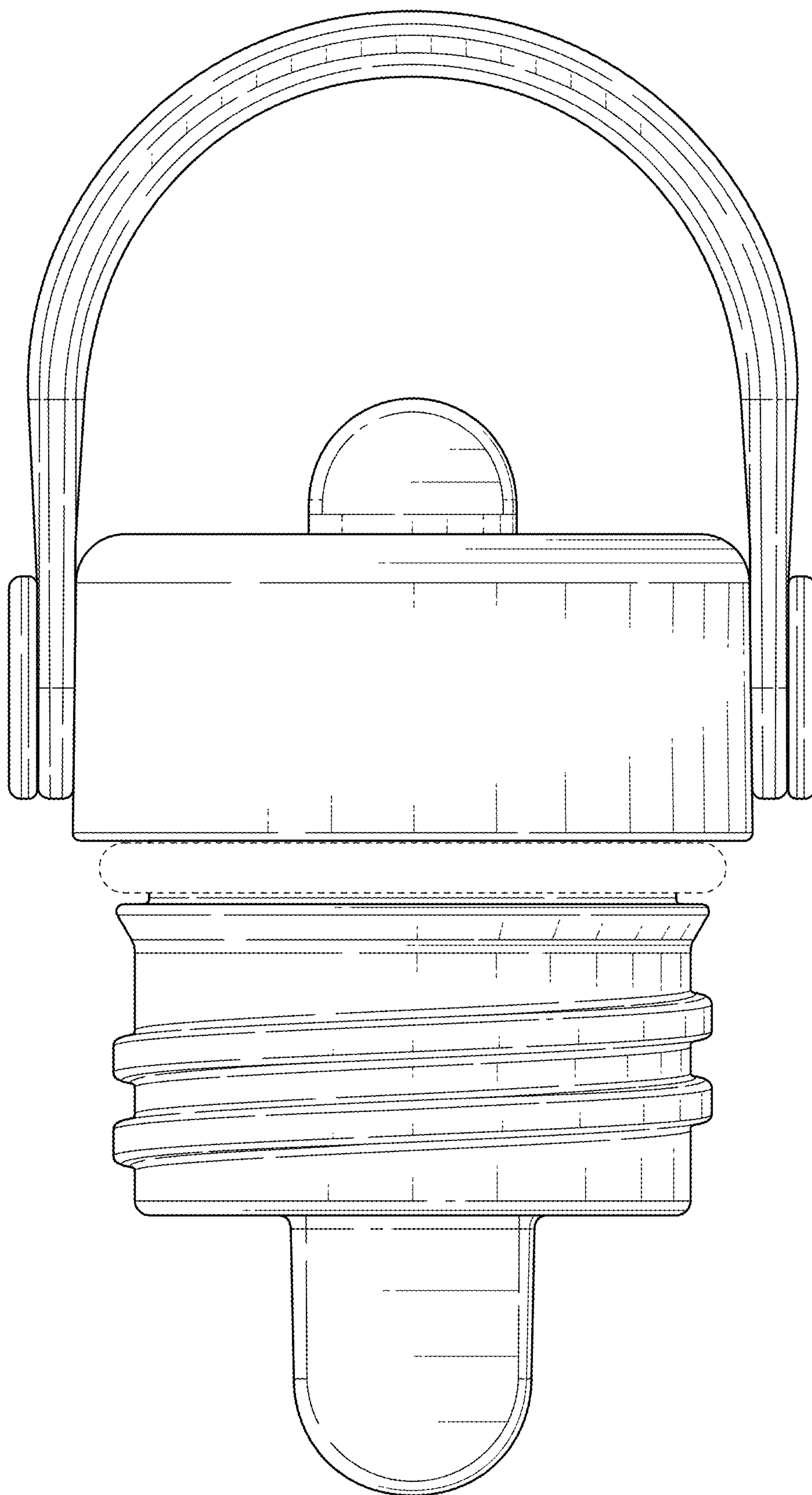


FIG. 2

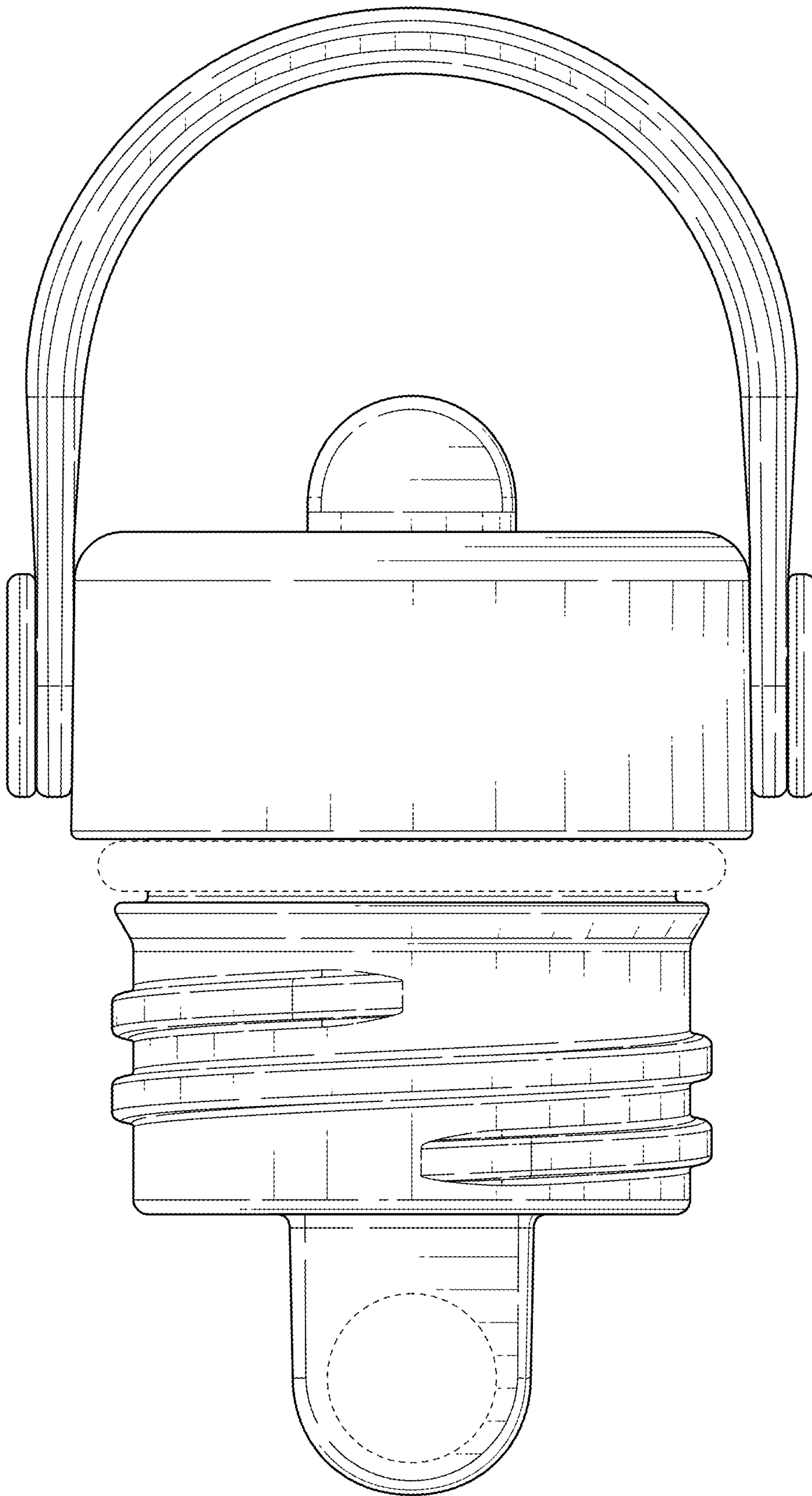


FIG. 3

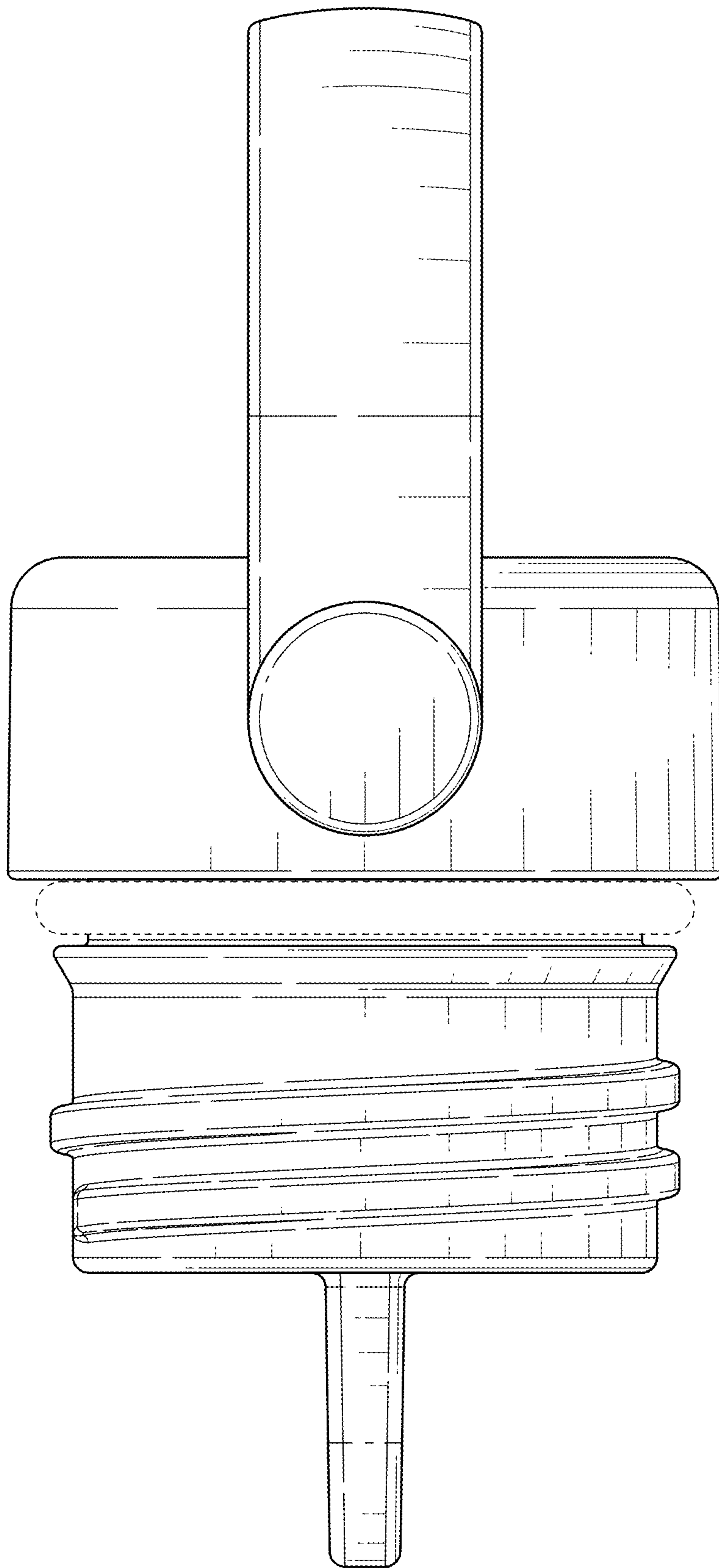


FIG. 4

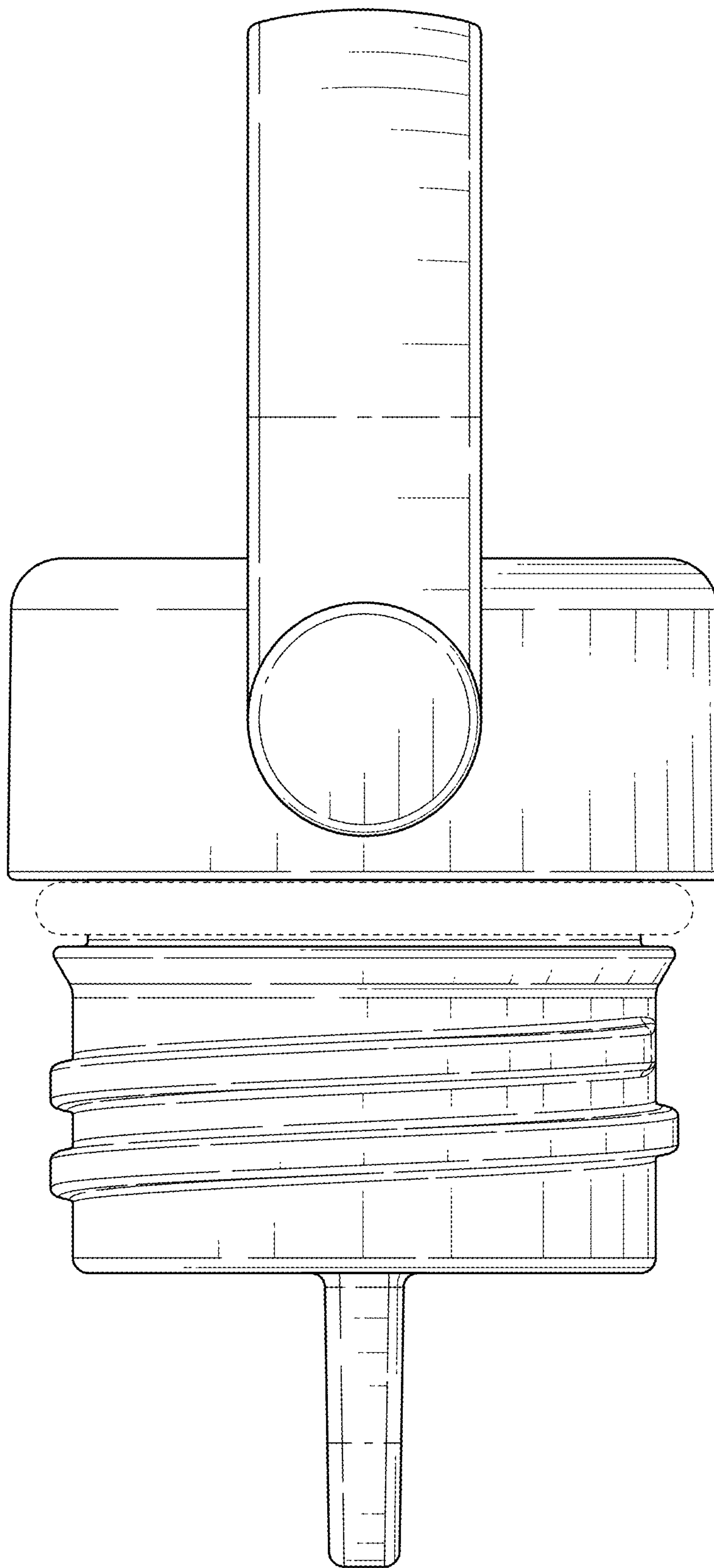


FIG. 5

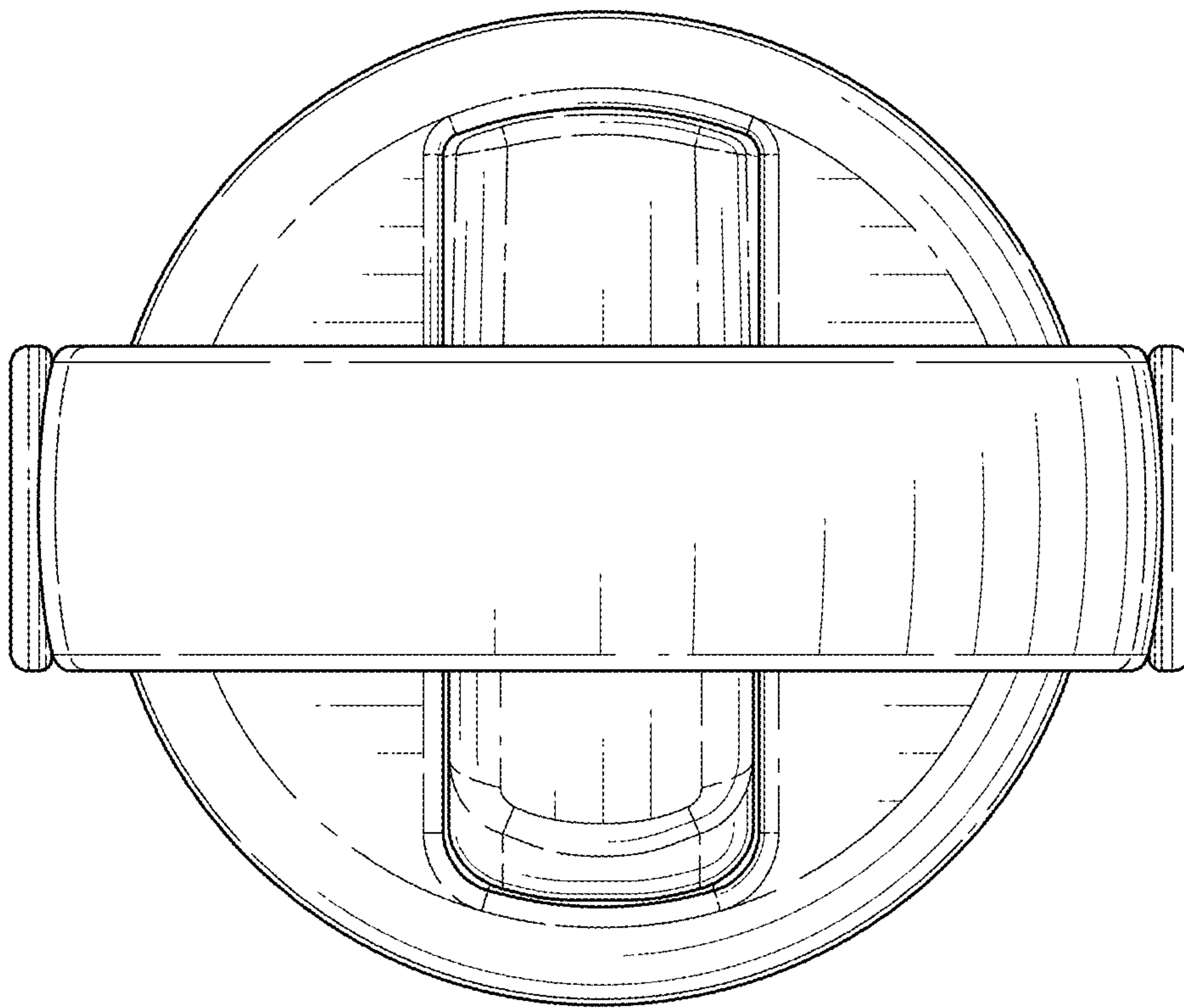


FIG. 6

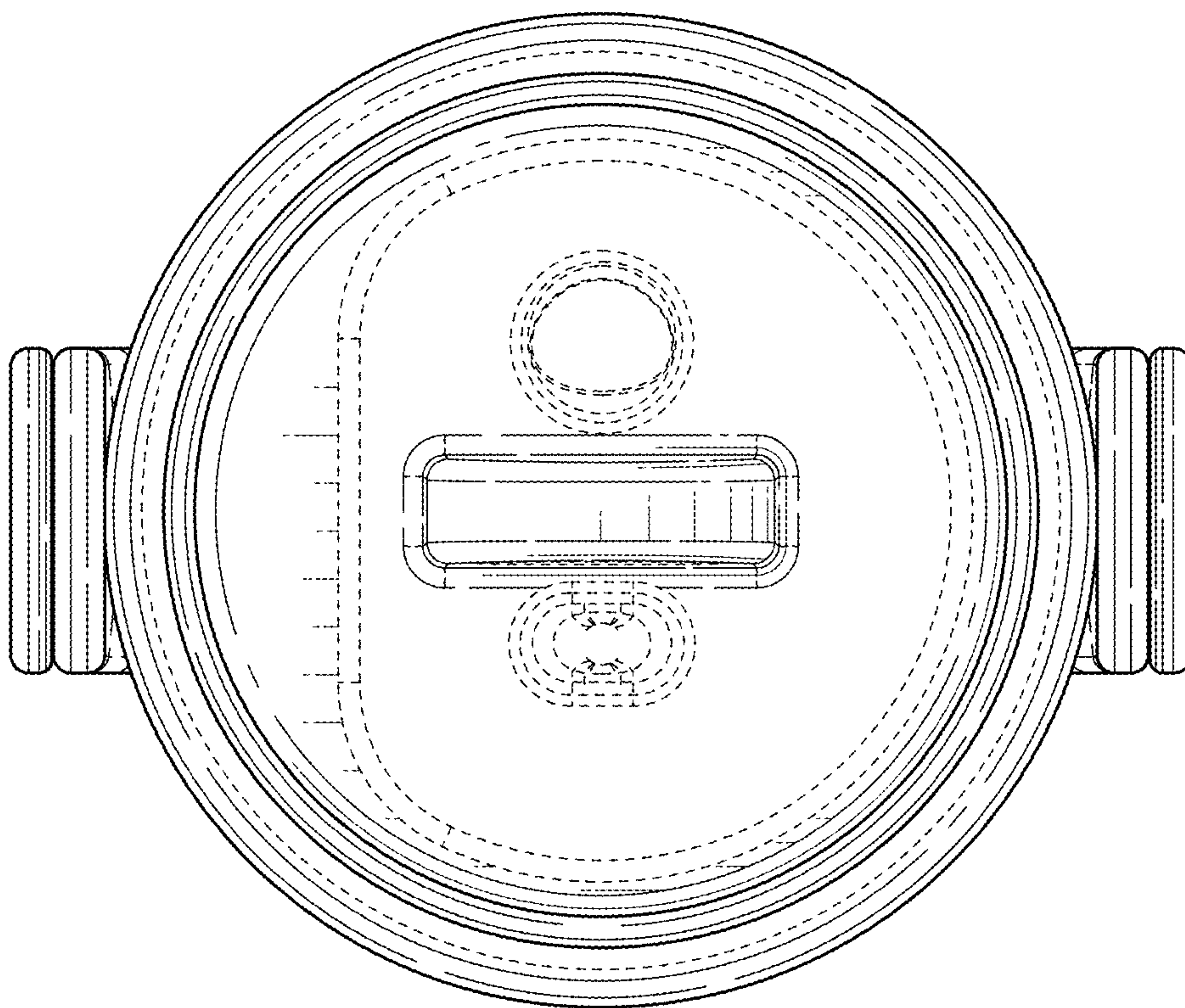


FIG. 7

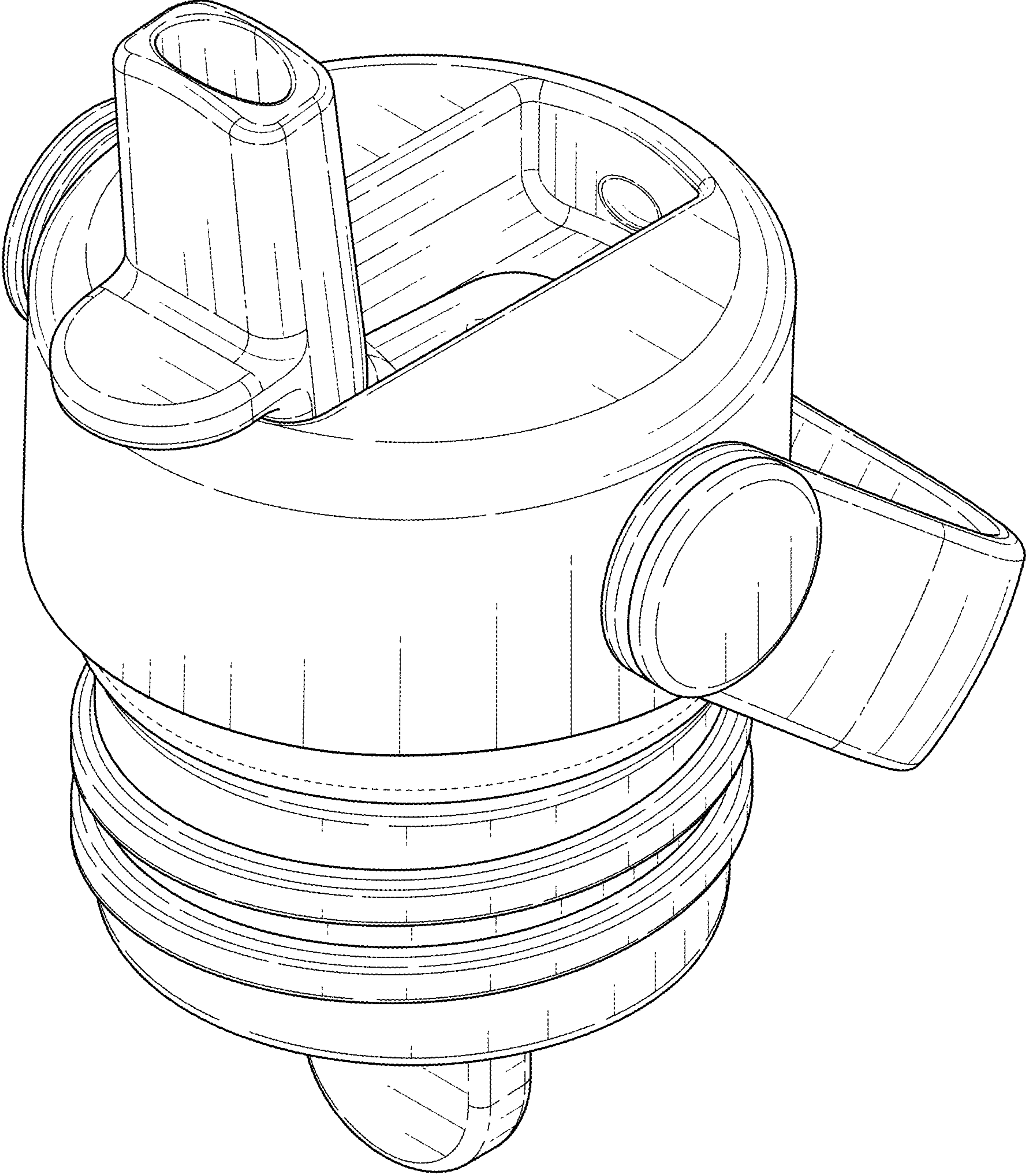


FIG. 8

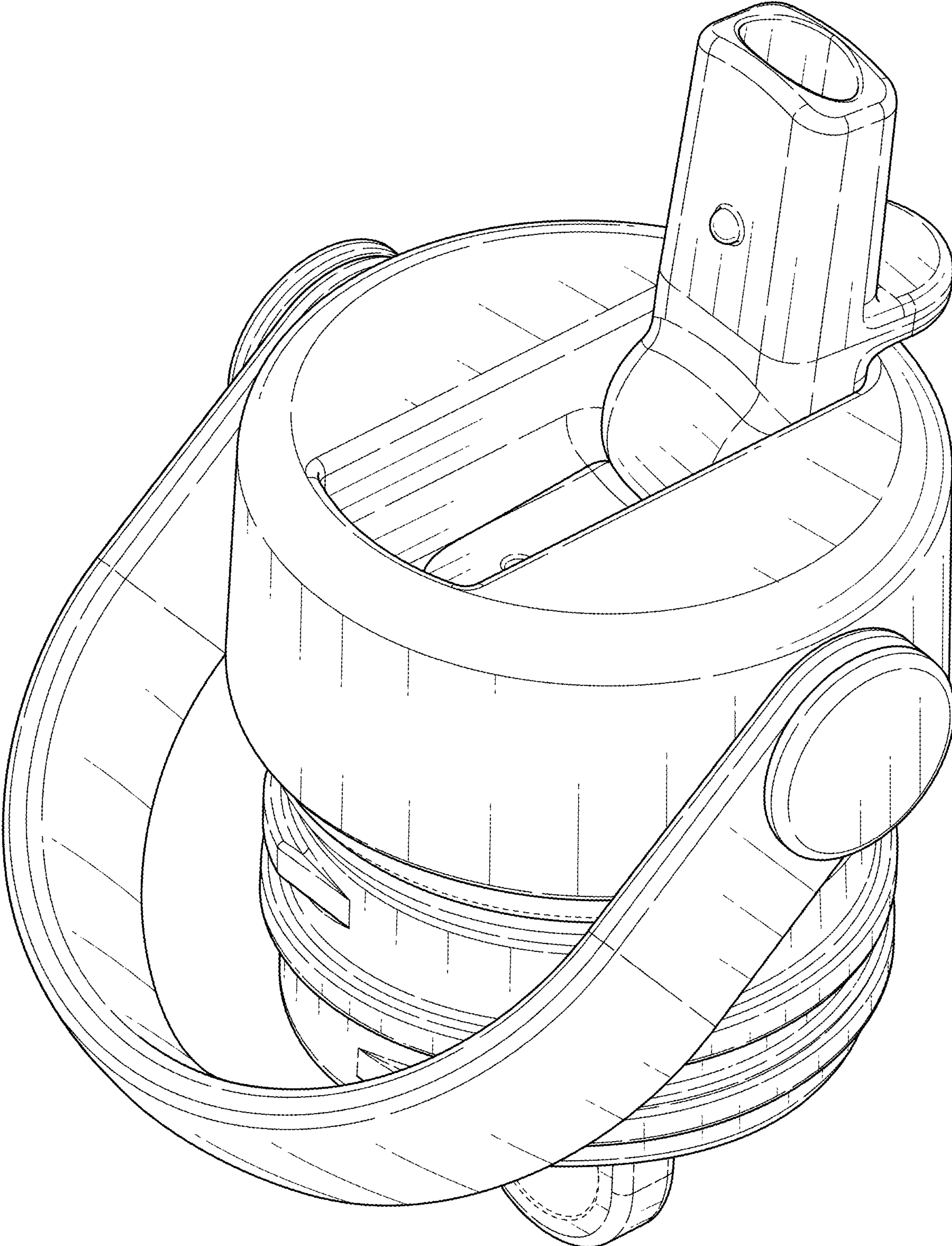


FIG. 9

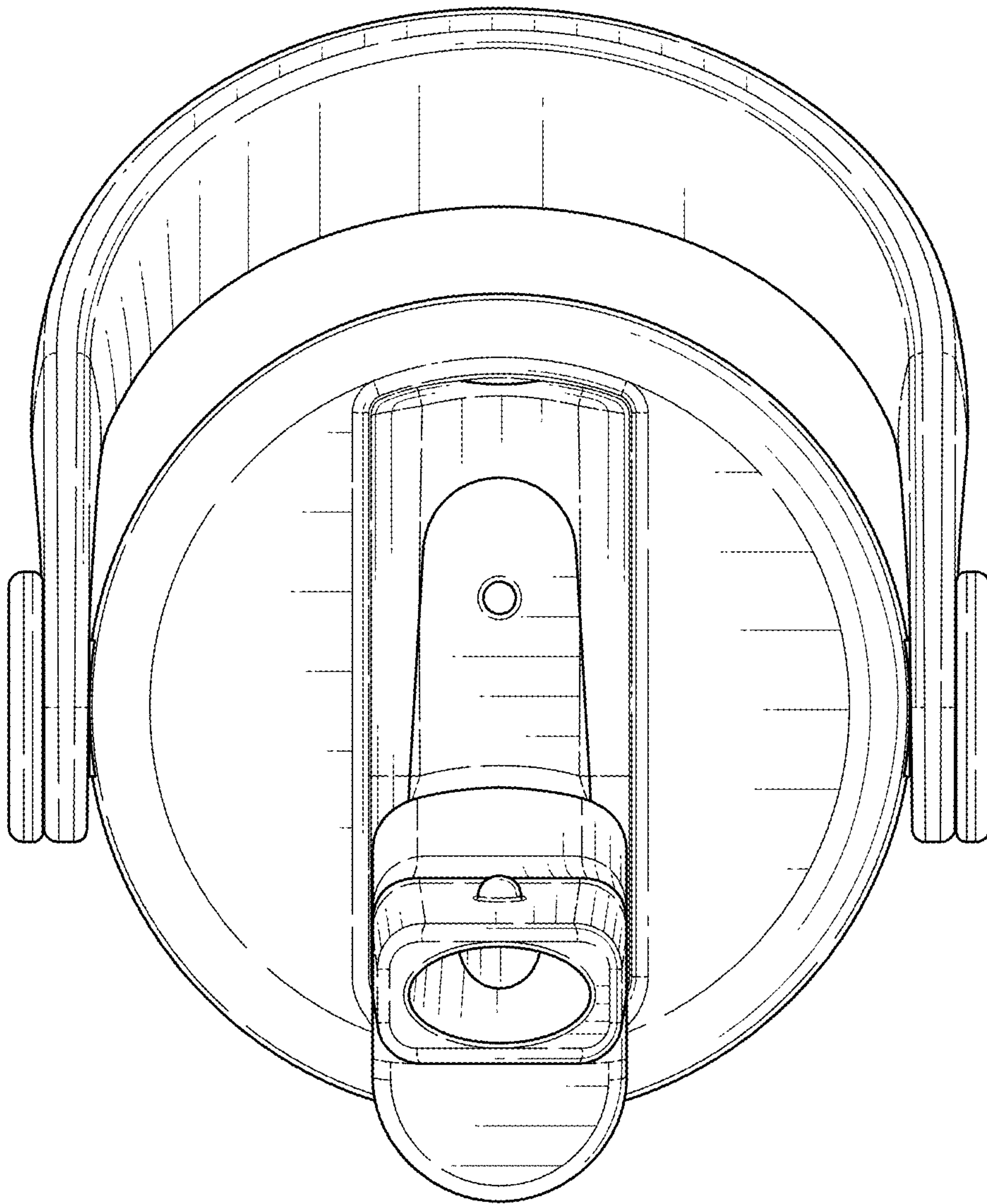


FIG. 10