



US00D931040S

(12) **United States Design Patent** (10) **Patent No.:** **US D931,040 S**
Zhan (45) **Date of Patent:** **** Sep. 21, 2021**

(54) **NOODLE MAKER**

(71) Applicant: **SHENZHEN WEIKASHI TECHNOLOGY CO., LTD.**, Shenzhen (CN)

(72) Inventor: **Xinshu Zhan**, Shenzhen (CN)

(73) Assignee: **SHENZHEN WEIKASHI TECHNOLOGY CO., LTD.**, Shenzhen (CN)

(**) Term: **15 Years**

(21) Appl. No.: **29/728,270**

(22) Filed: **Mar. 17, 2020**

(51) **LOC (13) Cl.** **31-00**

(52) **U.S. Cl.**
USPC **D7/381**

(58) **Field of Classification Search**
USPC D3/294; D7/368, 372, 376-386, D7/412-413, 602, 629, 665-666, 669, D7/679, 693-694; D13/103; D14/125, D14/420, 435, 496

CPC .. A21C 1/02; A21C 1/04; A21C 11/22; A23N 1/00; A23N 1/02; A47J 43/04; A47J 43/25; A47J 43/27; A47J 43/042; A47J 43/044; A47J 43/046; A47J 43/07; A47J 43/075; A47J 43/0722; A47J 43/0727; B01F 3/00; B01F 3/0807; B01F 3/0853; B01F 13/0059; B01F 13/0064; B02C 1/08; B02C 2/04; B02C 4/42; B02C 4/142; B02C 4/143; B02C 4/423; B02C 13/1835; B28C 5/10; B28C 5/12; B28C 5/14; B28C 5/16

See application file for complete search history.

(56) **References Cited**

U.S. PATENT DOCUMENTS

5,770,239 A * 6/1998 Ancona A21C 11/22 366/309
D551,493 S * 9/2007 Marcato D7/368

D586,741 S * 2/2009 Song D13/103
D627,367 S * 11/2010 Andre D14/496
D638,385 S * 5/2011 Wong D14/125
D638,811 S * 5/2011 McMiller D14/125
D642,999 S * 8/2011 Wan D14/125

(Continued)

OTHER PUBLICATIONS

ANTREE Pasta Maker. Date First reviewed on Amazon.com Nov. 22, 2019 <https://www.amazon.com/ANTREE-Pasta-Attachment-KitchenAid-Fettuccine/dp/B081WXKNGC/ref> (Year: 2019).*

Primary Examiner — Ricky Pham

(74) *Attorney, Agent, or Firm* — Cantor Colburn LLP

(57) **CLAIM**

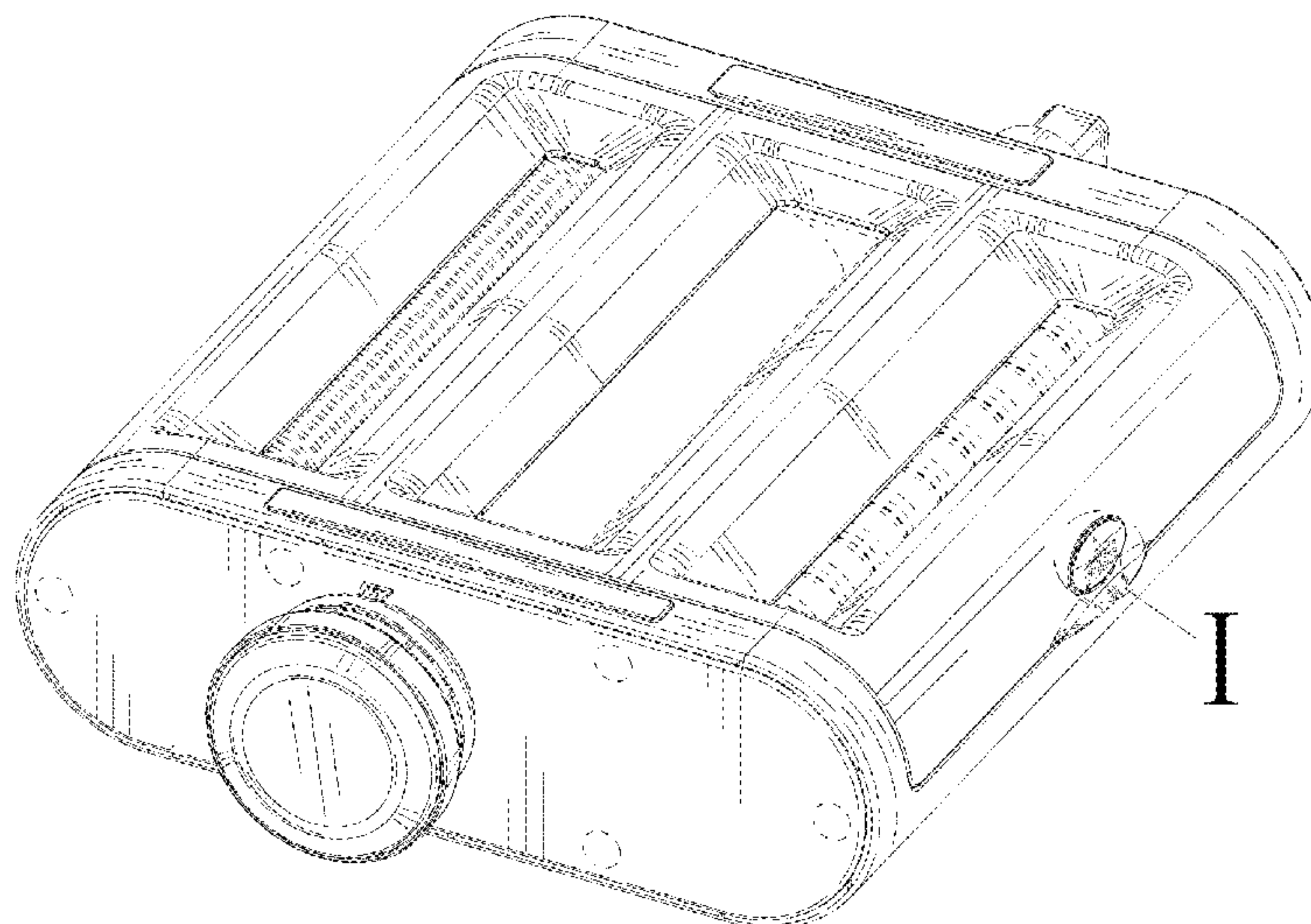
The ornamental design for a “noodle maker”, as shown and described.

DESCRIPTION

FIG. 1 is a front perspective view of a noodle maker; FIG. 2 is a rear perspective view thereof; FIG. 3 is a front view thereof; FIG. 4 is a rear view thereof; FIG. 5 is a left side view thereof; FIG. 6 is a right side view thereof; FIG. 7 is a top view thereof; FIG. 8 is a bottom view thereof; FIG. 9 is a partial enlarged view of I in FIG. 1; FIG. 10 is a partial enlarged view of II in FIG. 2; FIG. 11 is a partial enlarged view of III in FIG. 2; FIG. 12 is a partial enlarged view of IV in FIG. 2; FIG. 13 is a partial enlarged view of V in FIG. 4; and, FIG. 14 is a partial enlarged view of VI in FIG. 4.

The broken lines in the figures depict portions of the noodle maker that form no part of the claimed design. Also, the reference numerals I-VI and their associated leader lines and enclosures in FIGS. 1, 2, 4 and 9-14 form no part of the claimed design.

1 Claim, 14 Drawing Sheets



(56)

References Cited

U.S. PATENT DOCUMENTS

D716,304 S	*	10/2014	Orthey	D14/420
D790,917 S	*	7/2017	Benoit	D7/412
D829,719 S	*	10/2018	Shim	D14/435
D884,344 S	*	5/2020	Jewett	D3/294
D906,051 S	*	12/2020	Xie	D7/412
D910,374 S	*	2/2021	Bin	D7/412

* cited by examiner

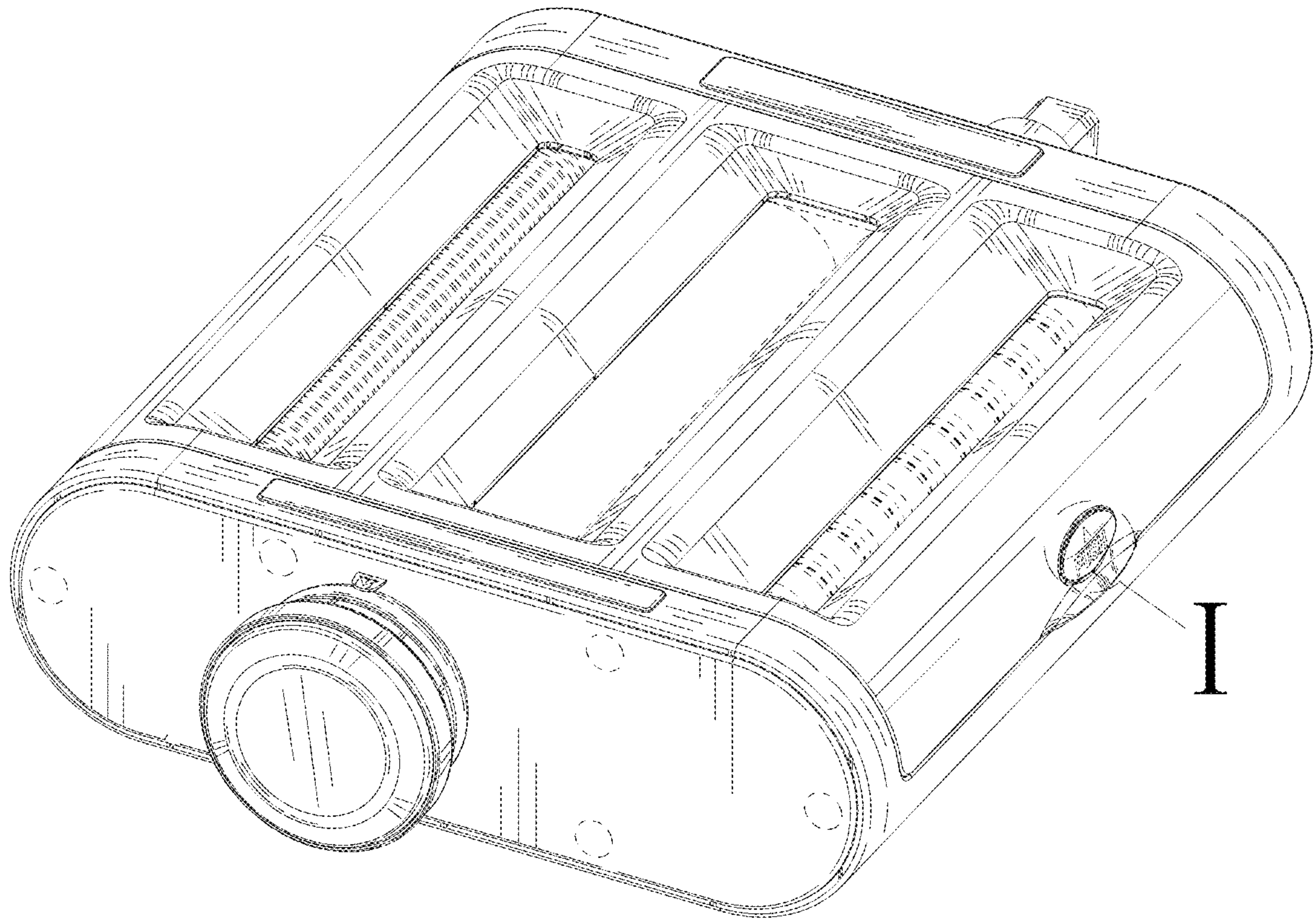


FIG. 1

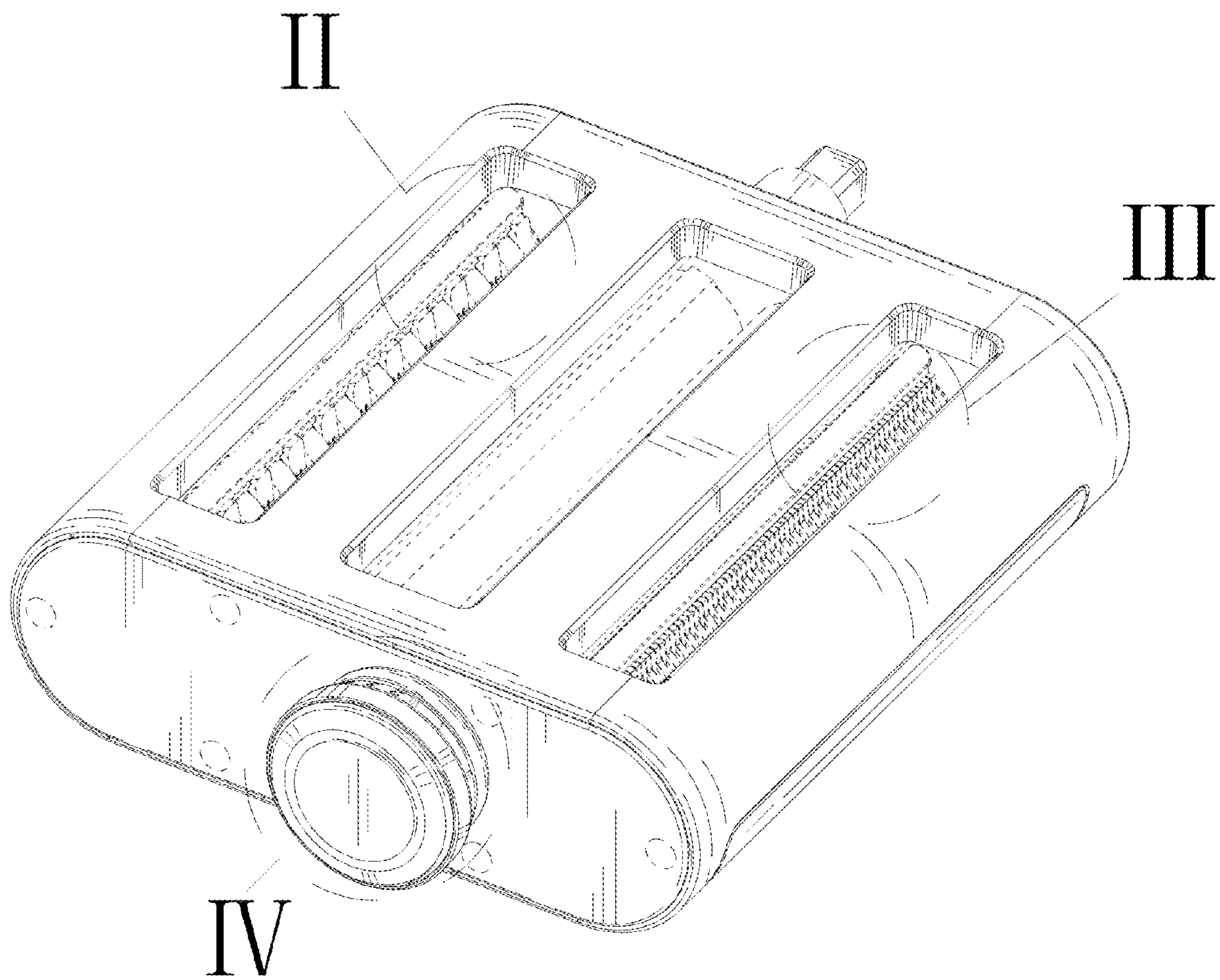


FIG. 2

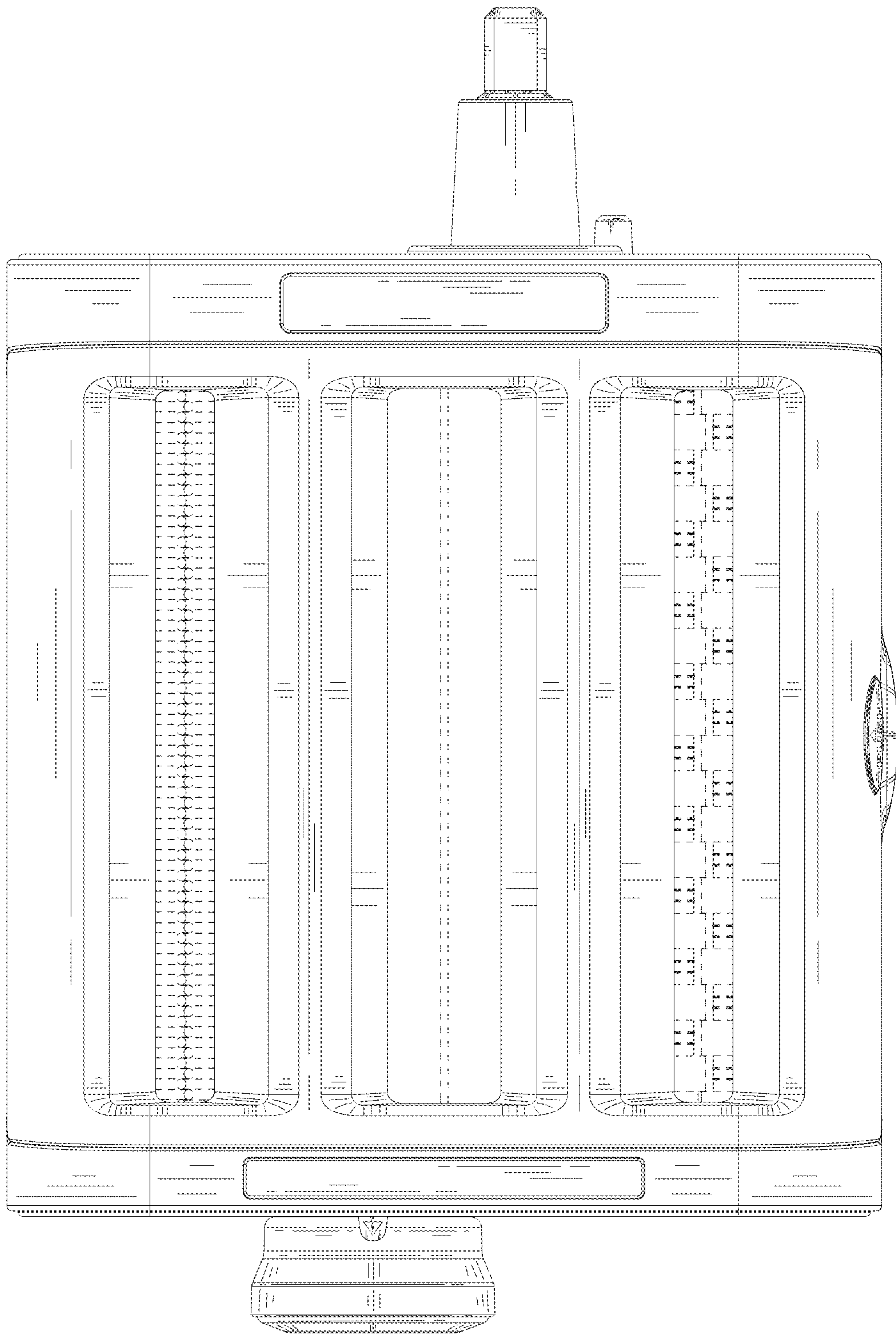


FIG. 3

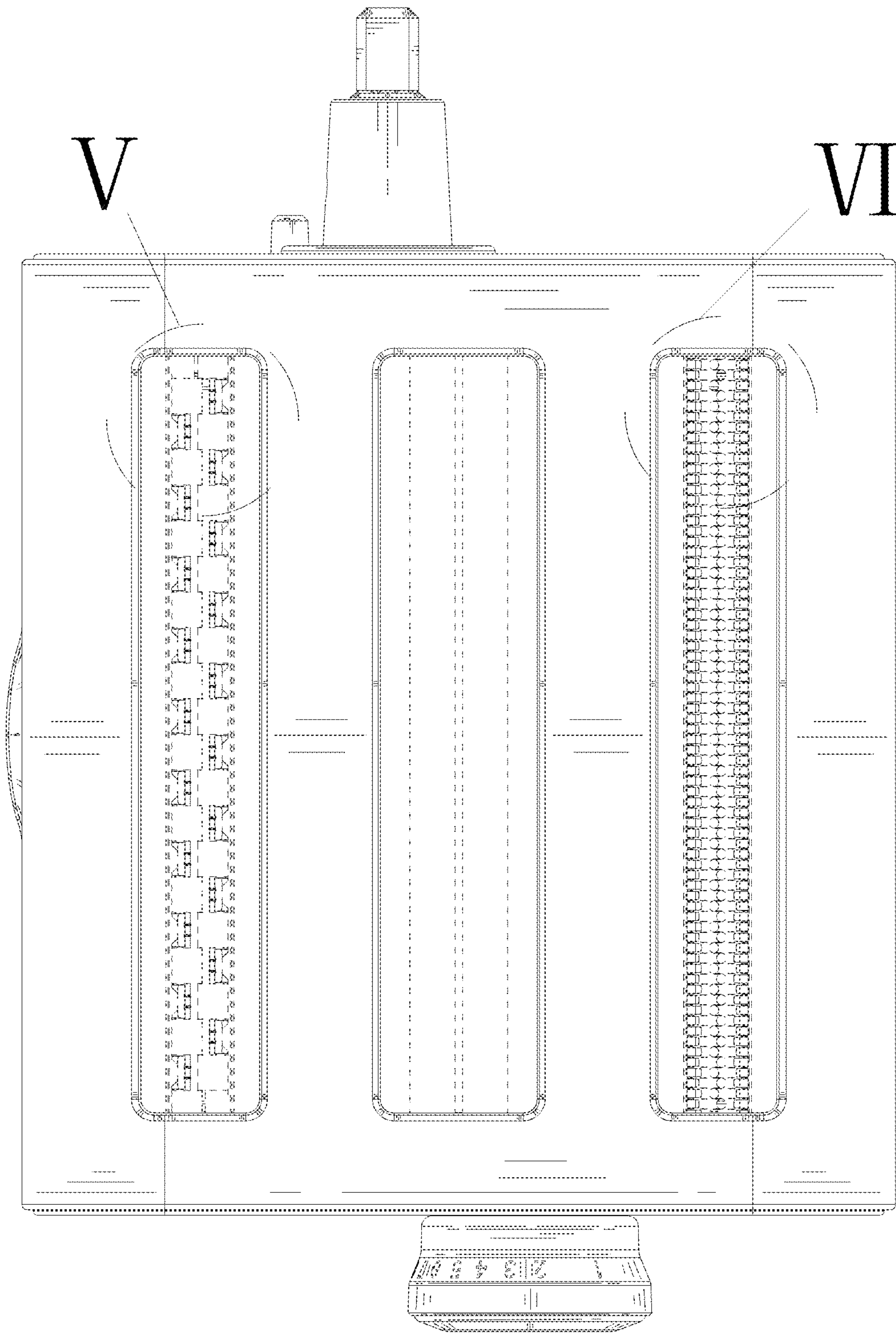


FIG. 4

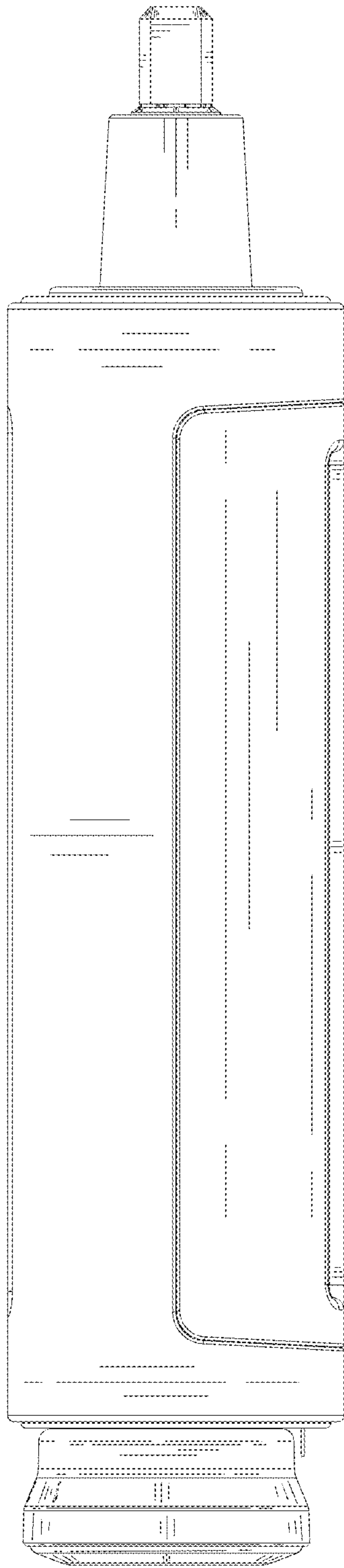


FIG. 5

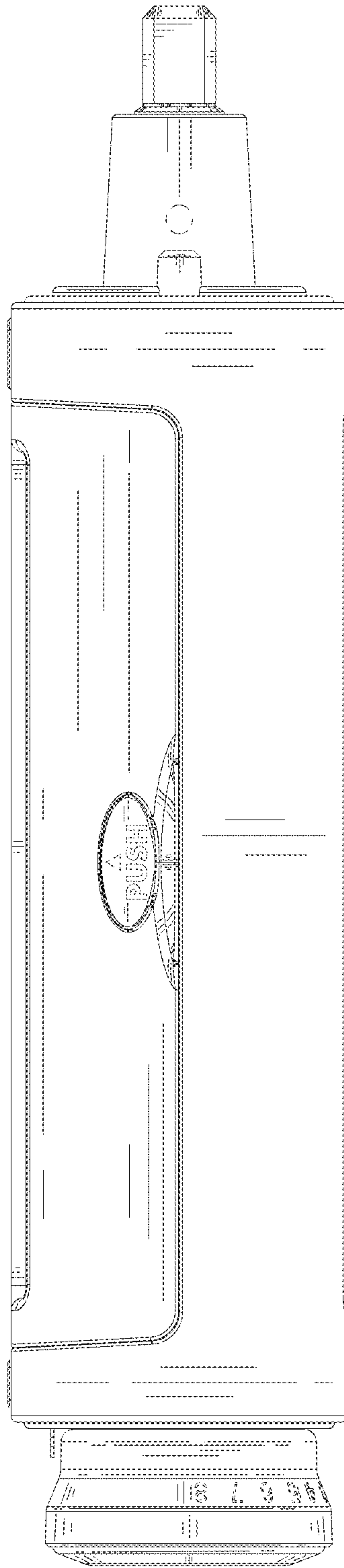


FIG. 6

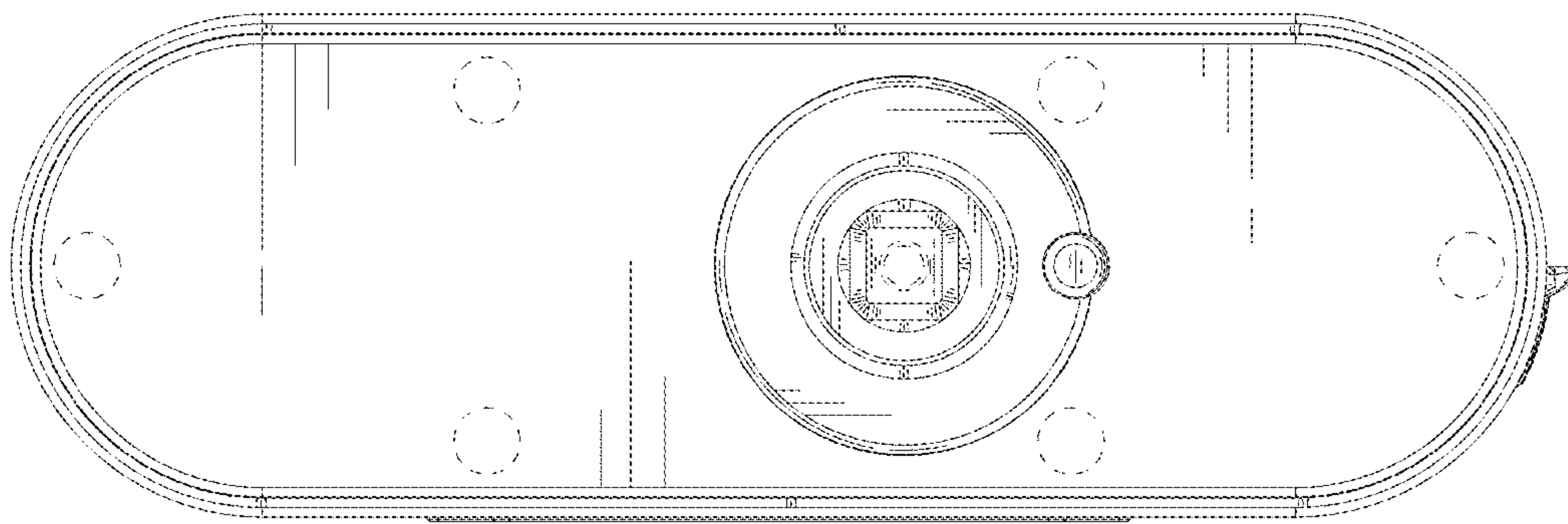


FIG. 7

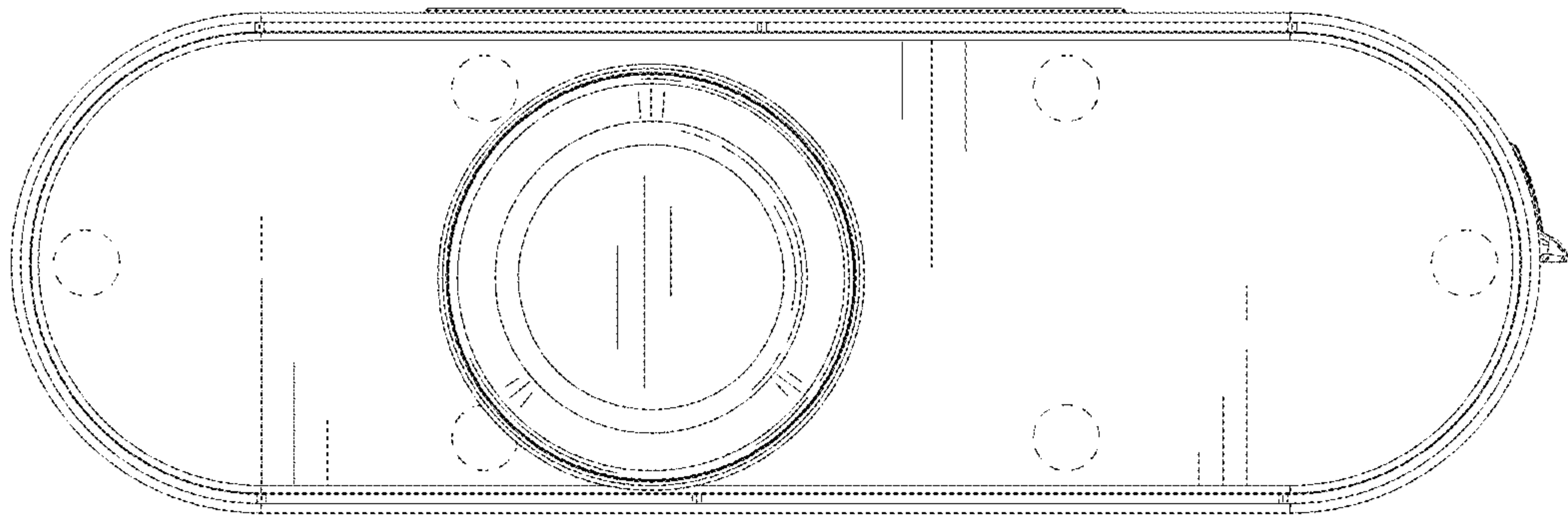


FIG. 8

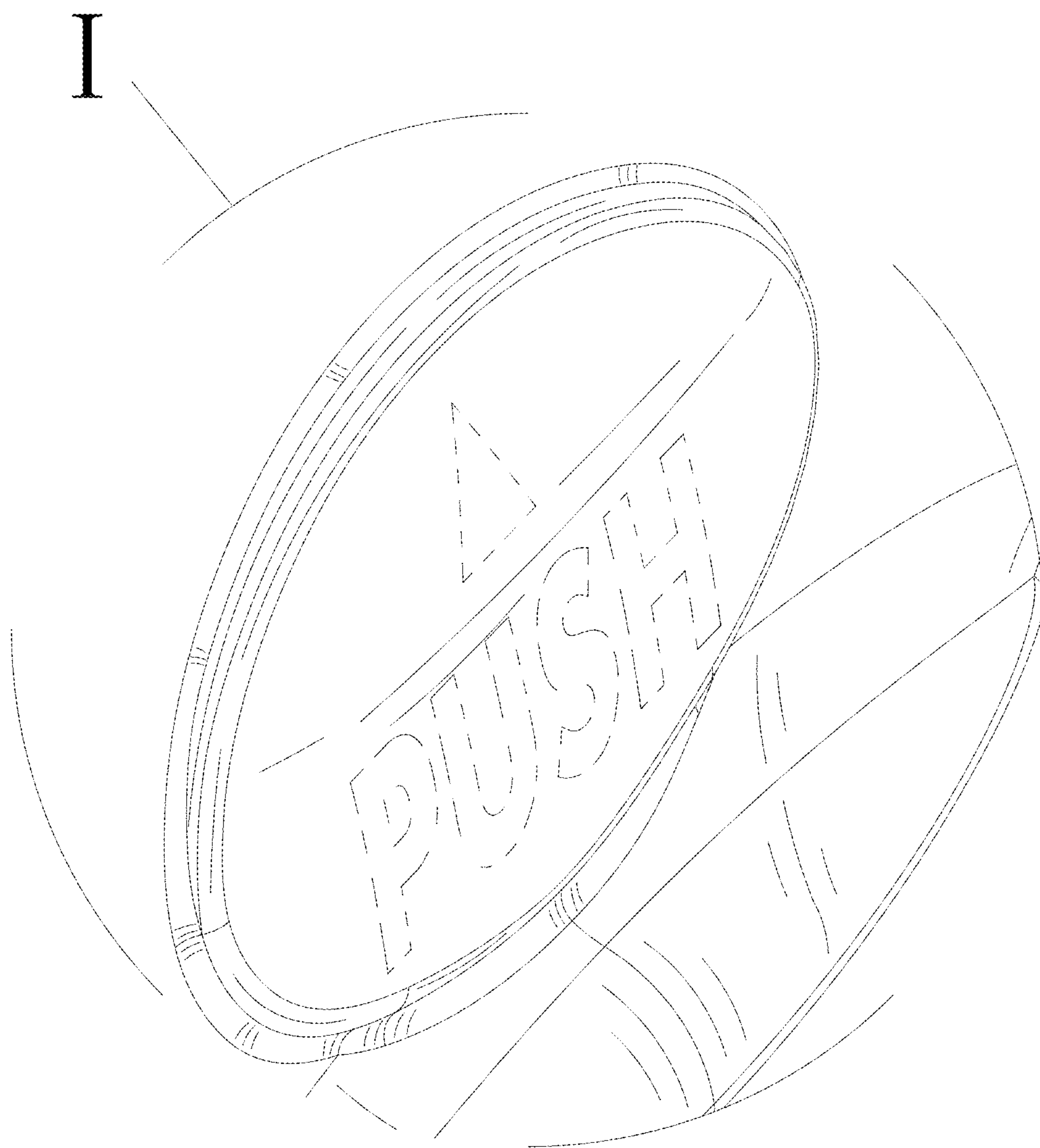


FIG. 9

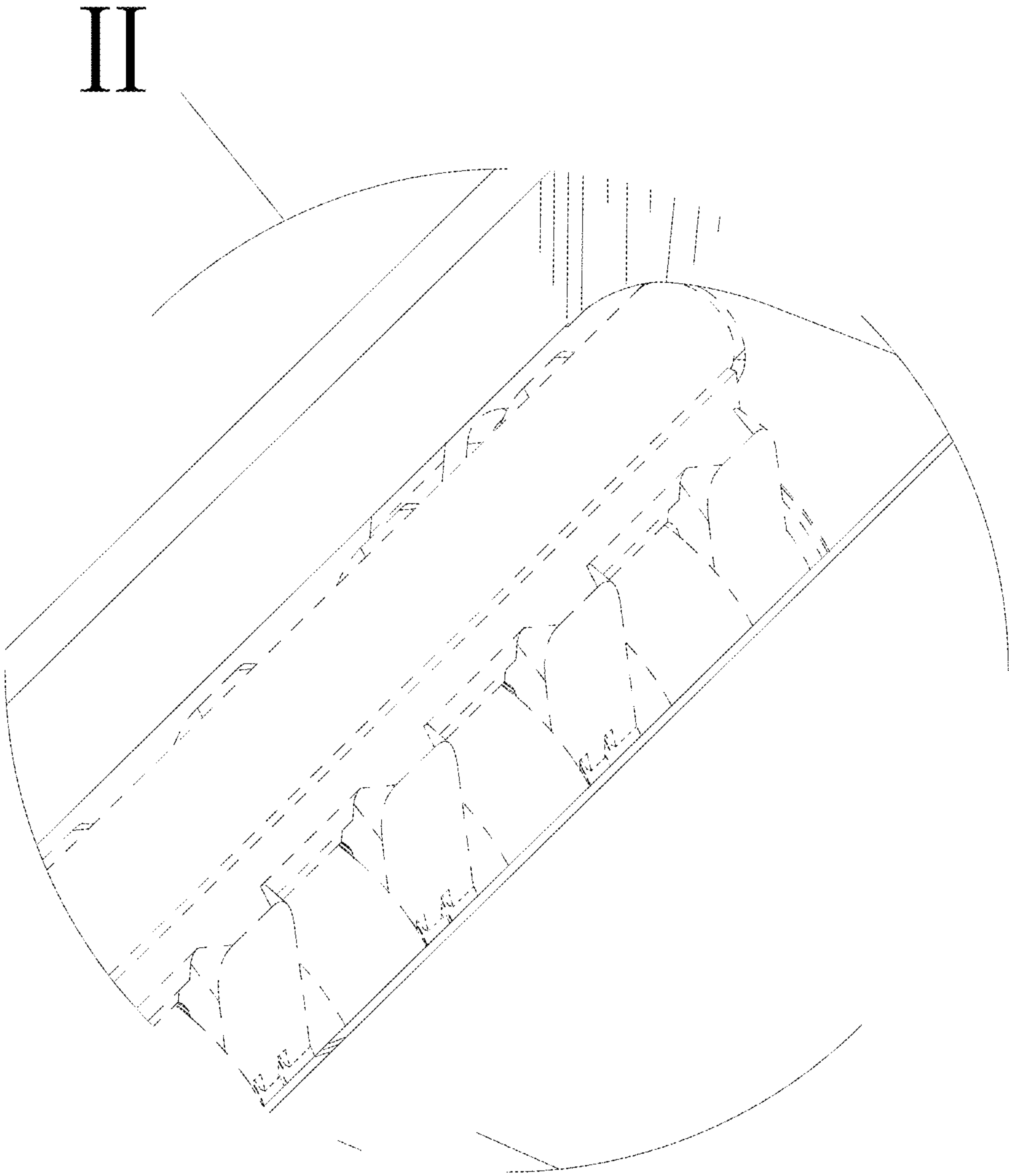


FIG. 10

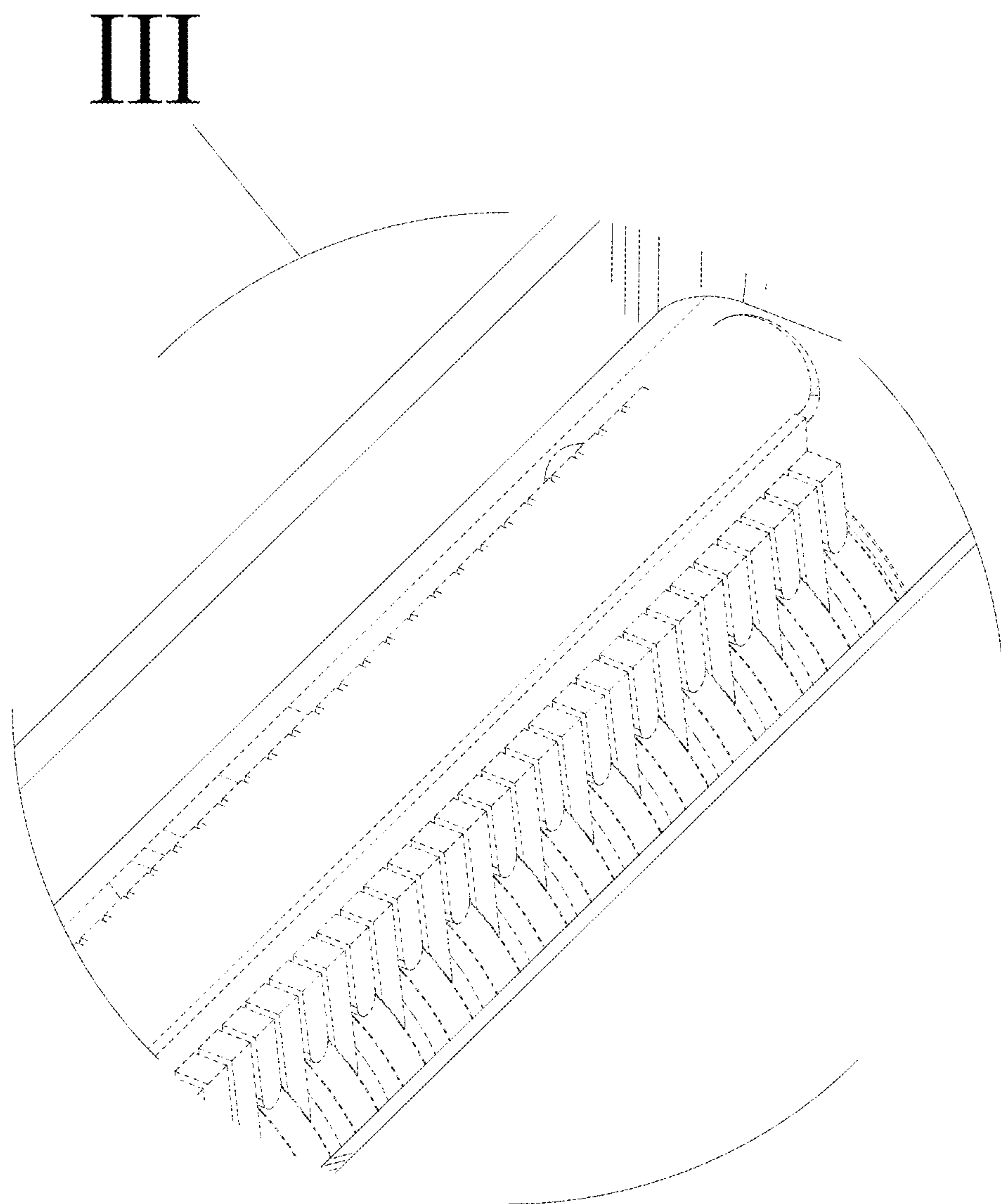


FIG. 11

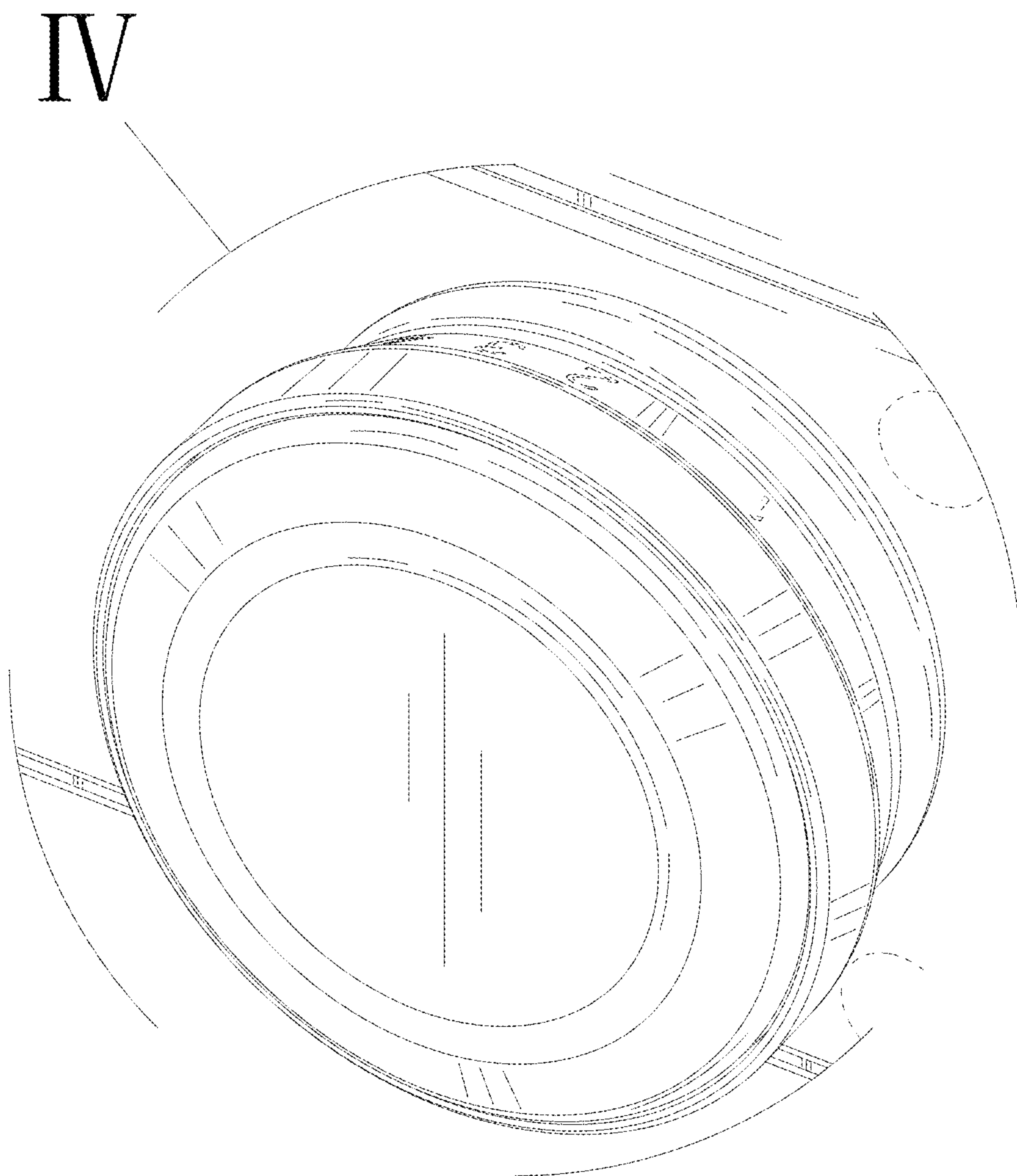


FIG. 12

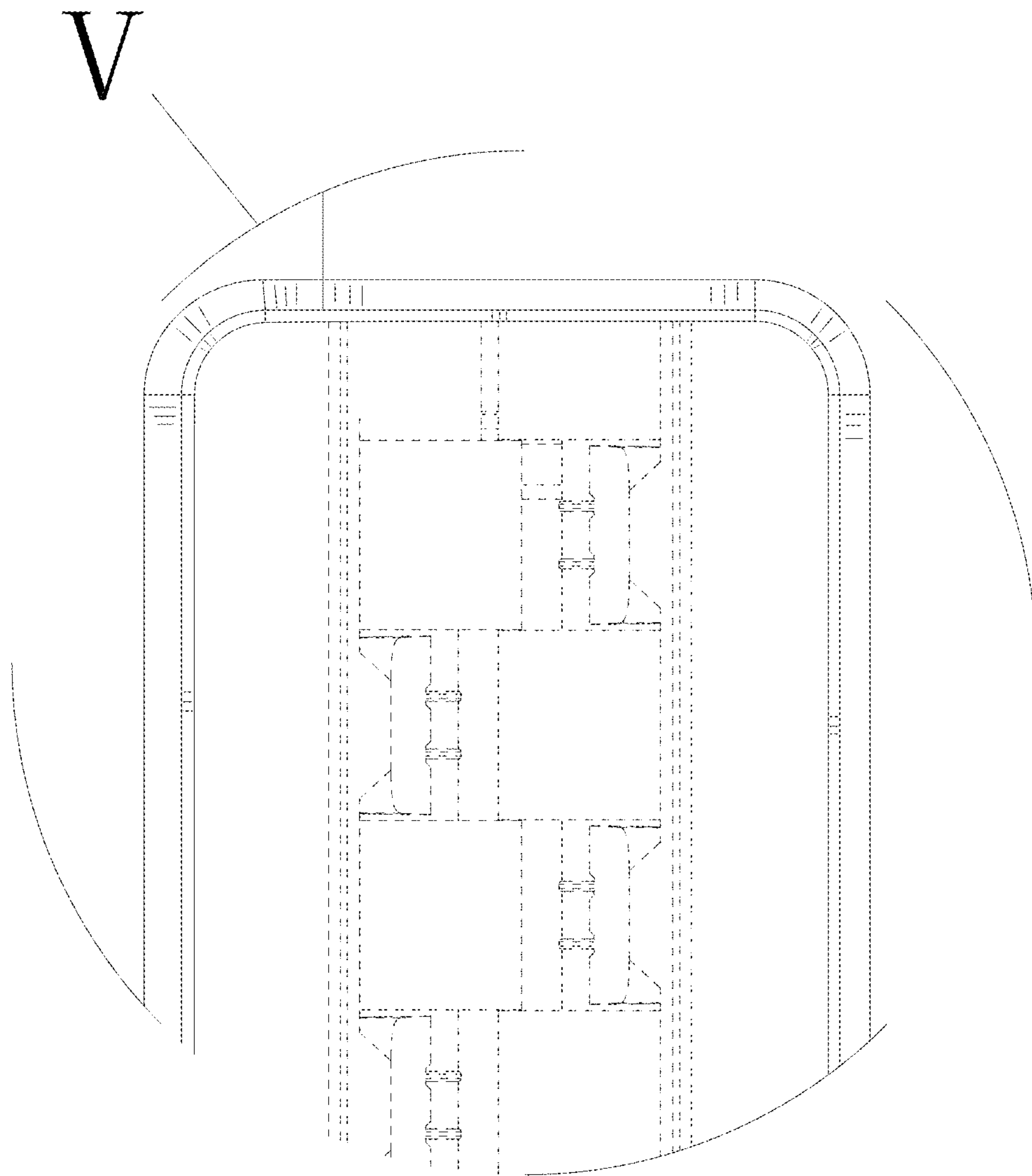


FIG. 13

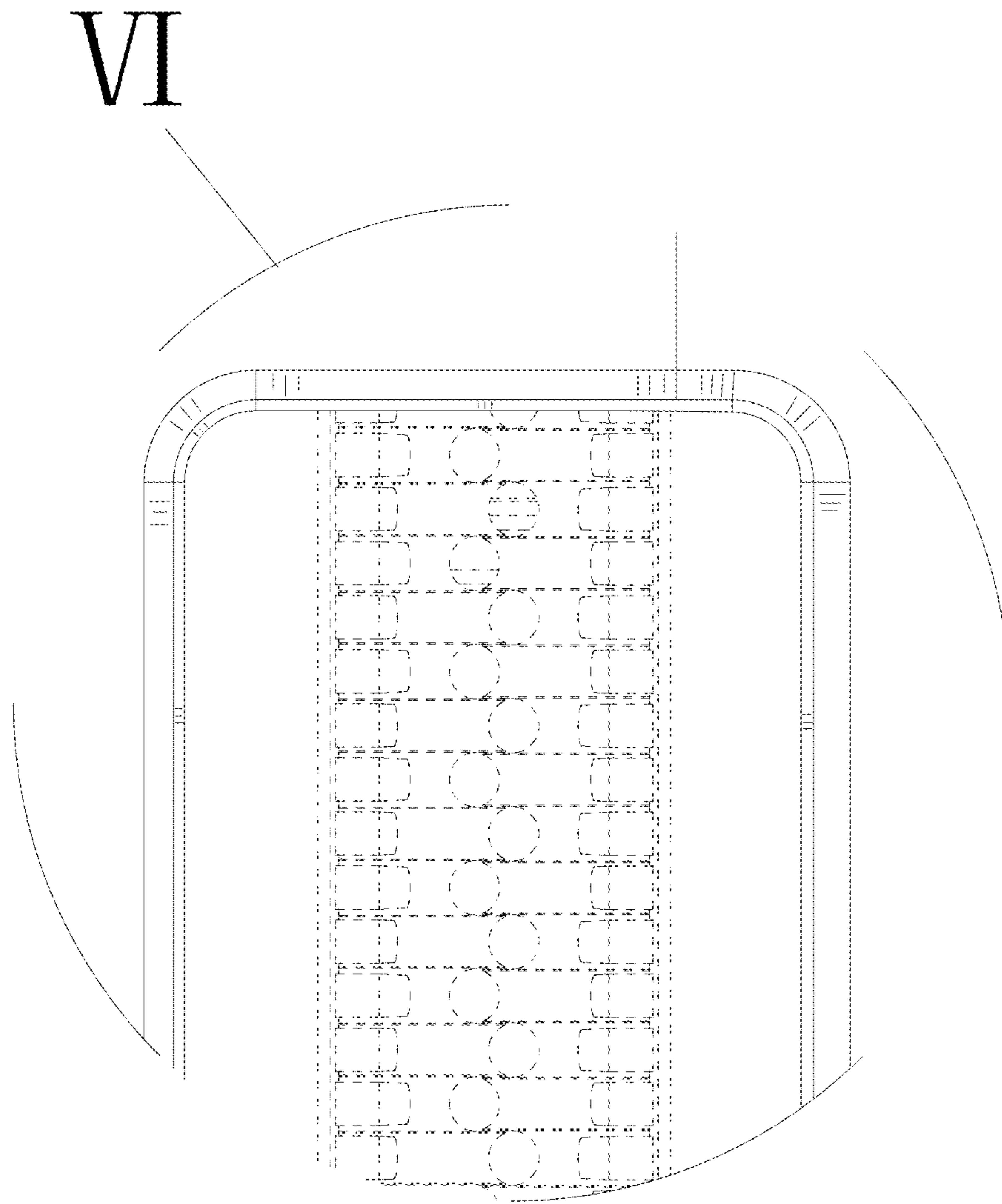


FIG. 14