



US00D931037S

(12) **United States Design Patent**
Chimbuya et al.

(10) **Patent No.:** **US D931,037 S**
(45) **Date of Patent:** **** Sep. 21, 2021**

(54) **COOKWARE POT WITH LID**

FOREIGN PATENT DOCUMENTS

(71) Applicant: **Canadian Tire Corporation, Limited**,
Toronto (CA)

CA 197085 5/2021
CN 303787204 8/2016

(Continued)

(72) Inventors: **Anthony Chimbuya**, Toronto (CA);
Bruce Cooper, Toronto (CA); **David Quan**,
Toronto (CA); **Anthony Wolf**, Toronto (CA);
Helen Kerr, Toronto (CA); **Chay Young Lee**,
Toronto (CA); **Brett Belcher**, Thunder Bay (CA)

OTHER PUBLICATIONS

Paderno Cast Iron Dutch Oven Cookware Pot with Handles and Lid,
announced © 2021 [online], retrieved Jun. 30, 2021, retrieved from
internet, <https://www.walmart.com/ip/Paderno-Cast-Iron-Dutch-Oven-Cookware-Pot-with-Handles-and-Lid-6-5-Quart-Red/278346055>.*

(Continued)

(73) Assignee: **Canadian Tire Corporation, Limited**,
Toronto (CA)

Primary Examiner — Dana K Weiland
Assistant Examiner — Messina L Smith

(**) Term: **15 Years**

(74) *Attorney, Agent, or Firm* — Alston & Bird LLP

(21) Appl. No.: **29/764,264**

(22) Filed: **Dec. 29, 2020**

Related U.S. Application Data

(63) Continuation of application No. 29/703,613, filed on
Aug. 28, 2019.

Foreign Application Priority Data

Feb. 28, 2019 (CA) CA 186288

(51) **LOC (13) Cl.** **07-02**

(52) **U.S. Cl.**
USPC **D7/360**

(58) **Field of Classification Search**
USPC D7/323, 331, 352, 354, 355, 356, 357,
D7/359, 360, 361, 362, 363, 364, 365,
(Continued)

References Cited

U.S. PATENT DOCUMENTS

1,414,540 A 5/1922 Young et al.
D120,994 S 6/1940 Lett

(Continued)

(57) **CLAIM**

The ornamental design for a cookware pot with lid, as shown
and described.

DESCRIPTION

FIG. 1 is a top front perspective view of a cookware pot with
lid, according to the present design.

FIG. 2 is a front elevation view of the cookware pot with lid
of FIG. 1, the rear elevation view of the cookware pot with
lid of FIG. 1 being a mirror image thereof;

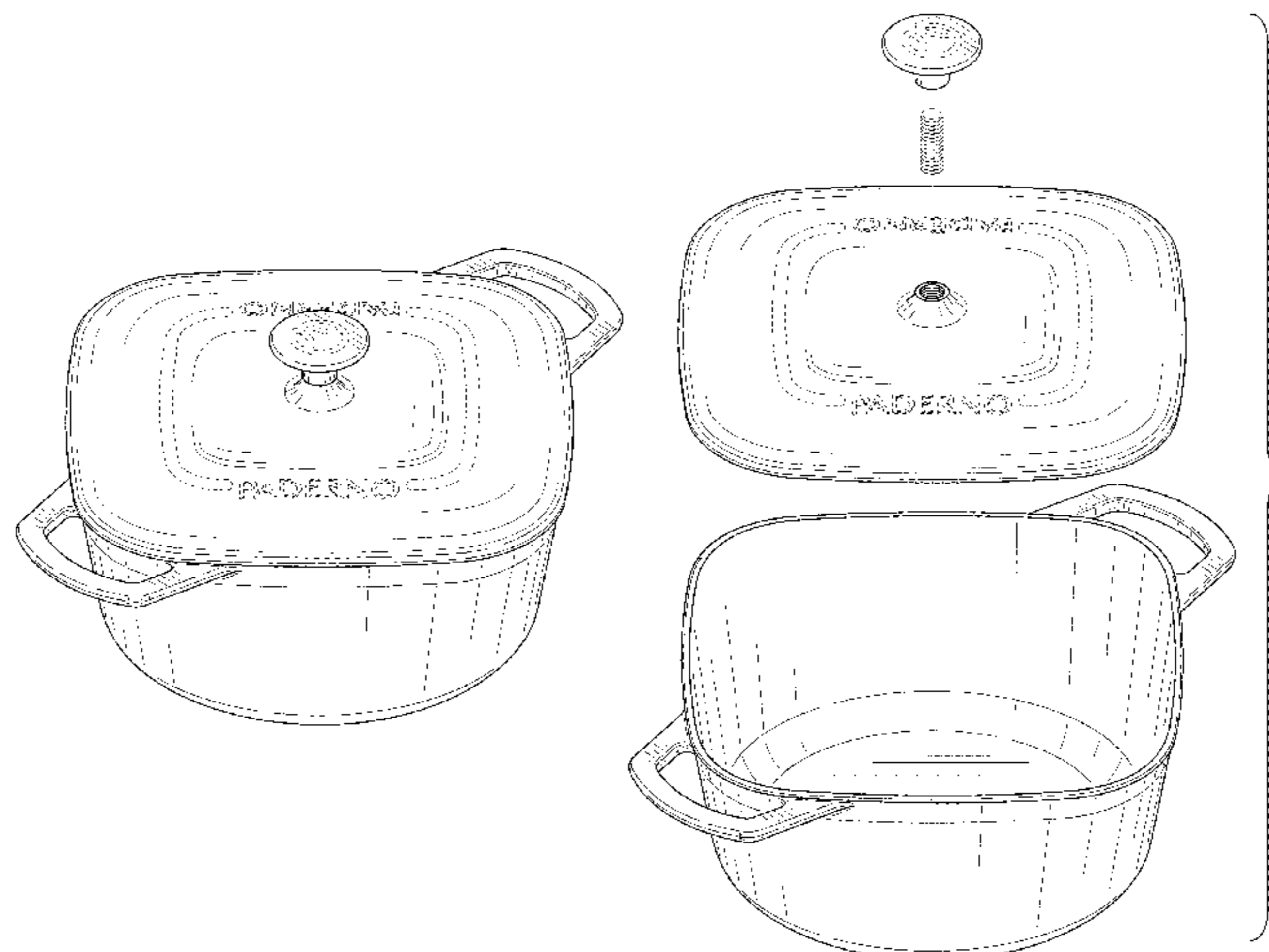
FIG. 3 is a top plan view of the cookware pot with lid of FIG.
1;

FIG. 4 is a bottom plan view of the cookware pot with lid
of FIG. 1.

FIG. 5 is an exploded view of the cookware pot with lid of
FIG. 1.

FIG. 6 is a cross-sectional view of the cookware pot with lid
of FIG. 1, taken in the direction of line 6-6 in FIG. 3; and,
FIG. 7 is a bottom plan view of the lid of the cookware pot
with lid of FIG. 1 shown separately to show aspects of the
design that are not visible when combined.

(Continued)



The broken lines shown in the drawings depict portions of the cookware pot with lid that form no part of the claimed design.

2014/0053824 A1 2/2014 Mader
 2016/0045052 A1* 2/2016 Yu A47J 27/002
 220/573.4
 2020/0275799 A1 9/2020 Chimbuya et al.

1 Claim, 5 Drawing Sheets

(58) Field of Classification Search

USPC D7/366, 402, 409, 410; D3/304;
 D9/736, 749, 755, 758, 760, 456;
 D1/105, 123, 124
 CPC .. A21B 3/00; A21B 3/13; A21B 3/131; A21B
 3/132; A21B 3/135; A21B 3/136; A21B
 3/137; A21B 3/15; A21B 5/00; A21B
 5/02; A21B 5/04; A47J 29/00; A47J
 29/02; A47J 29/06; A47J 36/00; A47J
 36/02; A47J 36/06; A47J 36/16; A47J
 36/24; A47J 36/022; A47J 36/027; A47J
 37/00; A47J 37/01; A47J 37/04; A47J
 37/06; A47J 37/10; A47J 37/07; A47J
 43/20

See application file for complete search history.

(56) References Cited

U.S. PATENT DOCUMENTS

2,696,816 A 12/1954 Barber et al.
 2,760,672 A 8/1956 Cronheim
 D218,347 S 8/1970 Aubecq
 D221,095 S 7/1971 Tevolitz
 D227,729 S 7/1973 Luzier et al.
 6,029,843 A * 2/2000 Kroscher A47J 36/08
 220/367.1
 D424,879 S * 5/2000 Biber D7/361
 D443,794 S 7/2001 Garber et al.
 D568,108 S 5/2008 Levien
 D614,445 S 4/2010 Ferron et al.
 D667,273 S * 9/2012 Henry D7/542
 D667,678 S 9/2012 Sensenig et al.
 D678,050 S 3/2013 Birchmeier et al.
 D702,486 S * 4/2014 Bowden D7/360
 D702,990 S * 4/2014 Roussard D7/360
 8,967,416 B2 * 3/2015 Furlong B65D 51/16
 220/380
 D778,103 S 2/2017 Mirchandani et al.
 D835,453 S 12/2018 Bennett
 D837,584 S * 1/2019 Chang D7/360
 10,264,921 B2 4/2019 Bennett
 D858,192 S 9/2019 Lo
 D864,651 S * 10/2019 Lindsay D7/359
 D877,556 S 3/2020 Saad
 D882,332 S 4/2020 Bennett
 D883,730 S 5/2020 Demers et al.
 D884,423 S 5/2020 Fast
 D892,537 S * 8/2020 Watanabe D7/360

FOREIGN PATENT DOCUMENTS

CN 304100980 * 4/2017
 IL 17874 * 5/1991
 IN 309926-0001 * 9/2018
 IN 322811-001-0001 * 10/2019

OTHER PUBLICATIONS

Paderno World Cuisine A1750031 Induction Cookware Aluminum Dutch Oven, announced Feb. 11, 2021 [online], retrieved Jun. 30, 2021, retrieved from internet, https://www.gzxghxn.com/index.php?main_page=product_info&products_id=403123.
 Kinovation Dutch Oven, announced Dec. 31, 2019 [online], retrieved Jun. 30, 2021, retrieved from internet, https://www.amazon.com/dp/B081C7QRXS/ref=olp_aod_redir_impl1?_encoding=UTF8&aod=1.
 Staub Stoneware Square Covered Baker, announced © 2021 [online], retrieved Jun. 30, 2021, retrieved from internet, <https://www.williams-sonoma.com/products/staub-stoneware-square-covered-baker/>.
 8" Square Stoneware Baking Pan with Lid, announced May 25, 2021 [online], retrieved Jun. 30, 2021, retrieved from internet, <https://www.macys.com/shop/product/martha-stewart-collection-8-square-stoneware-baking-pan-with-lid-created-for-macys?ID=11849227>.
 Temp-tations Old World Set of 2 Square Bakers with Swing Lid, announced Feb. 9, 2021 [online], retrieved Jun. 30, 2021, retrieved from internet, <https://www.qvc.com/Temp-tations-Old-World-Set-of-2-Square-Bakers-with-Swing-Lid.product.K51250.html>.
 Staub Ceramics, announced 2020 [online], retrieved Jun. 30, 2021, retrieved from internet, <https://www.zwilling.com/us/staub-ceramics-9-inch-square-special-shape-bakeware-cherry-40508-636/40508-636-0.html>.
 NonFinal Office Action for U.S. Appl. No. 29/703,613, dated Oct. 7, 2020, (9 pages), United States Patent and Trademark Office, USA.
 Dutch Oven 5 Quarts, announced Apr. 2, 2018, (2 pages), [online], [retrieved from the Internet Sep. 29, 2020] <URL: <https://www.paderno.com/products/red-dutch-oven-5-quarts>>.
 Paderno Dutch Oven, announced Apr. 2, 2018, (9 pages), [online], [retrieved from the Internet Sep. 29, 2020] <URL: <https://www.amazon.com/Paderno-Dutch-Cookware-Stainless-Steel-Quarts/dp/B07W14SV81>>.
 Kinovation Dutch Oven, announced Apr. 2, 2018, (12 pages), [online], [retrieved from the Internet Sep. 29, 2020] <URL: https://www.annazon.com/dp/B081C7QRXS/ref=sbl_dpx_B081C7QRXS0>.
 U.S. Appl. No. 29/703,613, filed Aug. 28, 2019, Pending.
 Ex Parte Quayle Action for Design U.S. Appl. No. 29/764,447, dated Jul. 8, 2021, (11 pages), United States Patent and Trademark Office, USA.

* cited by examiner

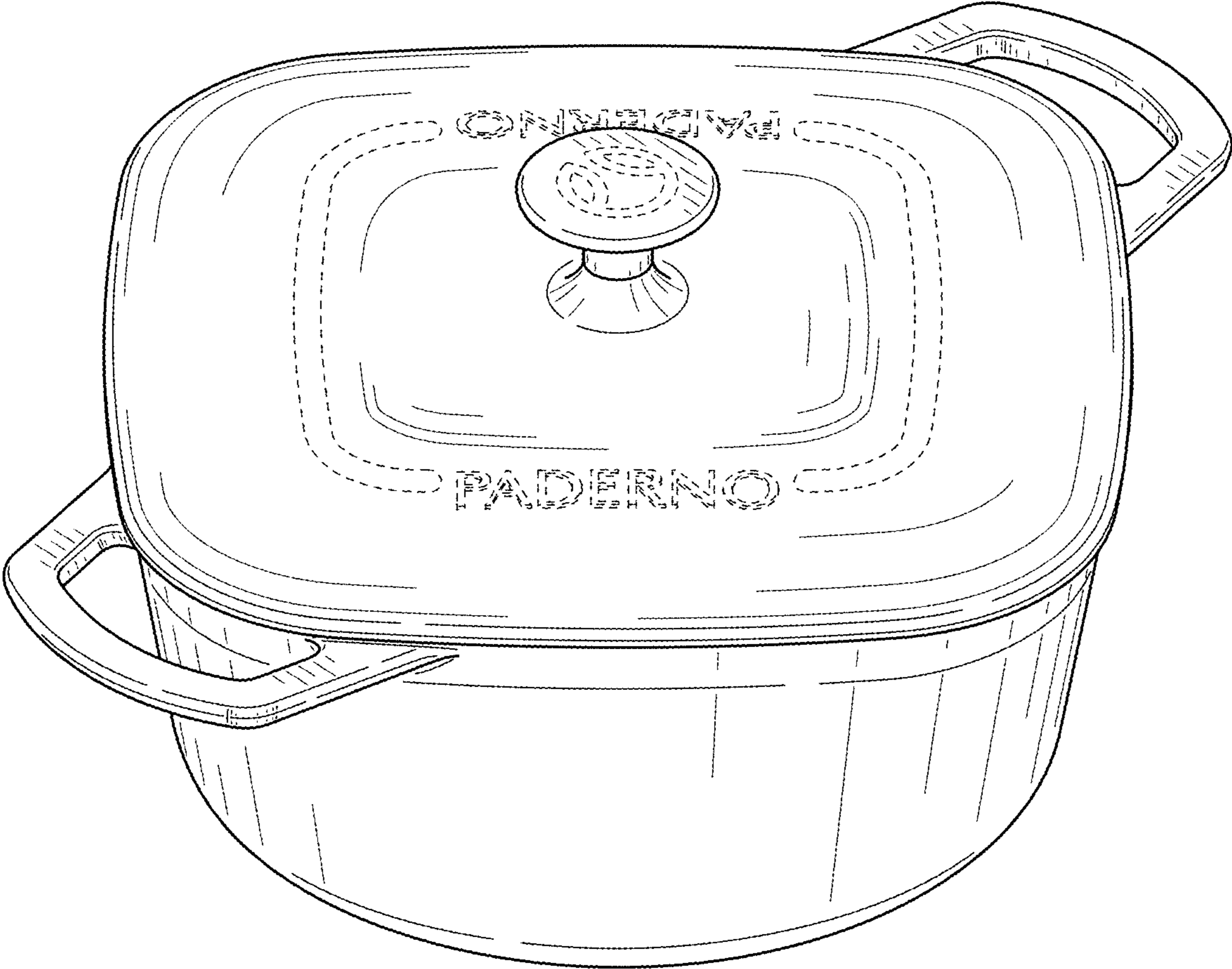


FIG. 1

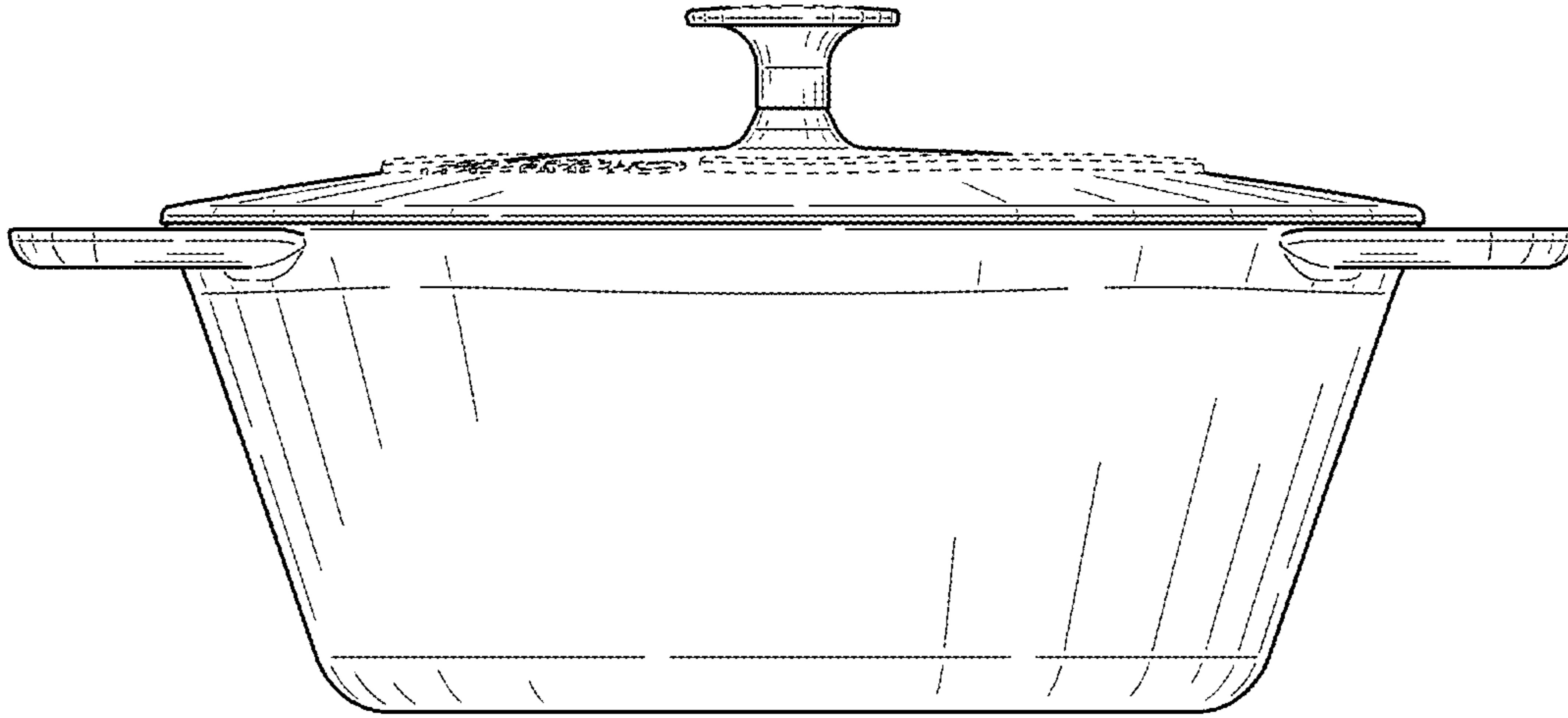


FIG. 2

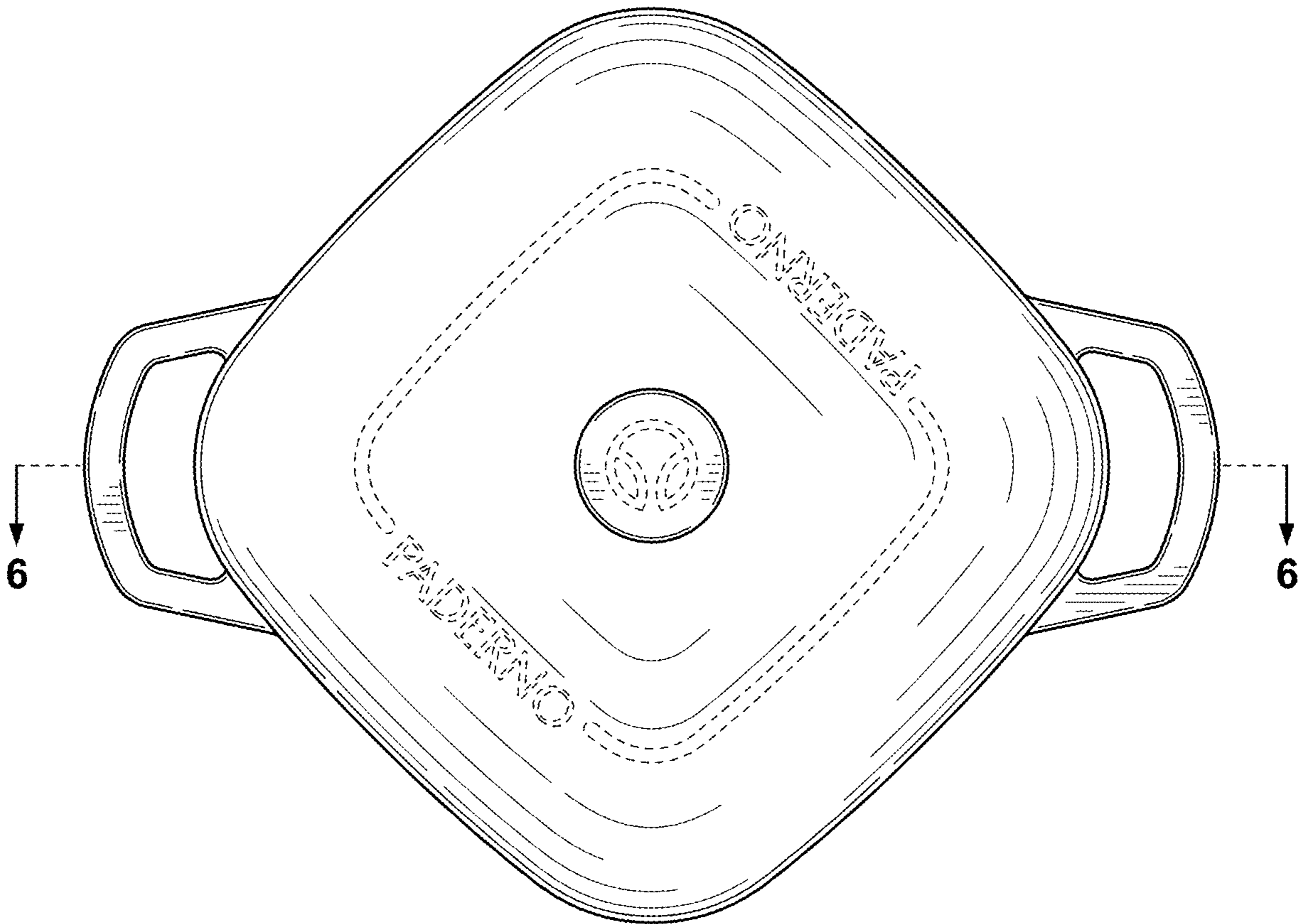


FIG. 3

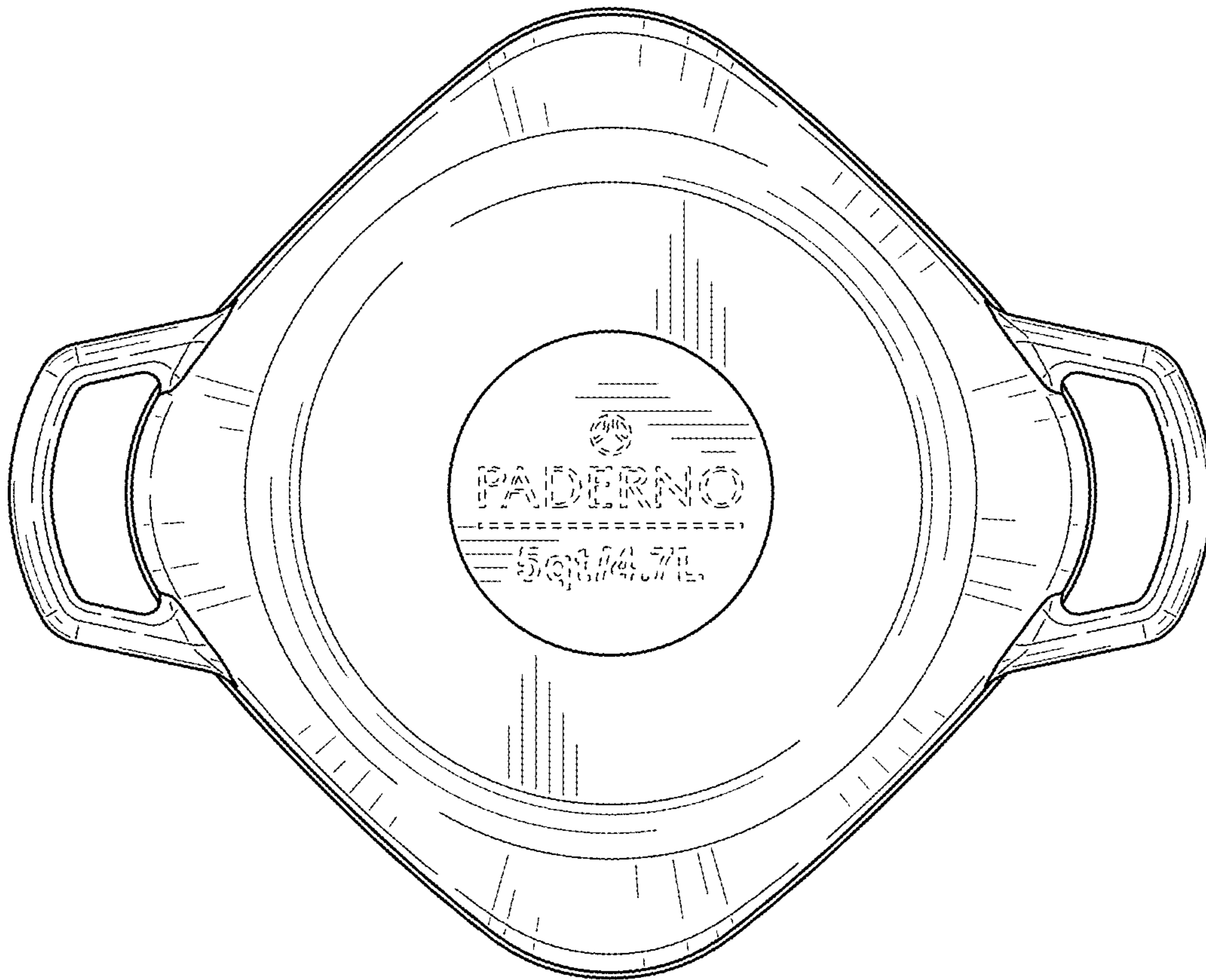


FIG. 4



FIG. 5

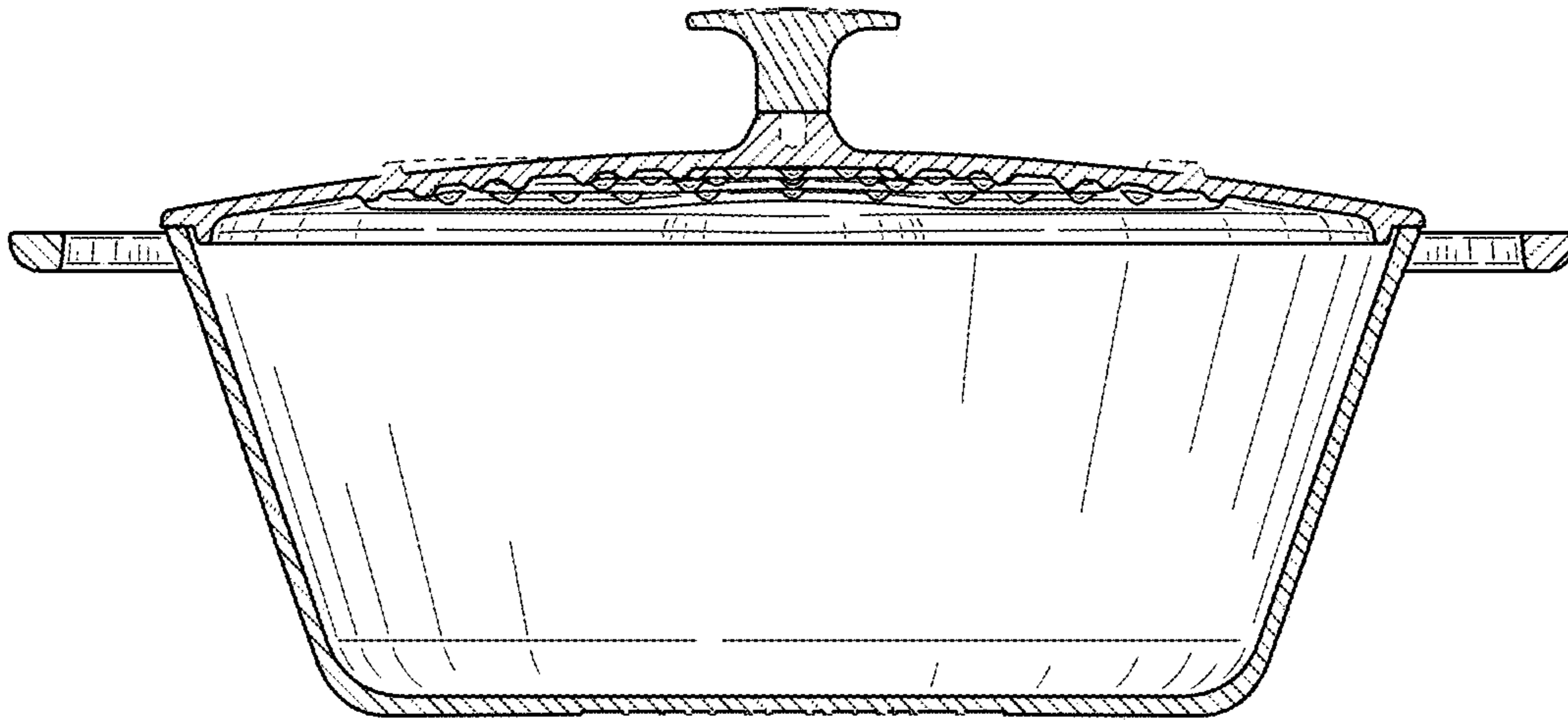


FIG. 6

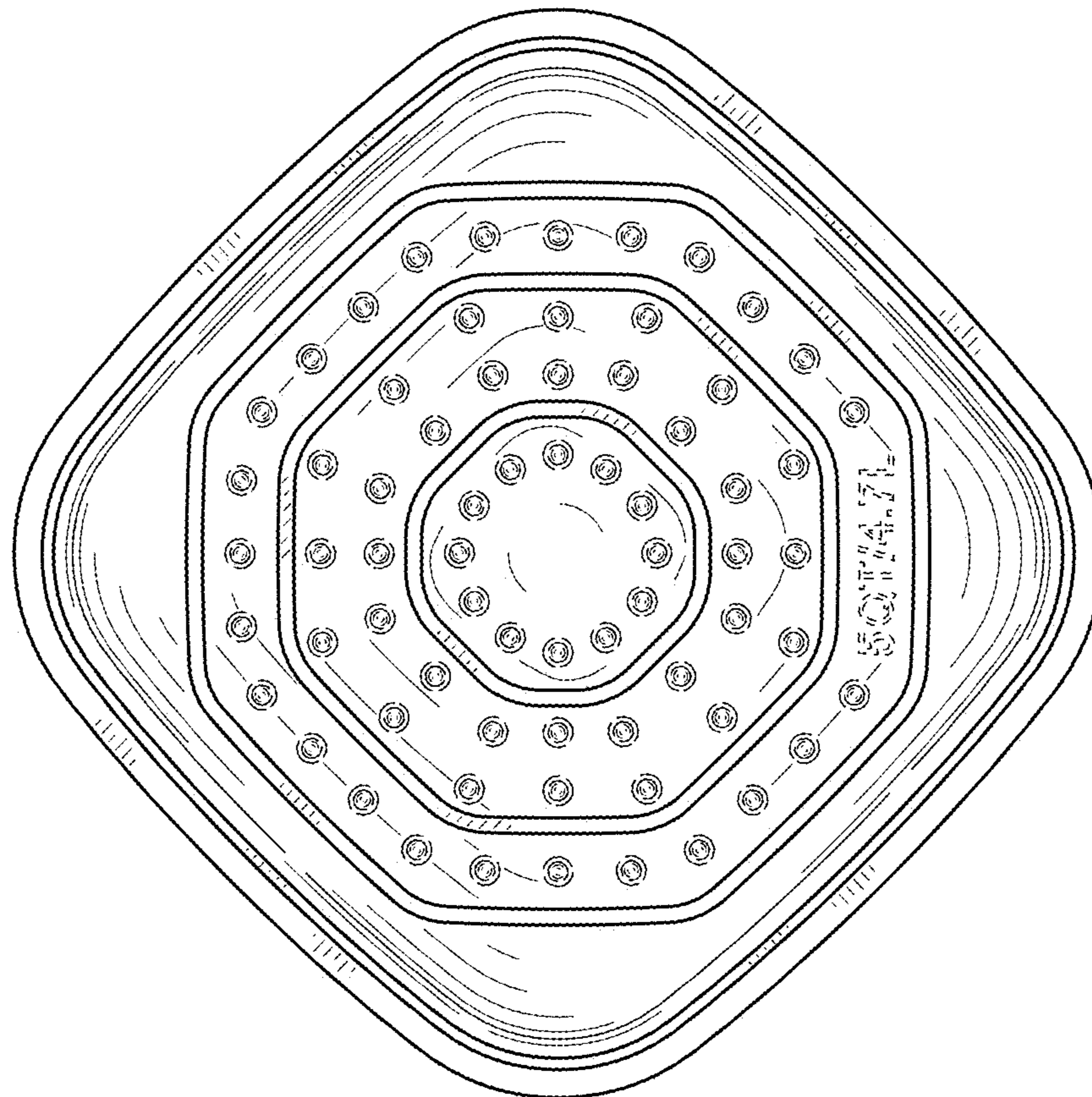


FIG. 7