



US00D931036S

(12) **United States Design Patent**
Chimbuya et al.

(10) **Patent No.:** **US D931,036 S**
(45) **Date of Patent:** **** Sep. 21, 2021**

(54) **COOKWARE POT WITH LID**

FOREIGN PATENT DOCUMENTS

(71) Applicant: **Canadian Tire Corporation, Limited**,
Toronto (CA)

CA 197085 5/2021
CN 303787204 8/2016

(Continued)

(72) Inventors: **Anthony Chimbuya**, Toronto (CA);
Bruce Cooper, Toronto (CA); **David Quan**,
Toronto (CA); **Anthony Wolf**, Toronto (CA);
Helen Kerr, Toronto (CA); **Chay Young Lee**,
Toronto (CA); **Brett Belcher**, Thunder Bay (CA)

OTHER PUBLICATIONS

Dutch Oven 5 QUARTS, announced Apr. 2, 2018 [online], retrieved
Sep. 29, 2020, retrieved from internet, <https://www.paderno.com/products/red-dutch-oven-5quarts>.*

(Continued)

(73) Assignee: **Canadian Tire Corporation, Limited**,
Toronto (CA)

Primary Examiner — Dana K Weiland
Assistant Examiner — Messina L Smith

(74) *Attorney, Agent, or Firm* — Alston & Bird LLP

(**) Term: **15 Years**

(57) **CLAIM**

(21) Appl. No.: **29/703,613**

The ornamental design for a cookware pot with lid, as shown
and described.

(22) Filed: **Aug. 28, 2019**

DESCRIPTION

(30) **Foreign Application Priority Data**

Feb. 28, 2019 (CA) CA 186288

(51) **LOC (13) Cl.** **07-02**

(52) **U.S. Cl.**
USPC **D7/360**

(58) **Field of Classification Search**
USPC D7/323, 338, 352, 354, 355, 356, 357,
D7/358, 359, 360, 361, 362, 363, 364,
(Continued)

FIG. 1 is a top front perspective view of a cookware pot with
lid, according to the present design.

FIG. 2 is a front elevation view of the cookware pot with lid
of FIG. 1, the rear elevation view of the cookware pot with
lid of FIG. 1 being the same as the front elevation view.

FIG. 3 a top plan view of the cookware pot with lid of FIG.
1.

FIG. 4 is a bottom plan view of the cookware pot with lid
of FIG. 1.

FIG. 5 is an exploded view of the cookware pot with lid of
FIG. 1.

FIG. 6 is a cross-sectional view of the cookware pot with lid
of FIG. 1, taken in the direction of line 6-6 in FIG. 3; and,
FIG. 7 is a bottom plan view of the lid of the cookware pot
with lid of FIG. 1, shown separately to show aspects of the
design that are not visible when combined.

The broken lines depict portions of the cookware pot with lid
that form no part of the claimed design.

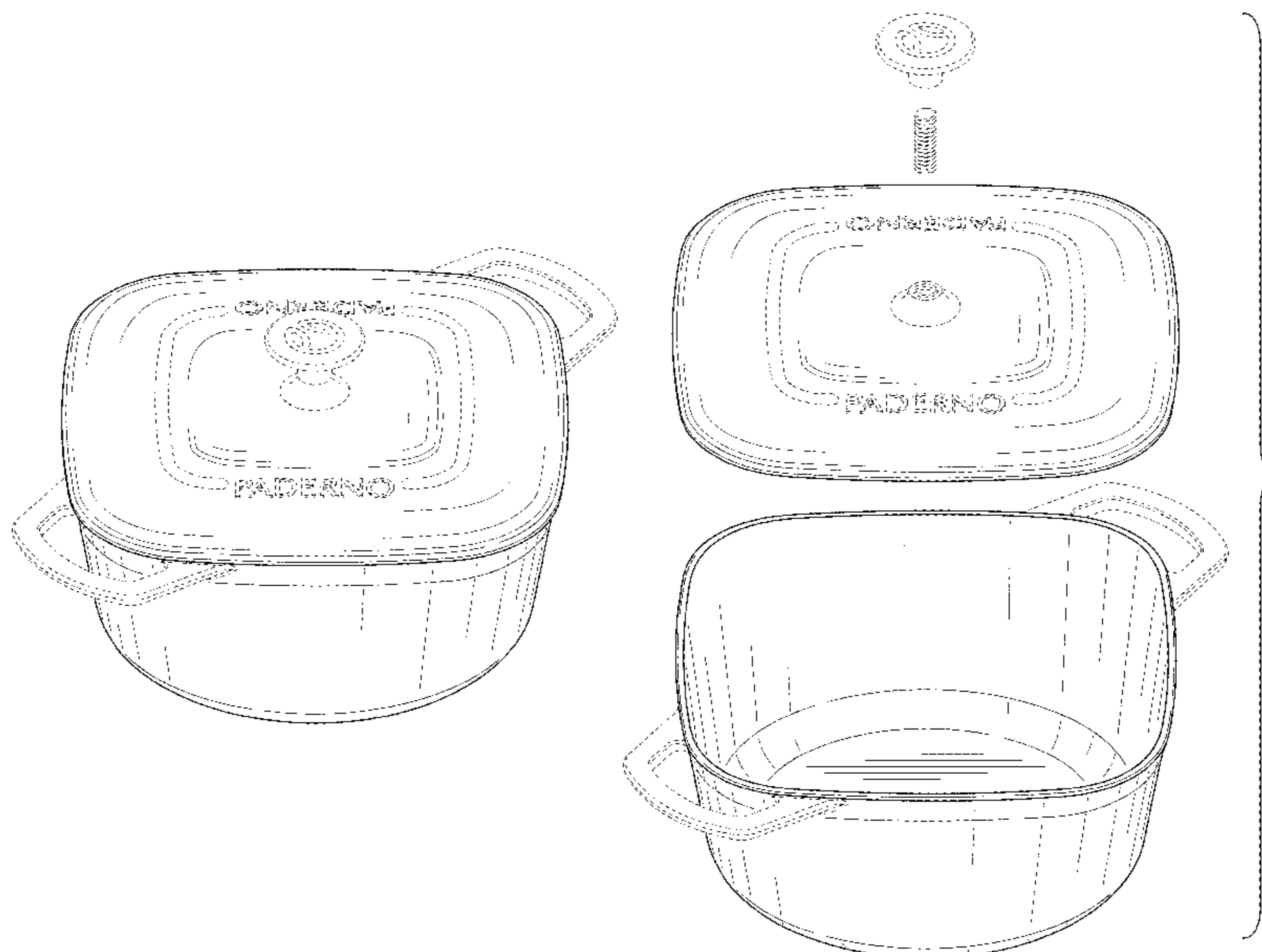
(56) **References Cited**

U.S. PATENT DOCUMENTS

1,414,540 A 5/1922 Young et al.
D120,994 S 6/1940 Lett

(Continued)

1 Claim, 5 Drawing Sheets



(58) **Field of Classification Search**

USPC D7/365, 366, 367, 402, 407, 409;
 D9/736, 749, 755, 758, 760, 456
 CPC .. A21B 3/00; A21B 3/13; A21B 3/131; A21B
 3/132; A21B 3/135; A21B 3/136; A21B
 3/137; A21B 3/15; A21B 5/00; A21B
 5/02; A21B 5/04; A47J 27/00; A47J
 36/00; A47J 36/02; A47J 36/06; A47J
 36/16; A47J 36/24; A47J 36/022; A47J
 36/027; A47J 37/00; A47J 37/01; A47J
 37/04; A47J 37/06; A47J 37/10; A47J
 37/07; A47J 37/0781; A47J 43/20

See application file for complete search history.

(56) **References Cited**

U.S. PATENT DOCUMENTS

2,696,816	A	12/1954	Barber et al.	
2,760,672	A	8/1956	Cronheim	
D218,347	S *	8/1970	Aubecq	D7/360
D221,095	S *	7/1971	Tevolitz	D7/360
D227,729	S *	7/1973	Luzier	D7/360
6,029,843	A	2/2000	Kroscher et al.	
D424,879	S	5/2000	Biber	
D443,794	S *	6/2001	Garber	D7/360
D568,108	S *	5/2008	Levien	D7/538
D614,445	S	4/2010	Ferron et al.	
D667,273	S	9/2012	Henry	
D667,678	S	9/2012	Sensenig et al.	
D678,050	S *	3/2013	Birchmeier	D9/424
D702,486	S	4/2014	Bowden et al.	
D702,990	S	4/2014	Roussard	
8,967,416	B2	3/2015	Furlong	
D778,103	S *	2/2017	Mirchandani	D7/354
D835,453	S	12/2018	Bennett	
D837,584	S	1/2019	Chang	
10,264,921	B2	4/2019	Bennett	
D858,192	S	9/2019	Lo	
D864,651	S	10/2019	Lindsay et al.	
D877,556	S	3/2020	Saad	
D882,332	S	4/2020	Bennett	
D883,730	S *	5/2020	Demers	D7/354
D884,423	S	5/2020	Fast	
D892,537	S	8/2020	Watanabe et al.	
2014/0053824	A1	2/2014	Mader	
2016/0045052	A1	2/2016	Yu	
2020/0275799	A1 *	9/2020	Chimbuya	A47J 36/38

FOREIGN PATENT DOCUMENTS

CN	304100980	4/2017
IL	17874	5/1991
IN	309926-0001	9/2018
IN	322811-001-0001	10/2019

OTHER PUBLICATIONS

Paderno Dutch Oven, announced Apr. 2, 2018 [online], retrieved Sep. 29, 2020, retrieved from internet, <https://www.amazon.com/Paderno-Dutch-Cookware-Stainless-Steel-Quarts/dp/B07W14SV81>.*

Kinovation Dutch Oven, announced Apr. 2, 2018 [online], retrieved Sep. 29, 2020, retrieved from internet, https://www.amazon.com/dp/B081C7QRXS/ref=sbl_dpx_B081C7QRXS_0.*

8" Square Stoneware Baking Pan with Lid, announced May 25, 2021, (9 pages), [online], retrieved Jun. 30, 2021, retrieved from internet, <https://www.macys.com/shop/product/rnartha-stewart-collection-8-square-stoneware-baking-pan-with-lid-created-for-macys?ID=11849227>.

Ex Parte Quayle Action for Design U.S. Appl. No. 29/764,447, dated Jul. 8, 2021, (11 pages), United States Patent and Trademark Office, USA.

Kinovation Dutch Oven, announced Dec. 31, 2019, (13 pages), [online], retrieved Jun. 30, 2021, retrieved from internet, https://www.amazon.com/dp/B081C7ORXS/ref=olp_aod_redir_impl1?encoding=UTF8&aod=1.

Notice of Allowance and Fee(s) Due for U.S. Appl. No. 29/764,264, dated Jul. 14, 2021, (14 pages), United States Patent and Trademark Office, USA.

Paderno Cast Iron Dutch Oven Cookware Pot with Handles and Lid, announced © 2021, (4 pages), [online], retrieved Jun. 30, 2021, retrieved from internet, <https://www.walmart.com/ip/Paderno-Cast-Iron-Dutch-Oven-Cookware-Pot-with-Handles-and-Lid-6-5-Quart-Red/278346055>.

Paderno World Cuisine A1750031 Induction Cookware Aluminum Dutch Oven, announced Feb. 11, 2021, (3 pages), [online], retrieved Jun. 30, 2021, retrieved from internet, https://www.gzxghxn.com/index.php?mainpage=product_info&products_id=403123.

Staub Ceramics, announced 2020 [online], retrieved Jun. 30, 2021, (9 pages), retrieved from internet, <https://www.zwilling.com/us/staub-ceramics-9-inch-square-special-shape-bakeware-cherry-40508-636/40508-636-0.html>.

Staub Stoneware Square Covered Baker, announced © 2021, (4 pages), [online], retrieved Jun. 30, 2021, retrieved from internet, <https://www.williams-sonoma.com/products/staub-stoneware-square-covered-baker/>.

Temp-tations Old World Set of 2 Square Bakers with Swing Lid, announced Feb. 9, 2021, (11 pages), [online], retrieved Jun. 30, 2021, retrieved from internet, <https://www.qvc.com/Temp-tations-Old-World-Set-of-2-Square-Bakers-with-Swing-Lid.product.K51250.html>.

* cited by examiner

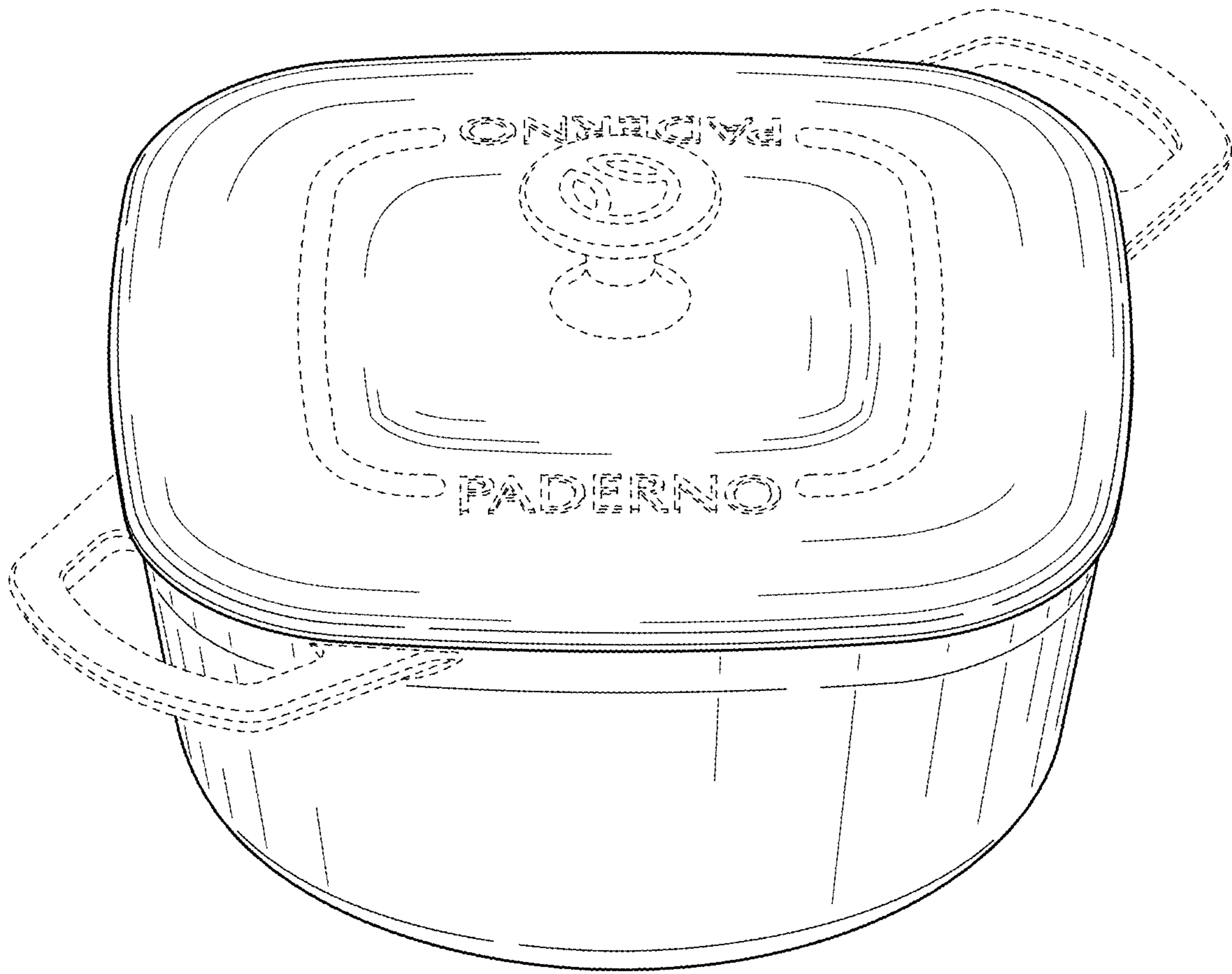


FIG. 1

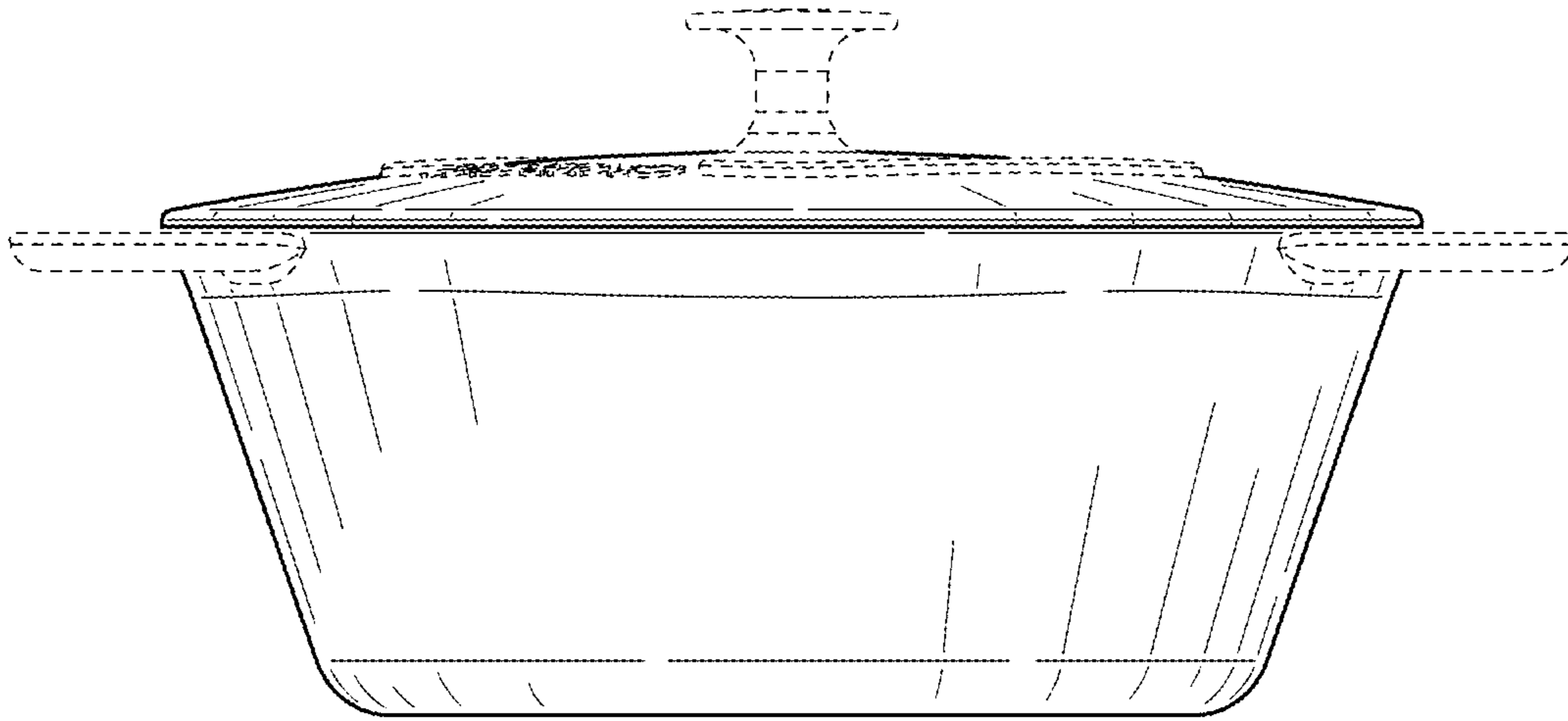


FIG. 2

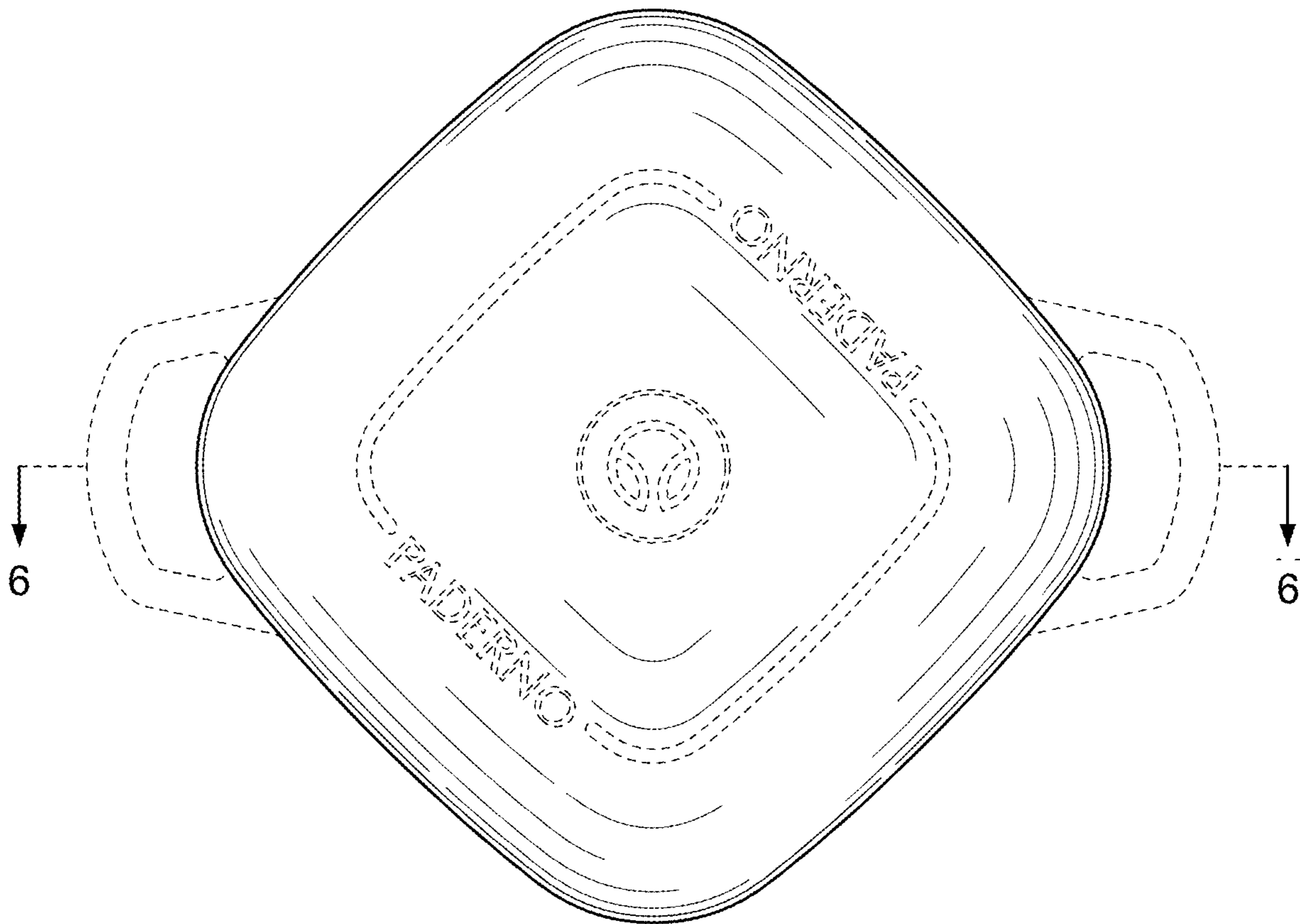


FIG. 3

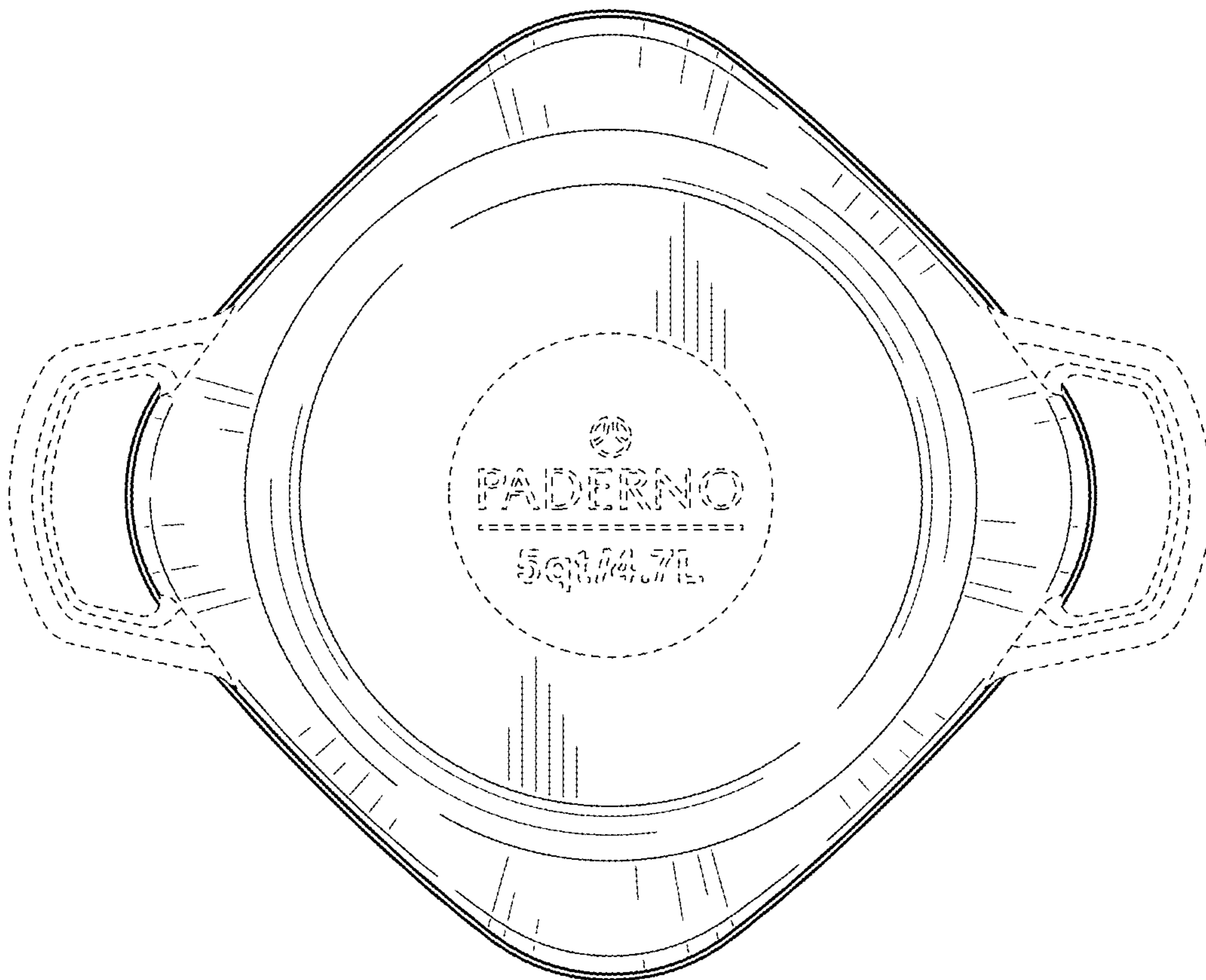


FIG. 4



FIG. 5

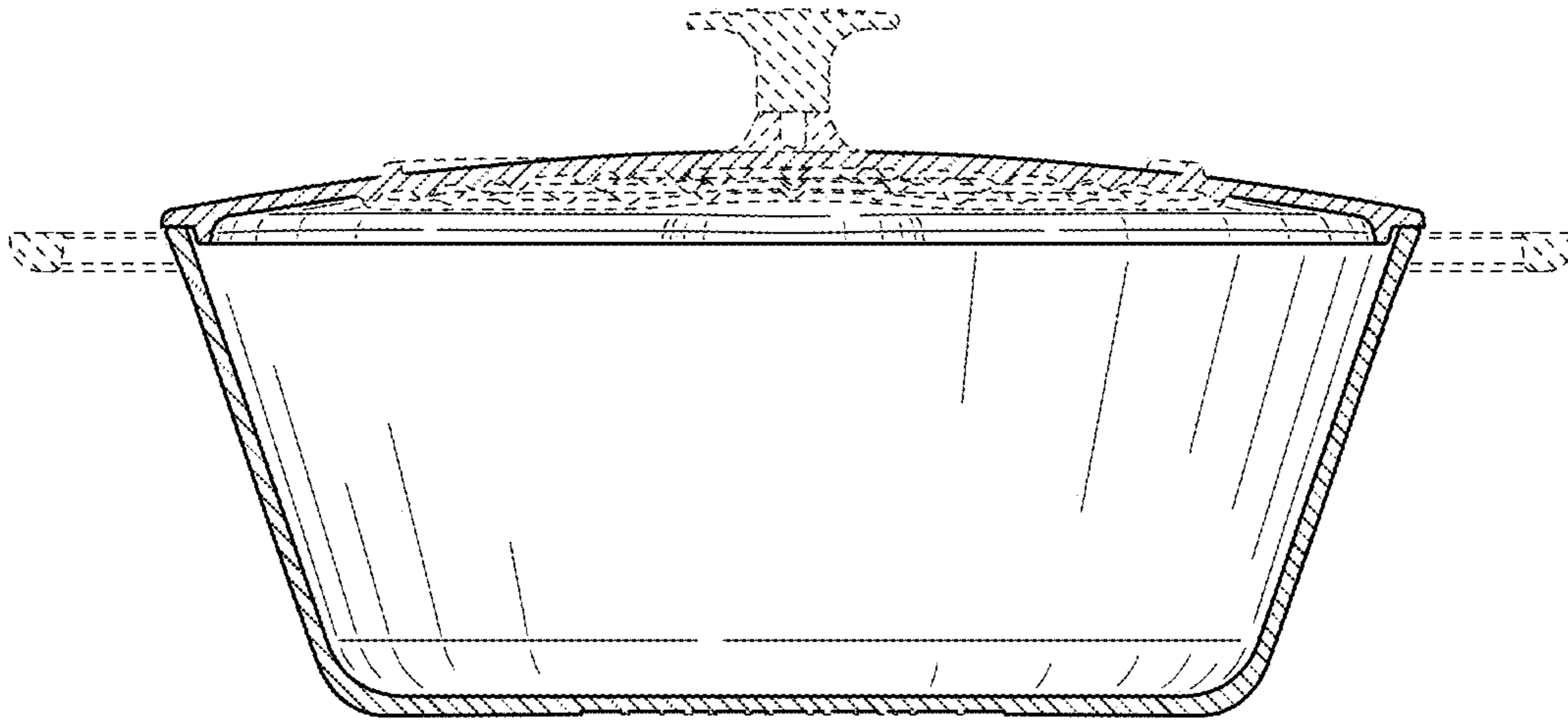


FIG. 6

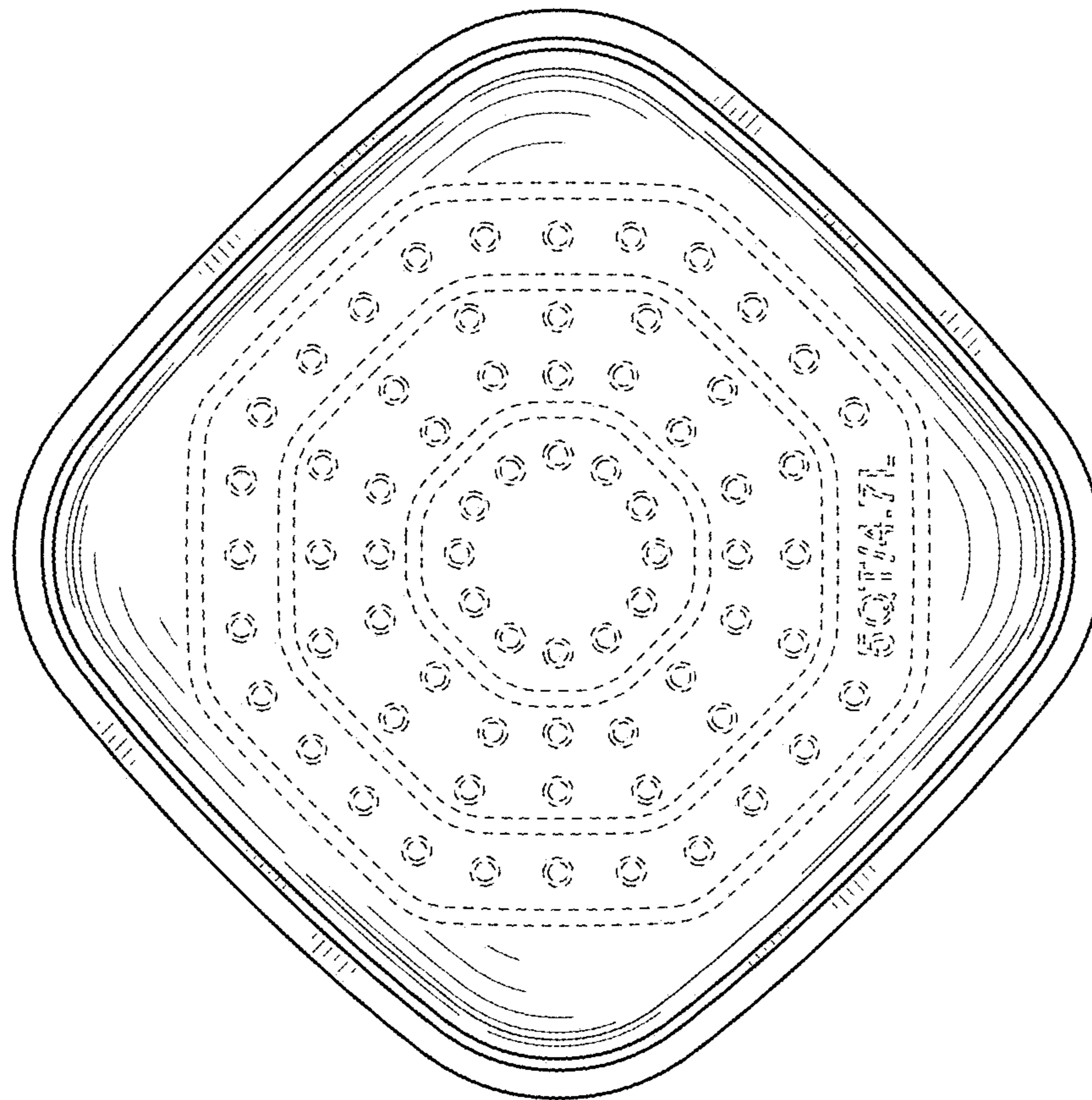


FIG. 7