



US00D931031S

(12) **United States Design Patent** (10) **Patent No.:** **US D931,031 S**  
**Fung et al.** (45) **Date of Patent:** **\*\* Sep. 21, 2021**

(54) **SMART OVEN**  
(71) Applicant: **SMART PRODUCT CONCEPTS LIMITED**, Kowloon (HK)  
(72) Inventors: **Mark Fung**, Kowloon (HK); **Lars Junker**, Hong Kong (HK)  
(73) Assignee: **SMART PRODUCT CONCEPTS LIMITED**, Kowloon (HK)  
(\*\*) Term: **15 Years**  
(21) Appl. No.: **29/717,807**  
(22) Filed: **Dec. 19, 2019**  
(30) **Foreign Application Priority Data**  
Nov. 7, 2019 (EM) ..... 007199658-0001  
(51) **LOC (13) Cl.** ..... **07-02**  
(52) **U.S. Cl.**  
USPC ..... **D7/350.1**  
(58) **Field of Classification Search**  
USPC ..... D7/323, 328, 329, 330, 332, 334, 337, D7/339, 347, 348, 349, 350.1, 350.2, D7/350.3, 350.4, 351, 402, 405  
CPC ..... A47J 37/00; A47J 37/206; A47J 37/0605; A47J 37/0623; A47J 37/0629; A47J 37/0641; A47J 37/0647; A47J 37/0664; A47J 37/0658; A47J 37/067; A47J 37/07; A47J 37/08; A47J 37/0807  
See application file for complete search history.

(56) **References Cited**  
**U.S. PATENT DOCUMENTS**  
D663,156 S \* 7/2012 Curtis ..... D7/350.1  
D802,996 S \* 11/2017 Bhogal ..... D7/405  
D839,039 S \* 1/2019 Marsh-Croft ..... D7/350.1  
D842,639 S \* 3/2019 Yuan ..... D7/350.1

D859,907 S \* 9/2019 Morenstein ..... A47J 37/0635 D7/350.1  
D903,398 S \* 12/2020 Bhogal ..... D7/350.1  
D910,362 S \* 2/2021 Li ..... D7/350.1  
11,047,578 B2 \* 6/2021 Clayton ..... A21B 1/40  
2015/0040774 A1 \* 2/2015 Fung ..... A47J 37/0635 99/337

**OTHER PUBLICATIONS**

Hamilton Beach 31190C Convection Countertop Toaster Oven, first available Jan. 25, 2019, Amazon, [online], [site visited Mar. 12, 2021], Available from internet URL: <https://www.amazon.com/Hamilton-Beach-Convection-Countertop-31190C/dp/B07N4QF1H8> (Year: 2019).\*  
June Life Smart Countertop Convection Oven, first available Jun. 11, 2019, Amazon, [online], [site visited Mar. 12, 2021], Available from internet URL: <https://www.amazon.com/June-countertop-convection-appliances-dehydrator/dp/B07XPQC2FW> (Year: 2019).\*

(Continued)

*Primary Examiner* — Mary Ann Calabrese  
*Assistant Examiner* — Natalya M Rapundalo  
(74) *Attorney, Agent, or Firm* — Berenato & White, LLC

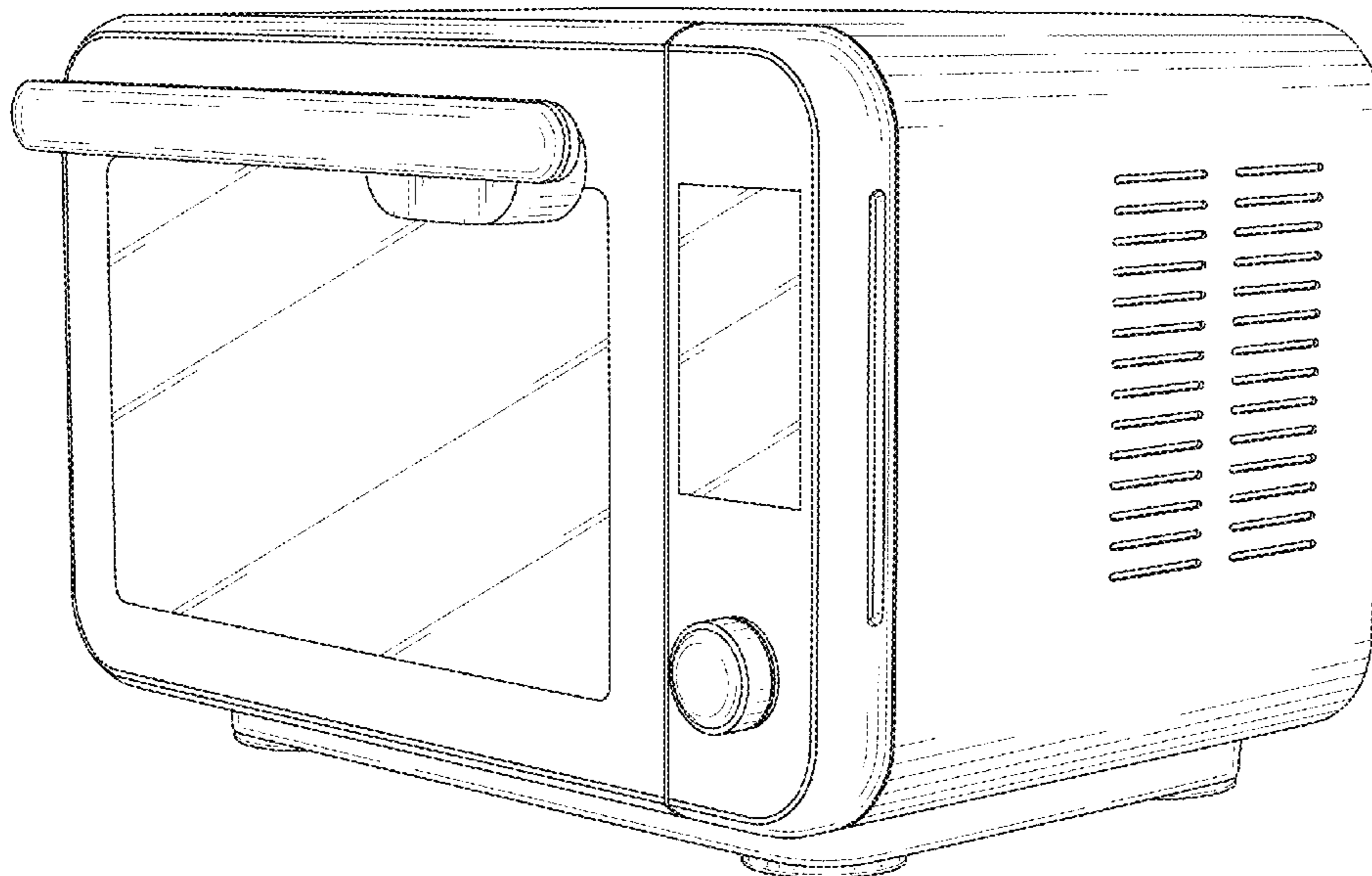
(57) **CLAIM**

The ornamental design for a smart oven, as shown and described.

**DESCRIPTION**

FIG. 1 is a front perspective view of our smart oven; FIG. 2 is a front elevational view; FIG. 3 is a rear elevational view; FIG. 4 is a right side elevational view; FIG. 5 is a left side elevational view; FIG. 6 is a top plan view; FIG. 7 is a bottom plan view; and, FIG. 8 is a rear perspective view.

**1 Claim, 8 Drawing Sheets**



(56)

**References Cited**

OTHER PUBLICATIONS

Design No. 305354487, Sep. 20, 2019—China National Intellectual Property Administration (CNIPA) Publication Date—Sep. 20, 2019 Owner—Guangdong Galanz Enterprises Co Ltd, Designer—Huang Xiao Peng WIPO, available at <https://www3.wipo.int/designdb/en/index.jsp> (Year: 2019).\*

Design No. 305541798, Jan. 10, 2020—China National Intellectual Property Administration (CNIPA) Publication Date—Jan. 10, 2020 Owner—Hong Kong Star International Co Ltd, Designer—Shi Luode WIPO, available at <https://www3.wipo.int/designdb/en/index.jsp> (Year: 2020).\*

Design No. 305847896, Jun. 16, 2020—China National Intellectual Property Administration (CNIPA) Publication Date—Jun. 16, 2020 Owner—Harbour Star International Ltd, Designer—Shi Luode WIPO, available at <https://www3.wipo.int/designdb/en/index.jsp> (Year: 2020).\* Smart Oven, Smart Product Concepts, [online], [site visited Mar. 12, 2021], Available from internet URL: <https://www.spconcepts.net/odm> (Year: 2021).\*

\* cited by examiner

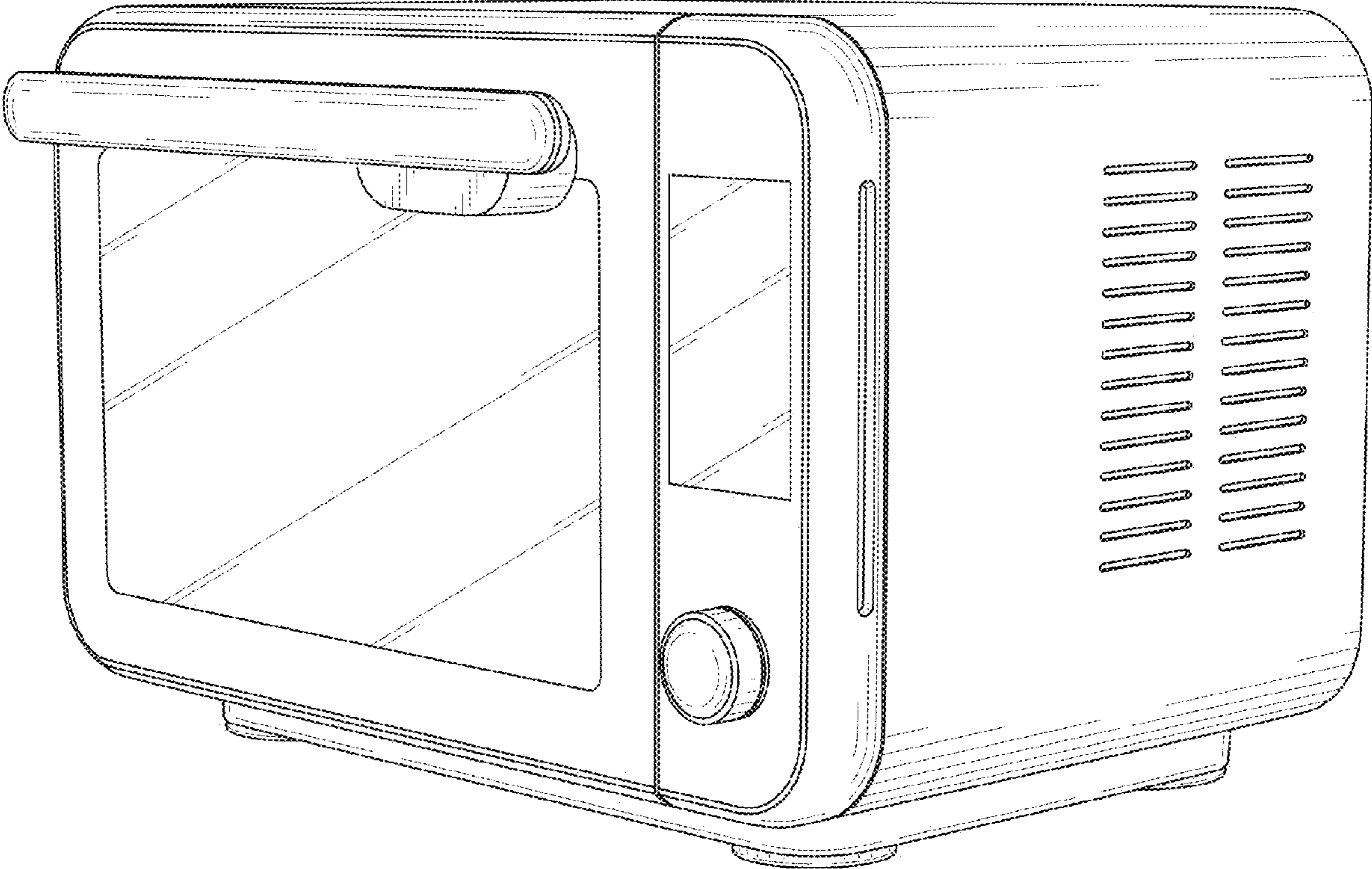


FIG. 1

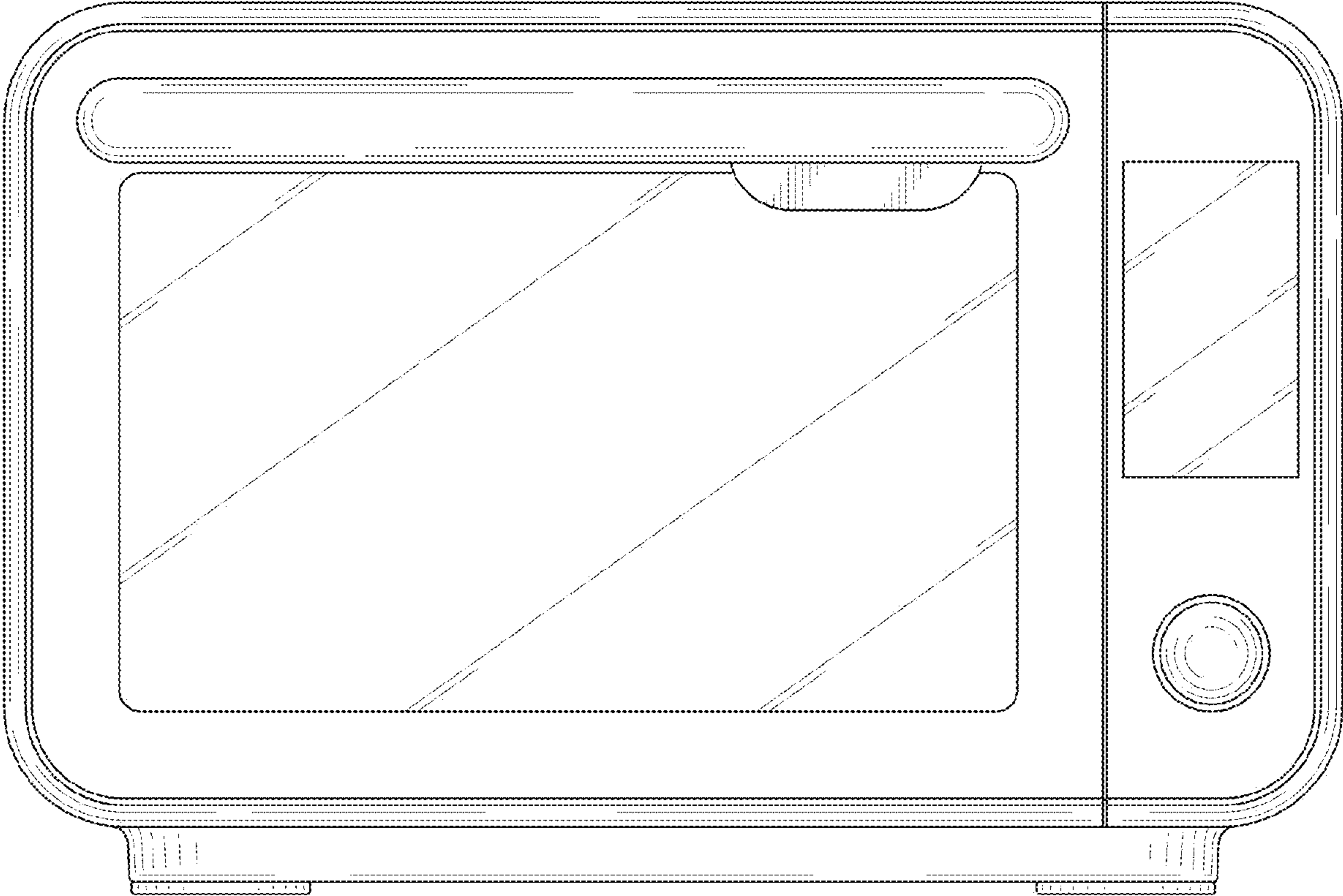


FIG. 2

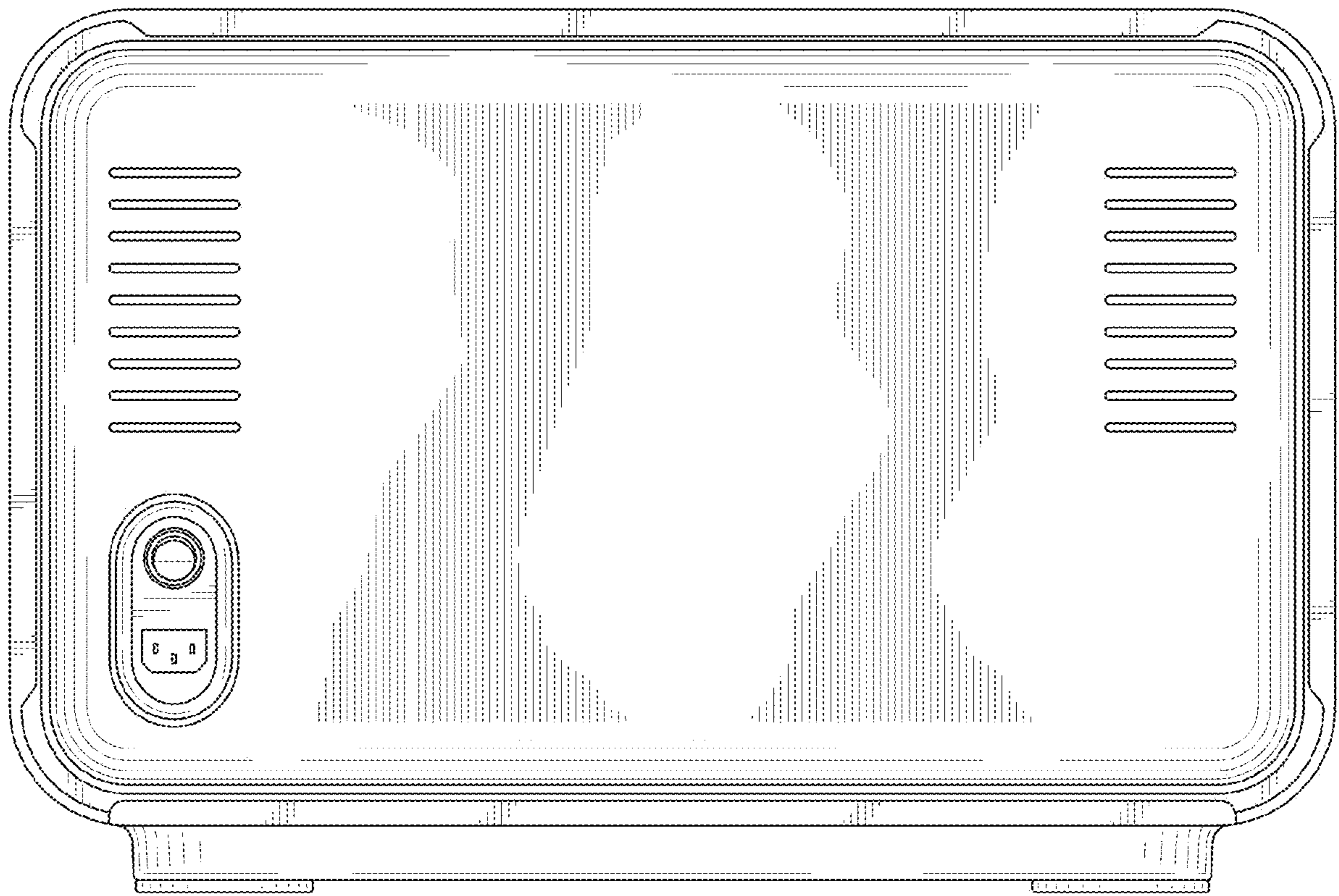


FIG. 3

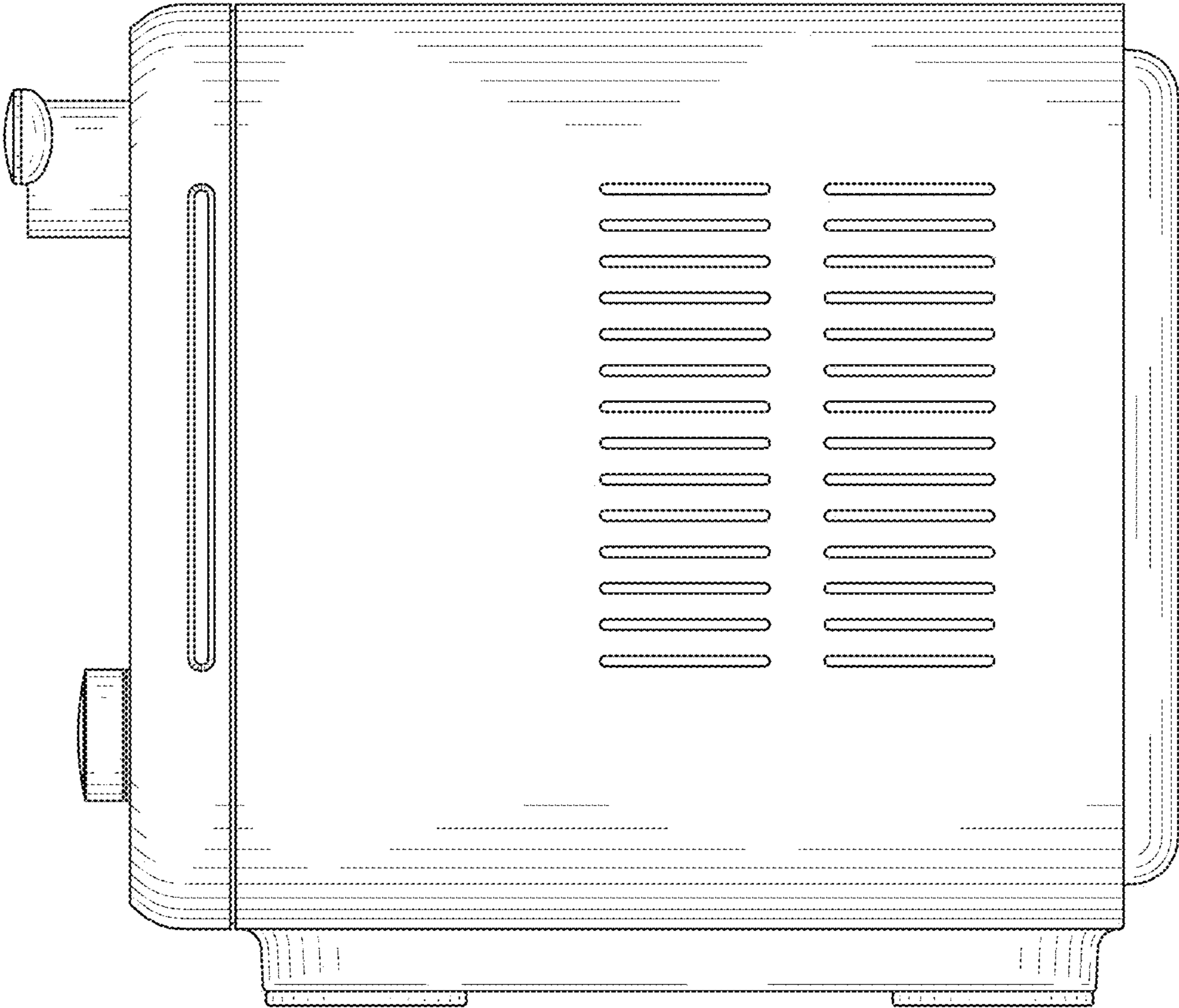


FIG. 4

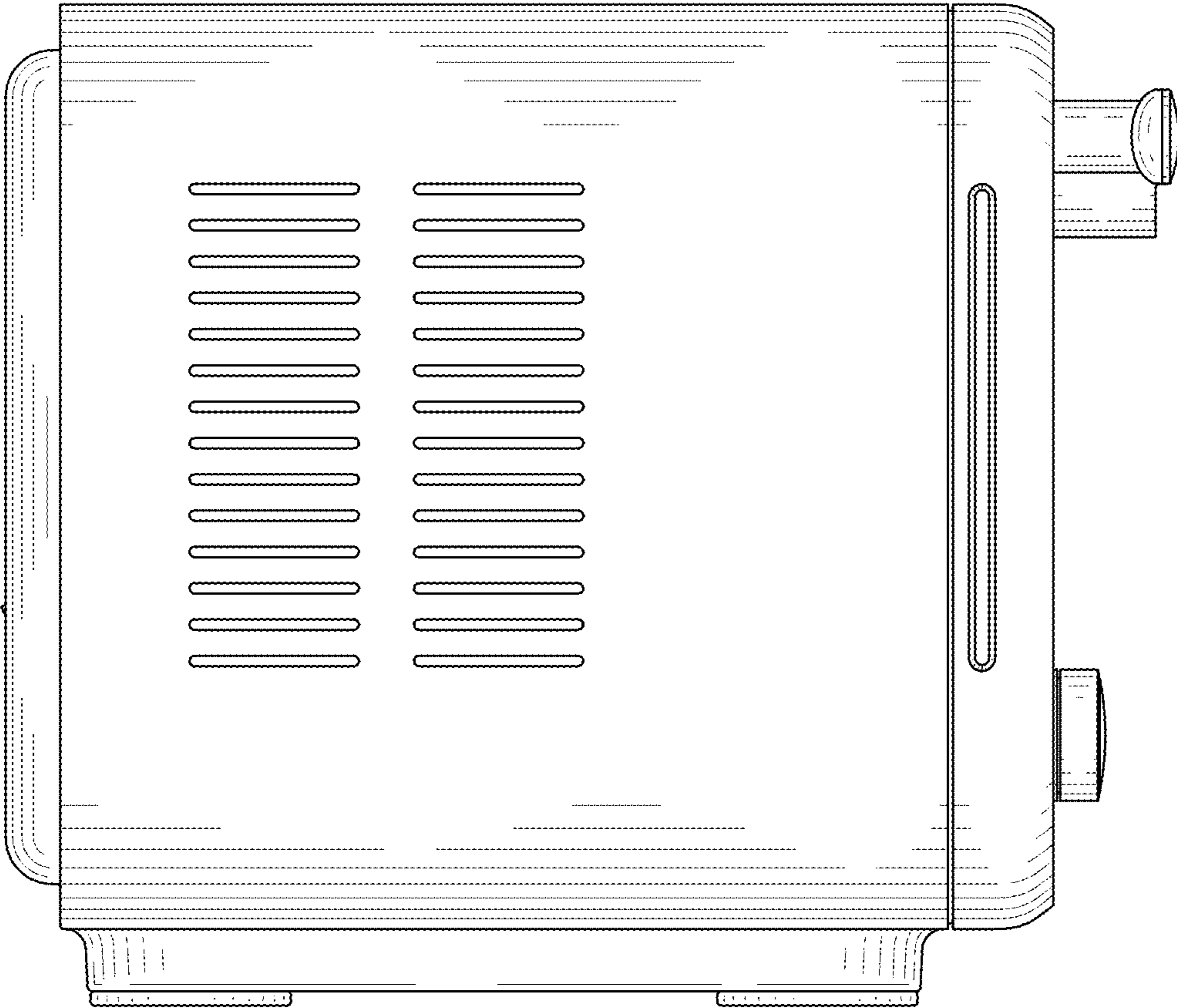


FIG. 5

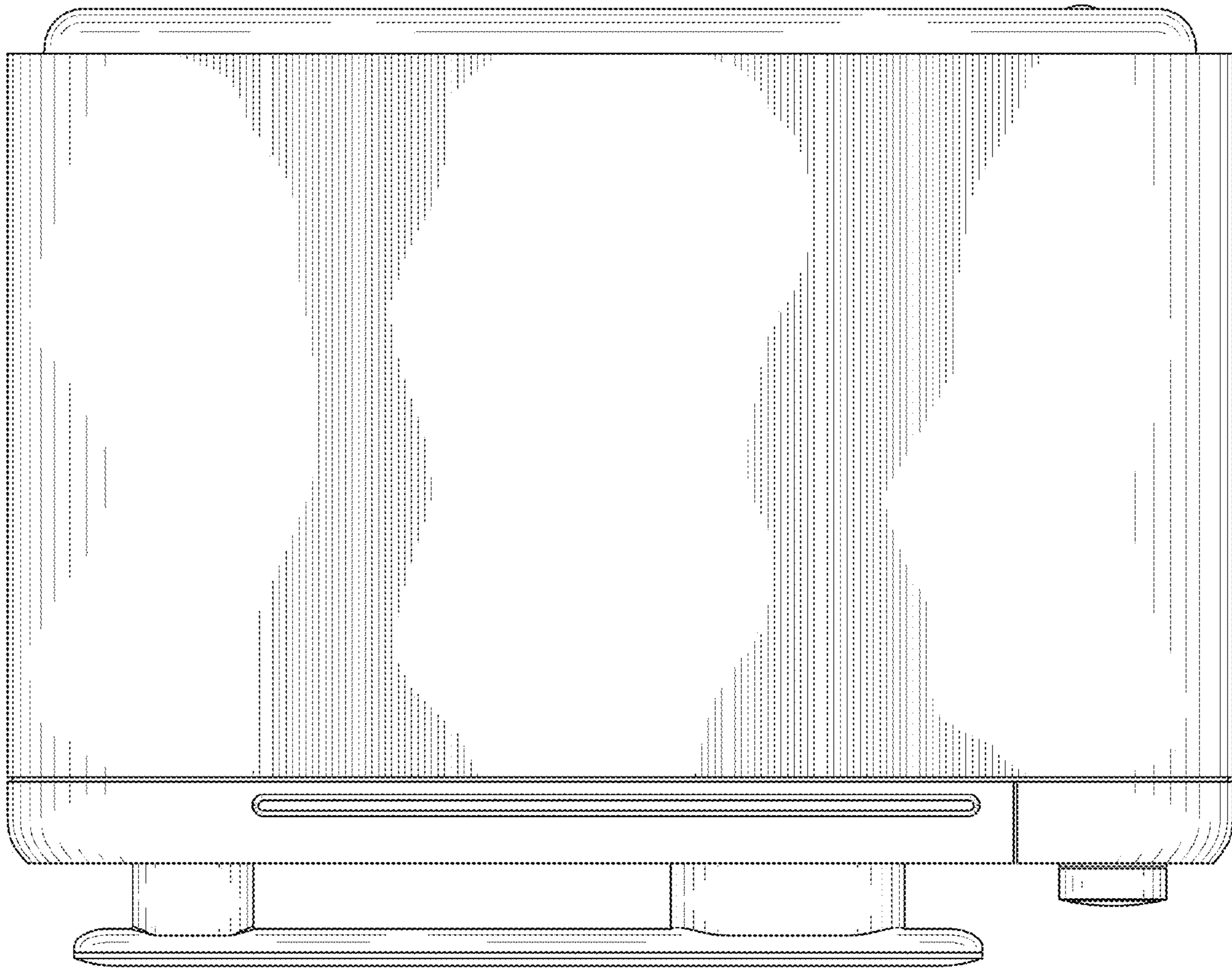


FIG. 6



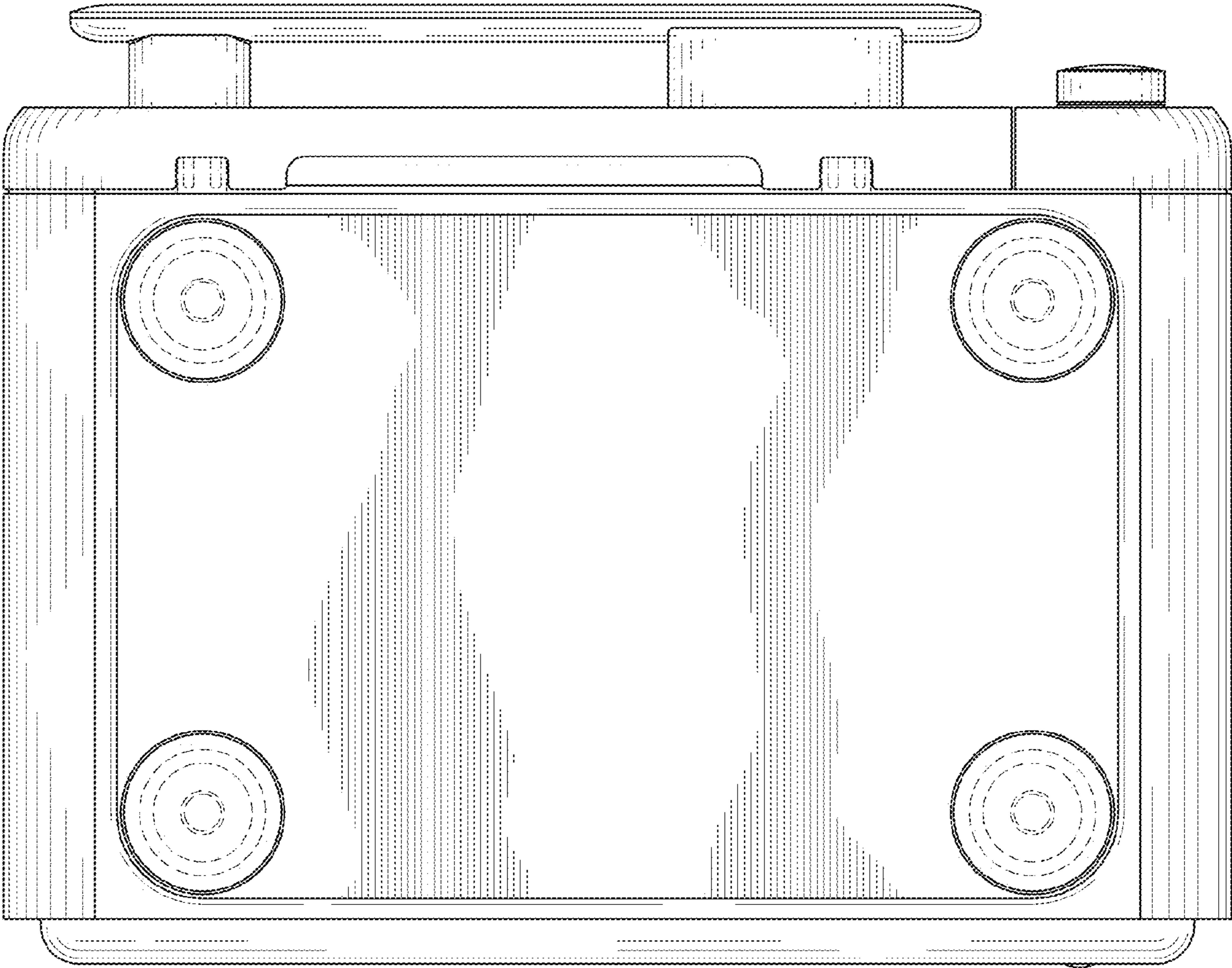


FIG. 7

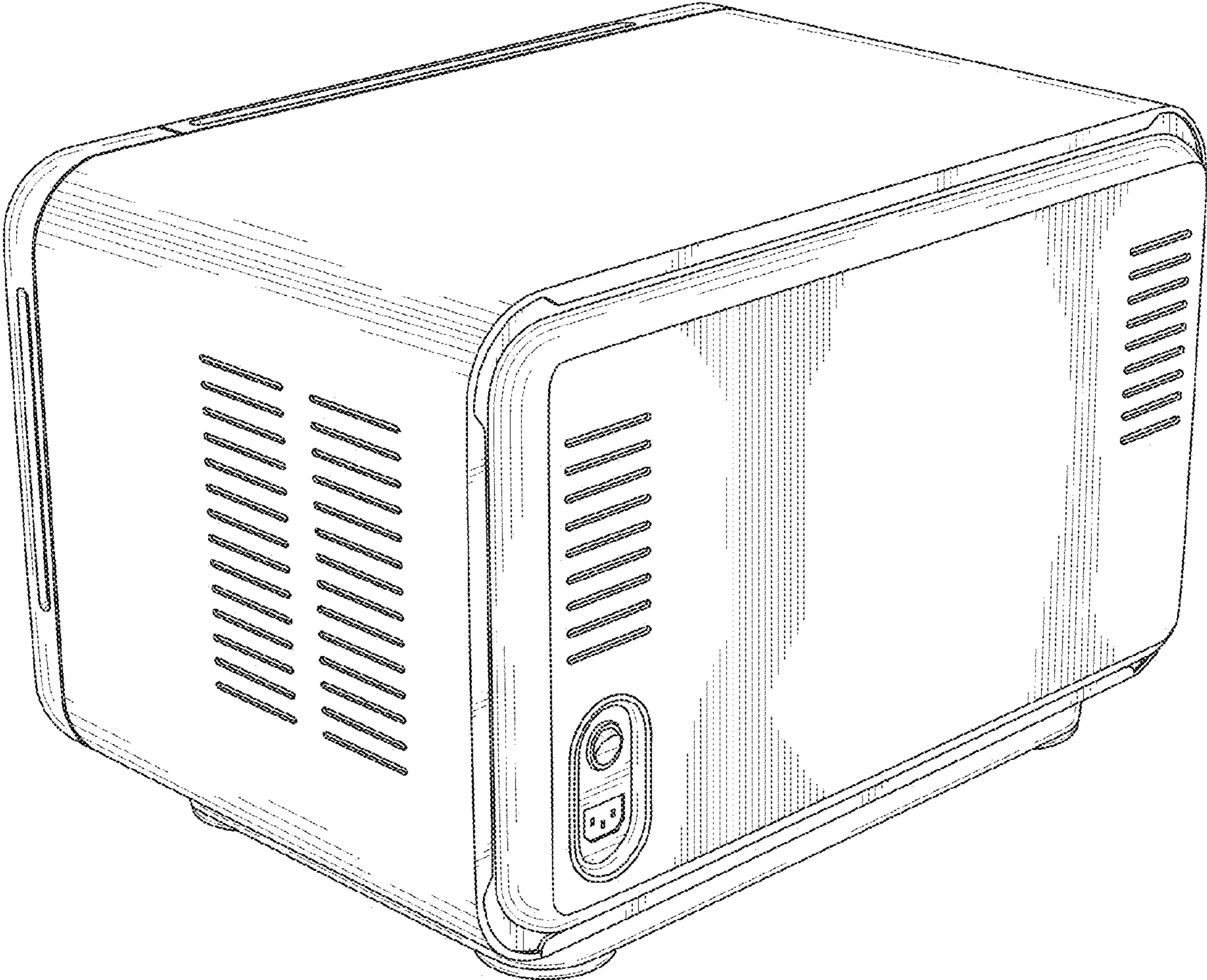


FIG. 8