



US00D931029S

(12) **United States Design Patent**
Gozney

(10) **Patent No.:** **US D931,029 S**

(45) **Date of Patent:** **** Sep. 21, 2021**

- (54) **PIZZA OVEN**
- (71) Applicant: **Gozney Group Ltd.**, Christchurch (GB)
- (72) Inventor: **Thomas Robert Gozney**, Christchurch (GB)
- (**) Term: **15 Years**
- (21) Appl. No.: **29/686,621**
- (22) Filed: **Apr. 5, 2019**
- (51) **LOC (13) Cl.** **07-02**
- (52) **U.S. Cl.**
USPC **D7/348; D7/332**
- (58) **Field of Classification Search**
USPC D7/332-338, 402-409, 355, 356, 360, D7/362, 364, 365, 366, 363, 352, 339, D7/347, 348; D23/343, 348, 332, 335, D23/314, 345, 415, 350; D3/294-296, D3/276, 905
CPC A47J 37/07-0763; A47J 37/0781; A47J 37/0786; A47J 2037/0777; A47J 33/00; A47J 2201/00; A47J 37/0623; F24C 3/14; F24C 1/16; F24C 5/20; F24B 1/181; F24B 1/19; F24B 1/195; F24B 1/00; F24B 1/202-207; F24B 3/00; F23B 20/00
See application file for complete search history.

D642,855 S *	8/2011	de Paula	D7/333
D775,489 S *	1/2017	Zemel	D7/332
D820,026 S *	6/2018	Russo Krauss	D7/339
D880,217 S *	4/2020	Tseng	D7/348
D887,767 S *	6/2020	Huang	D7/339
2007/0221191 A1 *	9/2007	O'Brien	A47J 37/0713 126/25 R
2018/0213973 A1 *	8/2018	Tapaninaho	F24B 1/24

FOREIGN PATENT DOCUMENTS

FR	2392641 A1 *	12/1978	A47J 37/0759
FR	884850-001	*	7/1988	
FR	2625075 A1 *	6/1989	F24B 1/202
GB	5002187	*	3/2016	

* cited by examiner

Primary Examiner — Brett Miller

(74) *Attorney, Agent, or Firm* — Donn K. Harms

(57) **CLAIM**

The ornamental design for a pizza oven, as shown and described.

DESCRIPTION

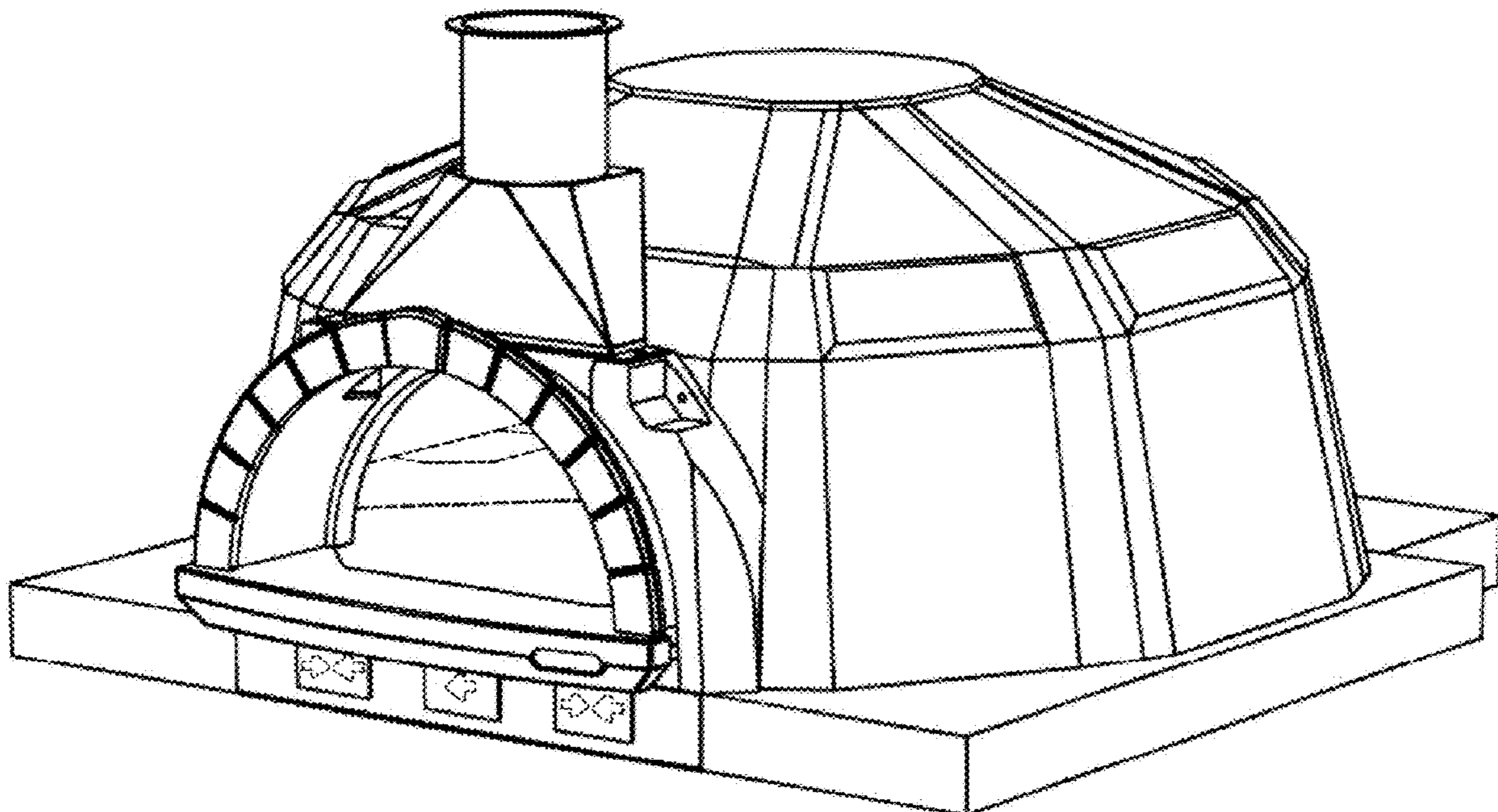
FIG. 1 is a top, front perspective view of a pizza oven showing my new design;
 FIG. 2 is a right side view thereof;
 FIG. 3 is a left side view thereof;
 FIG. 4 is a front side view thereof;
 FIG. 5 is a rear side view thereof;
 FIG. 6 is a top view thereof; and,
 FIG. 7 is a bottom view thereof.
 The broken lines depict portions of the pizza oven that form no part of the claimed invention.

1 Claim, 4 Drawing Sheets

(56) **References Cited**

U.S. PATENT DOCUMENTS

4,182,305 A *	1/1980	Johnson	F24B 1/181 126/515
D263,864 S *	4/1982	Dillon	D23/350
D483,603 S *	12/2003	Minidis	D7/348
D571,601 S *	6/2008	Kolar	D7/333
D640,499 S *	6/2011	King	D7/348



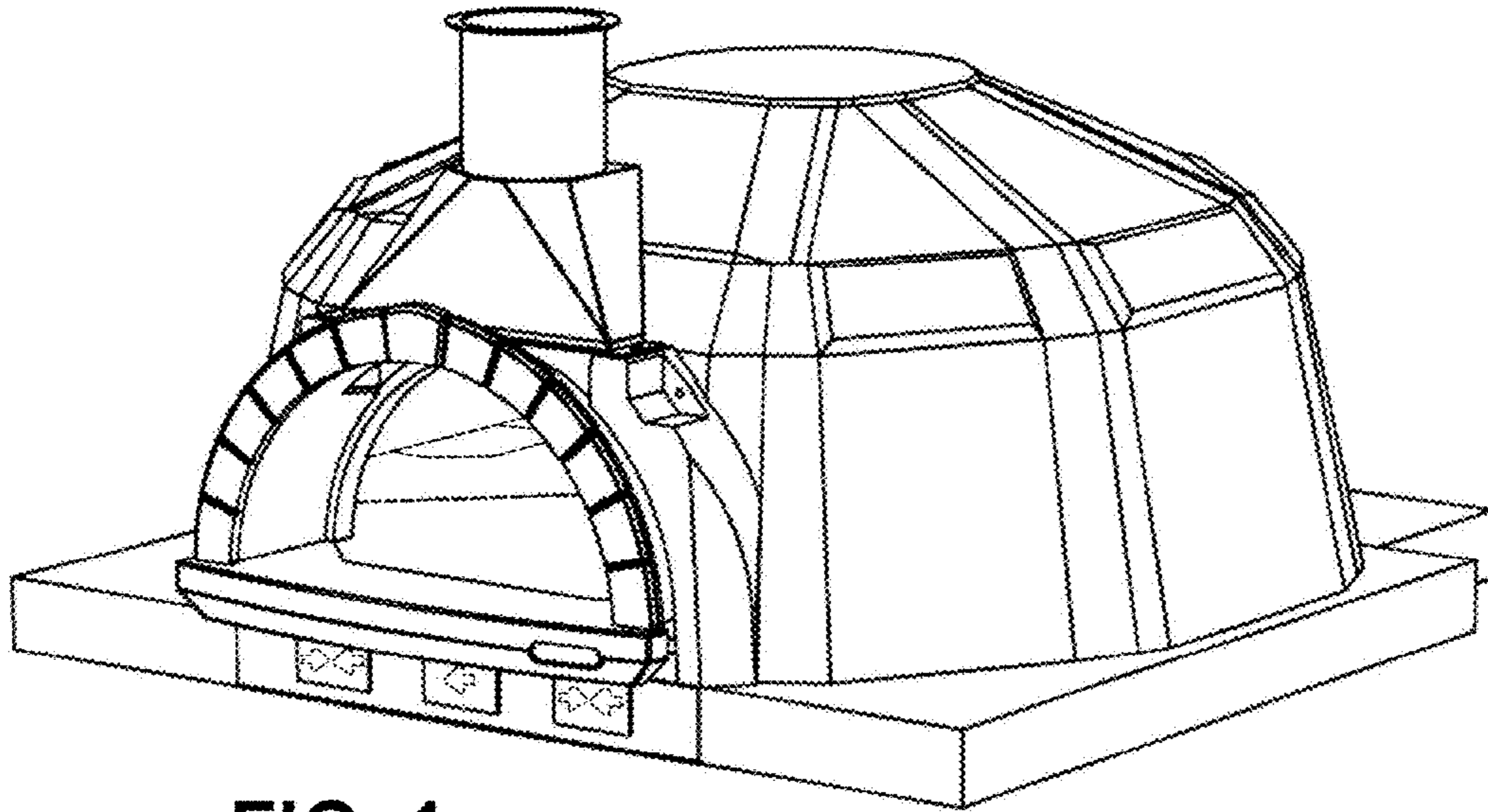


FIG. 1

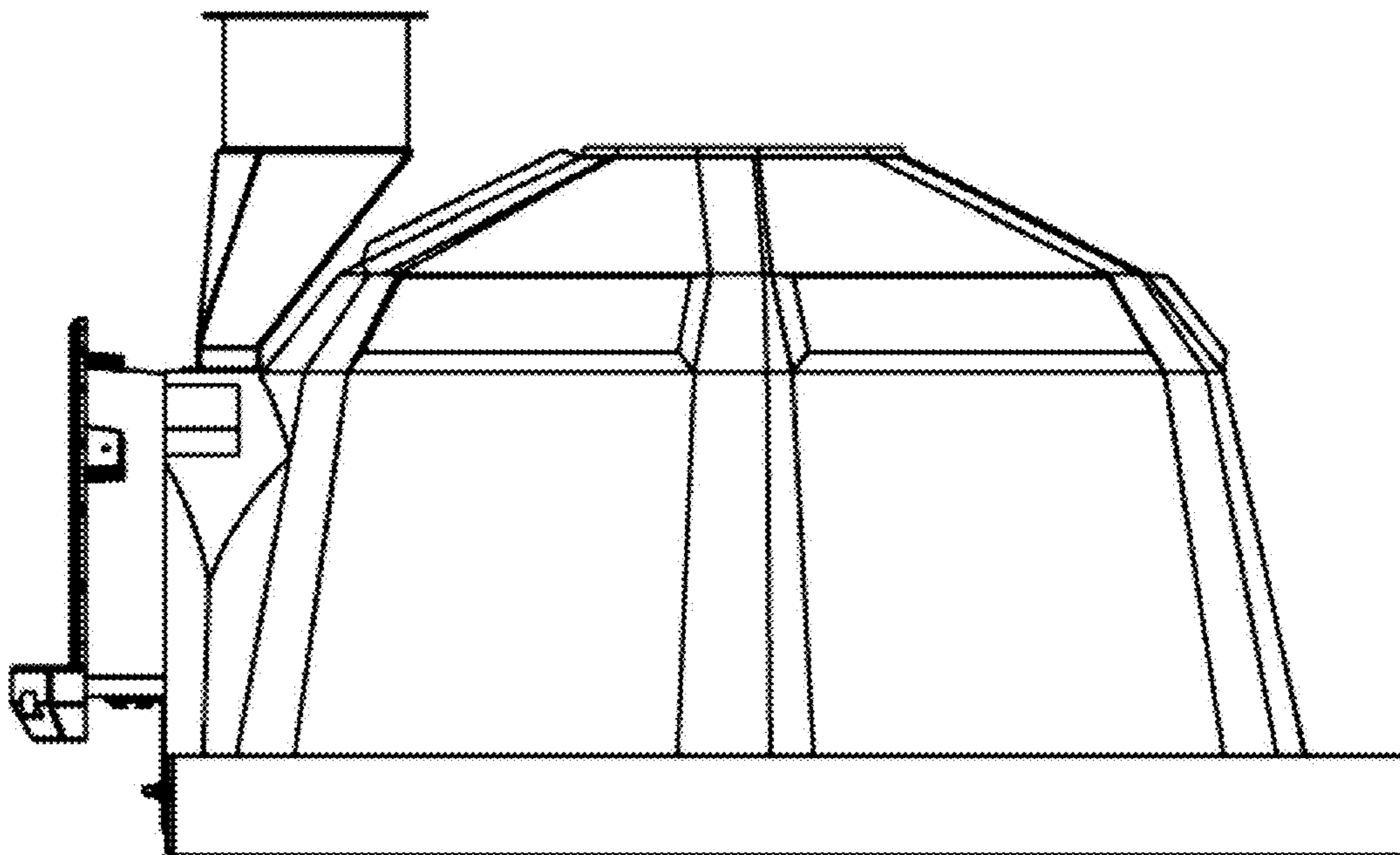


FIG. 2

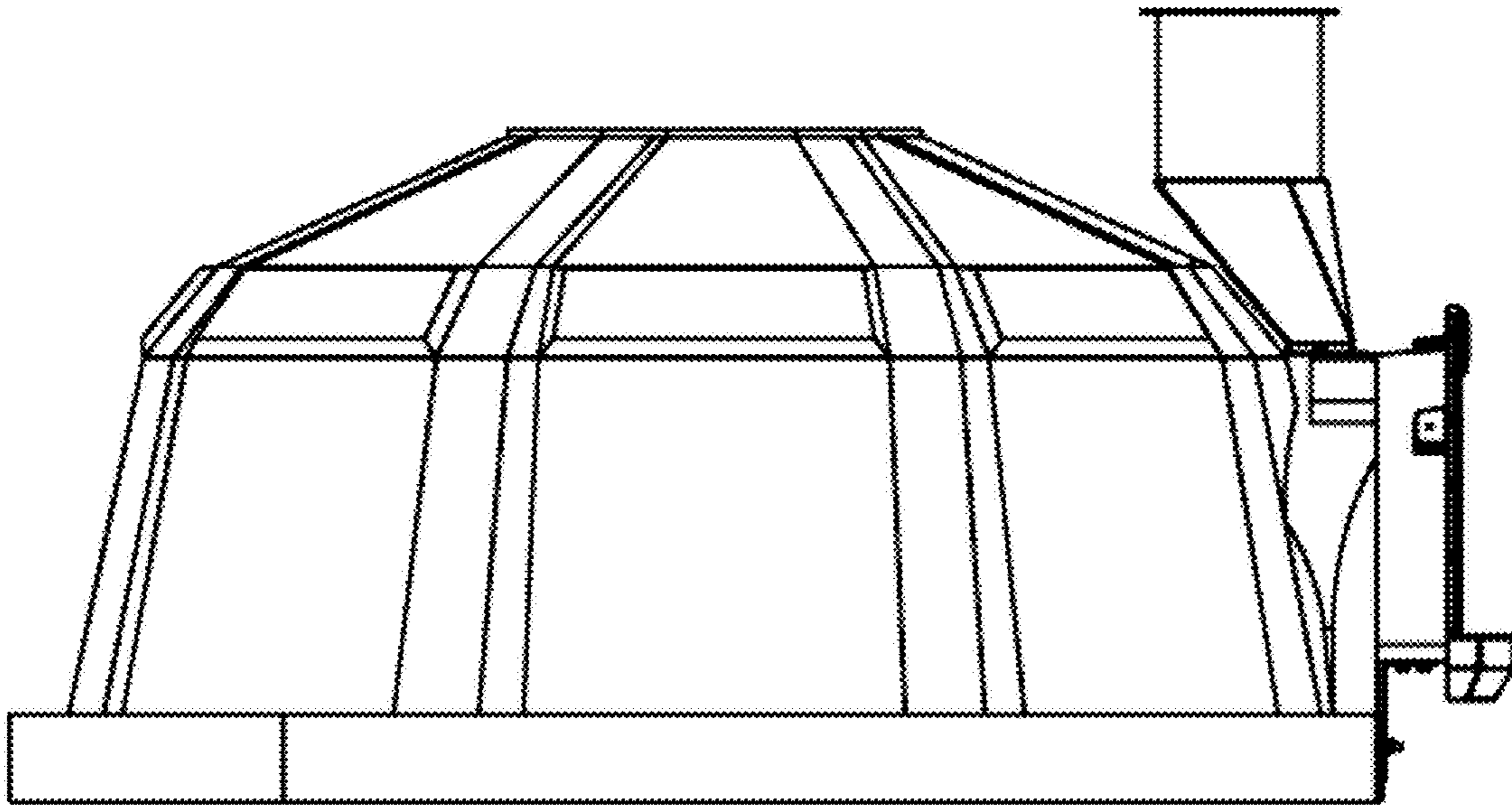


FIG. 3

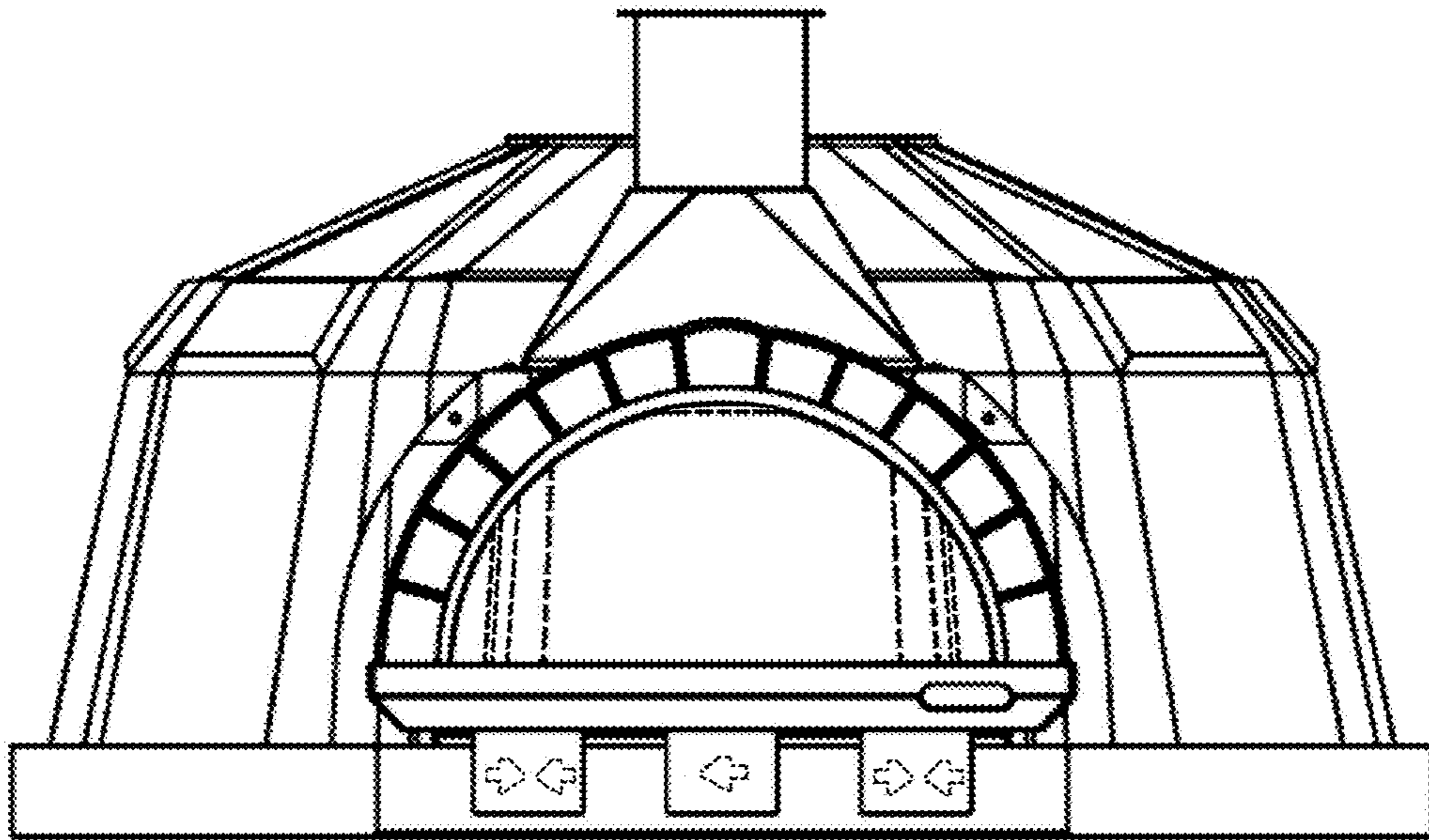


FIG. 4

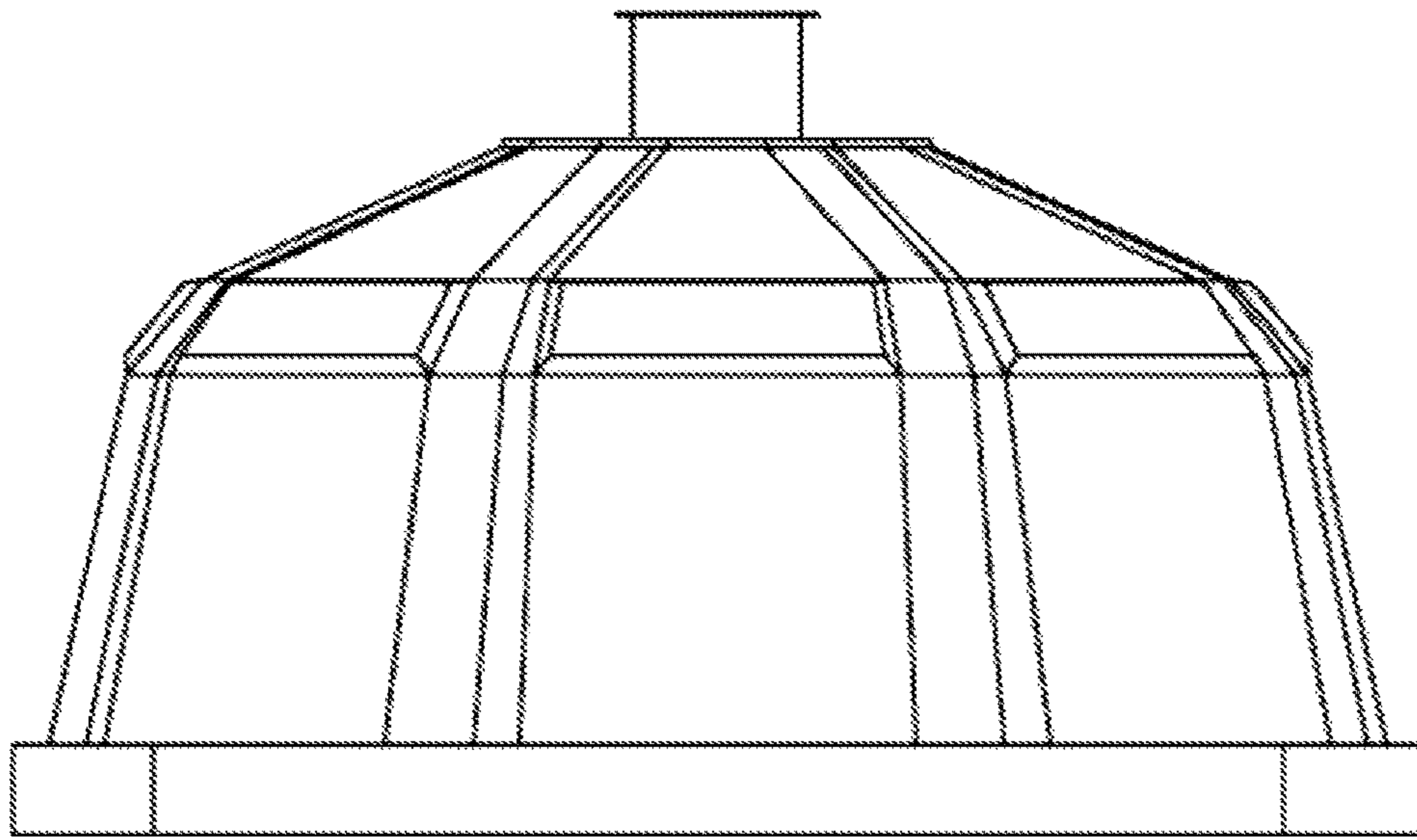


FIG. 5

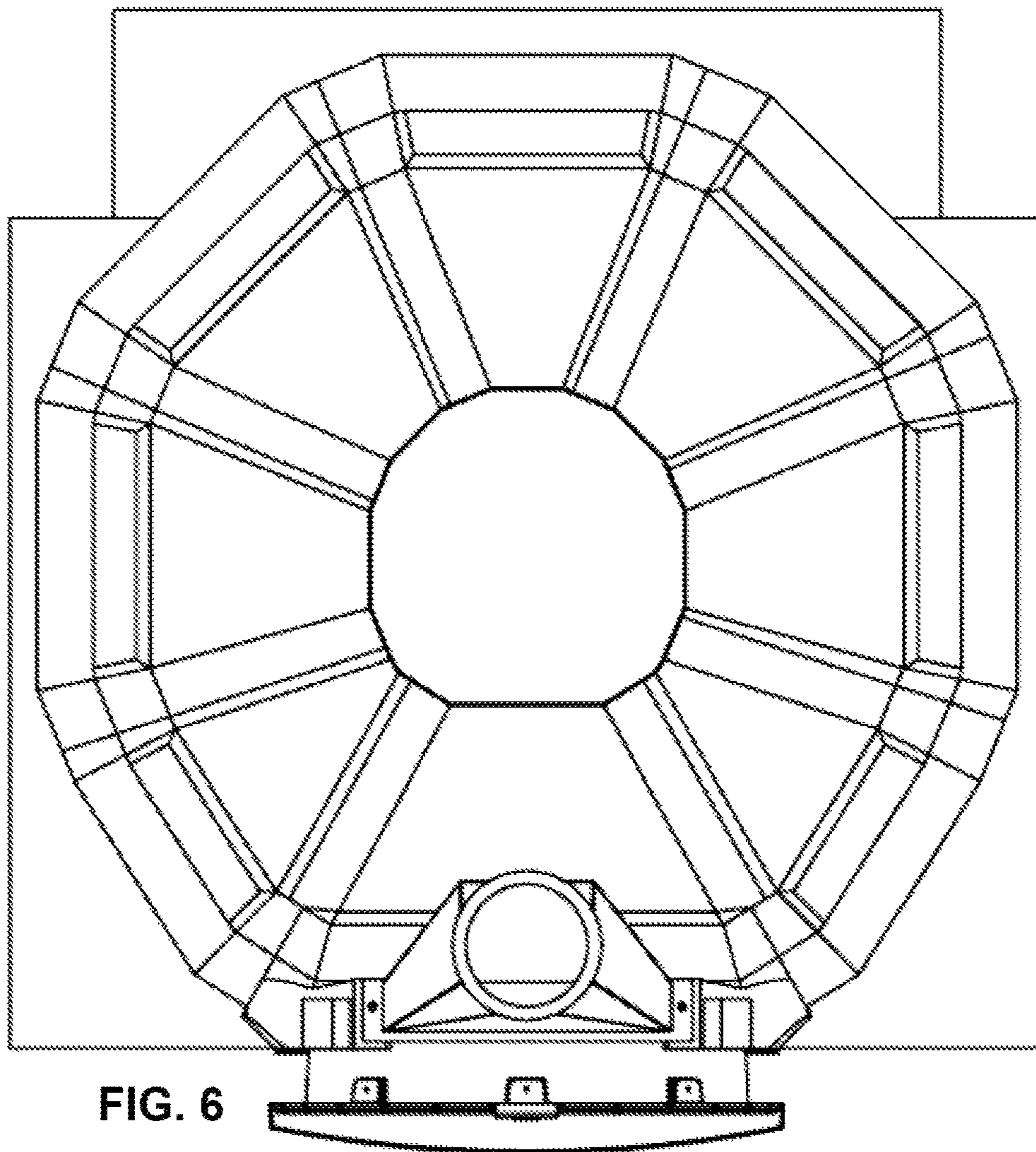


FIG. 6

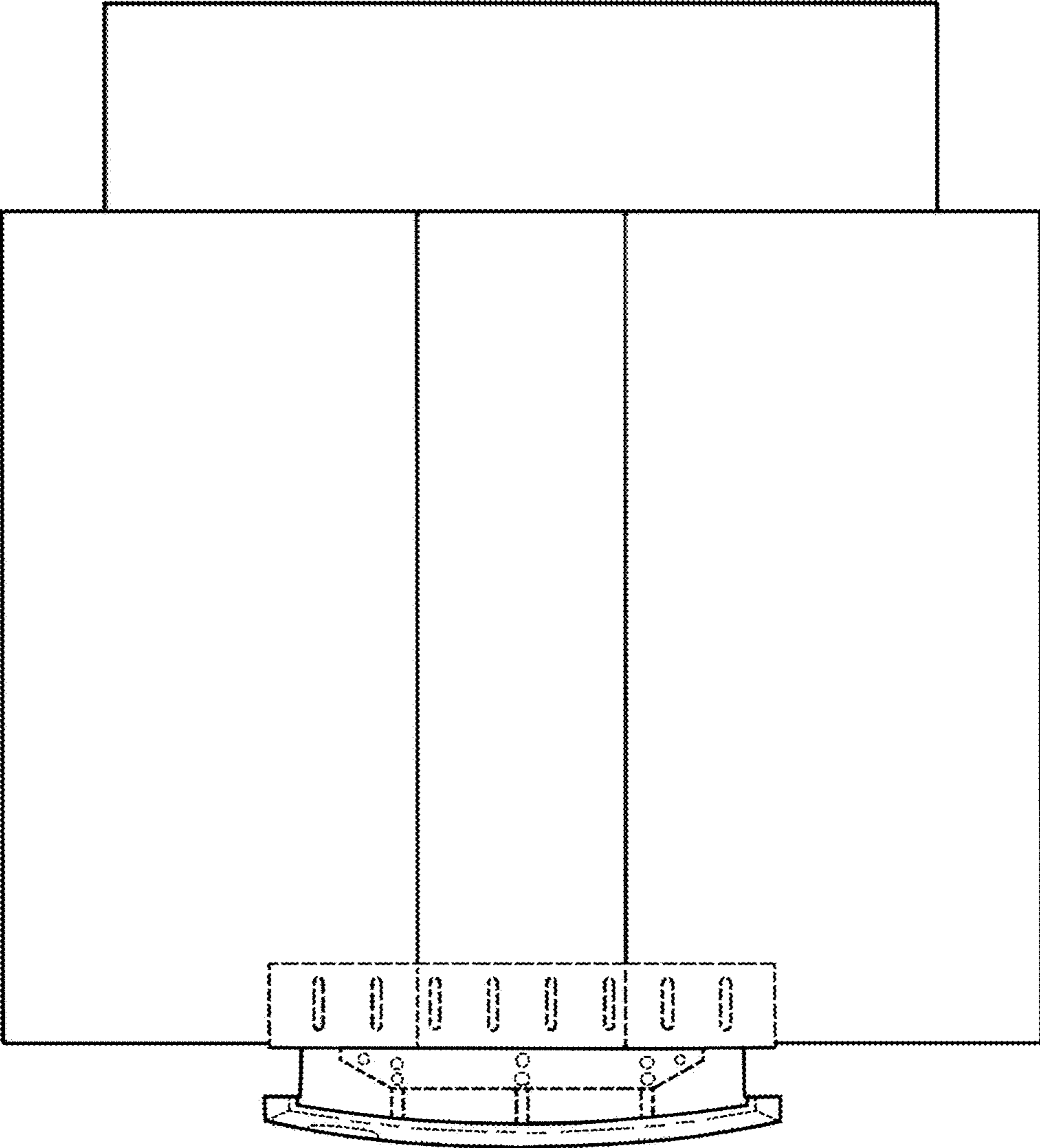


FIG. 7