



US00D931028S

(12) **United States Design Patent** (10) **Patent No.:** **US D931,028 S**
Dutruel (45) **Date of Patent:** **** Sep. 21, 2021**

(54) **COFFEE MACHINE**

D728,986 S * 5/2015 De'Longhi D7/309
D728,988 S * 5/2015 Warburton D7/309
D730,674 S * 6/2015 De'Longhi A47J 31/3628
D7/309

(71) Applicant: **GROUPE SEB MOULINEX**, Ecully (FR)

(Continued)

(72) Inventor: **Laurent Dutruel**, Sommieres (FR)

FOREIGN PATENT DOCUMENTS

(73) Assignee: **GROUPE SEB MOULINEX**, Ecully (FR)

CH 144565-0001 * 4/2019
CN 301858331 * 3/2012

(Continued)

(**) Term: **15 Years**

OTHER PUBLICATIONS

(21) Appl. No.: **29/692,613**

Davies, Chris, "Starbucks Verismo V Brewer Review: Can pods convert a coffee snob?" Oct. 19, 2016, SlashGear, www.slashgear.com/starbucks-verismo-v-brewer-review-can-pods-convert-a-coffee-snob-19460572/ (Year: 2016).*

(22) Filed: **May 28, 2019**

(Continued)

(30) **Foreign Application Priority Data**

Nov. 27, 2018 (EM) 005835808-0001

(51) **LOC (13) Cl.** **07-02**

(52) **U.S. Cl.**
USPC **D7/309**

(58) **Field of Classification Search**
USPC D7/213, 300, 305-313, 367, 386, 387, D7/397-400, 665; D15/80, 82; D23/207
CPC B67D 3/00; B67D 1/04; B67D 1/0021; B67D 1/0085; B67D 1/0086; B67D 1/0089; B67D 1/0857; B67D 2001/0087; A47J 31/00; A47J 31/0573; A47J 31/18; A47J 31/36; A47J 31/3633; A47J 31/407; A47J 31/44; A47J 31/4403; A47J 31/46; A47J 31/50; A47J 31/52; A47J 27/04; A47J 2203/00; B65D 83/00; B65D 35/14; B65D 35/36; B65D 35/46; A23F 5/262
See application file for complete search history.

Primary Examiner — Shannon W Morgan

Assistant Examiner — Arva P Adams

(74) *Attorney, Agent, or Firm* — Loeb & Loeb, LLP

(57) **CLAIM**

The ornamental design for a coffee machine, as shown and described.

DESCRIPTION

FIG. 1 is a perspective view of a coffee machine showing my new design;

FIG. 2 is a front elevational view thereof

FIG. 3 is a back elevational view thereof;

FIG. 4 is a right side elevational view thereof;

FIG. 5 is a left side elevational view thereof;

FIG. 6 is a top view thereof; and,

FIG. 7 is a bottom view thereof.

The dash lines are shown for the purpose of illustrating parts of the coffee machine that form no part of the claimed design.

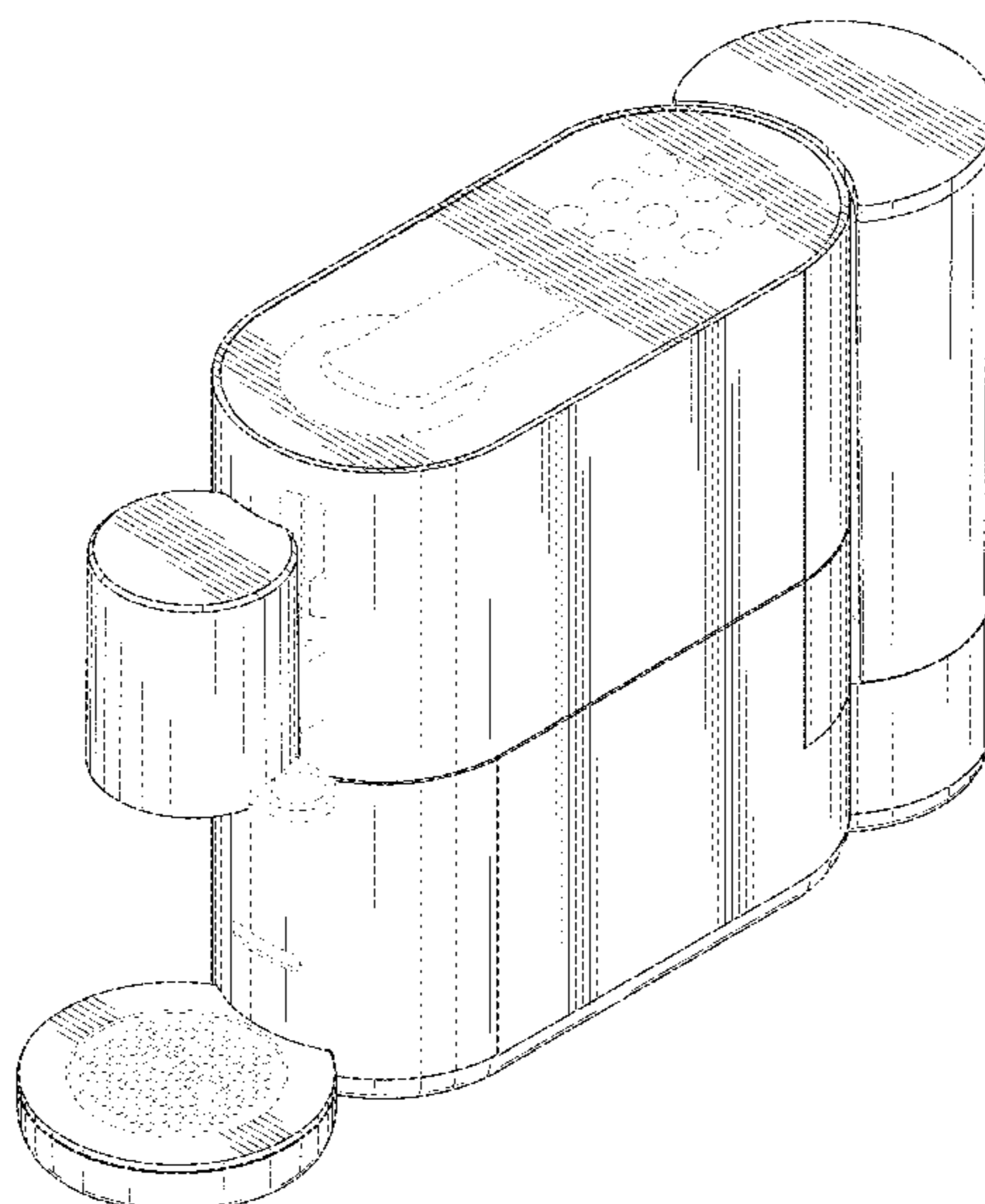
The dot dash lines are for the purpose of illustrating the bounds of the claim and form no part thereof.

(56) **References Cited**

U.S. PATENT DOCUMENTS

D695,054 S * 12/2013 Pra D7/309
D718,565 S * 12/2014 Spagnolo D7/309

1 Claim, 7 Drawing Sheets



(56)

References Cited

U.S. PATENT DOCUMENTS

D755,000 S *	5/2016	Lovati	D7/306
D777,498 S *	1/2017	Bandixen	D7/306
D831,398 S *	10/2018	Cahen	B67D 1/0888 D7/306
D836,371 S *	12/2018	Cahen	H05B 6/108 D7/306
D838,532 S *	1/2019	Seidl	B67D 1/0895 D7/311
D841,383 S *	2/2019	Warburton	B67D 1/0864 D7/306
D862,143 S *	10/2019	Stefanoni	B67D 1/0855 D7/309
D872,513 S *	1/2020	Kaplan	D7/306
D879,531 S *	3/2020	Cauwood	D7/306
D891,847 S *	8/2020	Seidl	D7/309
D894,661 S *	9/2020	Yin	B67D 1/07 D7/310
2010/0263550 A1 *	10/2010	Cahen	A47J 31/5253 99/323.1
2017/0050835 A1 *	2/2017	Moon	B67D 1/0895
2017/0050836 A1 *	2/2017	Yoon	B67D 1/0864
2017/0050837 A1 *	2/2017	Kim	B67D 1/0895
2017/0291807 A1 *	10/2017	Jeon	B67D 1/0855
2018/0002153 A1 *	1/2018	Kim	B67D 1/0888
2020/0307984 A1 *	10/2020	Kristlbauer	B67D 1/07
2020/0307985 A1 *	10/2020	Kristlbauer	A47J 31/3628
2021/0001368 A1 *	1/2021	Kim	B67D 1/0006
2021/0002121 A1 *	1/2021	Jang	A47J 31/4482

FOREIGN PATENT DOCUMENTS

CN	302786863	*	4/2014
CN	304215551	*	7/2017

GB	6009831	*	3/2017
GB	6061623	*	5/2019
IN	285083-0001	*	8/2017
JP	D1542100	*	1/2016
KR	300702505.0000	*	7/2013
KR	3009292640001	*	11/2017
RU	00103433	*	5/2017
RU	00103520	*	5/2017
RU	00116099	*	8/2019
WO	WO-D082273-001	*	5/2014

OTHER PUBLICATIONS

Tan, Trevor, "Nespresso Prodigio: The connected coffee machine," Jun. 15, 2016, The Straits Times, www.straitstimes.com/tech/nespresso-prodigio-the-connected-coffee-machine (Year: 2016).*

Breville and Nespresso, "My Machine," 2016, Product instruction manual, pp. 7-9 (Year: 2016).*

Denmead, Ken, "Geek Daily Deals Dec. 21, 2017: Nespresso Essenza Mini by Breville, Darling 'StarWars' Throw Pillow Covers," Dec. 21, 2017, GeekDad.com, <https://geekdad.com/2017/12/geek-daily-deals-dec-21-2017-nespresso-star-wars-pillows-2/> (Year: 2017).*

Espressotopia, "Espressotopia Caprista White Espresso Coffee Pod Machine," Reviewed Feb. 20, 2018, Walmart, www.walmart.com/ip/Espressotopia-Caprista-White-Espresso-Coffee-Pod-Machine/755827387 (Year: 2018).*

Nature Of Art, "ARISSTO Live Store in KL My Town," Jan. 20, 2018, Facebook.com, www.facebook.com/watch/?v=523100098058699 (Year: 2018).*

Nebraska Furniture Mart, "Keurig K-Duo Plus Single Serve Carafe Coffee Maker in Black," Reviewed 2019, NFM.com, www.nfm.com/keurig-k-duo-plus-single-serve-and-carafe-coffee-maker-in-black/57329476.html (Year: 2019).*

* cited by examiner

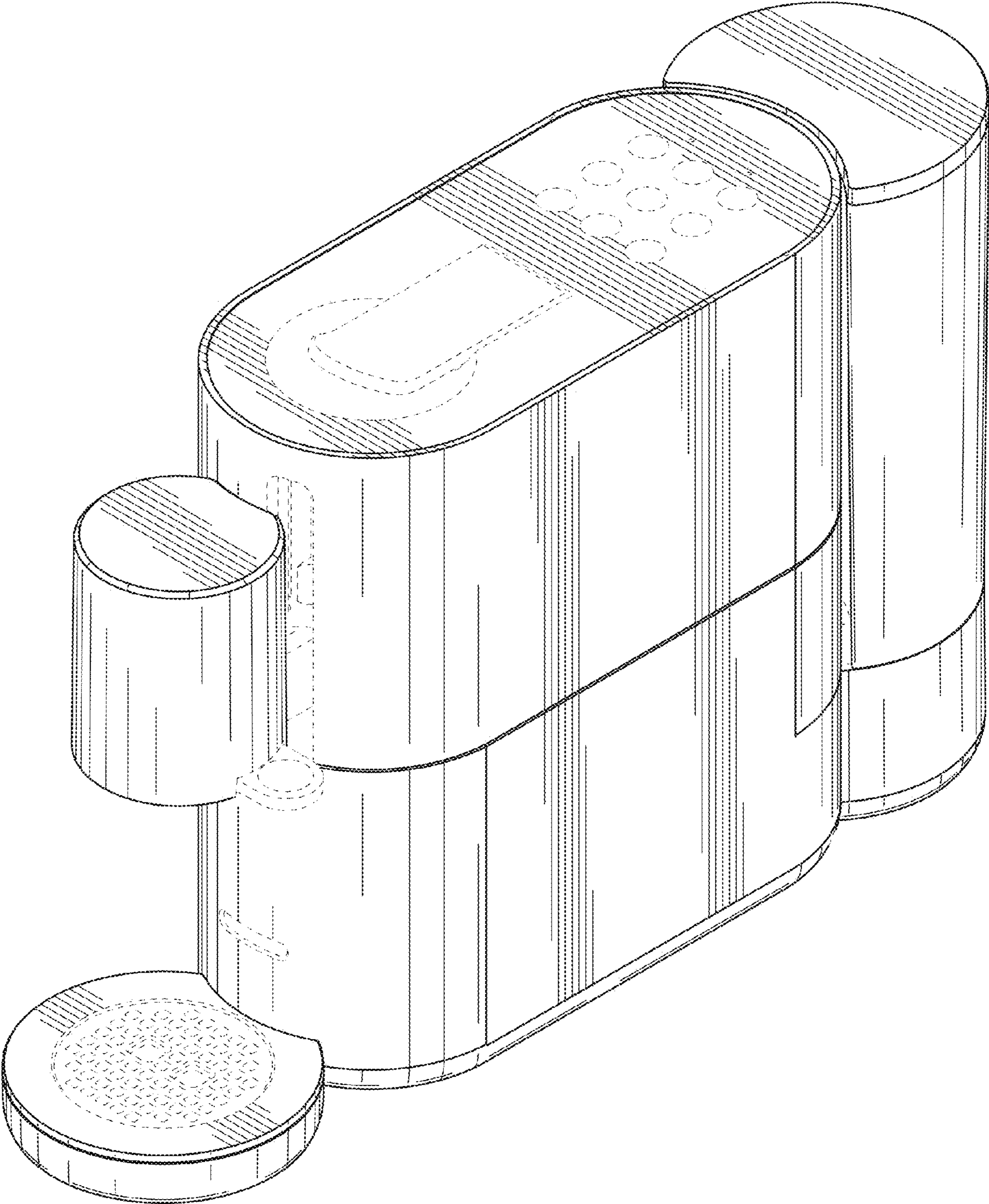


FIG. 1

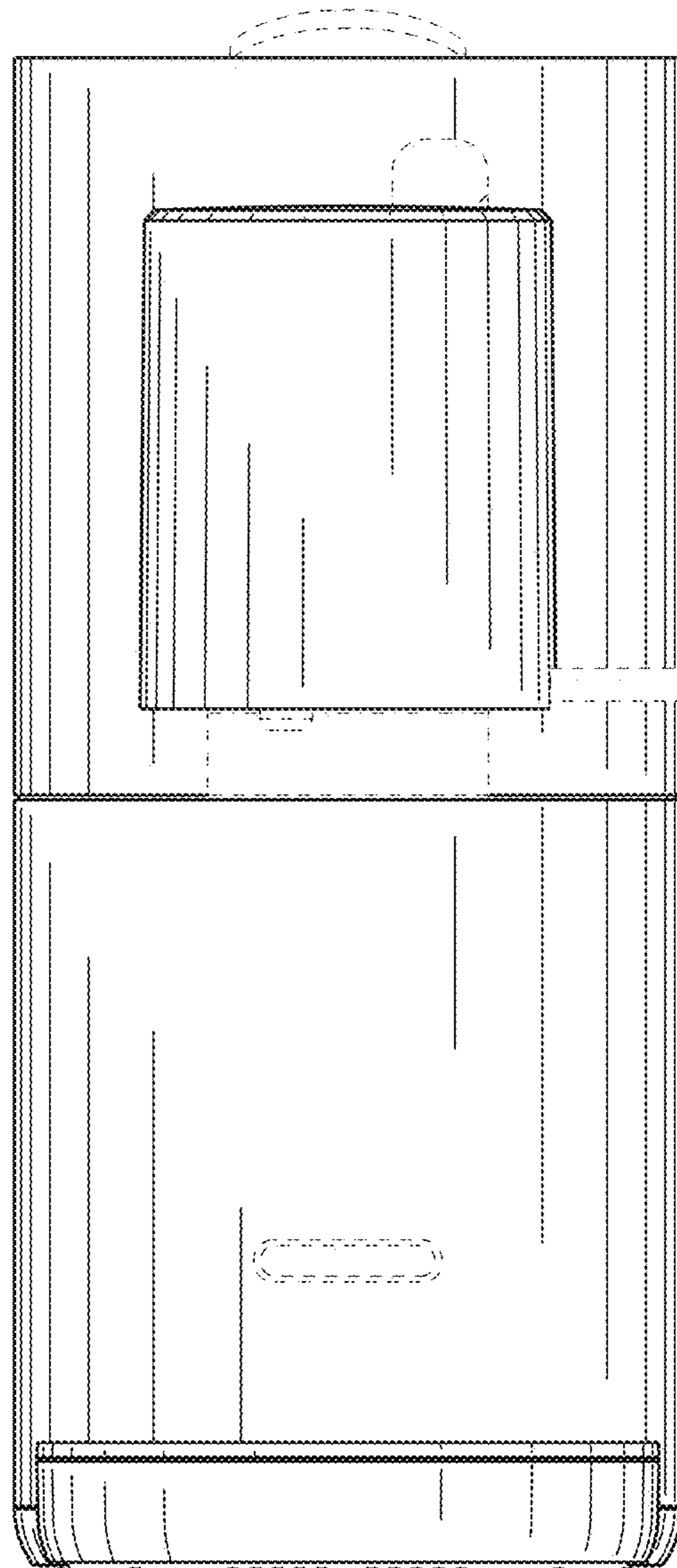


FIG. 2

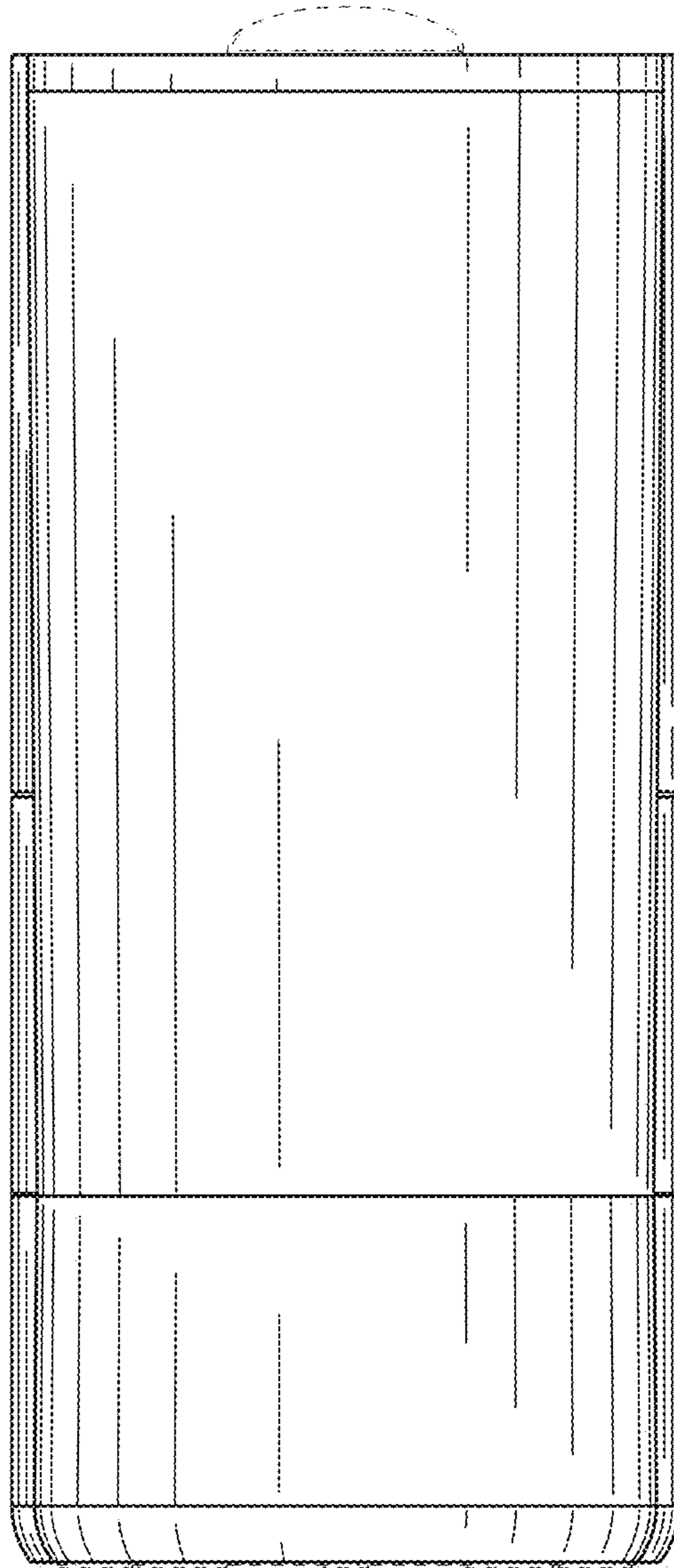


FIG. 3

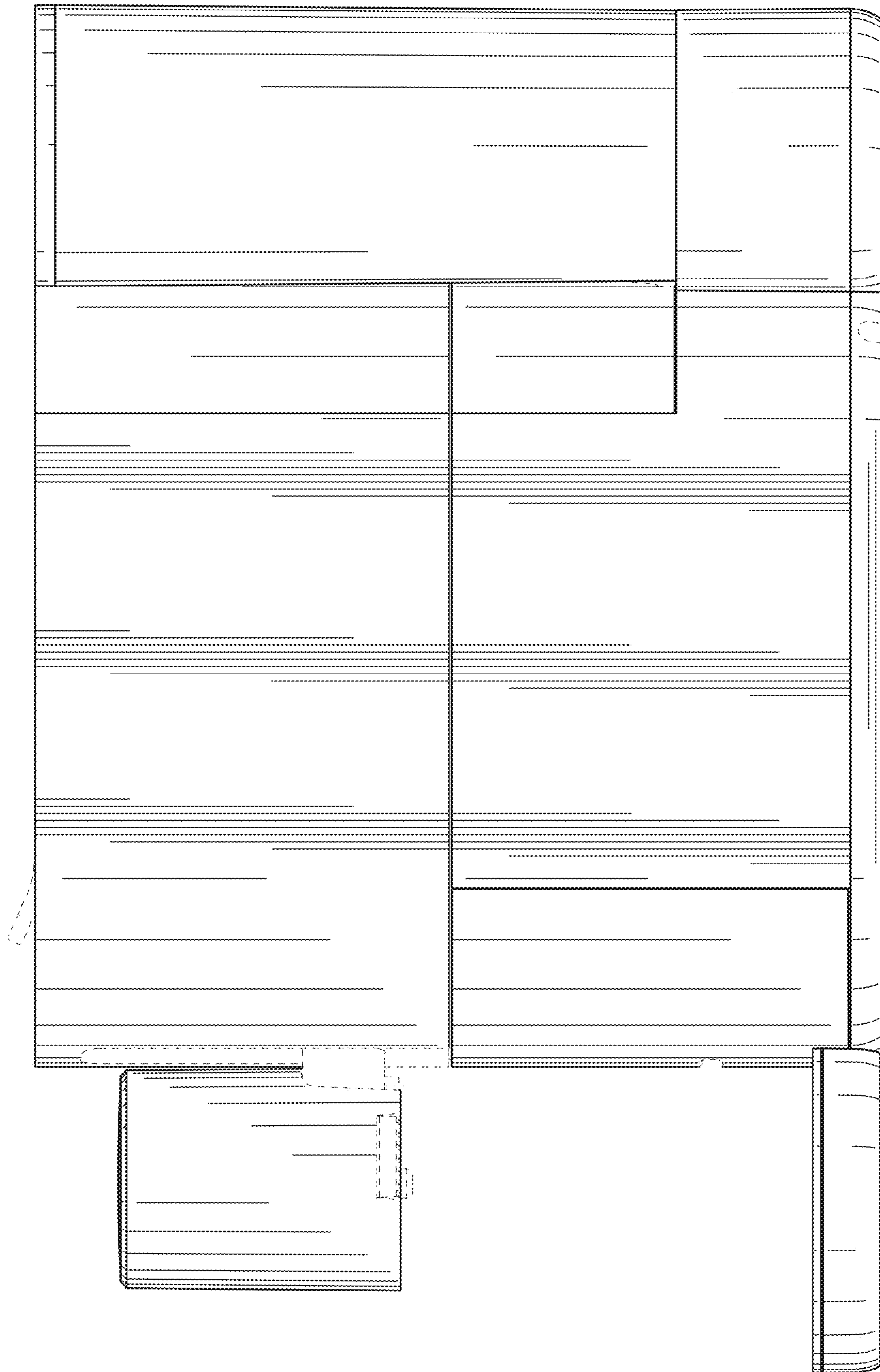


FIG. 4

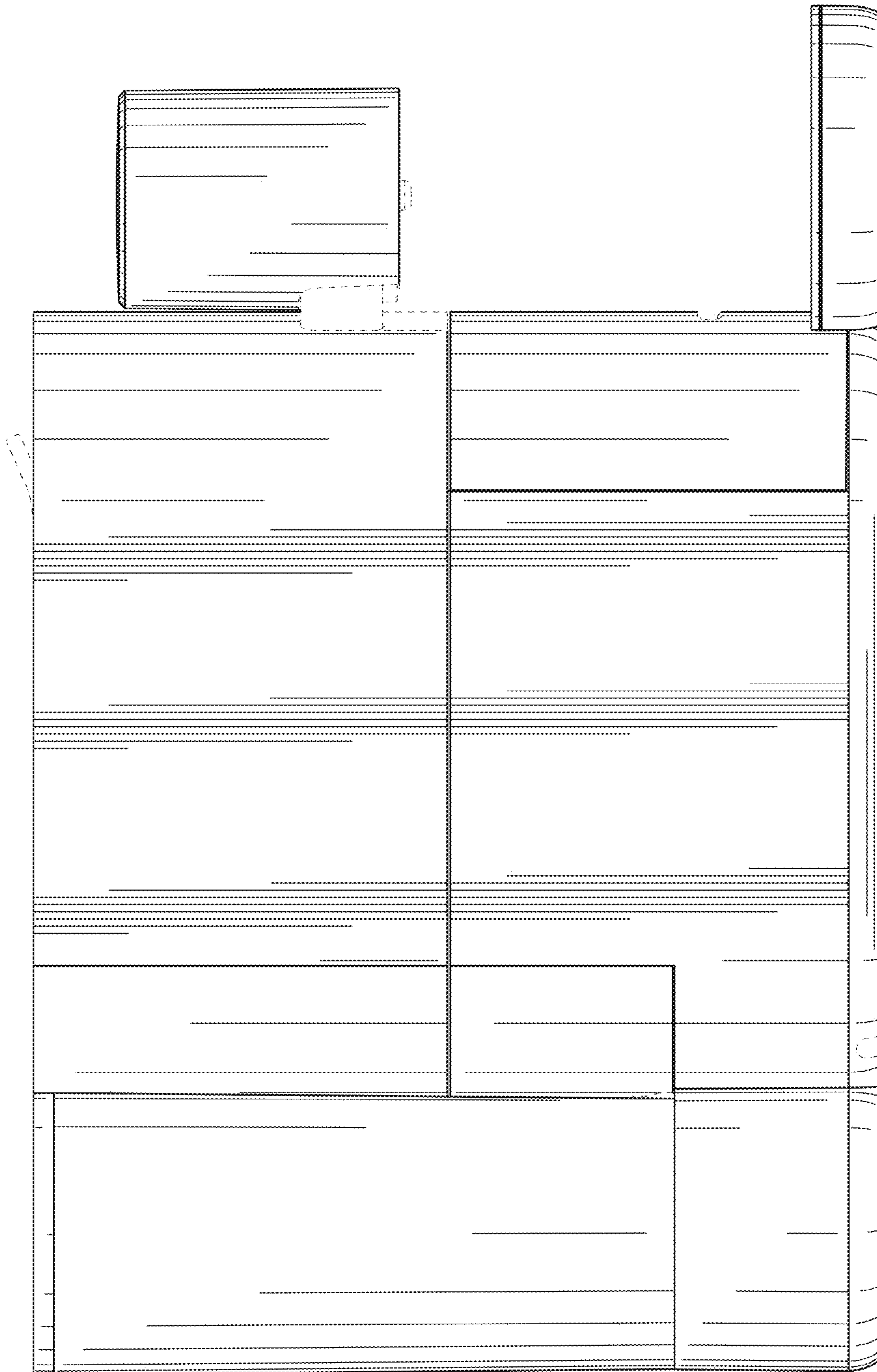


FIG. 5

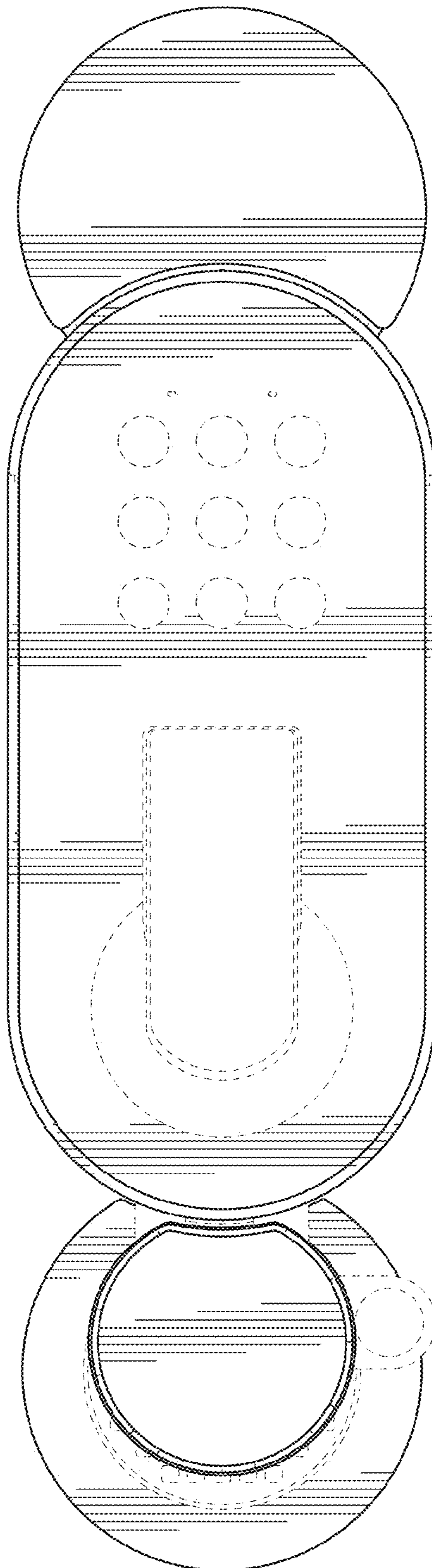


FIG. 6

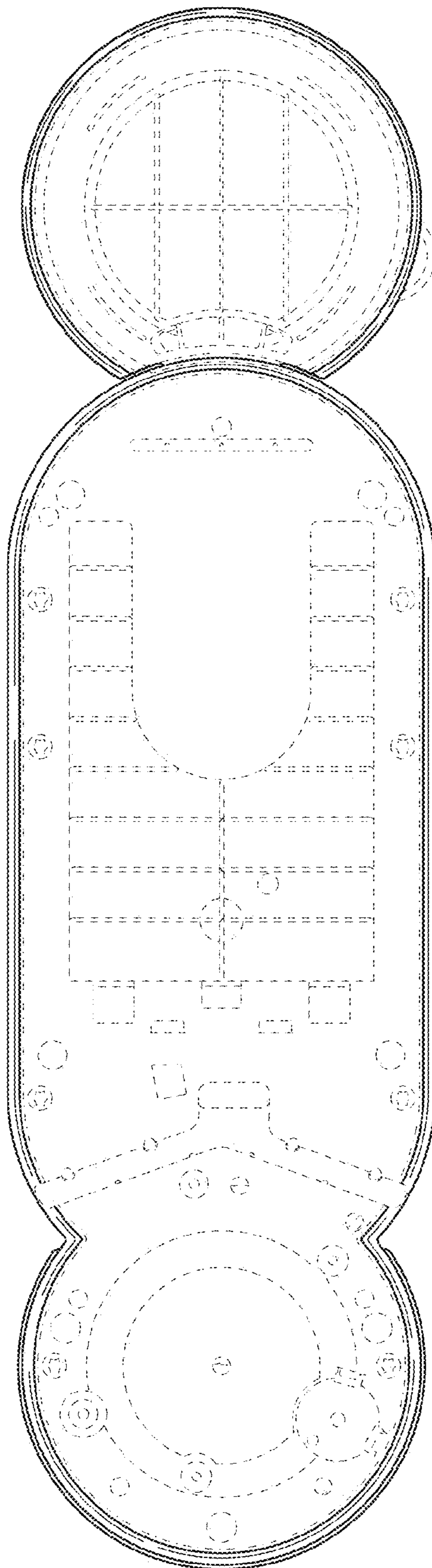


FIG. 7