



US00D931026S

(12) **United States Design Patent**
Crocker

(10) **Patent No.:** **US D931,026 S**

(45) **Date of Patent:** **** Sep. 21, 2021**

- (54) **TABLE**
- (71) Applicant: **Williams-Sonoma, Inc.**, San Francisco, CA (US)
- (72) Inventor: **Justin Crocker**, Surry Hills (AU)
- (73) Assignee: **Williams-Sonoma, Inc.**, San Francisco, CA (US)
- (**) Term: **15 Years**

- 3,228,359 A * 1/1966 Rich, Jr. F16B 12/48
108/156
- 4,041,881 A * 8/1977 Textoris A47B 13/02
108/159
- D426,405 S * 6/2000 Newhouse D6/691
- D454,267 S * 3/2002 Sabo D6/691
- D455,918 S * 4/2002 Moore D6/691.6
- D486,329 S * 2/2004 Strong D6/691.6
- D501,103 S * 1/2005 Ashby D6/691
- D503,298 S * 3/2005 Juneau D6/691
- D581,702 S * 12/2008 Dordoni D6/691.6
- D632,103 S * 2/2011 Apelbaum D6/691

(Continued)

- (21) Appl. No.: **29/694,099**
- (22) Filed: **Jun. 7, 2019**
- (51) **LOC (13) Cl.** **06-03**
- (52) **U.S. Cl.**
USPC **D6/691.6**
- (58) **Field of Classification Search**
USPC D6/349, 656, 656.13, 656.14, 656.18,
D6/685, 686, 691, 691.1–691.9
CPC A47B 7/00; A47B 13/00; A47B 13/02;
A47B 13/04; A47B 13/06; A47B 13/08;
A47B 13/10; A47B 13/12; A47B 21/00;
A47B 2200/0001; A47B 2200/0011;
A47B 2200/002
See application file for complete search history.

OTHER PUBLICATIONS

“Christopher Knight Home Bass Mid Century Modern Square Faux Wood Dining Table.” Found online Jul. 31, 2021 at www.amazon.ca. Product first available Aug. 12, 2018. Retrieved from URL: <https://www.amazon.ca/Century-Modern-Square-Dining-Walnut/dp/B07DPDGF8B> (Year: 2021).*

(Continued)

Primary Examiner — Mary Ann Calabrese
Assistant Examiner — Katelin G Kloberg
(74) *Attorney, Agent, or Firm* — Cook Alex Ltd.; R. Blake Johnston

(56) **References Cited**

U.S. PATENT DOCUMENTS

- D113,409 S * 2/1939 Vavrik D6/691.6
- 2,184,677 A * 12/1939 McKay A47B 25/00
108/26
- D164,075 S * 7/1951 Wallace D6/691
- 2,650,148 A * 8/1953 Streng F16B 12/48
108/155
- 2,703,742 A * 3/1955 Becker F16B 12/42
108/156
- D175,195 S * 7/1955 Strong D6/691.8
- 3,023,007 A * 2/1962 Lowrey A63F 9/181
273/161

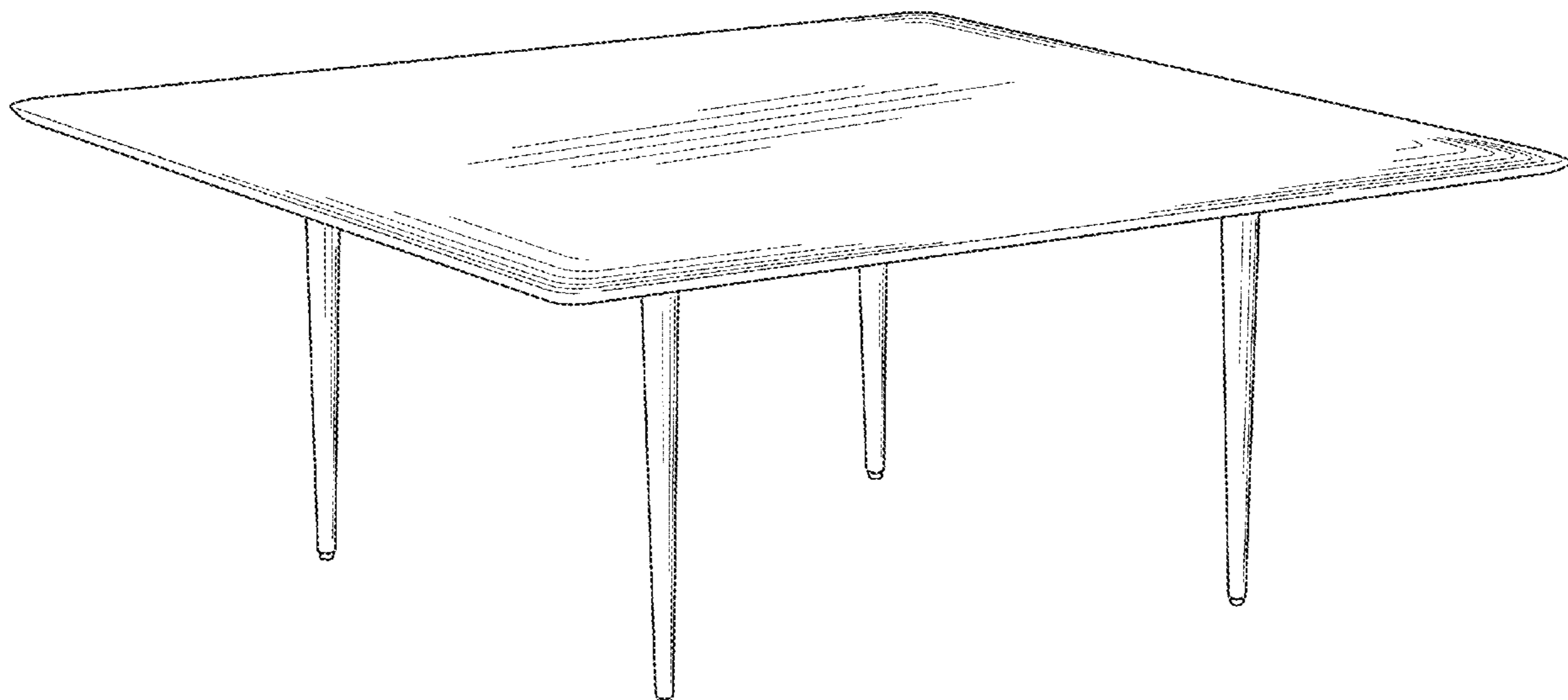
(57) **CLAIM**

The ornamental design for a table, as shown and described.

DESCRIPTION

FIG. 1 is a perspective view of the table;
FIG. 2 is a front elevational view of the table, the rear, left side and right side elevational views of which being identical;
FIG. 3 is a top plan view of the table; and,
FIG. 4 is a bottom plan view of the table.
The broken lines shown in the drawings depict portions of the table and form no part of the claimed design.

1 Claim, 4 Drawing Sheets



(56)

References Cited

U.S. PATENT DOCUMENTS

D650,612 S	*	12/2011	Frinier	D6/691.3
D732,852 S	*	6/2015	Park	D6/656
D767,923 S	*	10/2016	Cochran	D6/691
D772,621 S	*	11/2016	Levy	D6/691
D788,503 S	*	6/2017	Duvigneau	D6/691.6
D792,134 S	*	7/2017	Bougay	D6/691
D801,092 S	*	10/2017	Merritt	D6/691
D817,036 S		5/2018	Palma	
D828,061 S	*	9/2018	Davis	D6/691.3
D829,475 S	*	10/2018	Davis	D6/691
D850,831 S		6/2019	Bieschke	
D853,161 S		7/2019	Parikh	
D860,696 S	*	9/2019	Tapinassi	D6/691
D879,512 S	*	3/2020	Hoshikawa	D6/656
D907,417 S	*	1/2021	Crocker	D6/692
D911,086 S	*	2/2021	Crocker	D6/691.6
D911,755 S	*	3/2021	Young	D6/691

OTHER PUBLICATIONS

“Mid-Century Square Teak Extendable Dining Table.” Found online Jul. 31, 2021 at www.pamono.com. Product designed in the 1960’s. Retrieved from URL: <https://www.pamono.com/mid-century-square-teak-extendable-dining-table> (Year: 1969).*

“Drop leaf table by walter of wabash.” Found online Jul. 31, 2021 at www.commodityfetishonline.wordpress.com. Page dated Apr. 13, 2019. Retrieved from URL: <https://commodityfetishonline.wordpress.com/2019/04/13/drop-leaf-table-by-walter-of-wabash-and-three-vinyl-dining-chairs/> (Year: 2019).*

“GreenForest Dining Table.” Found online Jul. 31, 2021 at www.amazon.com. Product first available Apr. 19, 2018. Retrieved from URL: <https://tinyurl.com/22ntn2eh> (Year: 2018).*

“Ansley&HosHo Eiffel Table.” Found online Jul. 31, 2021 at www.amazon.com. Product first available Jan. 19, 2020. Retrieved from URL: <https://tinyurl.com/mfr7wkv9> (Year: 2020).*

* cited by examiner

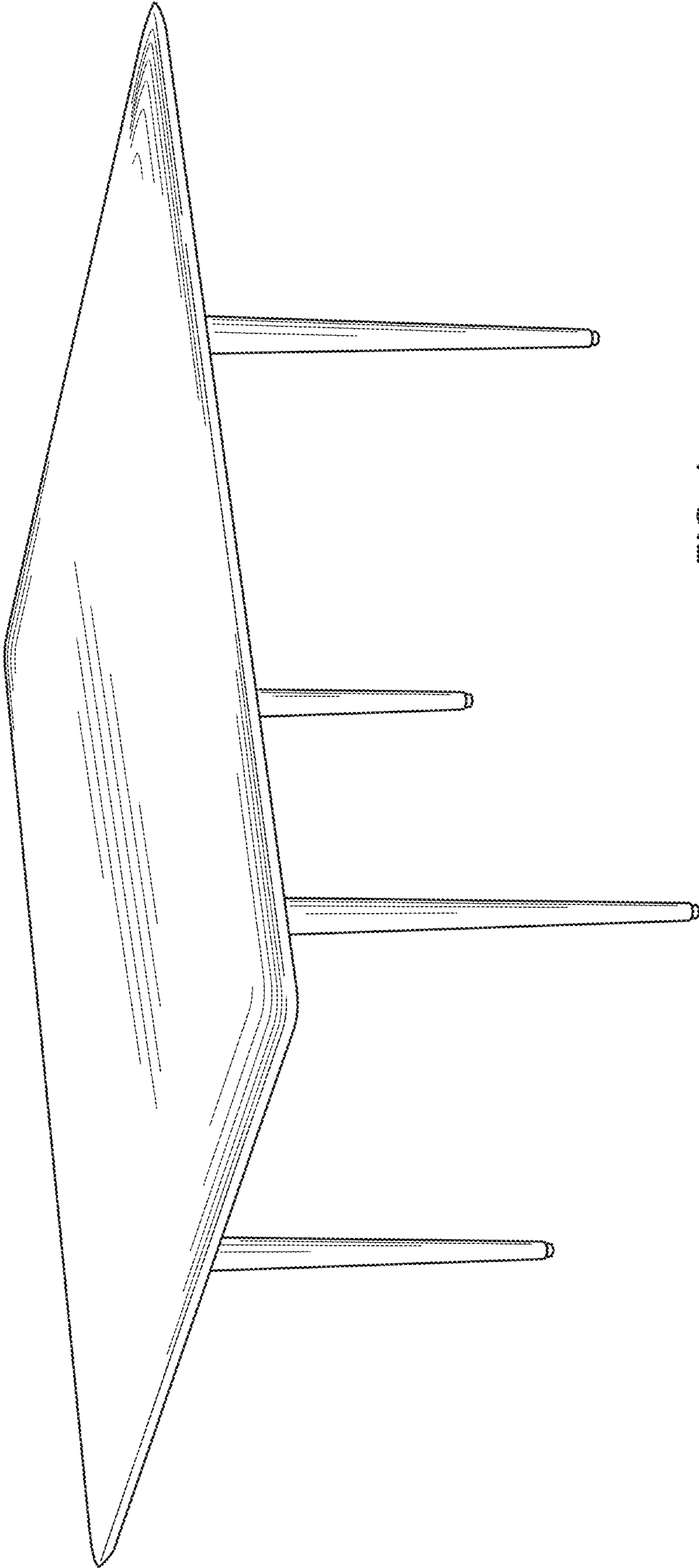


FIG. 1

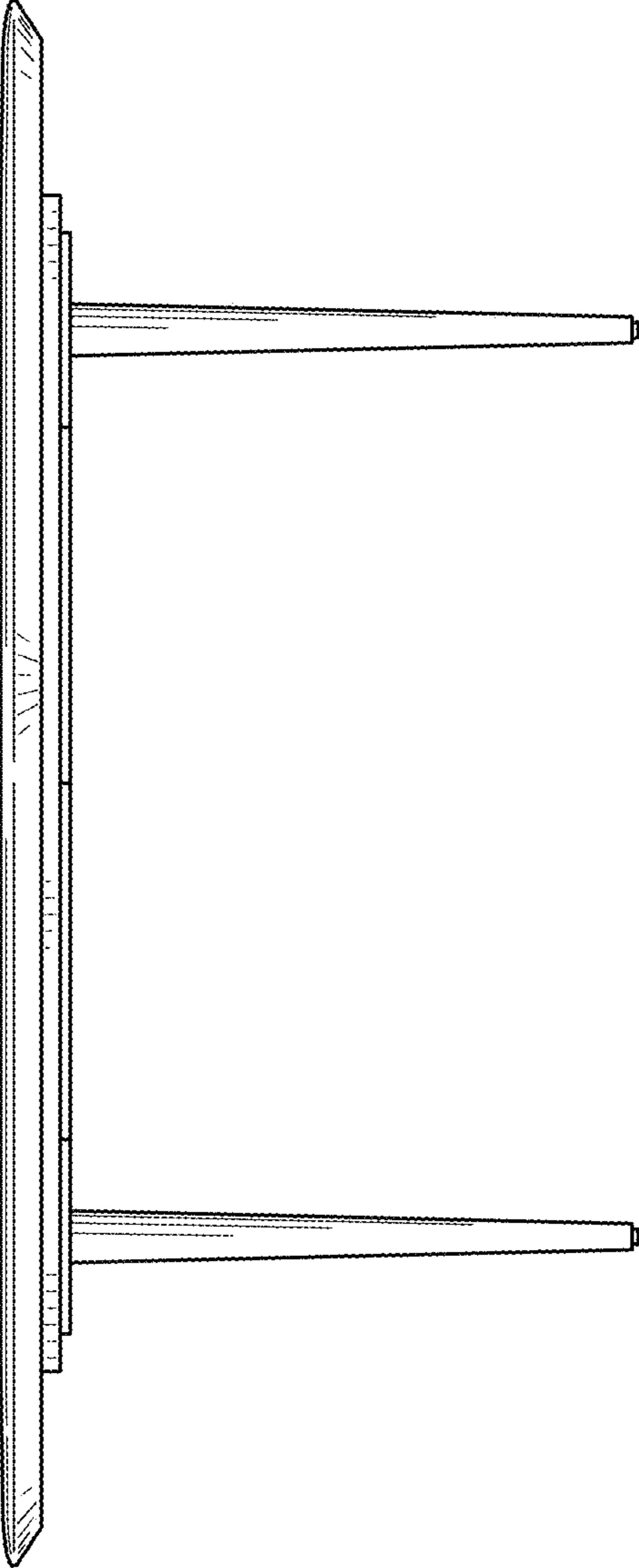


FIG. 2

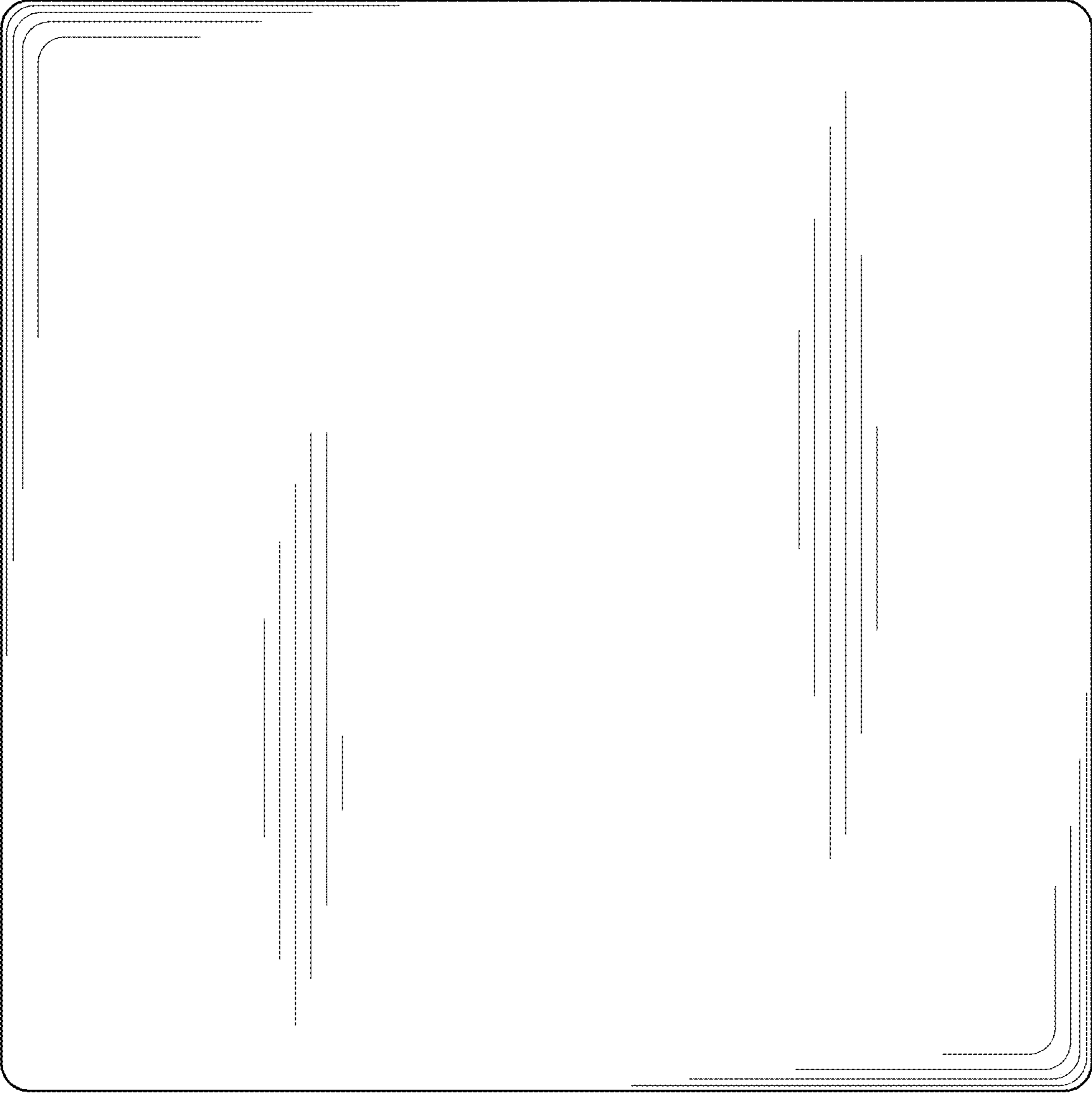


FIG. 3

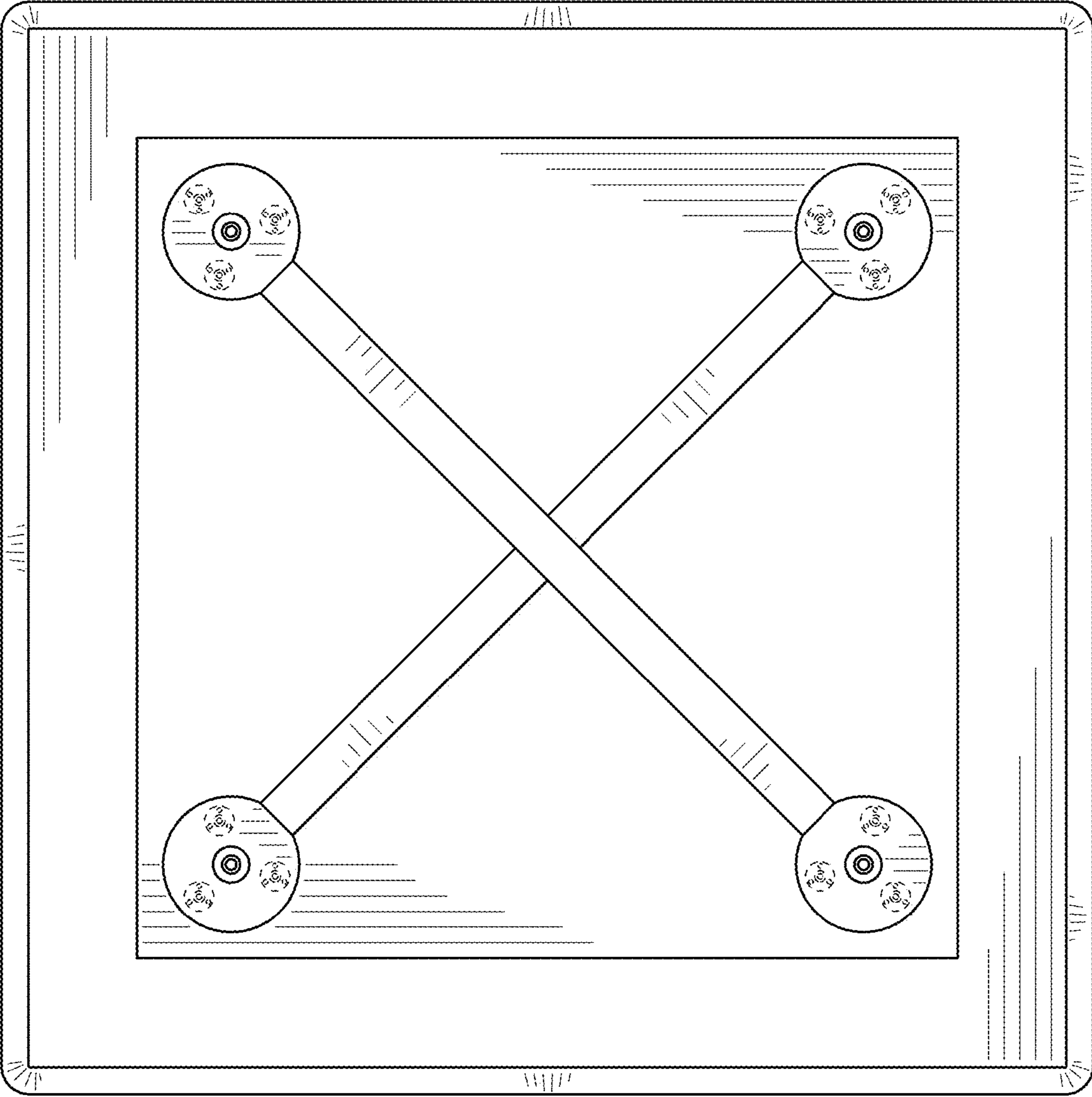


FIG. 4