



US00D931025S

(12) **United States Design Patent** (10) **Patent No.:** **US D931,025 S**
Sakai (45) **Date of Patent:** **** Sep. 21, 2021**

(54) **STAND FOR TOY BEADS**
(71) Applicant: **EPOCH COMPANY LTD**, Tokyo (JP)
(72) Inventor: **Ryo Sakai**, Tokyo (JP)
(73) Assignee: **EPOCH COMPANY, LTD.**, Tokyo (JP)
(**) Term: **15 Years**

D772,989 S * 11/2016 Fjelstad D21/385
D817,947 S * 5/2018 Toussi D14/252
D839,629 S * 2/2019 Gilor D6/526
D875,545 S * 2/2020 Bagramyan D9/669
D886,044 S * 6/2020 Gerhard D13/103
D896,009 S * 9/2020 Holmes D6/682.3
D902,326 S * 11/2020 Kamiyama D21/530
D911,951 S * 3/2021 Yang D13/108
D915,067 S * 4/2021 Sakai D3/271.1
D922,071 S * 6/2021 Jensen D3/302

* cited by examiner

(21) Appl. No.: **29/708,131**
(22) Filed: **Oct. 3, 2019**

Primary Examiner — Kelley A Donnelly
(74) *Attorney, Agent, or Firm* — Fitzgerald IP Law; John K Fitzgerald, Esq.

(30) **Foreign Application Priority Data**

(57) **CLAIM**

Apr. 3, 2019 (JP) 2019-007267

The ornamental design for a stand for toy beads, as shown and described.

(51) **LOC (13) Cl.** **06-06**

(52) **U.S. Cl.**
USPC **D6/682.3**

DESCRIPTION

(58) **Field of Classification Search**
USPC D6/553, 567, 657, 669, 672, 673, 678,
D6/678.1, 682, 682.3; D21/385, 392,
D21/398, 453
CPC A47F 5/08; A47F 5/0876; A47F 5/0081;
A47F 7/00; A47F 7/0057; B65D 1/00;
B65D 11/20

FIG. 1 is a perspective view of portions of the front, top, and right side of a stand for toy beads showing my new design; FIG. 2 is a perspective view of portions of the rear, bottom, and right side thereof; FIG. 3 is a front view thereof; FIG. 4 is a rear view thereof; FIG. 5 is a top plan view thereof; FIG. 6 is a bottom view thereof; FIG. 7 is a right side view thereof; FIG. 8 is a left side view thereof; and, FIG. 9 is a perspective view of the stand for toy beads of FIG. 1 attaching others stands drawn in broken lines.

See application file for complete search history.

The broken lines shown are included for the purpose of illustrating portions of the article which form no part of the claimed design.

(56) **References Cited**

U.S. PATENT DOCUMENTS

D321,788 S * 11/1991 Chen D3/295
D351,955 S * 11/1994 Ennis D6/678
D367,571 S * 3/1996 Ennis D6/678
D368,187 S * 3/1996 Johnson D6/682
D401,450 S * 11/1998 Ennis D6/682.5
D748,616 S * 2/2016 Noble D14/253

1 Claim, 9 Drawing Sheets

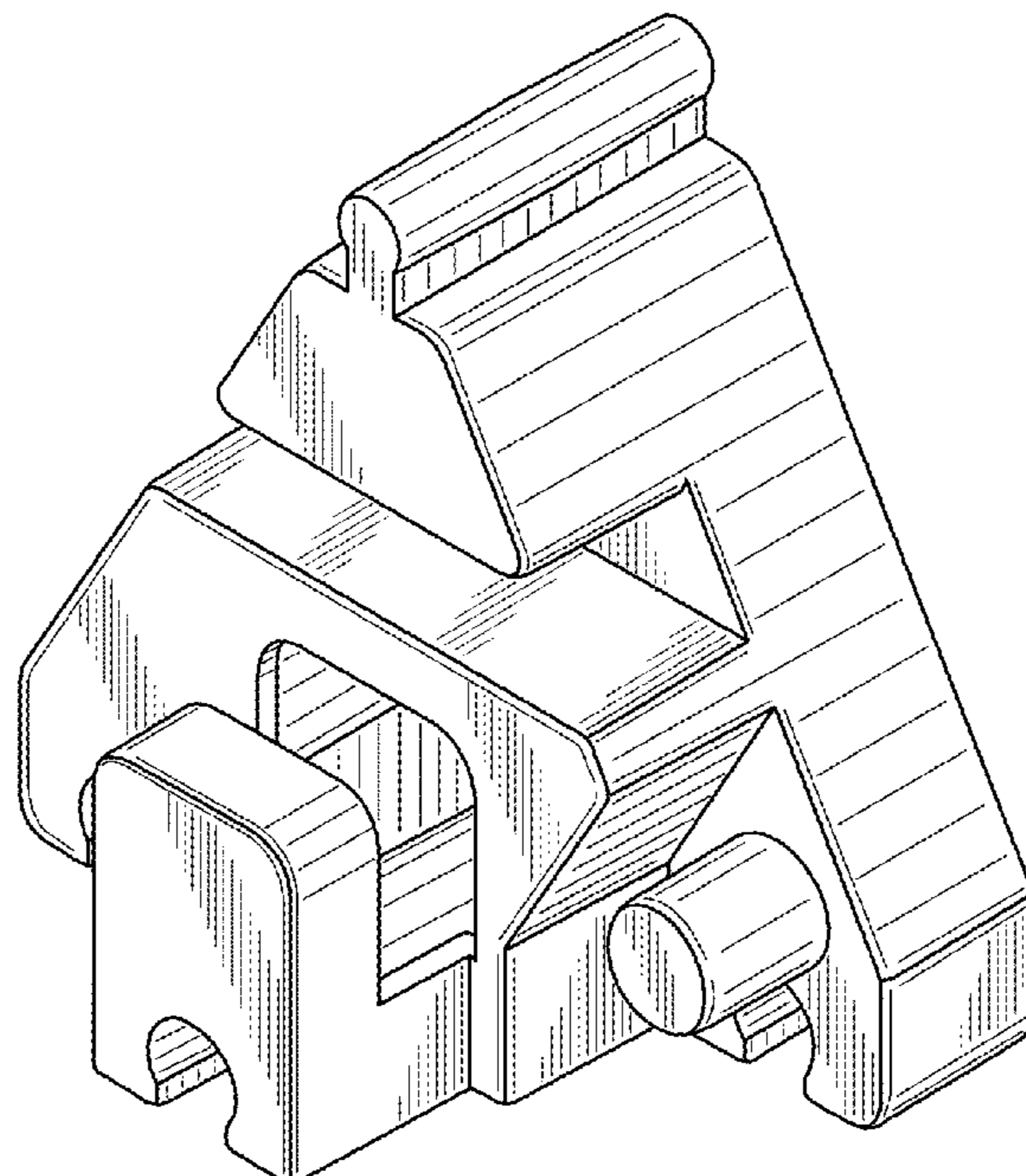


FIG. 1

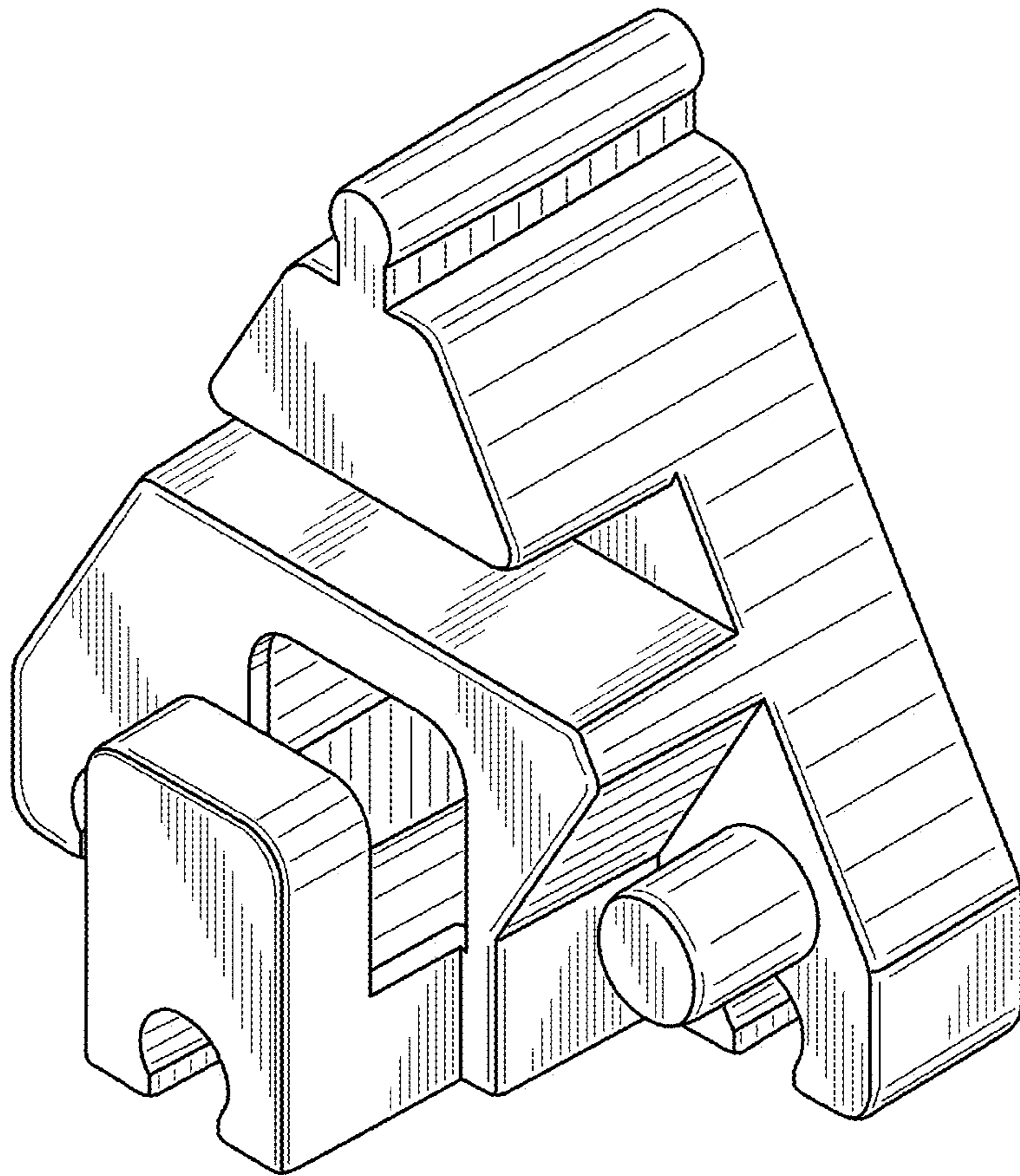


FIG. 2

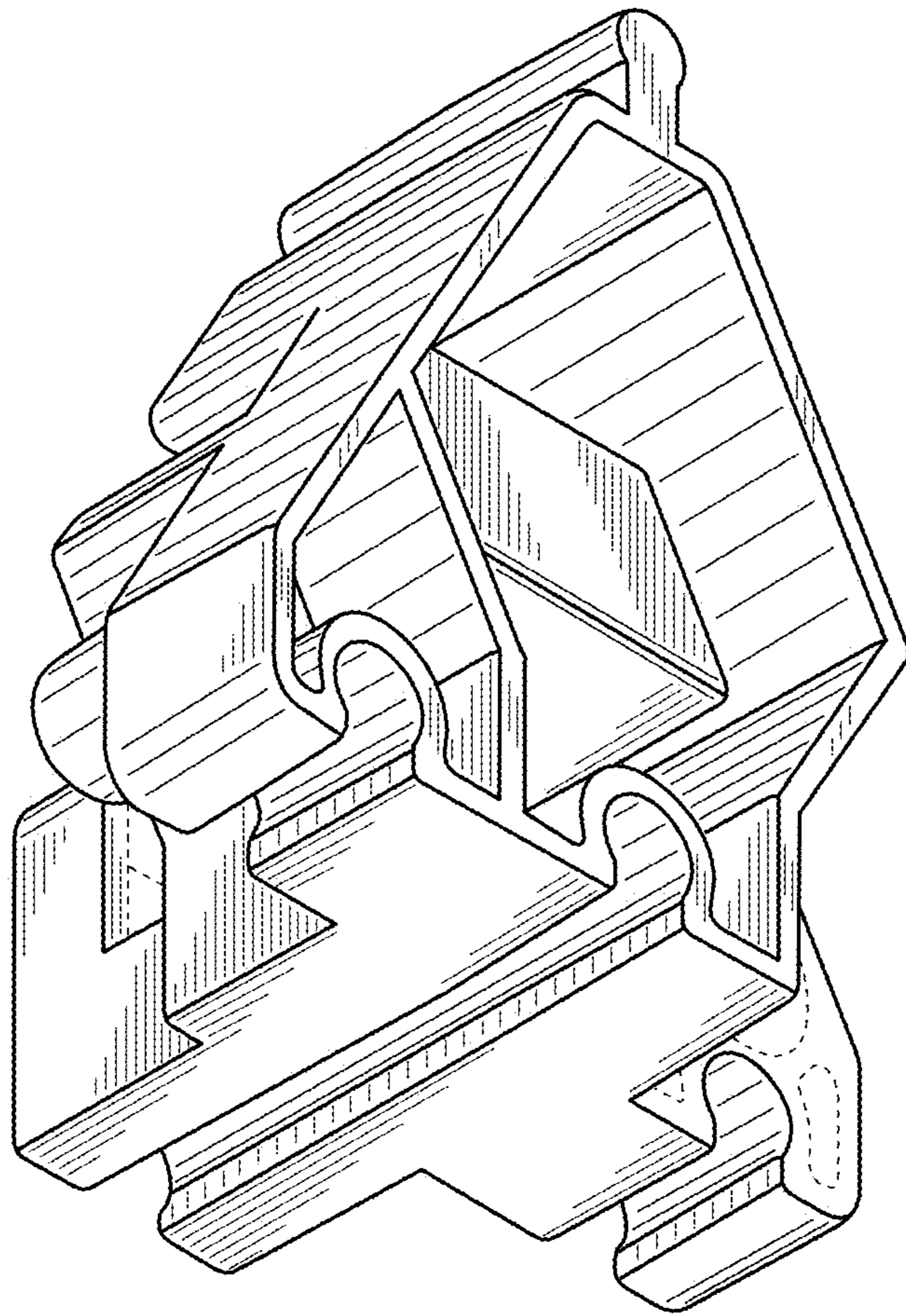


FIG. 3

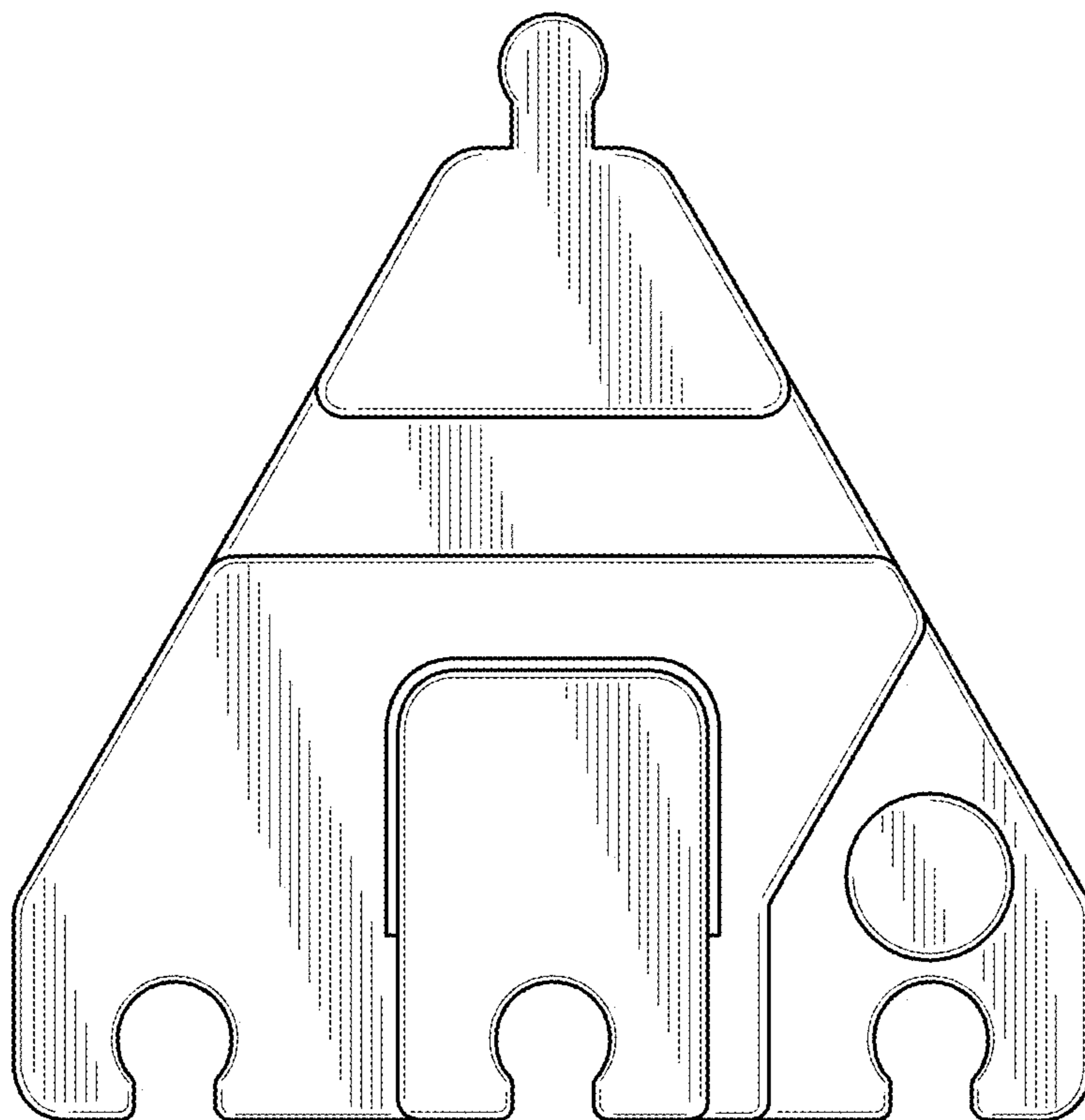


FIG. 4

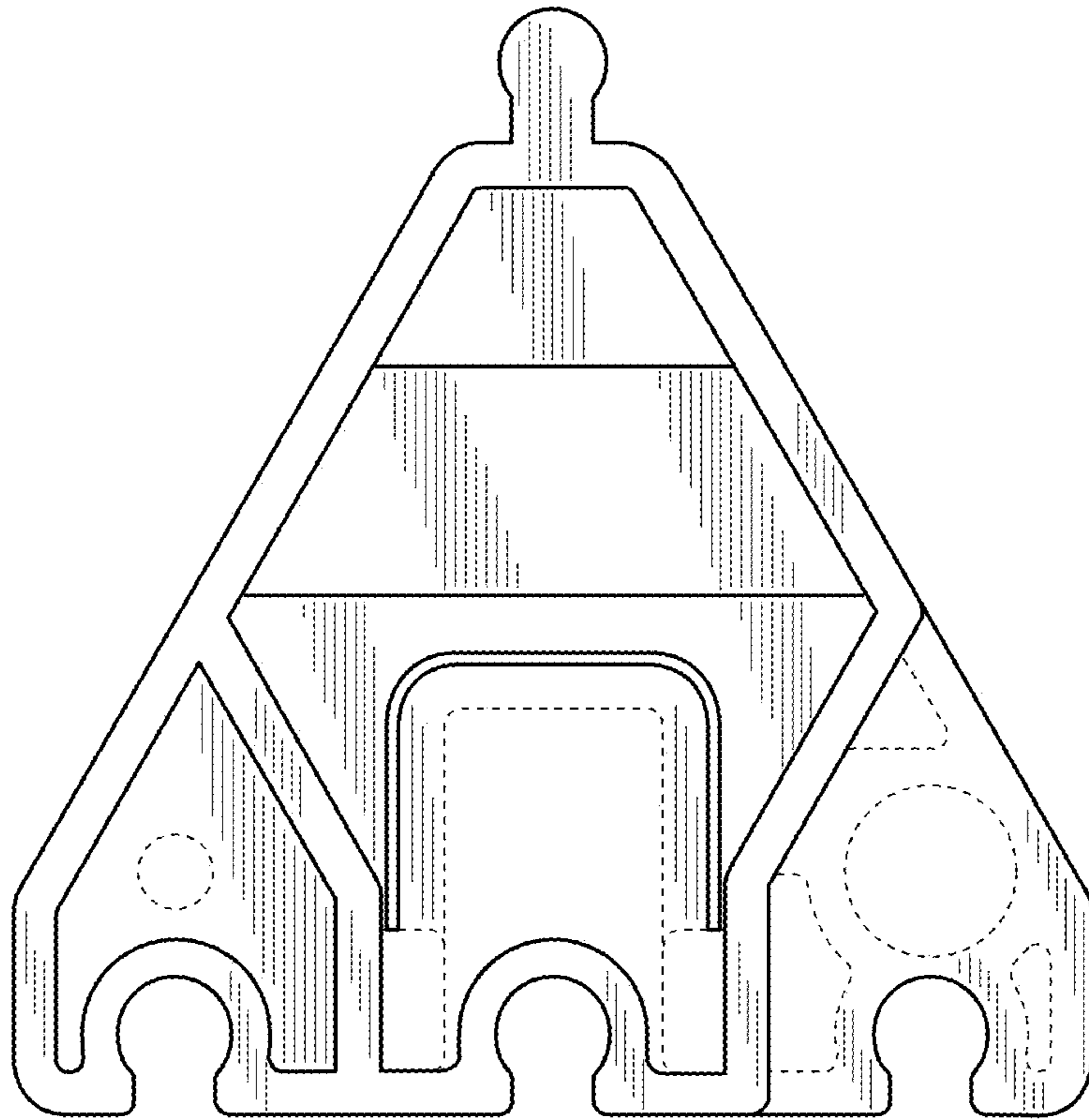


FIG. 5

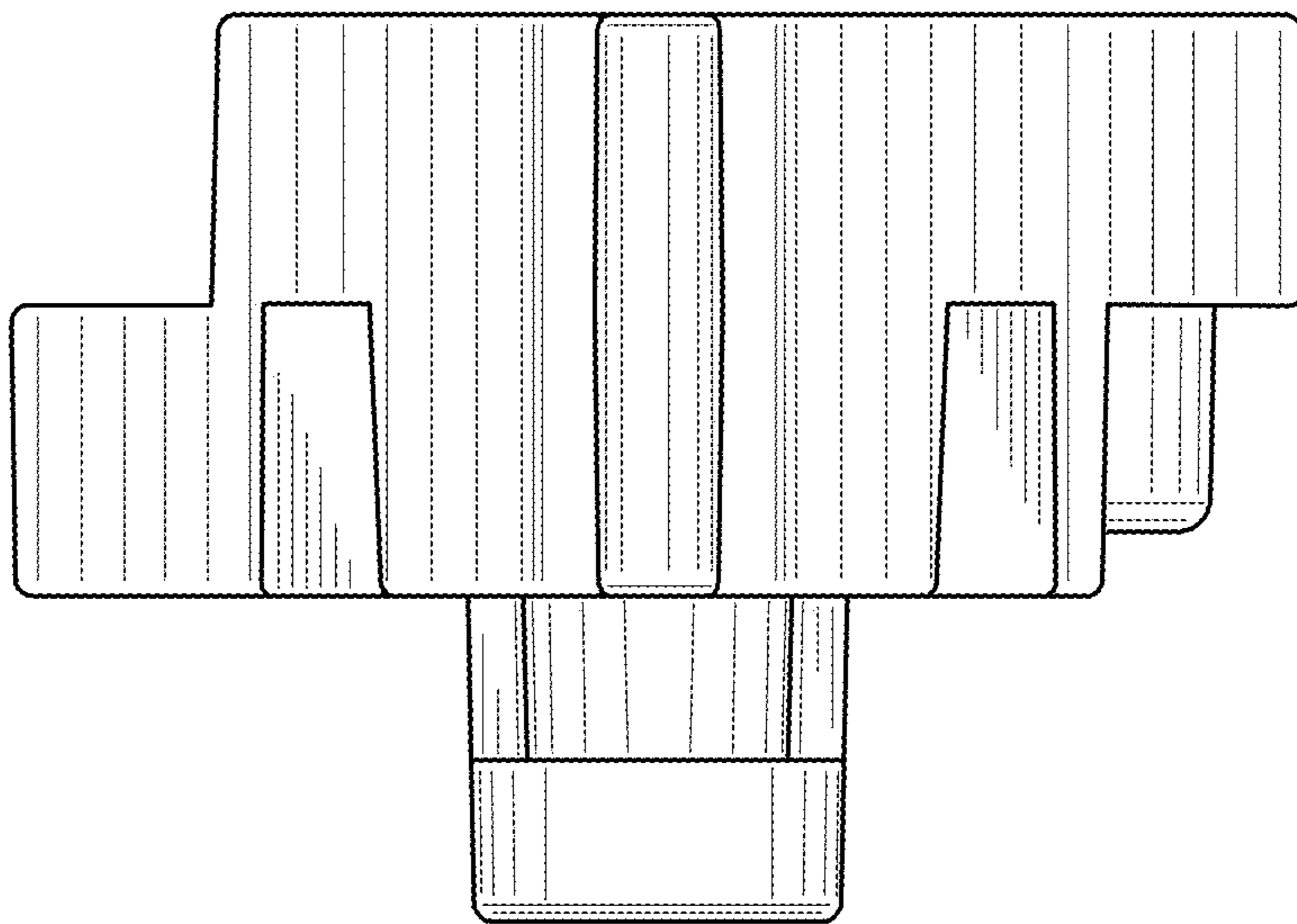


FIG. 6

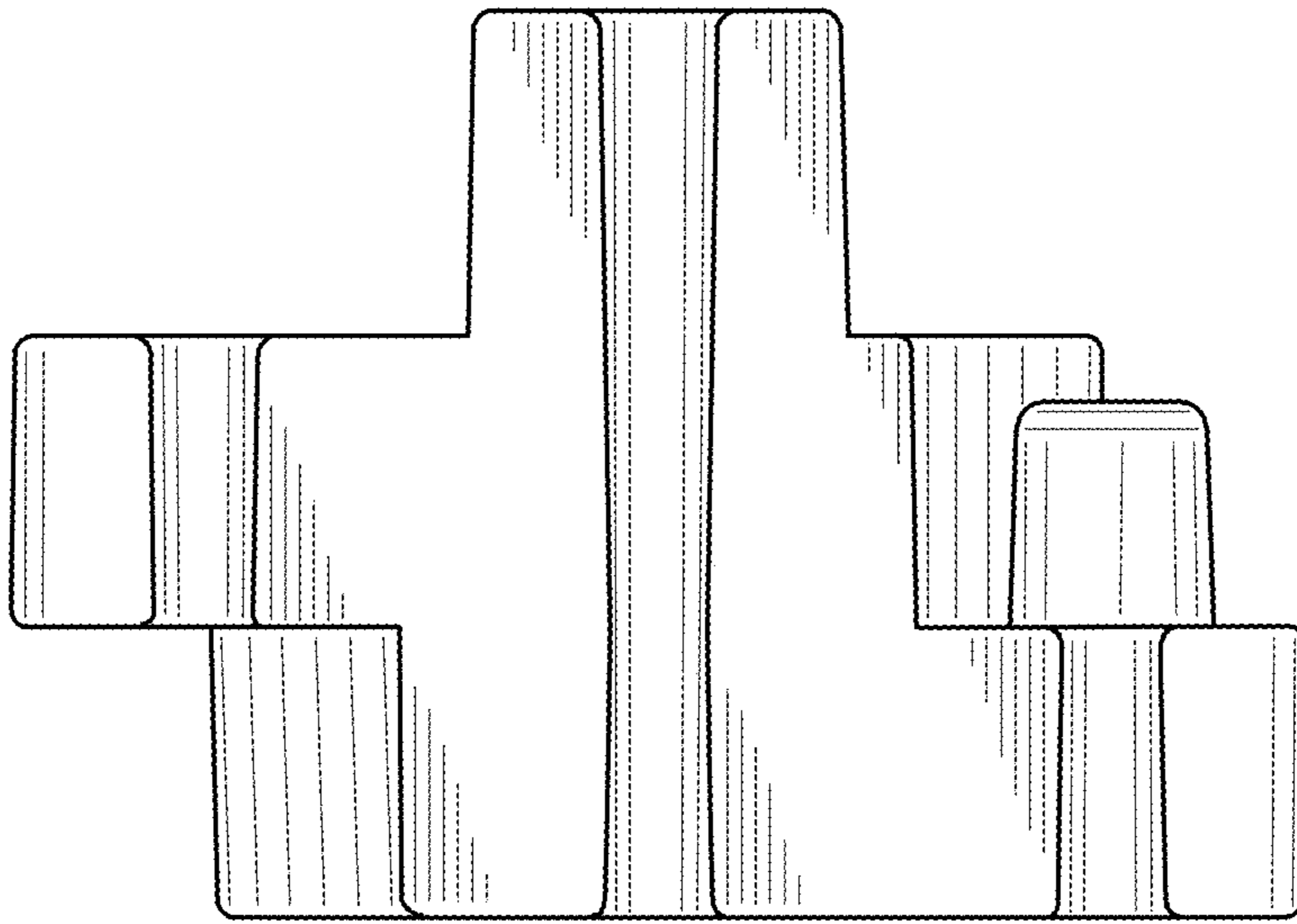


FIG. 7

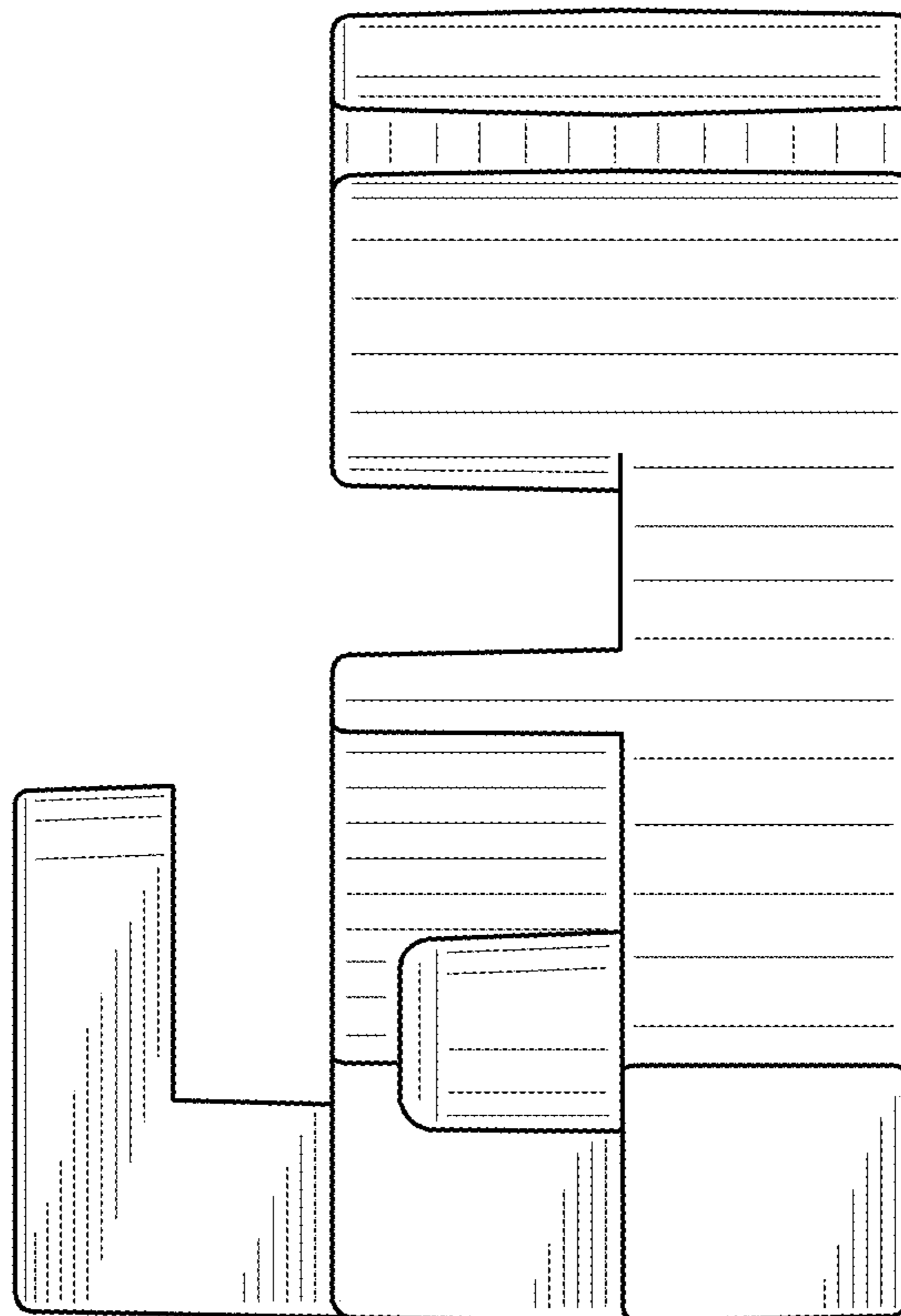


FIG. 8

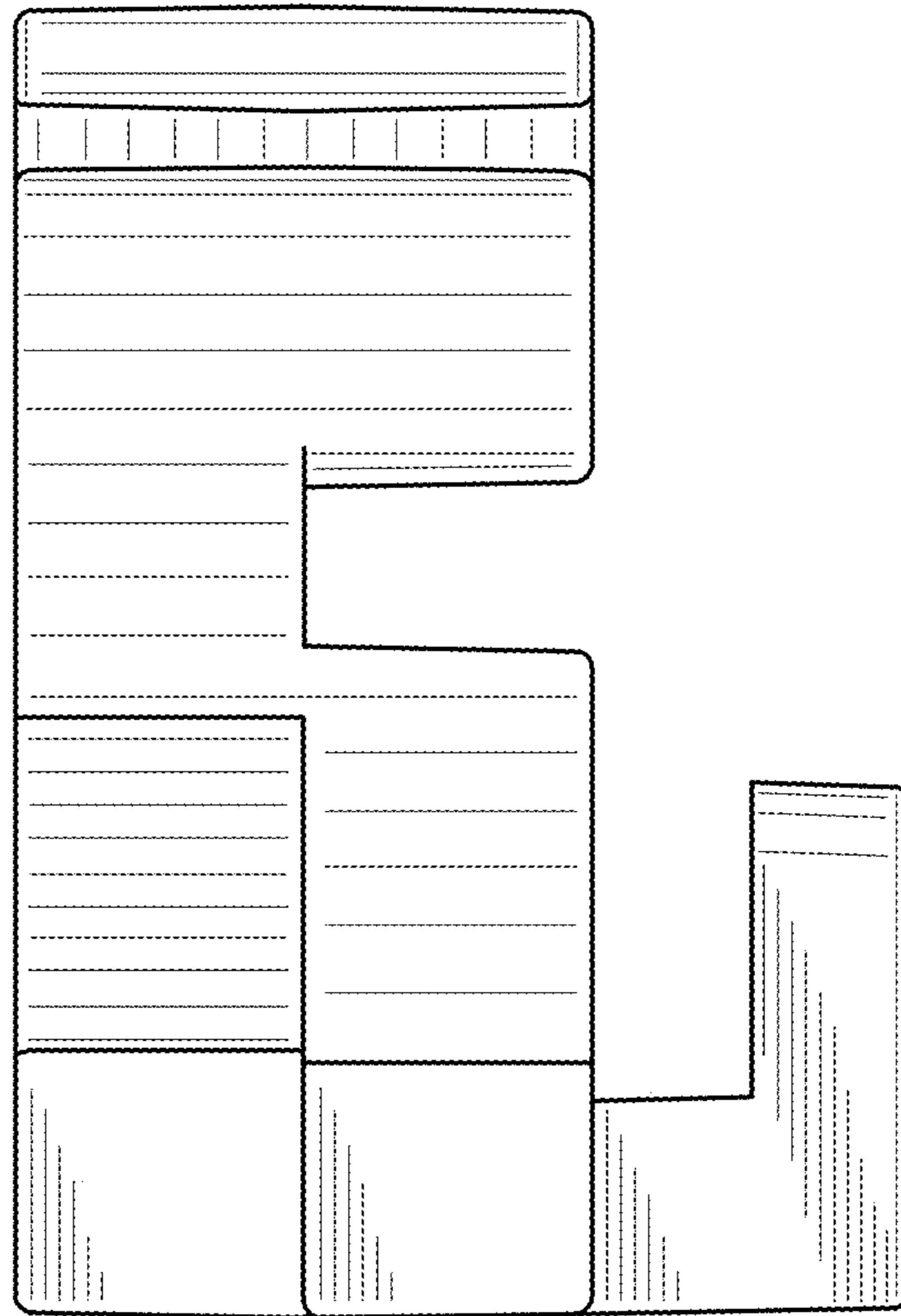


FIG. 9

