



US00D931024S

(12) **United States Design Patent**
Cao

(10) **Patent No.:** **US D931,024 S**
(45) **Date of Patent:** **** Sep. 21, 2021**

- (54) **SINGLE SIDE BOOM SUPPORT**
- (71) Applicant: **RED DOT LED LIGHTING LIMITED**, Shenzhen (CN)
- (72) Inventor: **Zhongling Cao**, Shenzhen (CN)
- (**) Term: **15 Years**
- (21) Appl. No.: **29/729,842**
- (22) Filed: **Mar. 31, 2020**
- (51) **LOC (13) Cl.** **20-02**
- (52) **U.S. Cl.**
USPC **D6/681**
- (58) **Field of Classification Search**
USPC D6/672, 673, 681, 681.1, 381.2, 682, D6/682.3; D8/349; D10/46, 65, 103; D12/400; D14/239; D24/216, 227
CPC ... H04R 1/08; F16M 11/242; F16M 11/2014; F16M 11/105; F16M 11/24; F16M 11/16; F16M 11/38; F16M 2200/066; F16M 2200/08; G01S 13/931; G01S 7/4026; G01B 11/27; G01B 11/2755
See application file for complete search history.

- D268,448 S * 3/1983 Callahan A61G 7/1076 D34/33
- D289,835 S * 5/1987 Schoenig A61G 7/0533 D14/229
- 4,715,573 A * 12/1987 Liegel B25H 5/00 248/129
- D306,667 S * 3/1990 Fedder D6/682
- D307,182 S * 4/1990 Smith D24/128
- D376,885 S * 12/1996 Carey D34/28
- D376,886 S * 12/1996 Dunn D34/28
- D396,579 S * 8/1998 Kalayjian D6/682
- D405,204 S * 2/1999 McAdams D26/63
- D411,698 S * 6/1999 Kalayjian D6/682
- 5,934,490 A * 8/1999 Mora B25H 1/0007 212/176
- 5,946,748 A * 9/1999 Wang A61G 7/1046 5/81.1 R
- 6,079,678 A * 6/2000 Schott A61G 7/05 248/125.1
- 6,321,398 B1 * 11/2001 Wang A61G 7/001 212/901
- 6,435,460 B1 * 8/2002 Van Cleave B23D 47/025 108/9

(Continued)

Primary Examiner — Steven J Czyz

(57) **CLAIM**

The ornamental design for a single side boom support, as shown and described.

DESCRIPTION

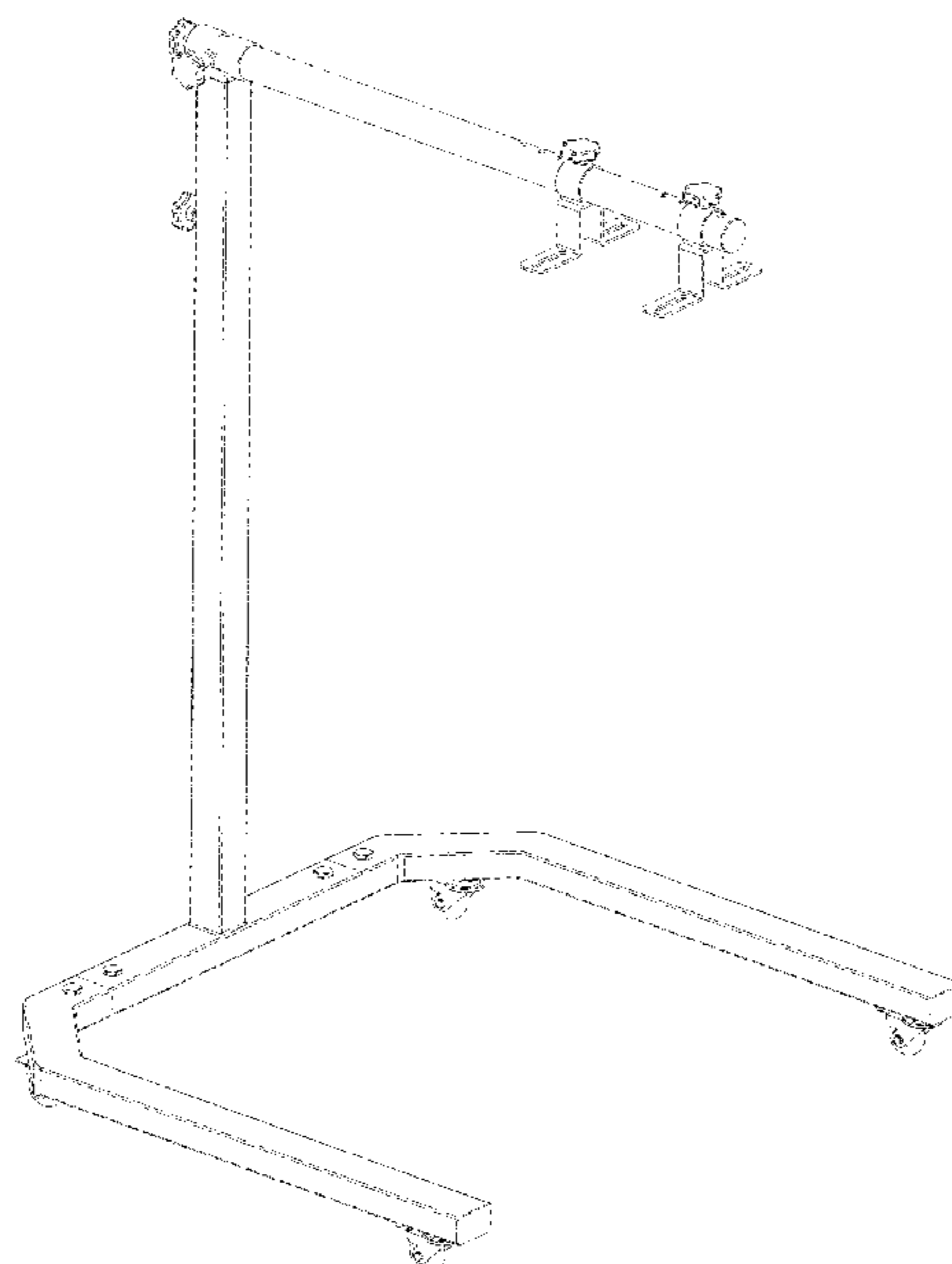
FIG. 1 is a perspective view of a single side boom support showing my new design;
FIG. 2 is another perspective view thereof;
FIG. 3 is a front view thereof;
FIG. 4 is a rear view thereof;
FIG. 5 is a left side view thereof;
FIG. 6 is a right side view thereof;
FIG. 7 is a top plan view thereof; and,
FIG. 8 is a bottom plan view thereof.

1 Claim, 8 Drawing Sheets

(56) **References Cited**

U.S. PATENT DOCUMENTS

- 1,961,119 A * 5/1934 Ettinger A61G 7/1061 5/89.1
- 3,026,079 A * 3/1962 Stack A61G 7/0503 248/122.1
- 3,185,416 A * 5/1965 Osinski A47G 33/12 248/527
- 3,711,877 A * 1/1973 Averill A61G 7/1076 5/87.1
- 3,889,910 A * 6/1975 Walters A61G 7/0533 248/122.1
- D247,034 S * 1/1978 Brodmann A47G 33/12 D14/224



(56)

References Cited

U.S. PATENT DOCUMENTS

D470,640	S *	2/2003	Scordo	B60S 3/04 D34/25
6,814,332	B2 *	11/2004	Eason	F16M 11/048 248/122.1
7,080,823	B1 *	7/2006	Triplett	B66C 1/107 254/8 B
7,118,080	B2 *	10/2006	Chan	A47B 23/046 248/129
7,261,261	B2 *	8/2007	Ligertwood	A47B 21/00 248/129
7,273,198	B2 *	9/2007	Tourtellotte	E04H 12/2238 248/166
D569,656	S *	5/2008	Musick	D6/681.3
D597,217	S *	7/2009	Wounder	D24/224
D598,125	S *	8/2009	Wounder	D24/224
D608,014	S *	1/2010	Wounder	D24/224
D610,835	S *	3/2010	Mono	D6/682
D638,637	S *	5/2011	Foley	F16B 7/1472 D6/681.2
8,328,173	B1 *	12/2012	DesForge	B25H 1/0007 269/71
D765,996	S *	9/2016	Dolar	A61B 5/0079 D6/312
9,656,837	B2 *	5/2017	Grodaes	B66C 23/485
10,856,062	B1 *	12/2020	Cohn	F16M 11/105
10,969,657	B2 *	4/2021	Christensen	F16B 7/1472
2008/0116327	A1 *	5/2008	Goldberg	A47B 21/00 248/121

* cited by examiner

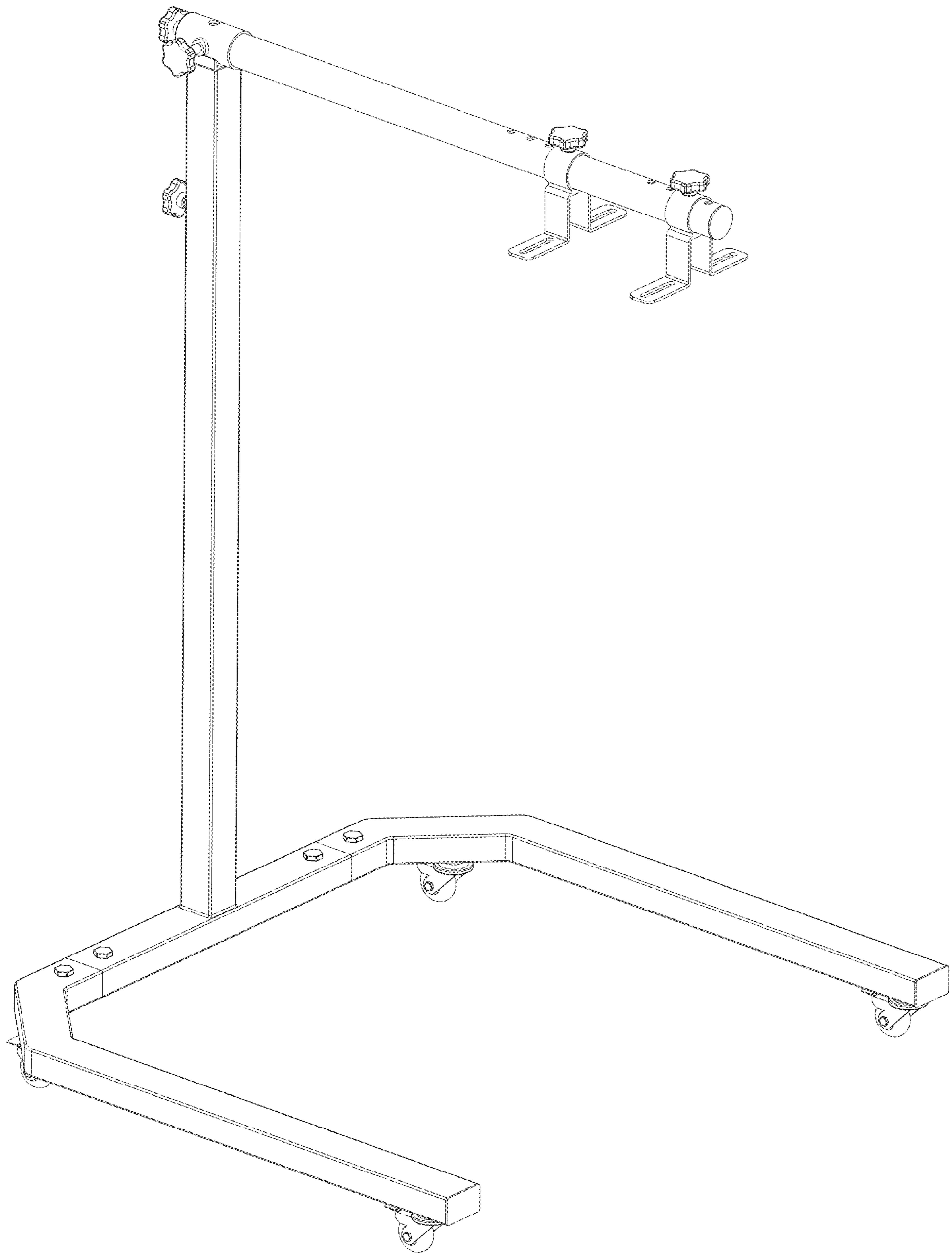


FIG. 1

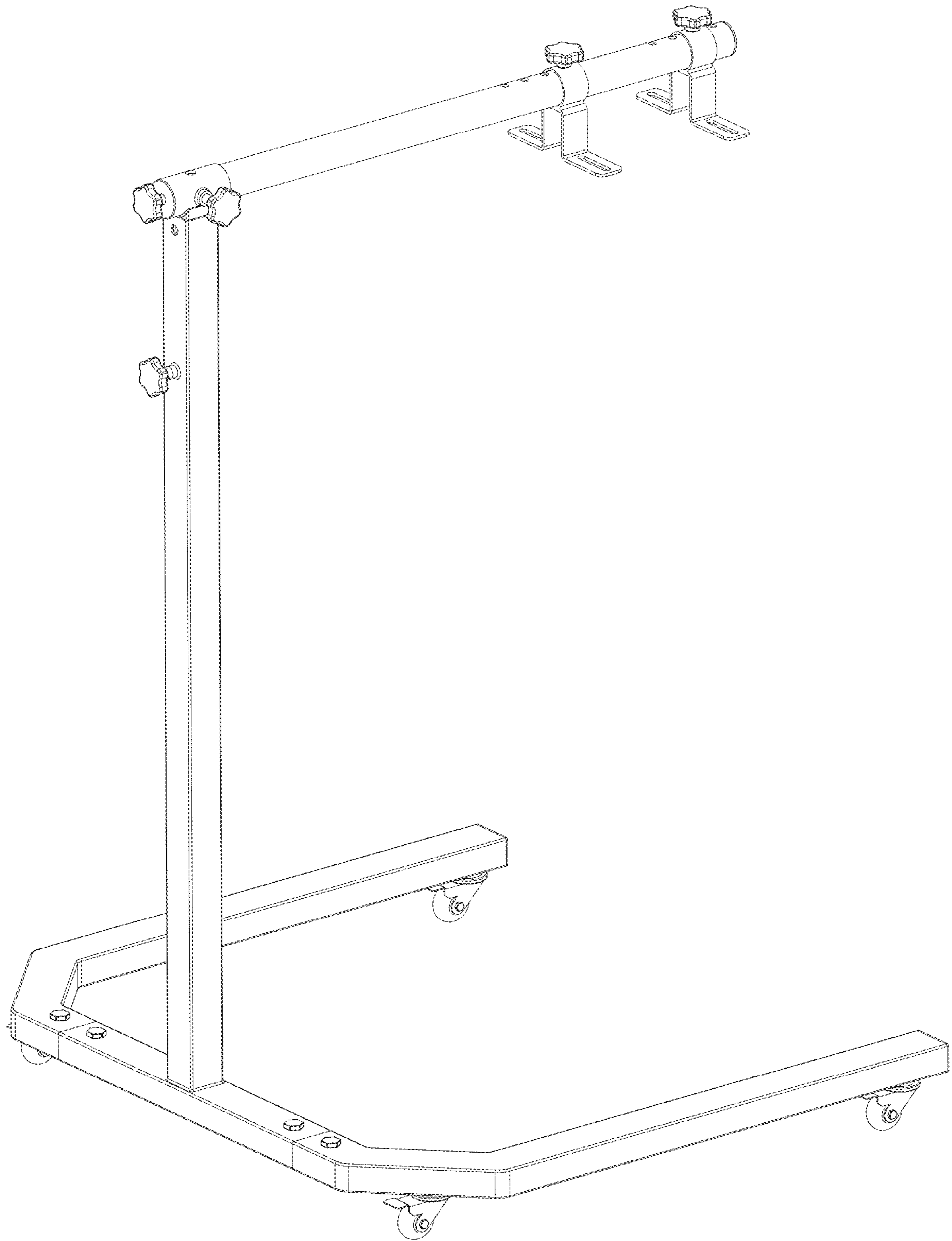


FIG. 2

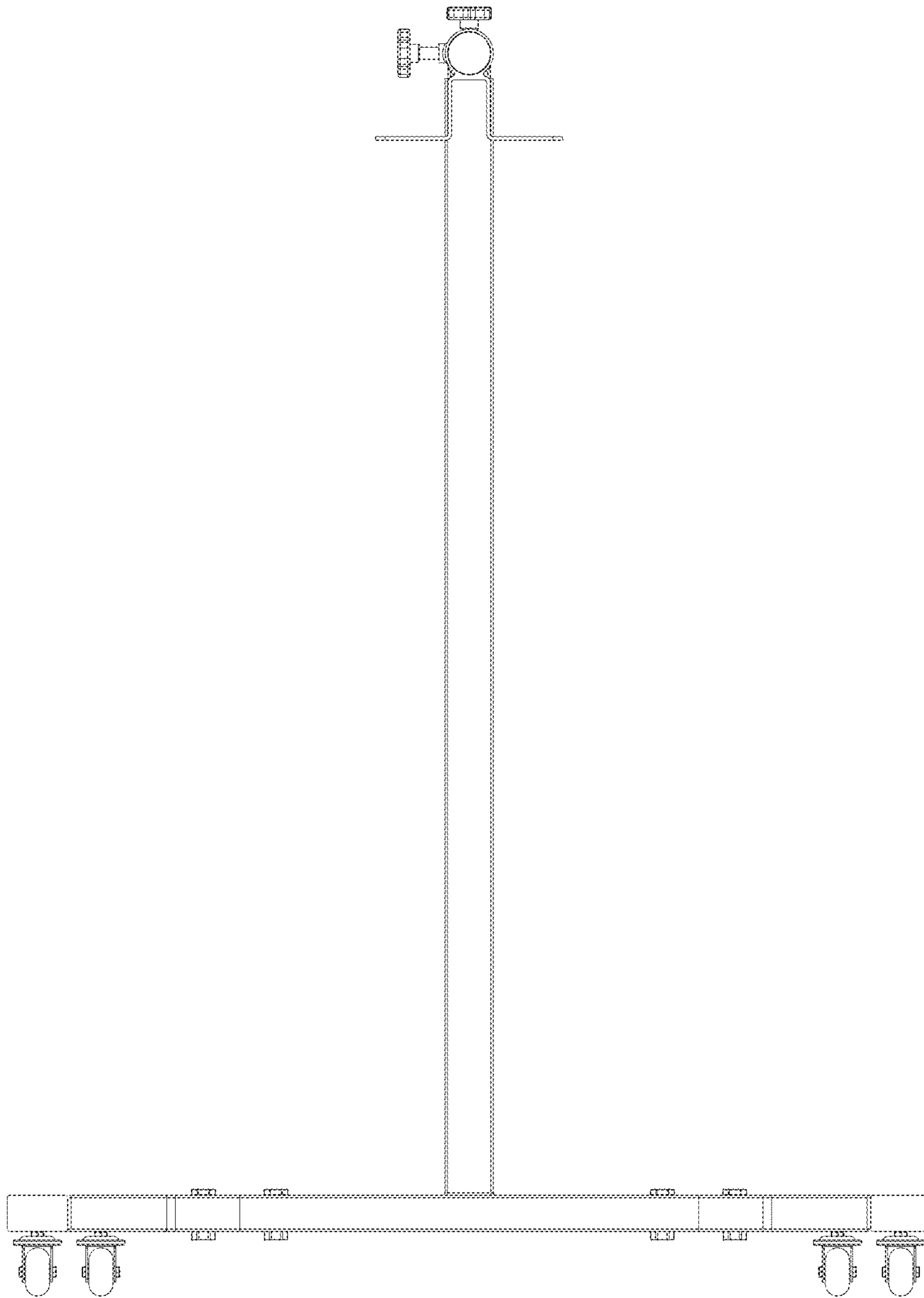


FIG. 3

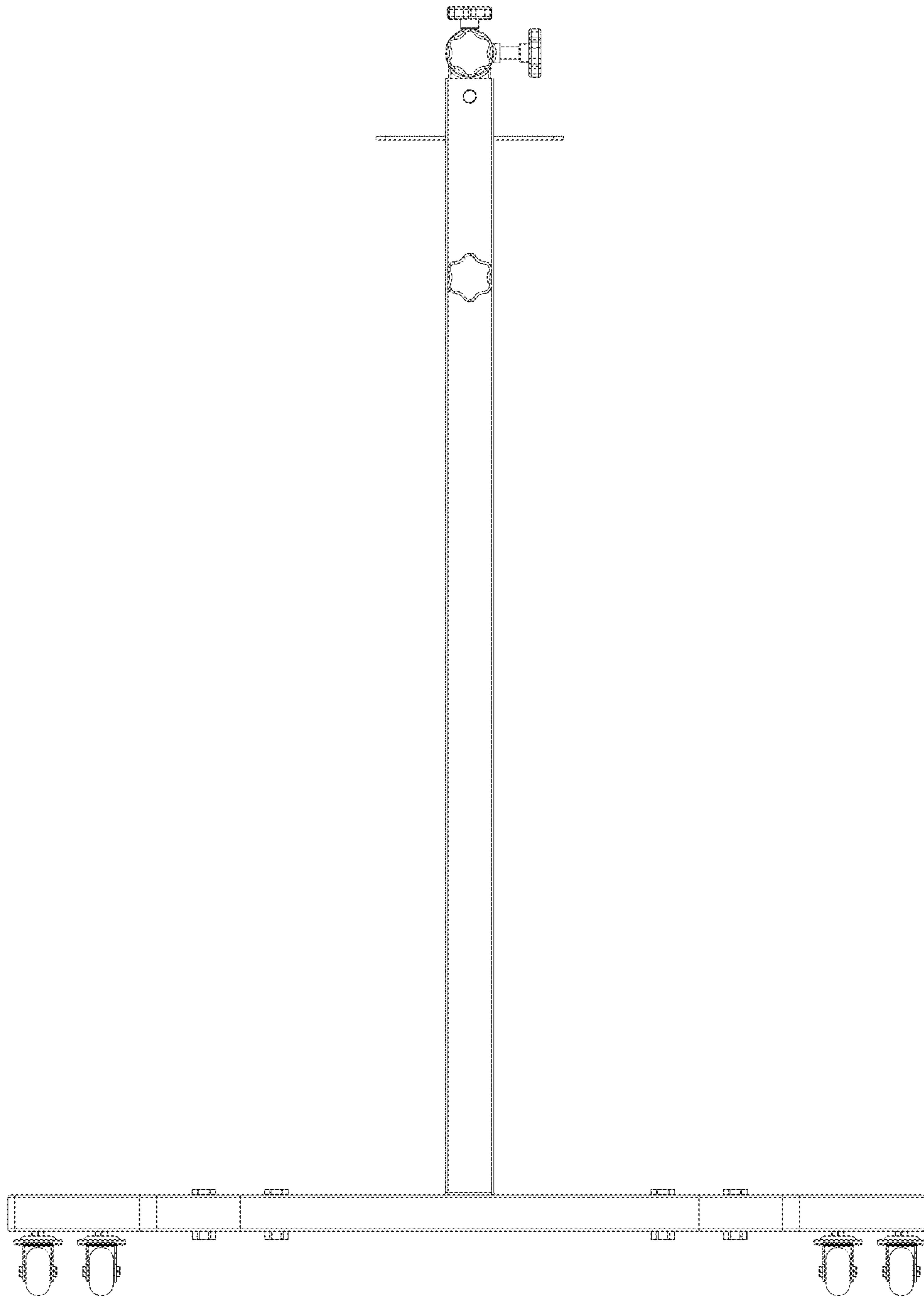


FIG. 4

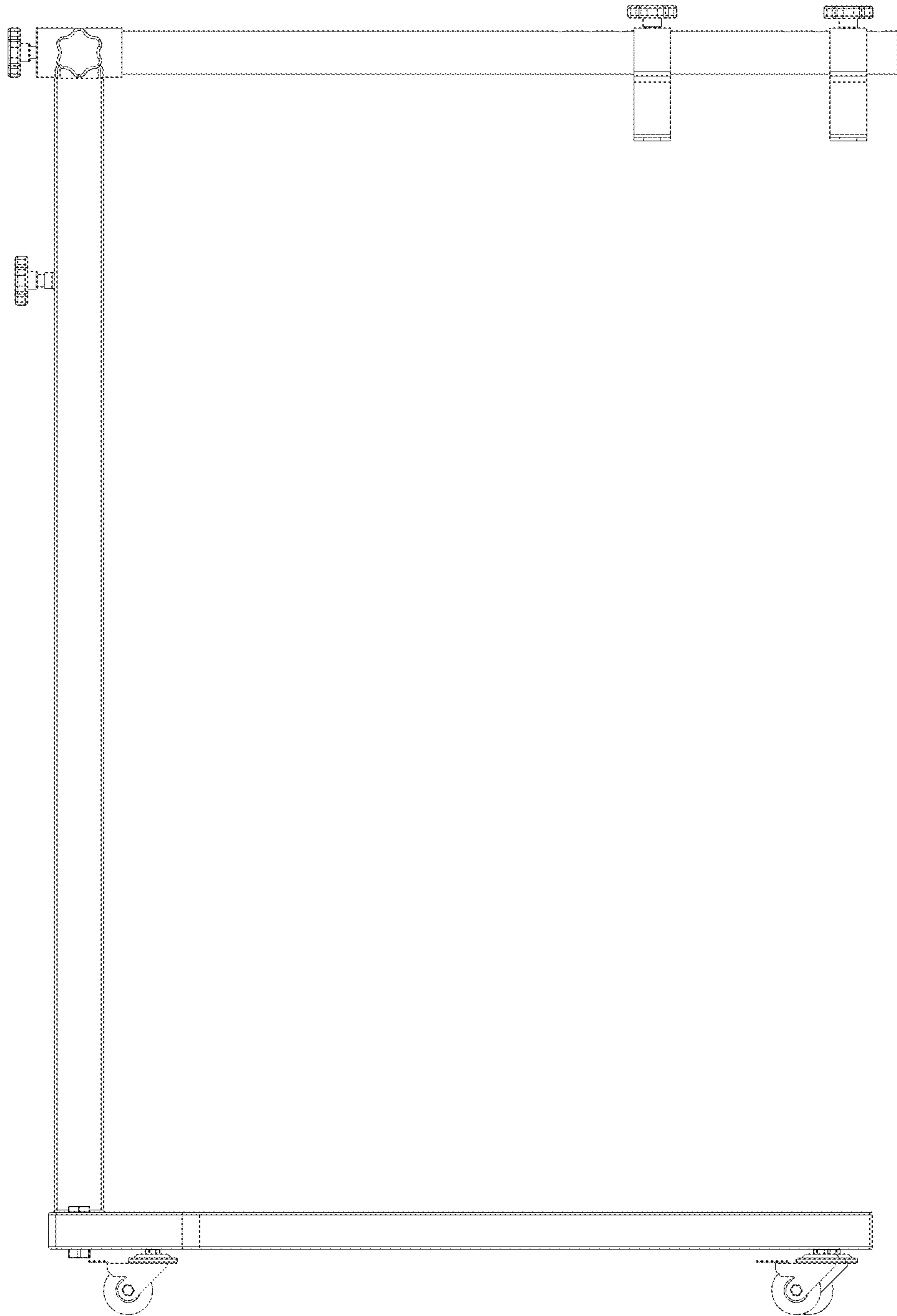


FIG. 5

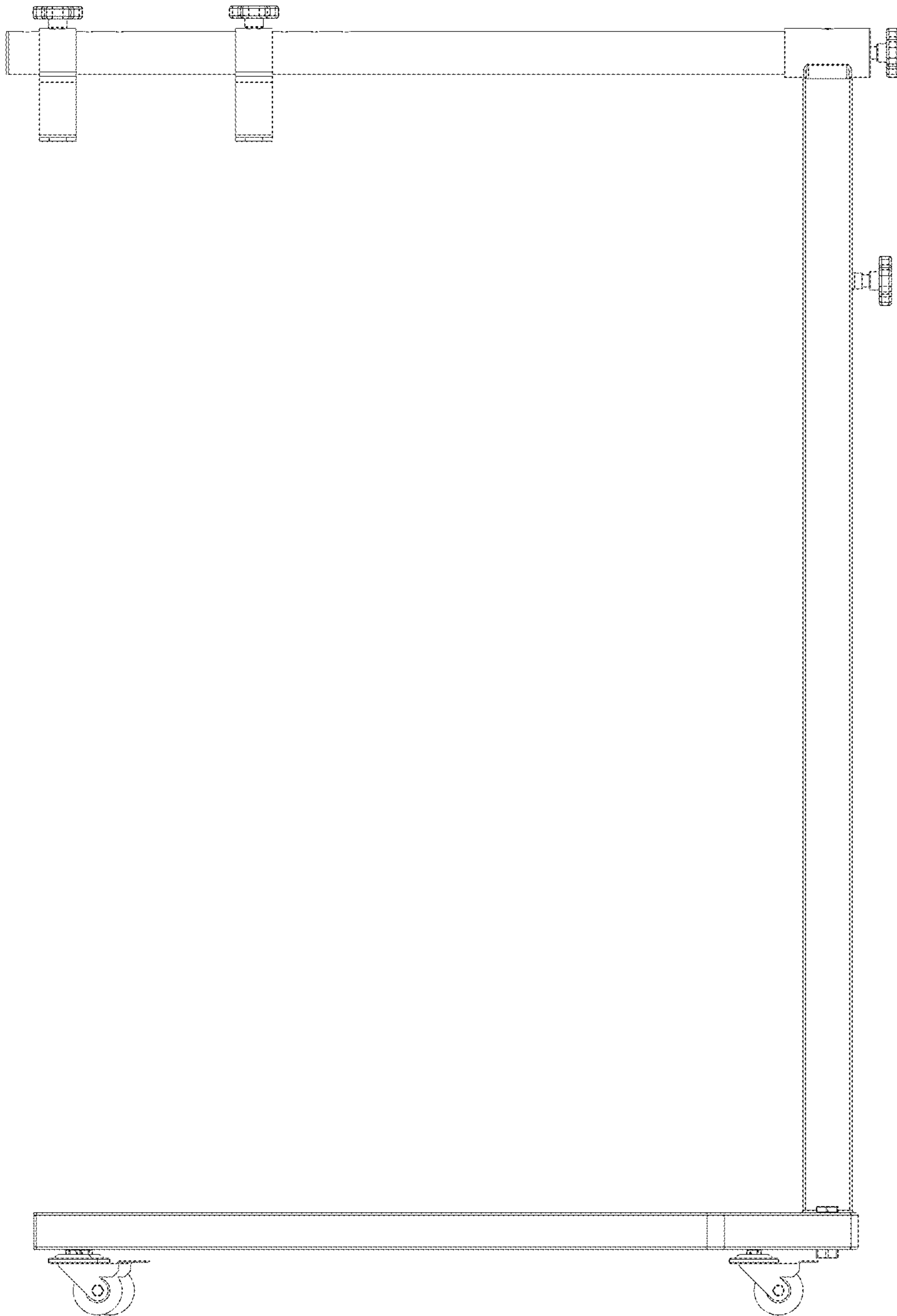


FIG. 6

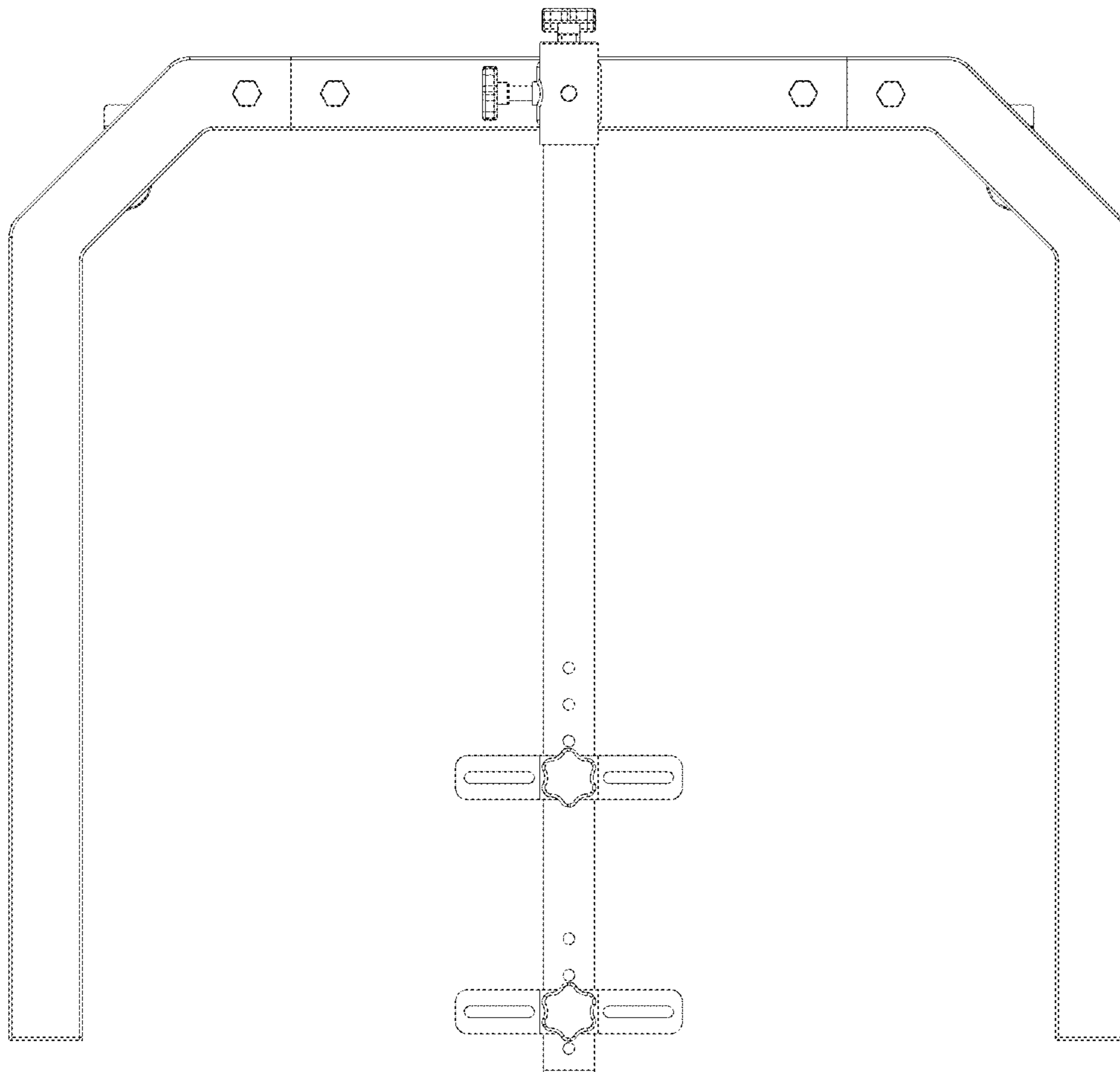


FIG. 7

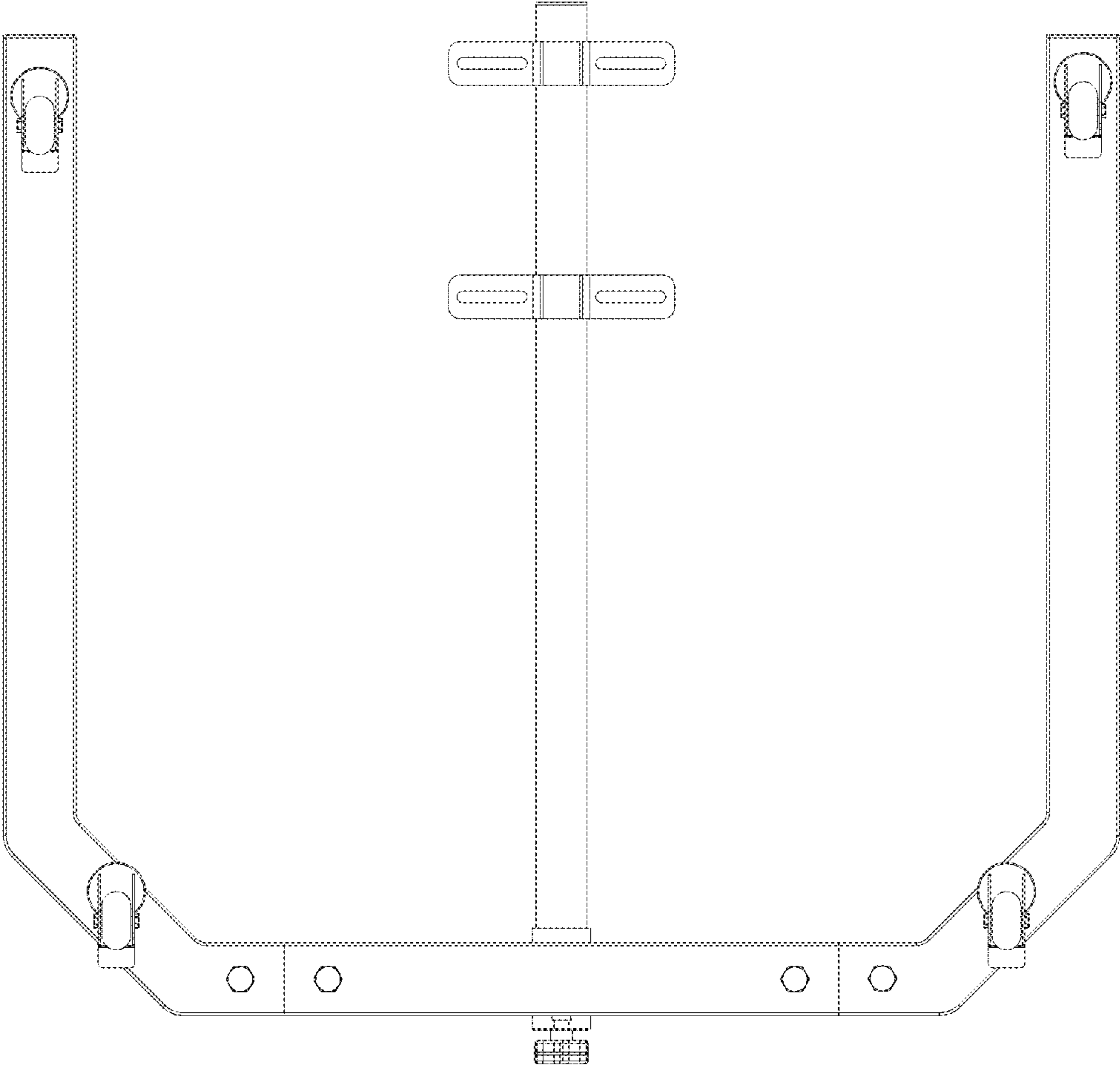


FIG. 8