

US00D931022S

(12) **United States Design Patent** (10) **Patent No.:** **US D931,022 S**
Lin (45) **Date of Patent:** **** Sep. 21, 2021**

(54) **STORAGE SHELVES**
(71) Applicant: **Gaoqun Lin**, Hangzhou (CN)
(72) Inventor: **Gaoqun Lin**, Hangzhou (CN)
(**) Term: **15 Years**
(21) Appl. No.: **29/764,790**
(22) Filed: **Jan. 2, 2021**
(51) **LOC (13) Cl.** **06-06**
(52) **U.S. Cl.**
USPC **D6/675.1**
(58) **Field of Classification Search**
USPC D6/672, 675, 675.1, 675.2, 675.3, 675.4,
D6/675.5
CPC A47F 1/00; A47F 5/0018; A47F 5/0043;
A47B 96/00; A47B 96/02; A47B 47/00;
A47B 47/021
See application file for complete search history.

D838,523 S * 1/2019 Yamamoto D6/675.1
D848,770 S * 5/2019 Davis D6/675.1
D878,116 S * 3/2020 Davis D6/675.1
D885,091 S * 5/2020 Davis D6/675.3
D916,537 S * 4/2021 Davis D6/675.1
D920,014 S * 5/2021 Chu D6/675.1
D920,015 S * 5/2021 Ye D6/675.1
D920,016 S * 5/2021 Ye D6/675.1
D922,799 S * 6/2021 Davis D6/661
D922,808 S * 6/2021 Lin D6/675.1

* cited by examiner

Primary Examiner — Kelley A Donnelly
(74) *Attorney, Agent, or Firm* — Zhihua Han; Wen IP LLC

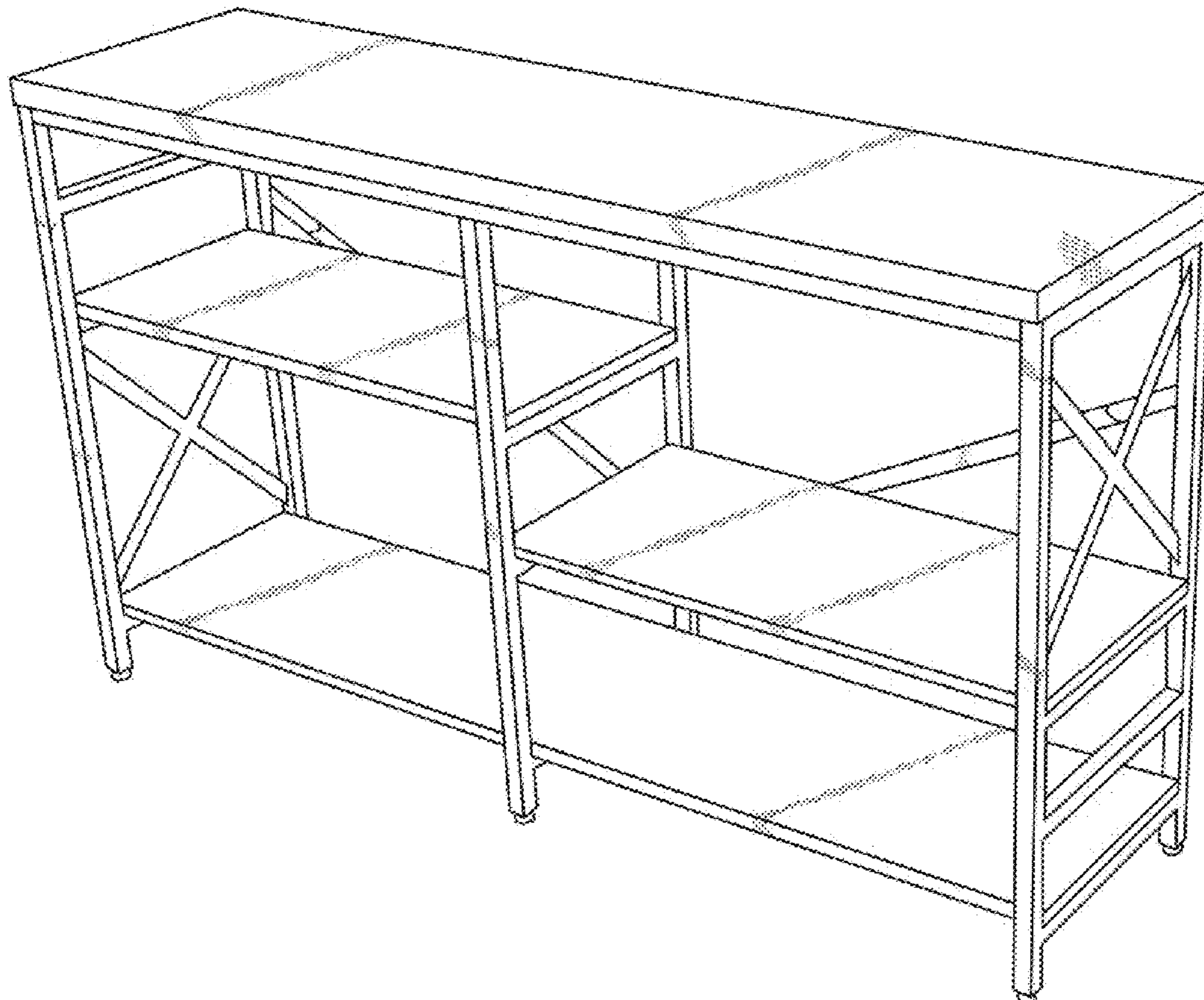
(57) **CLAIM**
The ornamental design for a storage shelves, as shown and described.

DESCRIPTION

FIG. 1 is a perspective view of a storage shelves, showing my new design;
FIG. 2 is a front elevation view thereof;
FIG. 3 is a rear elevation view thereof;
FIG. 4 is a left side elevation view thereof;
FIG. 5 is a right side elevation view thereof;
FIG. 6 is a top plan view thereof; and,
FIG. 7 is a bottom plan view thereof.

1 Claim, 7 Drawing Sheets

(56) **References Cited**
U.S. PATENT DOCUMENTS
D448,209 S 9/2001 Sadler
D742,142 S * 11/2015 Everson D6/675.1
D778,641 S 2/2017 Anderson
D778,646 S * 2/2017 Davis D6/699
D835,437 S * 12/2018 Stukenberg D6/675



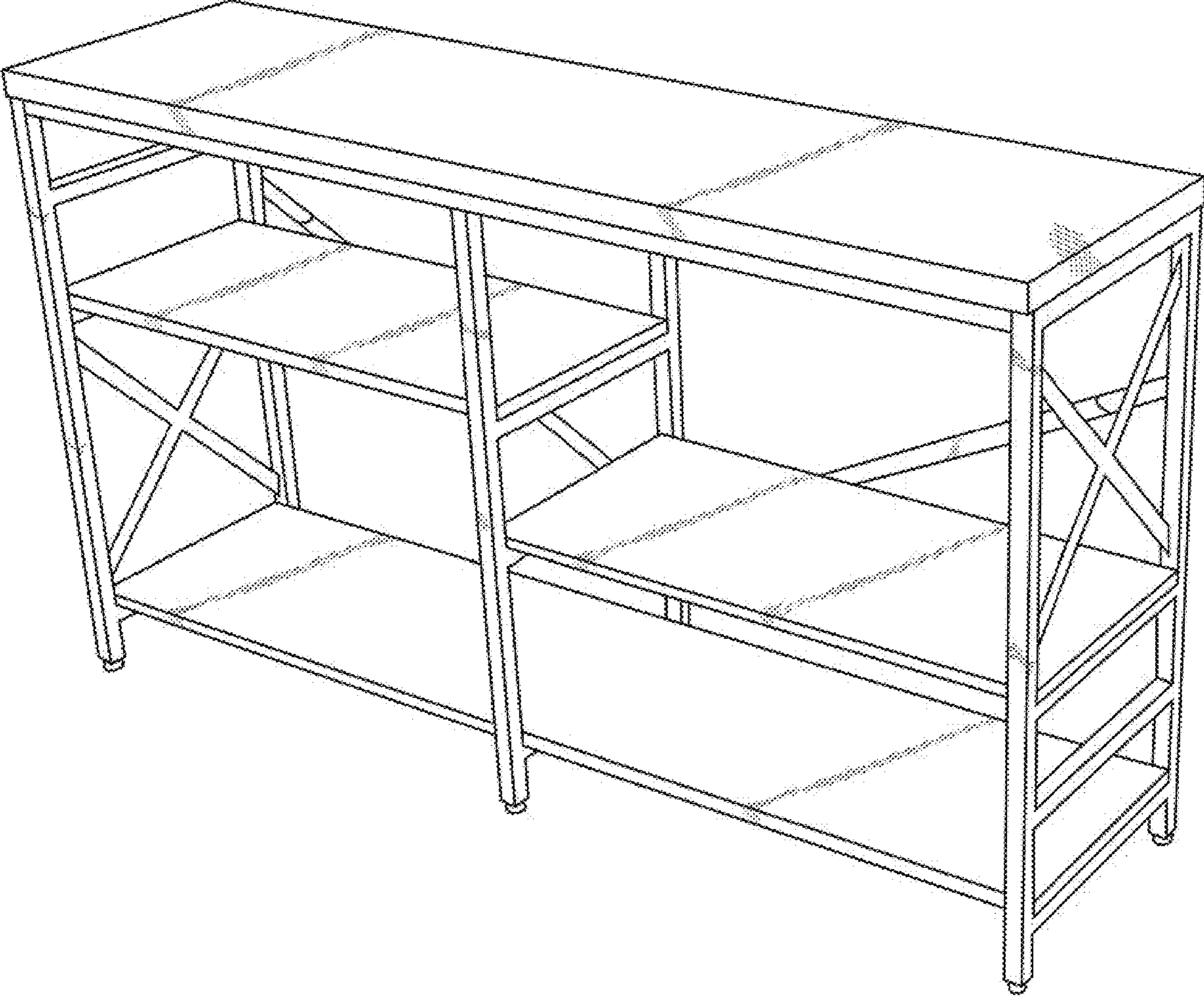


FIG. 1

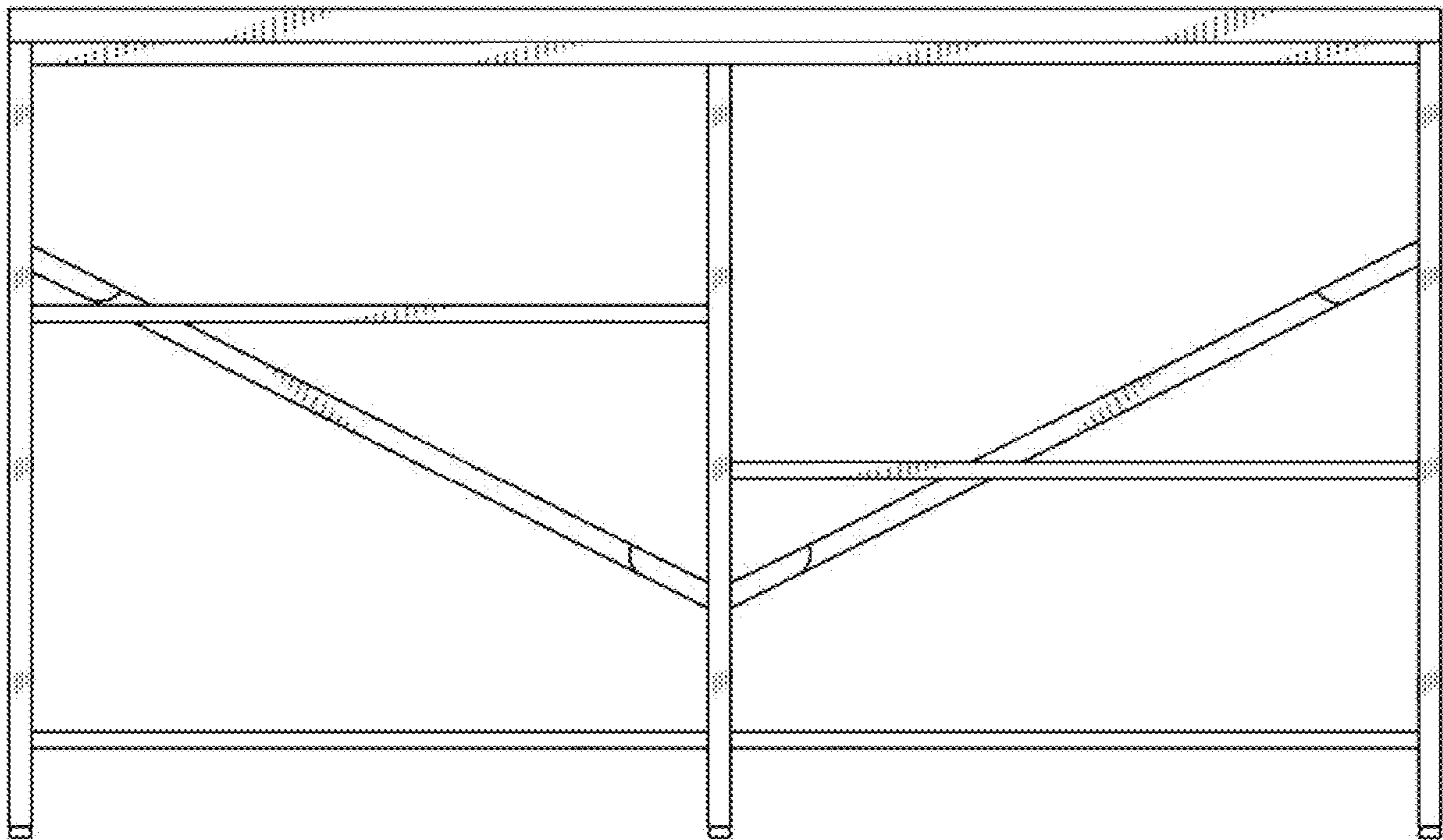


FIG. 2

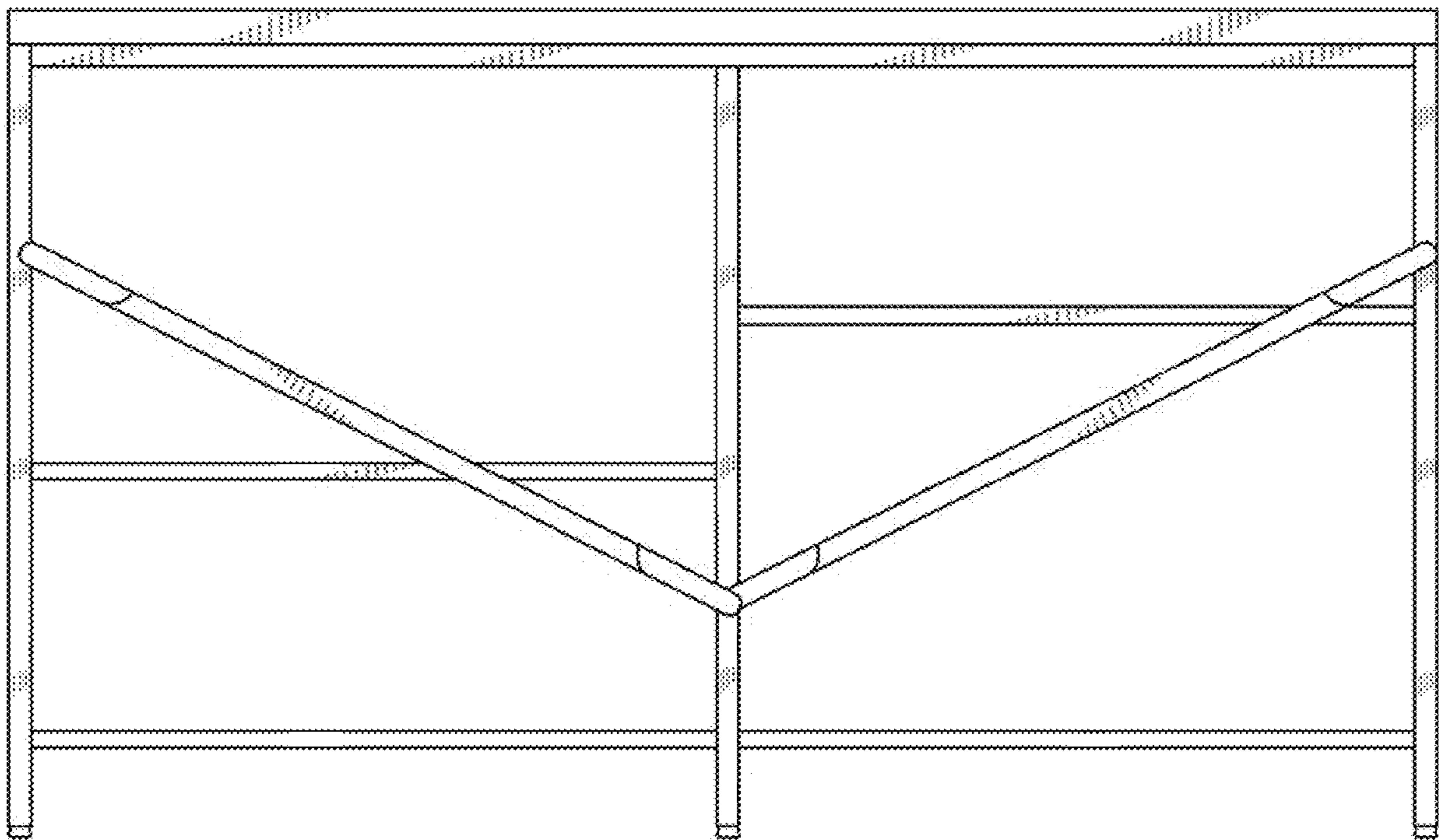


FIG. 3

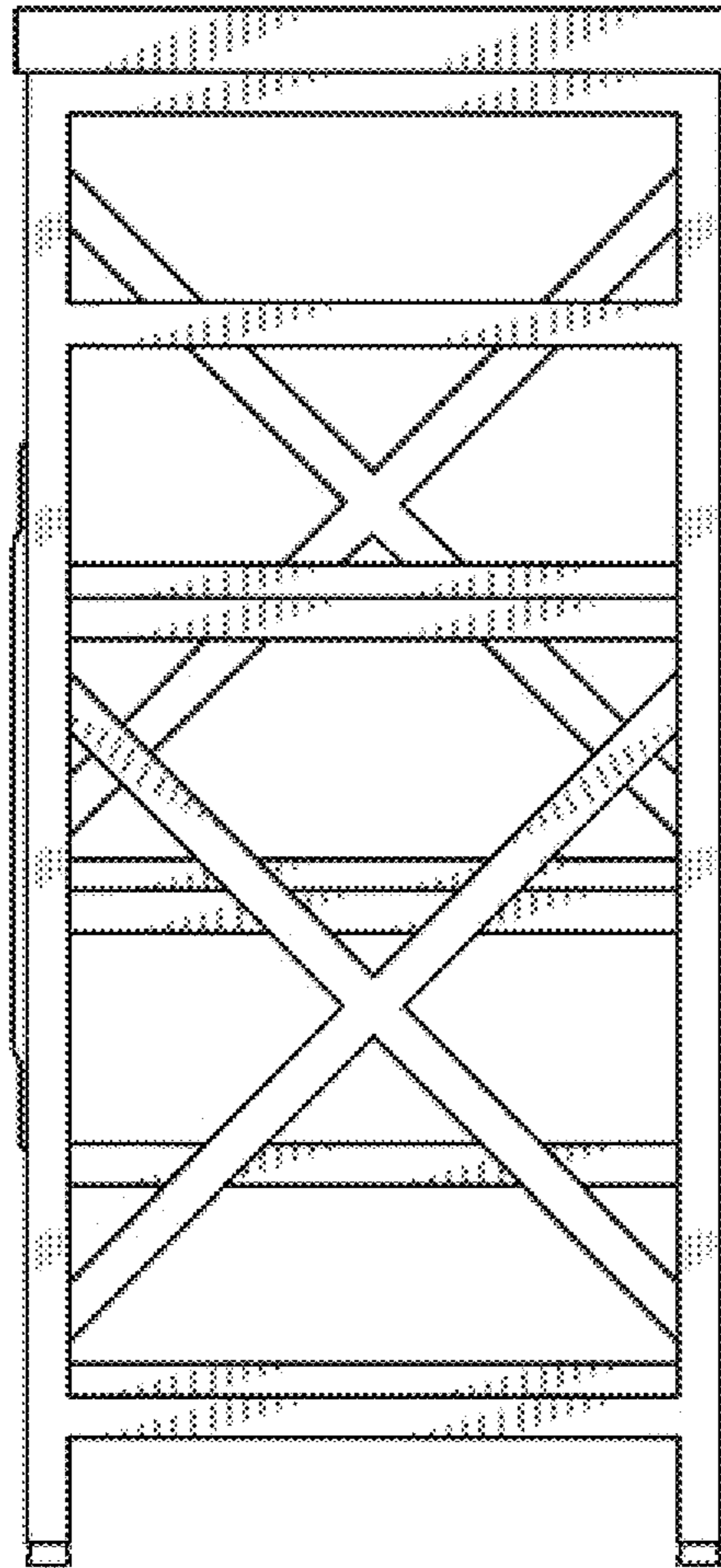


FIG. 4

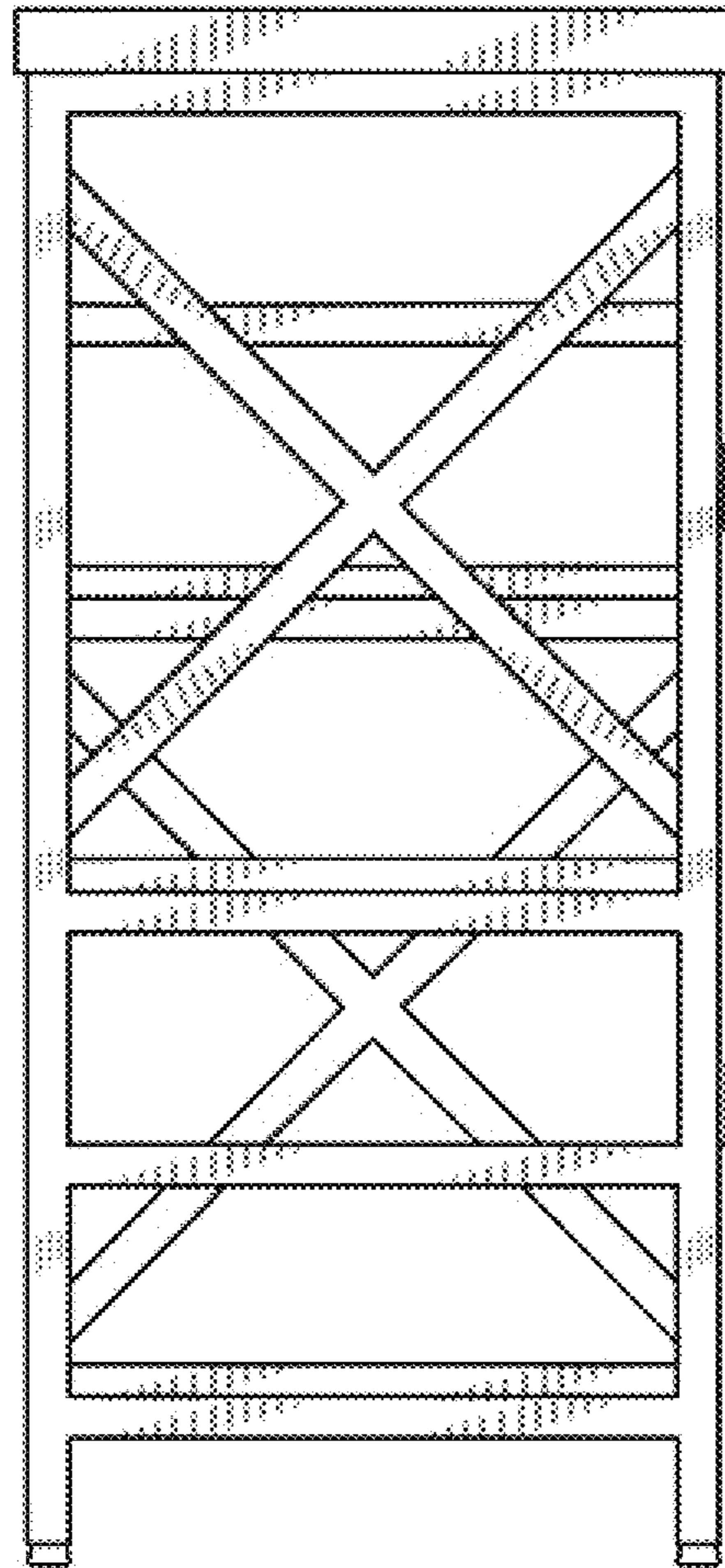


FIG. 5

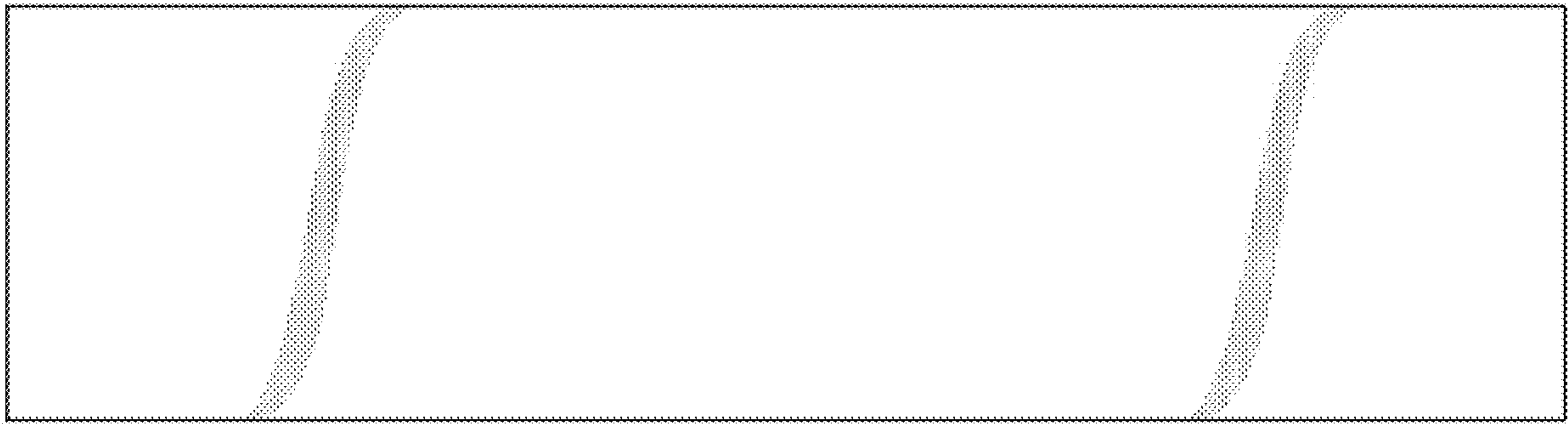


FIG. 6

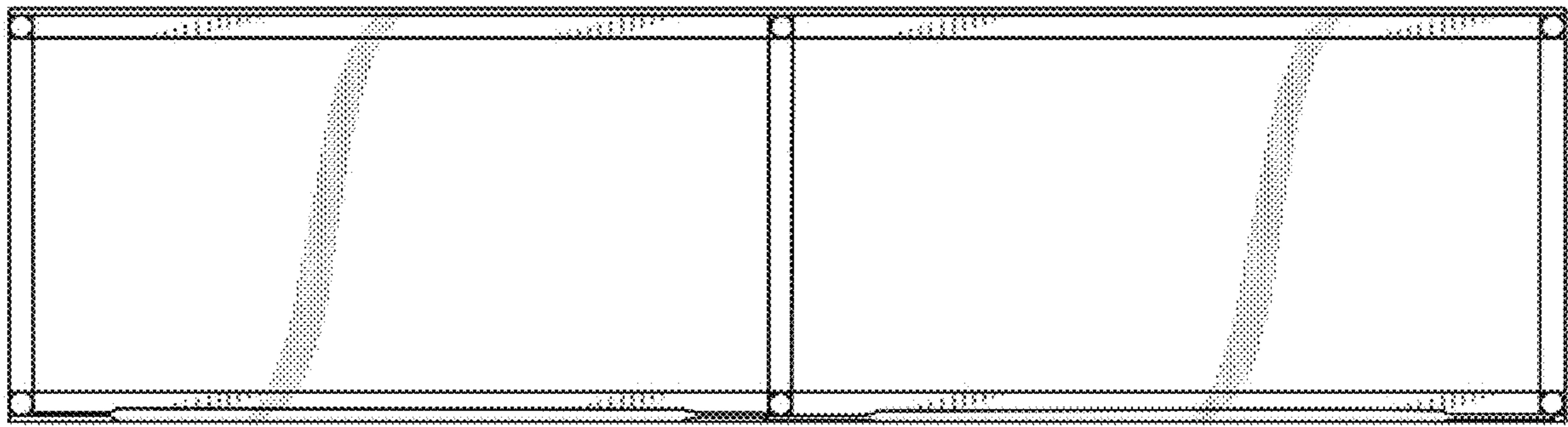


FIG. 7