



US00D931021S

(12) **United States Design Patent** (10) **Patent No.:** **US D931,021 S**
Bogdan (45) **Date of Patent:** **** Sep. 21, 2021**

(54) **MATTRESS DISPLAY RACK**
(71) Applicant: **CVB INC**, Logan, UT (US)
(72) Inventor: **Holly Bogdan**, Logan, UT (US)
(**) Term: **15 Years**
(21) Appl. No.: **29/734,268**
(22) Filed: **May 11, 2020**
(51) **LOC (13) Cl.** **06-06**
(52) **U.S. Cl.**
USPC **D6/675**
(58) **Field of Classification Search**
USPC D6/672, 675, 675.1, 681, 681.1, 682,
D6/682.5, 682.6
CPC A47B 55/00; A47B 81/00; A47B 81/005;
A47B 96/14; A47F 5/0018; A47F 7/00;
A47F 7/30
See application file for complete search history.

(56) **References Cited**
U.S. PATENT DOCUMENTS
D200,813 S * 4/1965 Cripe D6/675
6,485,538 B1 * 11/2002 Toyoshima B01D 46/521
55/490
D467,450 S * 12/2002 Trulaske, Sr. D15/81
7,258,196 B2 * 8/2007 Radatus F16L 55/0331
138/39
D584,807 S * 1/2009 Sundvik D23/365
D801,730 S * 11/2017 Johnson D6/675.1
D885,804 S * 6/2020 Ni D6/675
D922,109 S * 6/2021 Xu D6/675.5

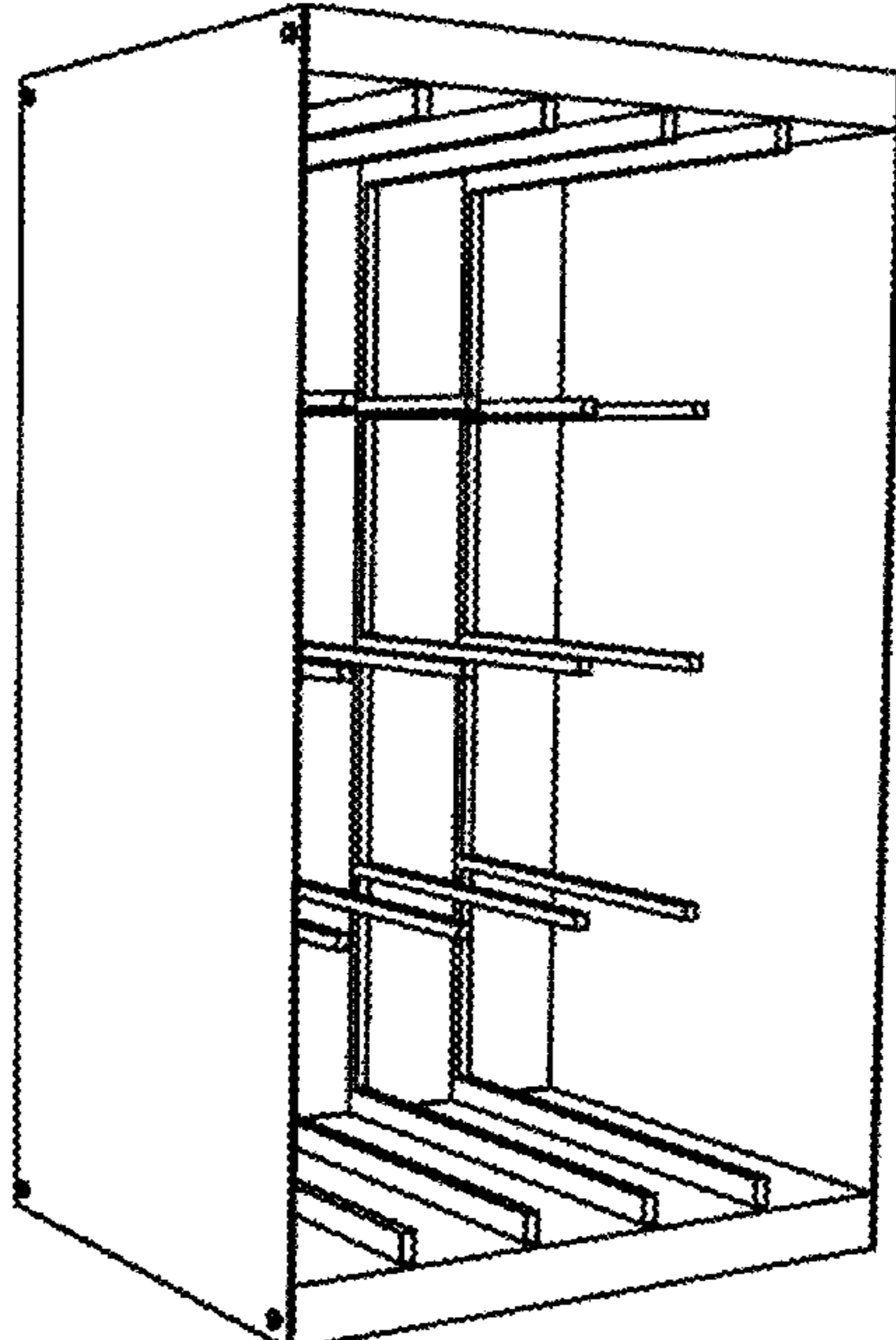
* cited by examiner

Primary Examiner — Kelley A Donnelly

(57) **CLAIM**
The ornamental design for a mattress display rack, as shown and described.

DESCRIPTION
FIG. 1 is a left, front perspective view of a first embodiment of a mattress display rack;
FIG. 2 is a right, front perspective view of the mattress display rack of FIG. 1;
FIG. 3 is a top plan view of the mattress display rack of FIG. 1;
FIG. 4 is a left-side view of the mattress display rack of FIG. 1;
FIG. 5 is a right-side view of the mattress display rack of FIG. 1;
FIG. 6 is a front view of the mattress display rack of FIG. 1;
FIG. 7 is a rear view of the mattress display rack of FIG. 1;
FIG. 8 is a bottom plan view of the mattress display rack of FIG. 1;
FIG. 9 is a left, front perspective view of a second embodiment of a mattress display rack, wherein the capacity of the mattress display rack is twice that of the embodiment of FIG. 1;
FIG. 10 is a right, front perspective view of the mattress display rack of FIG. 2;
FIG. 11 is a top plan view of the mattress display rack of FIG. 2;
FIG. 12 is a left-side view of the mattress display rack of FIG. 2;
FIG. 13 is a right-side view of the mattress display rack of FIG. 2;
FIG. 14 is a front view of the mattress display rack of FIG. 2;
FIG. 15 is a rear view of the mattress display rack of FIG. 2; and,
FIG. 16 is a bottom plan view of the mattress display rack of FIG. 2.

1 Claim, 6 Drawing Sheets



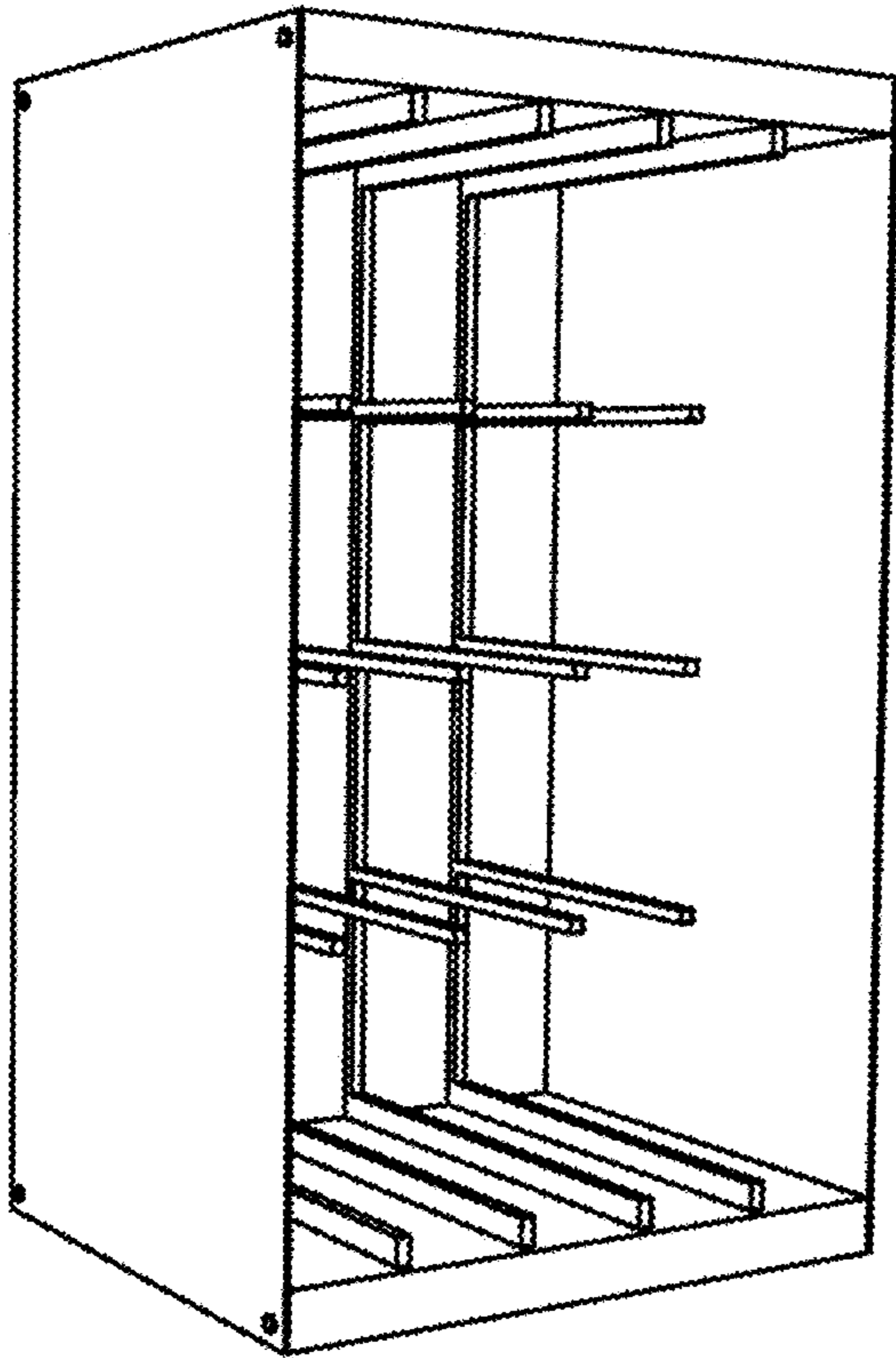


FIG. 1

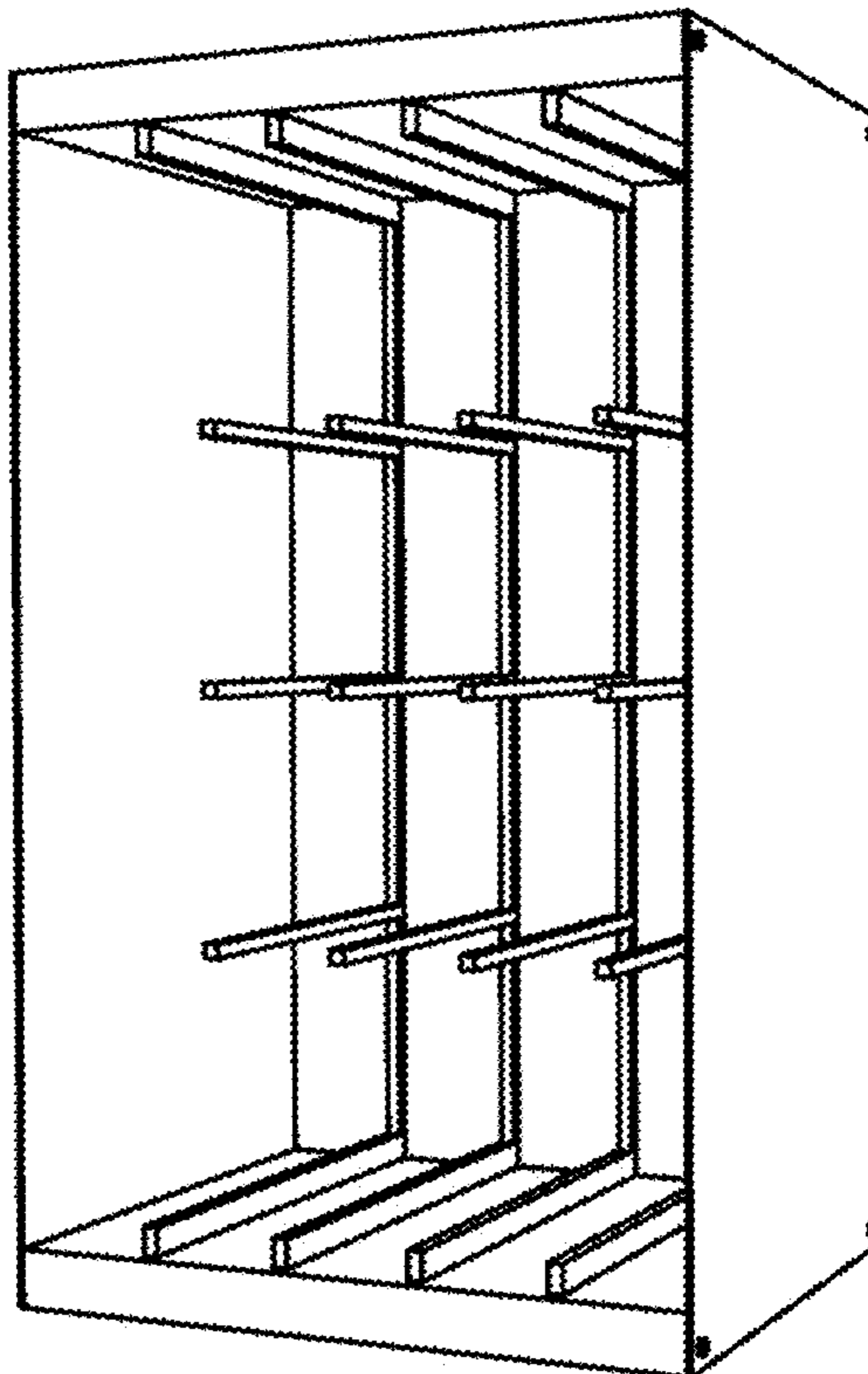


FIG. 2



FIG. 3

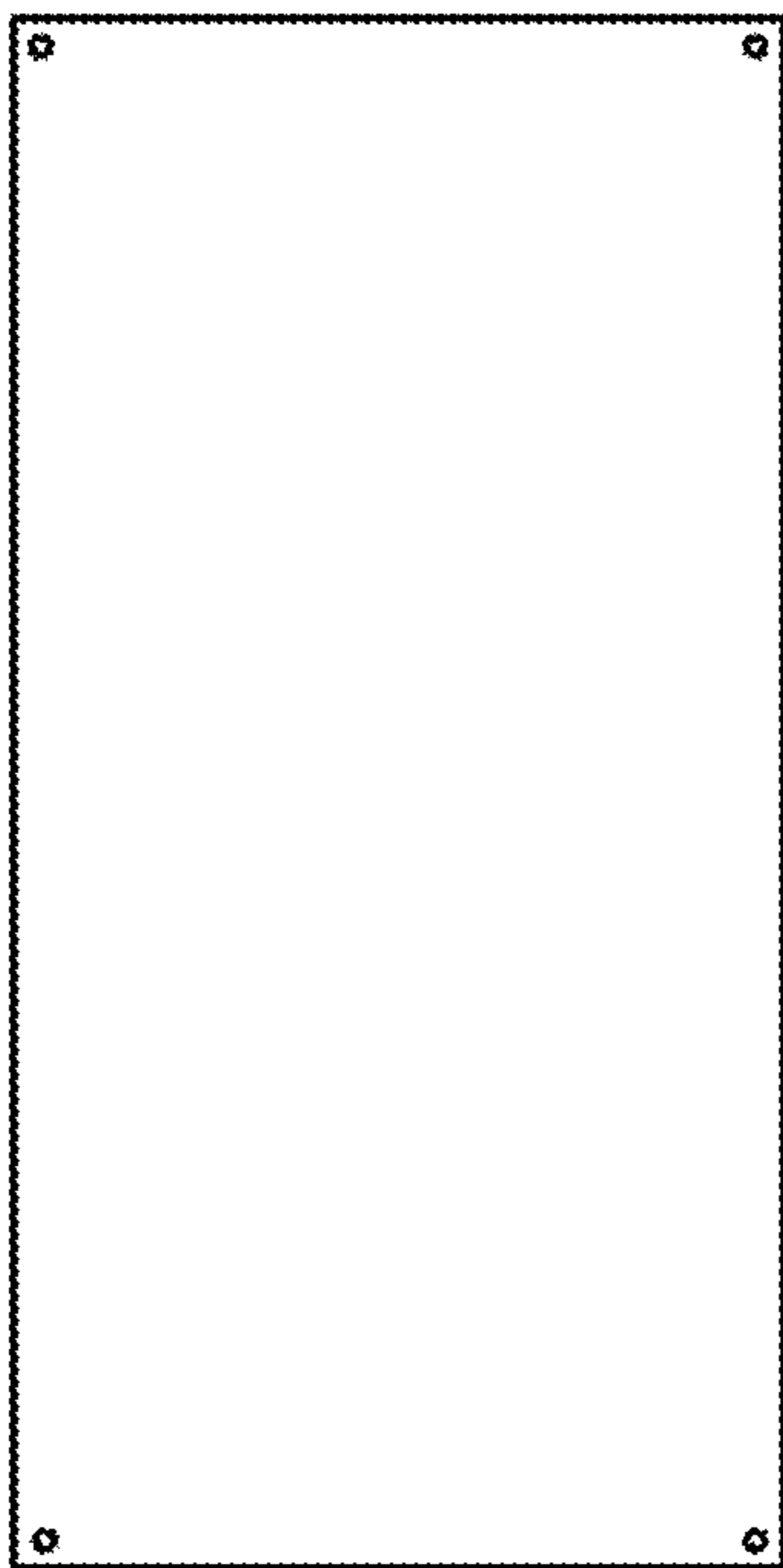


FIG. 4

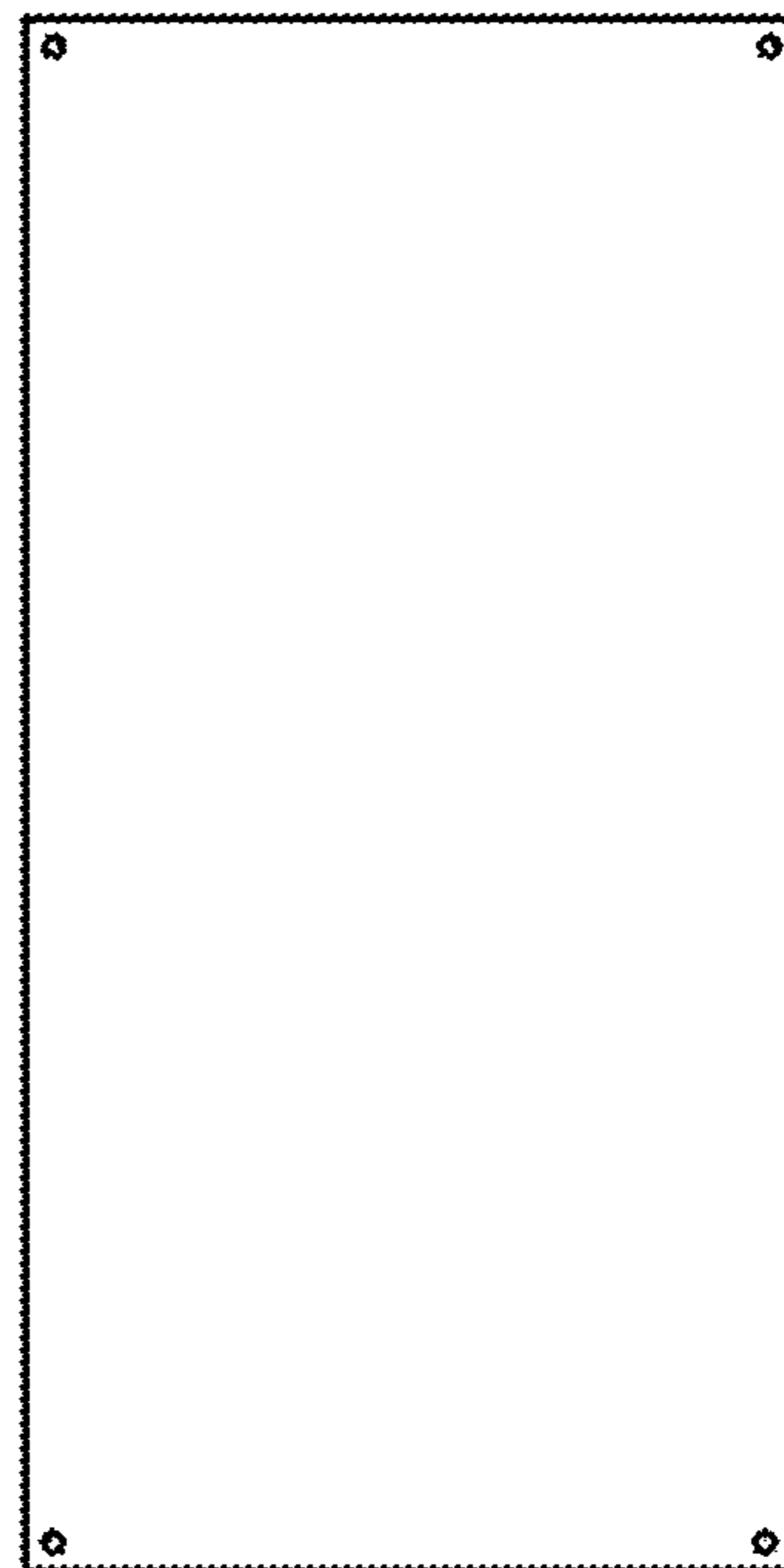


FIG. 5

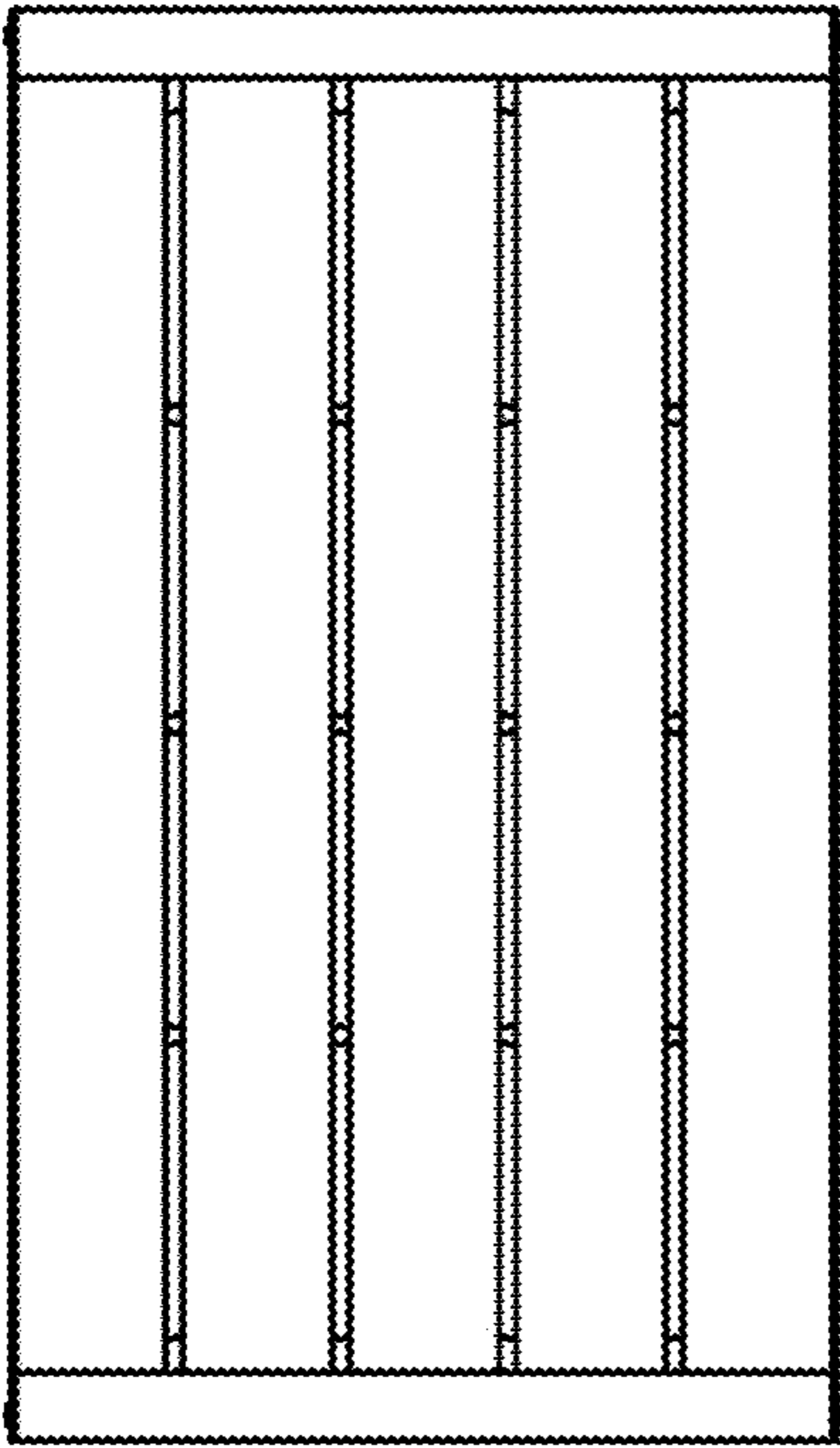


FIG. 6



FIG. 7

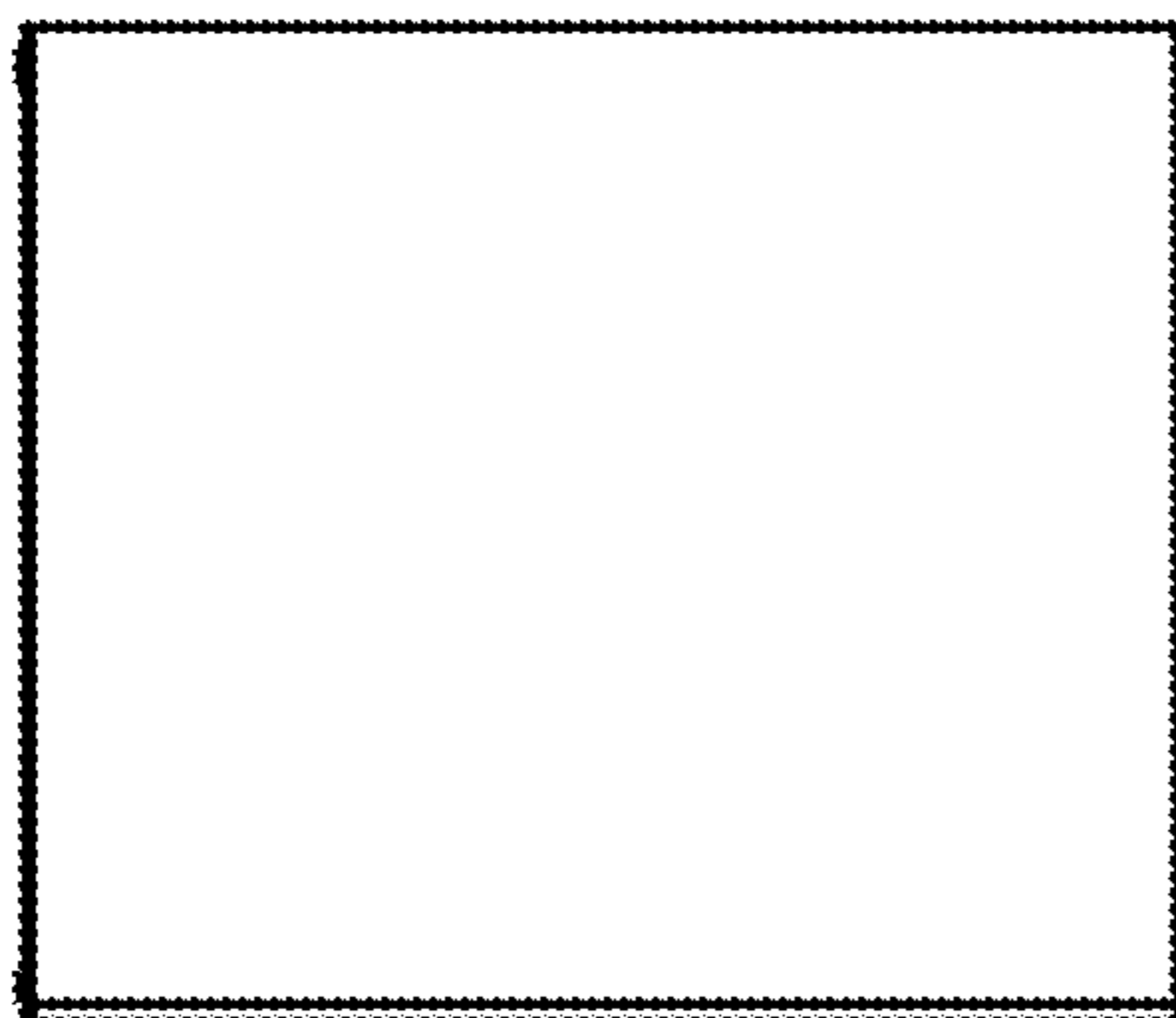


FIG. 8

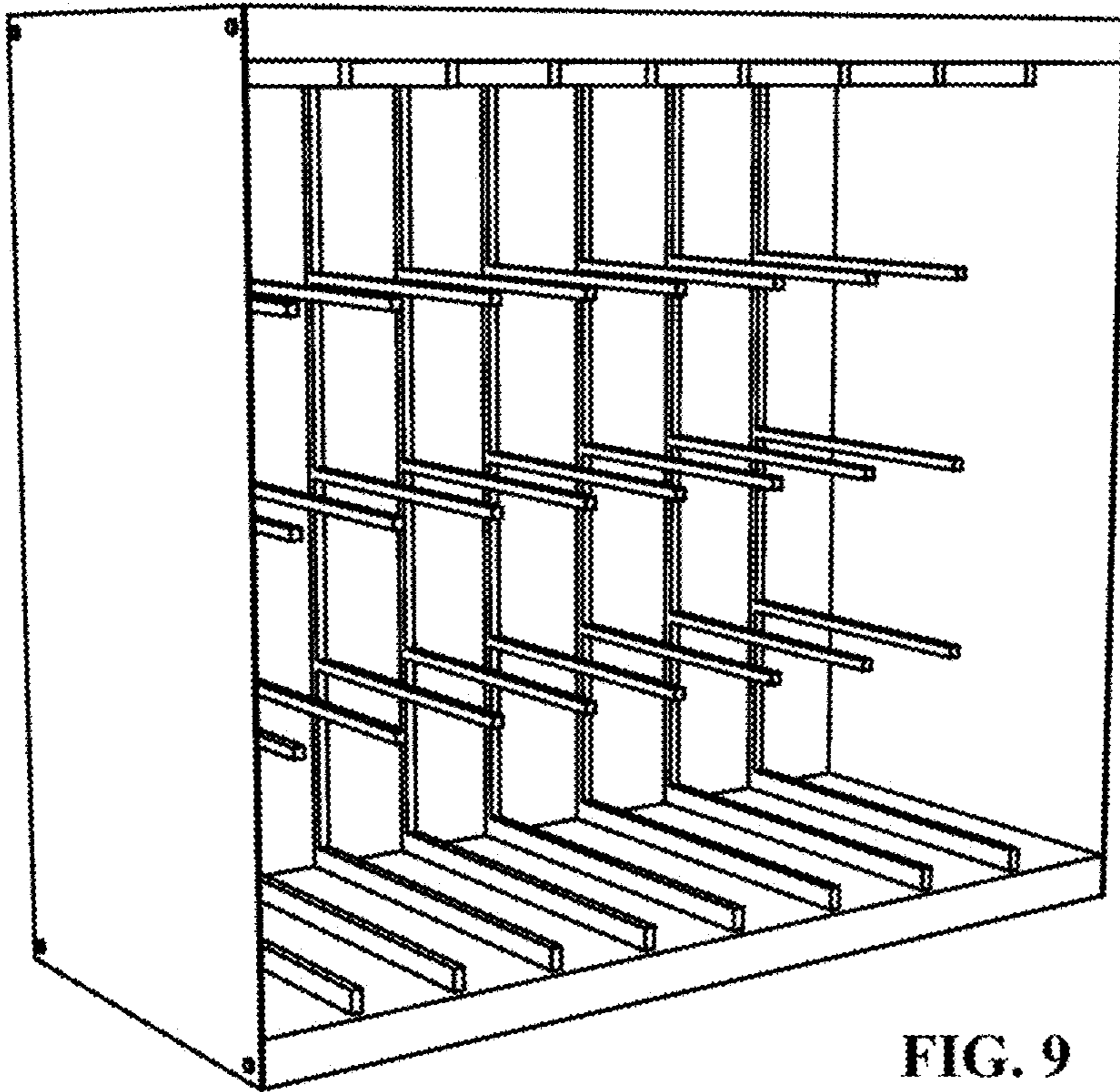


FIG. 9

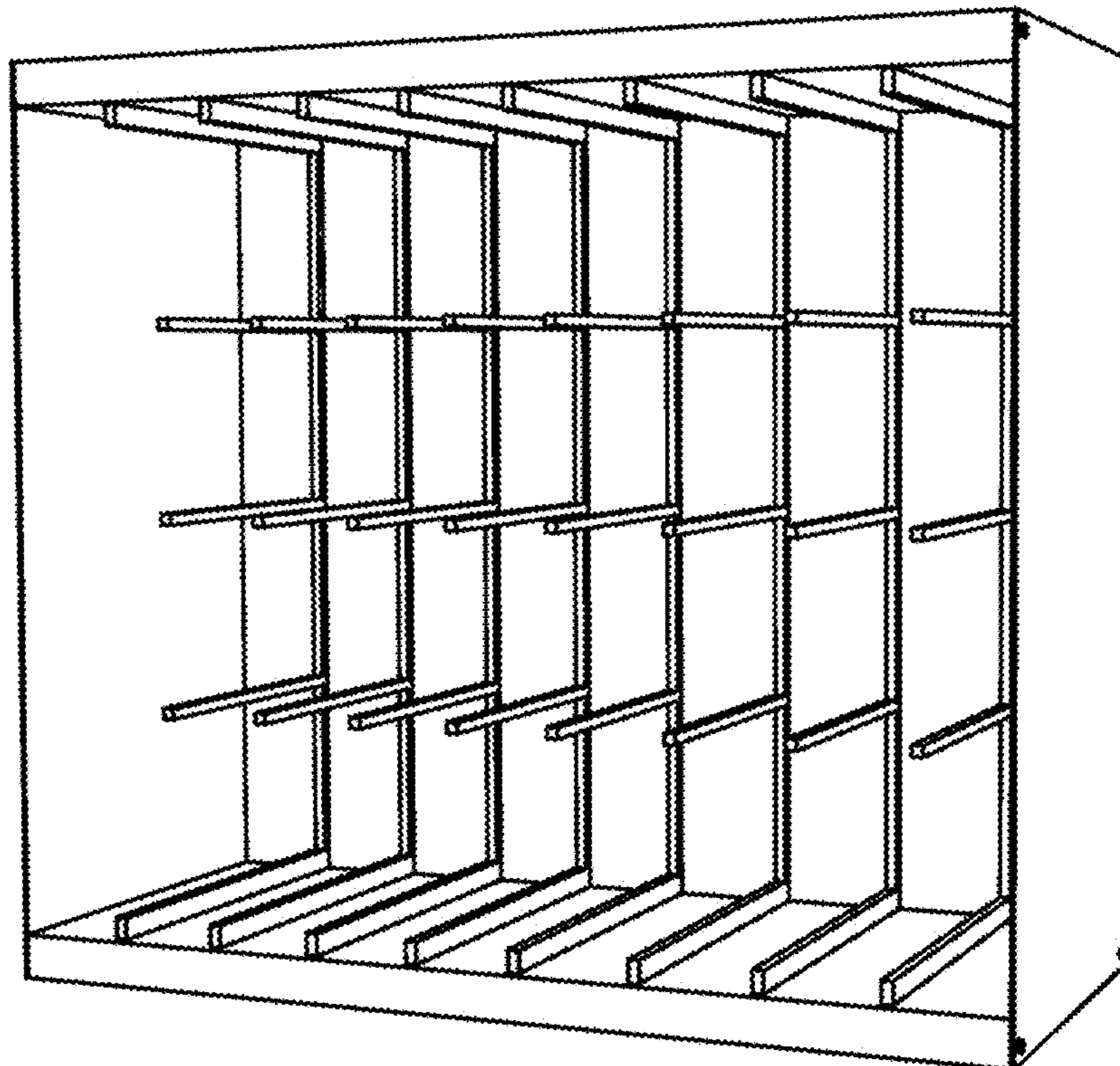


FIG. 10



FIG. 11

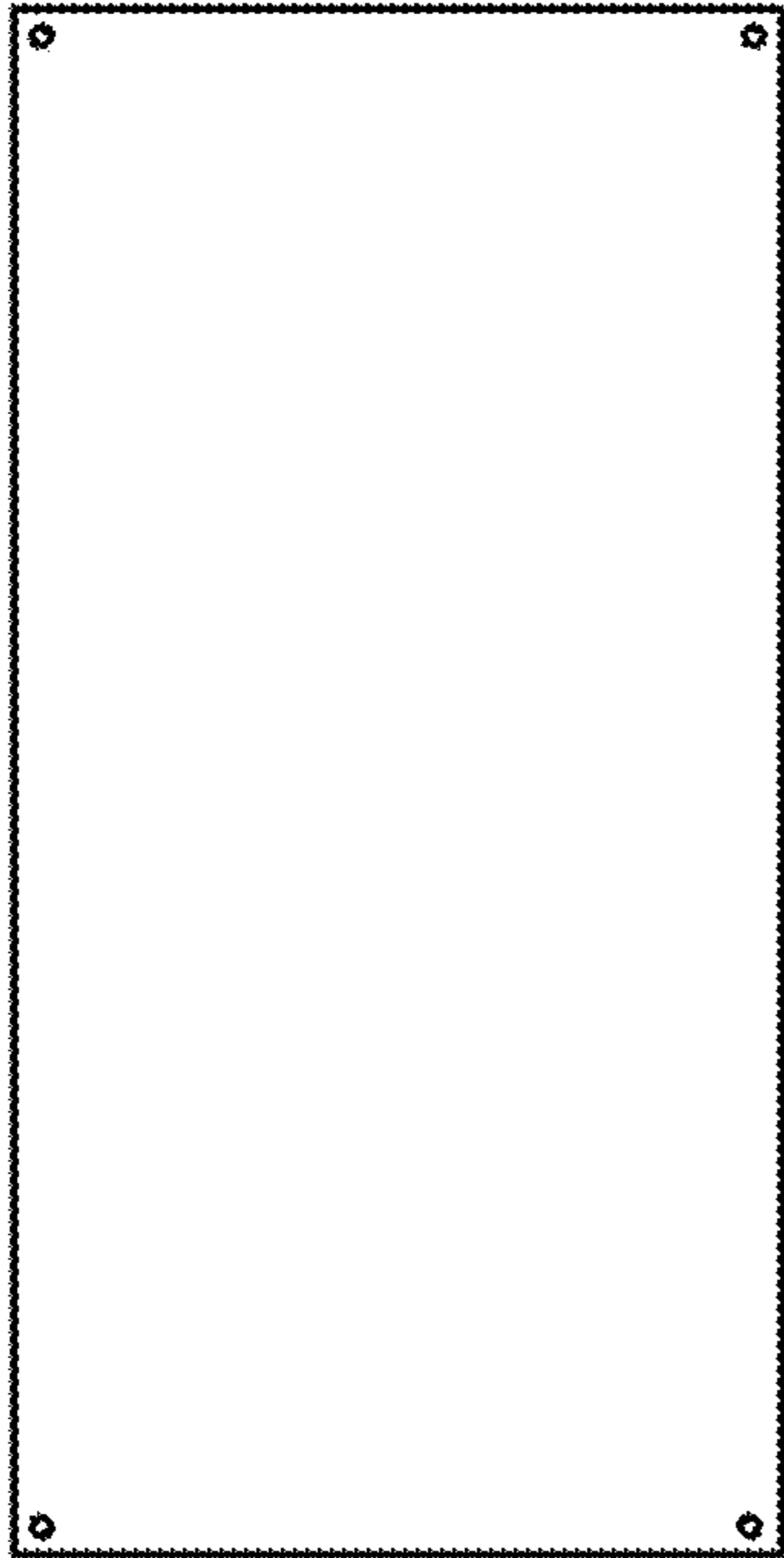


FIG. 12



FIG. 13

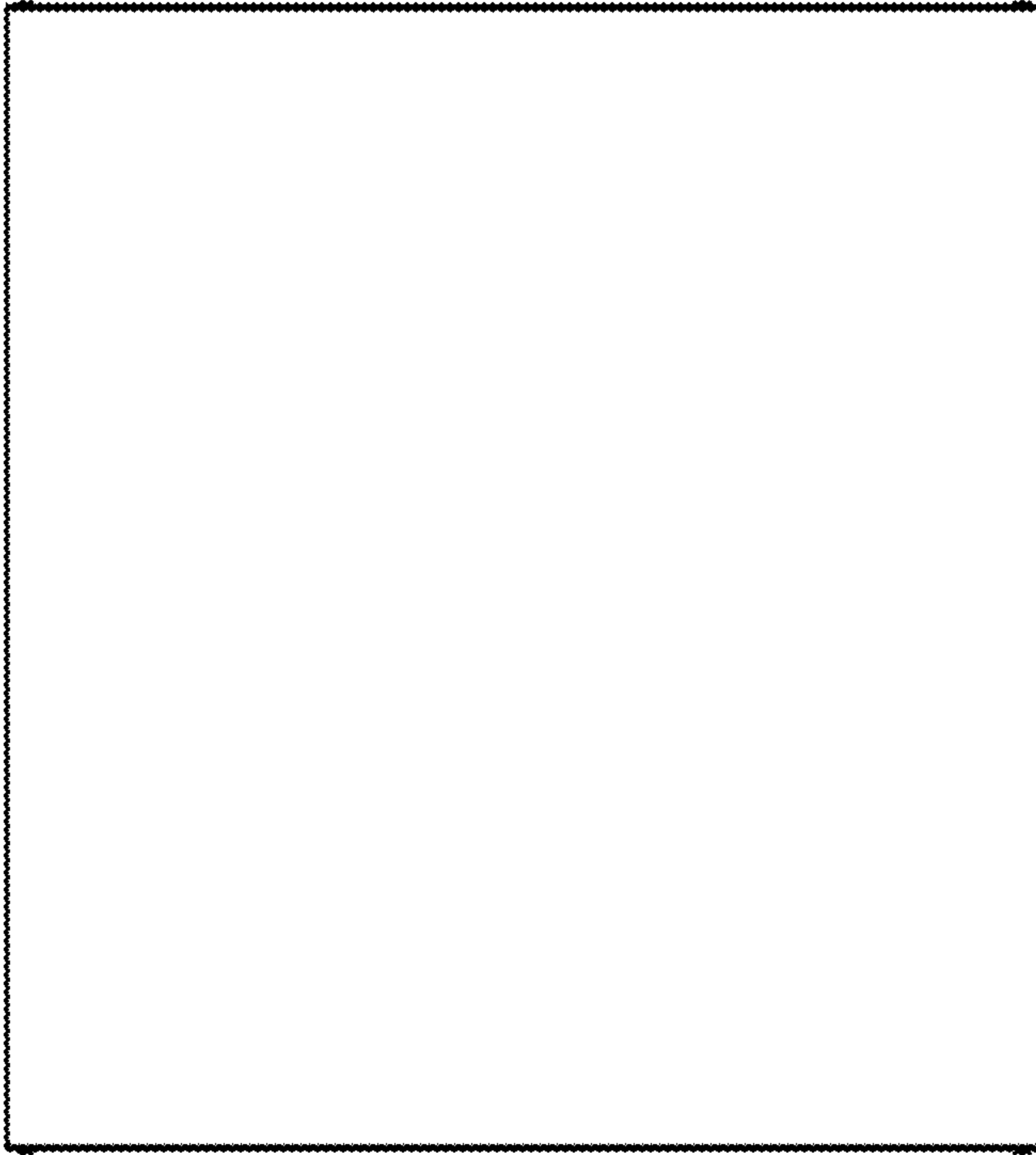


FIG. 15

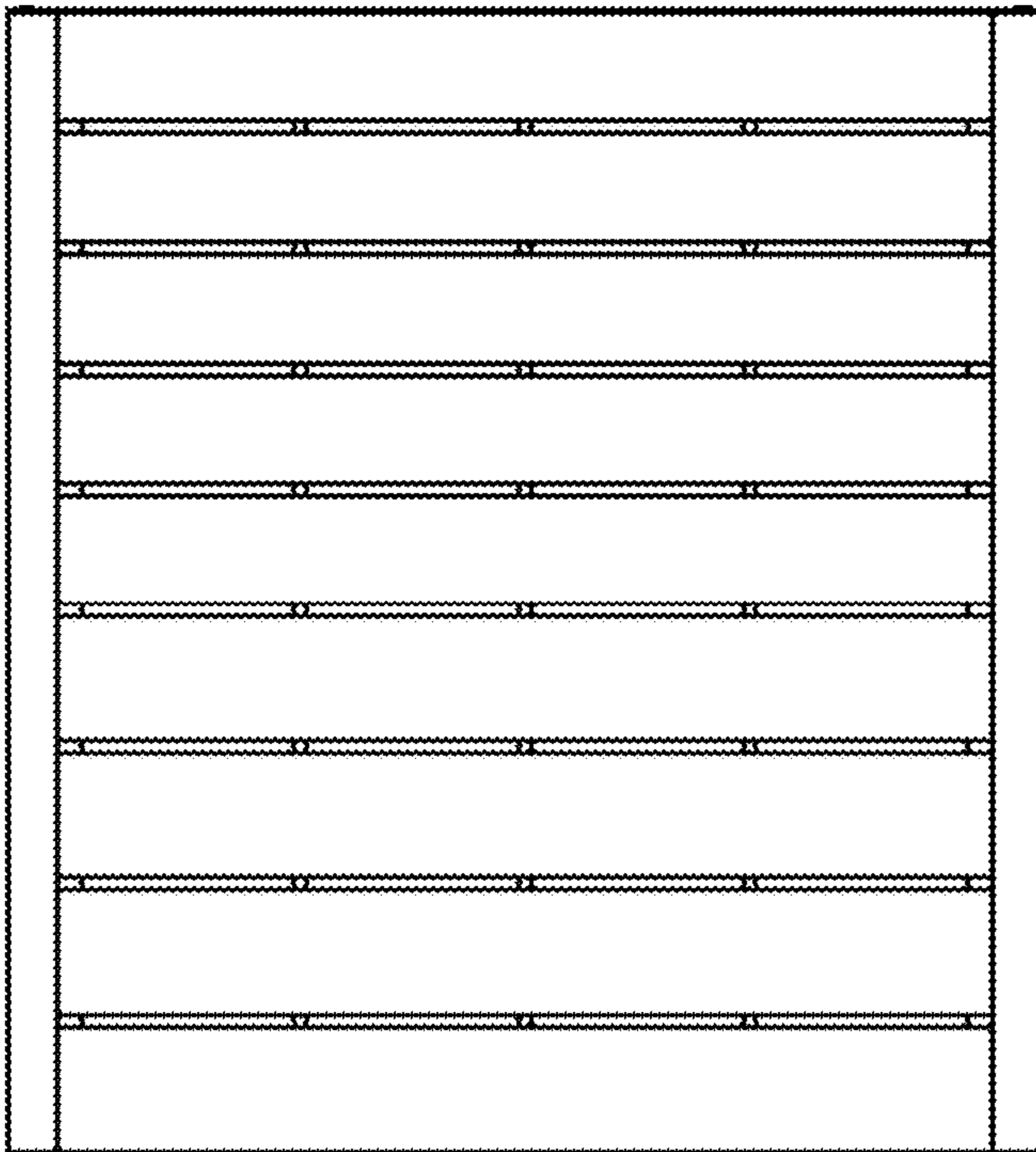


FIG. 14

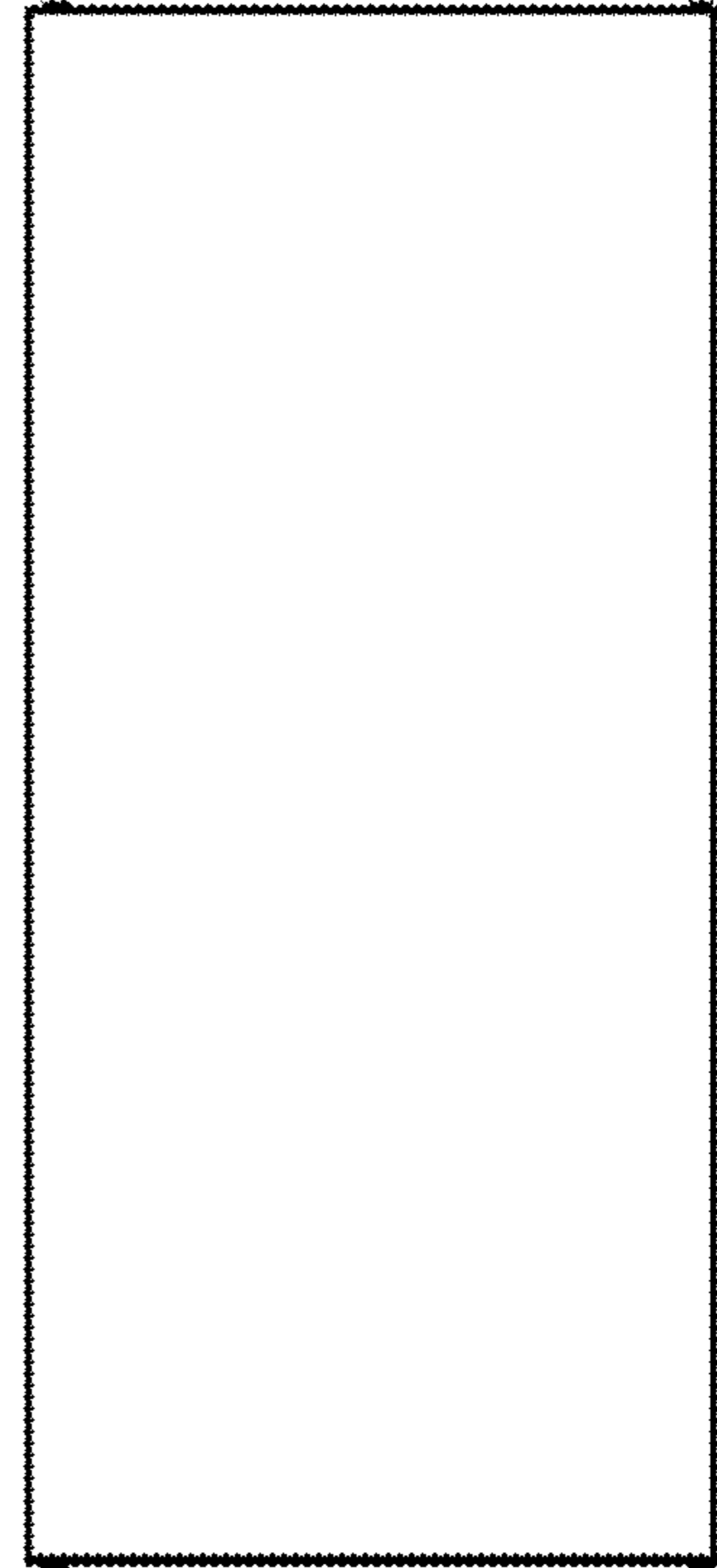


FIG. 16