



US00D931015S

(12) **United States Design Patent** (10) **Patent No.:** **US D931,015 S**  
**Lee** (45) **Date of Patent:** **\*\* Sep. 21, 2021**

(54) **BED FRAME**

(71) Applicant: **Jae Duk Lee**, Seoul (KR)

(72) Inventor: **Jae Duk Lee**, Seoul (KR)

(\*\*) Term: **15 Years**

(21) Appl. No.: **29/696,147**

(22) Filed: **Jun. 25, 2019**

(51) **LOC (13) Cl.** ..... **06-99**

(52) **U.S. Cl.**  
USPC ..... **D6/606**

(58) **Field of Classification Search**  
USPC ..... D6/382, 595, 596, 605, 606, 607;  
D34/38  
CPC ..... A47C 23/00; A47C 23/06; A47C 23/061;  
A47C 23/062; A47C 23/66; A47C  
23/067; A47C 23/068; A47C 19/02  
See application file for complete search history.

10,327,562 B2 \* 6/2019 Scarleski ..... A47C 21/06  
2004/0226089 A1 \* 11/2004 Miranda ..... A47C 23/00  
5/482  
2007/0022533 A1 \* 2/2007 Borino ..... A47G 9/0284  
5/493  
2013/0125305 A1 \* 5/2013 Fazio ..... A47C 19/021  
5/400  
2015/0313369 A1 \* 11/2015 Tarplee ..... A47C 21/006  
601/57  
2017/0196368 A1 \* 7/2017 Liu ..... A47C 27/16  
2017/0273471 A1 \* 9/2017 Chai ..... A47C 7/021  
2019/0059601 A1 \* 2/2019 Kramer ..... A47C 19/024  
2019/0365112 A1 \* 12/2019 Harrow ..... F16B 12/50  
2021/0085092 A1 \* 3/2021 Ohno ..... A47C 27/083

\* cited by examiner

*Primary Examiner* — Jennifer L Rempfer  
(74) *Attorney, Agent, or Firm* — John K. Park; Park Law Firm

(57) **CLAIM**

The ornamental design for a bed frame, as shown and described.

(56) **References Cited**

U.S. PATENT DOCUMENTS

4,106,139 A \* 8/1978 Southard ..... A47C 23/00  
5/186.1  
4,297,754 A \* 11/1981 Zuniga ..... A47C 21/026  
5/411  
4,724,557 A \* 2/1988 Yates ..... A47C 23/02  
5/248  
D517,844 S \* 3/2006 Gladney ..... D6/606  
D634,574 S \* 3/2011 Morrison ..... D6/605  
D792,723 S \* 7/2017 Wightman ..... D6/605  
9,756,951 B1 \* 9/2017 Stewart, Jr. .... A47C 19/12

**DESCRIPTION**

FIG. 1 is a perspective view of a bed frame showing my new design;  
FIG. 2 is a front plan view thereof;  
FIG. 3 is a rear plan view thereof;  
FIG. 4 is a left-side plan view thereof;  
FIG. 5 is a right-side plan view thereof;  
FIG. 6 is a top plan view thereof; and,  
FIG. 7 is a bottom plan view of the bed frame.

**1 Claim, 4 Drawing Sheets**

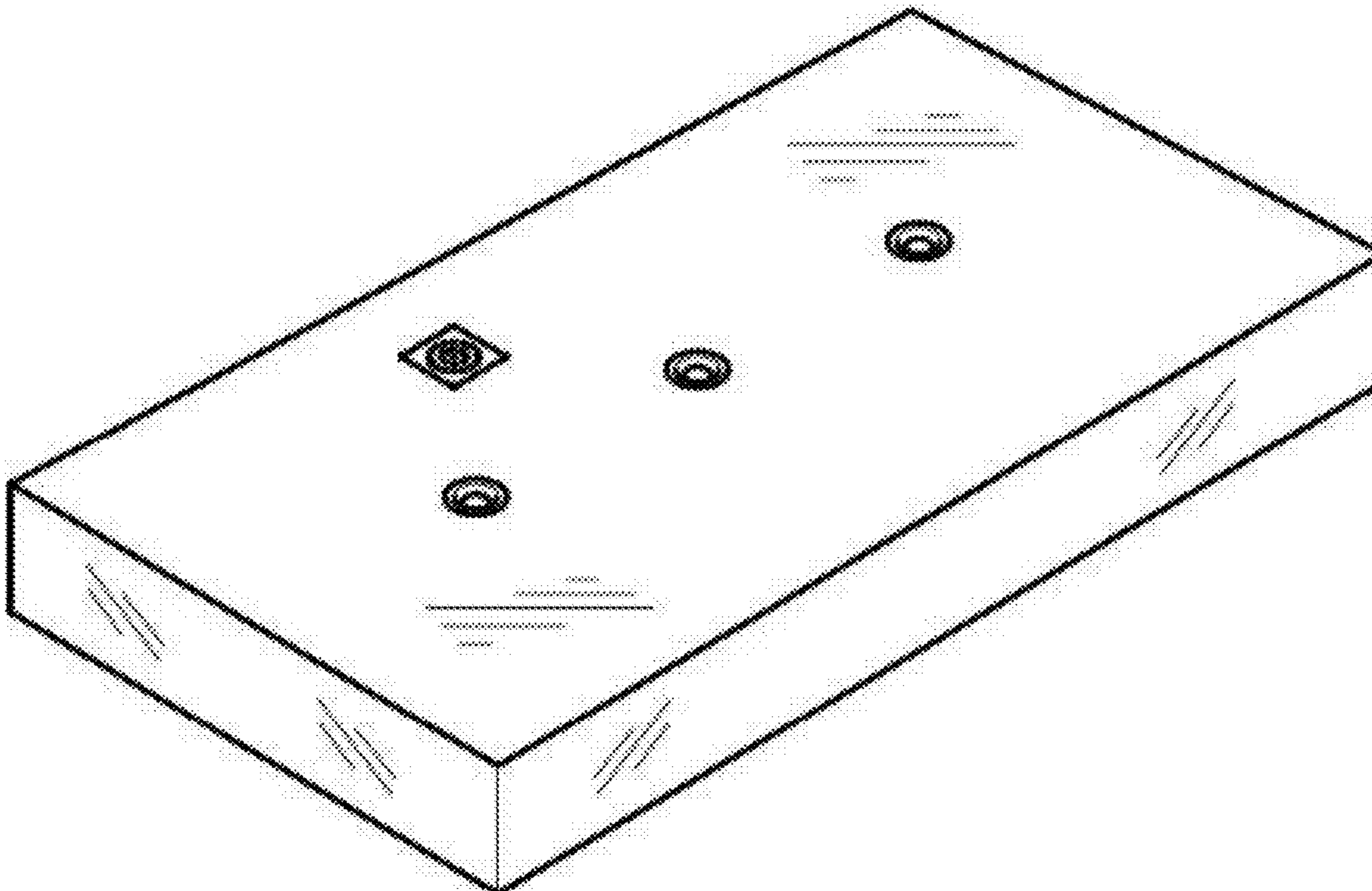


Fig. 1

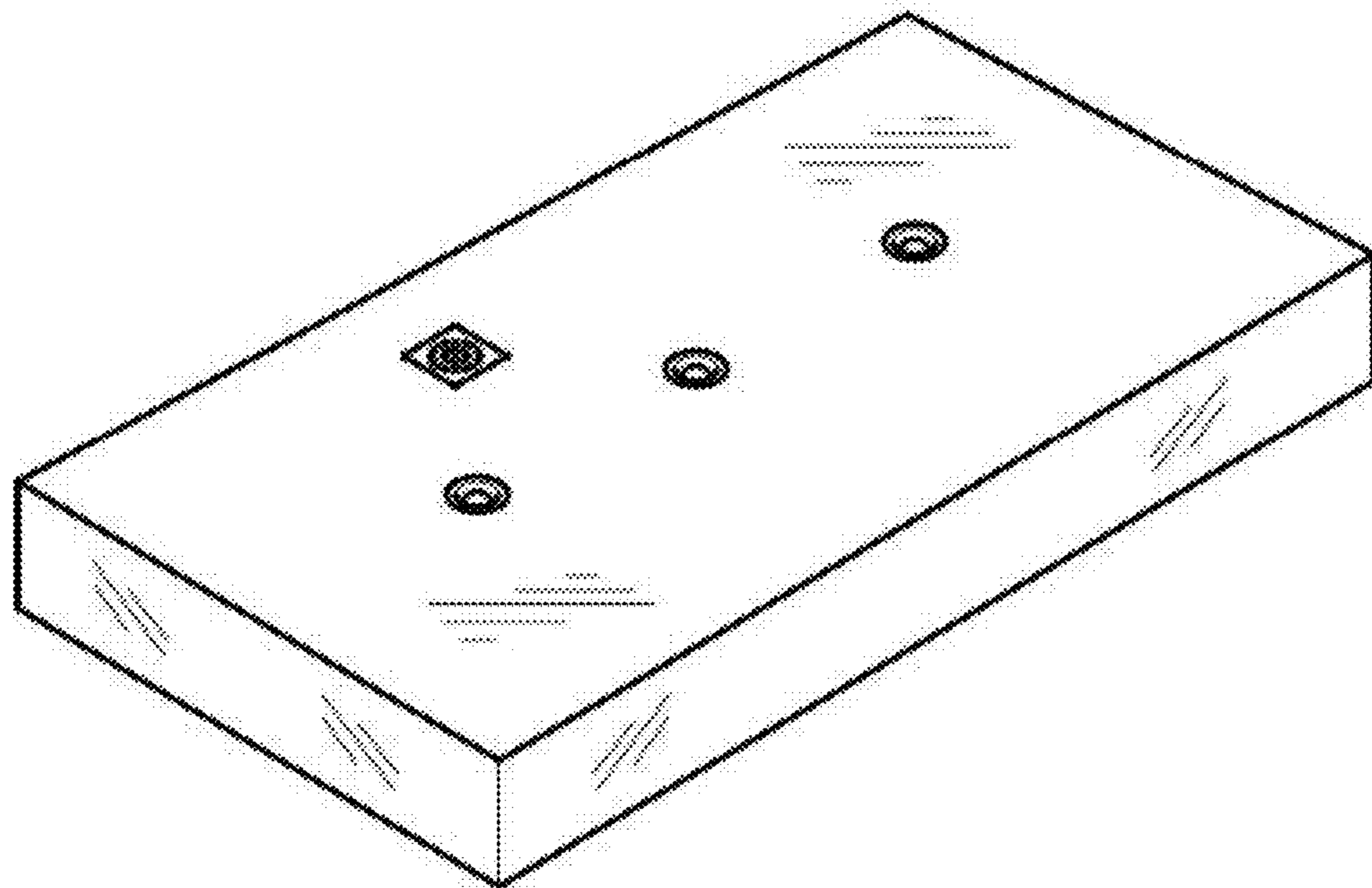


Fig. 2

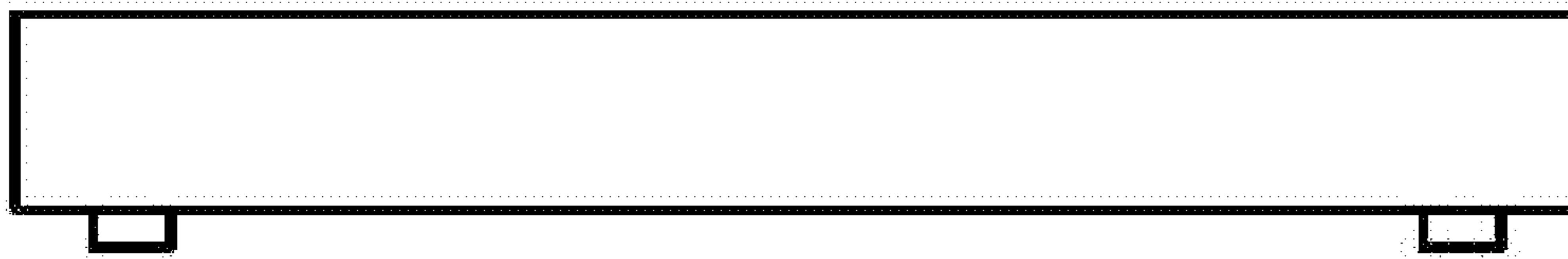


Fig. 3



Fig. 4



Fig. 5



Fig. 6

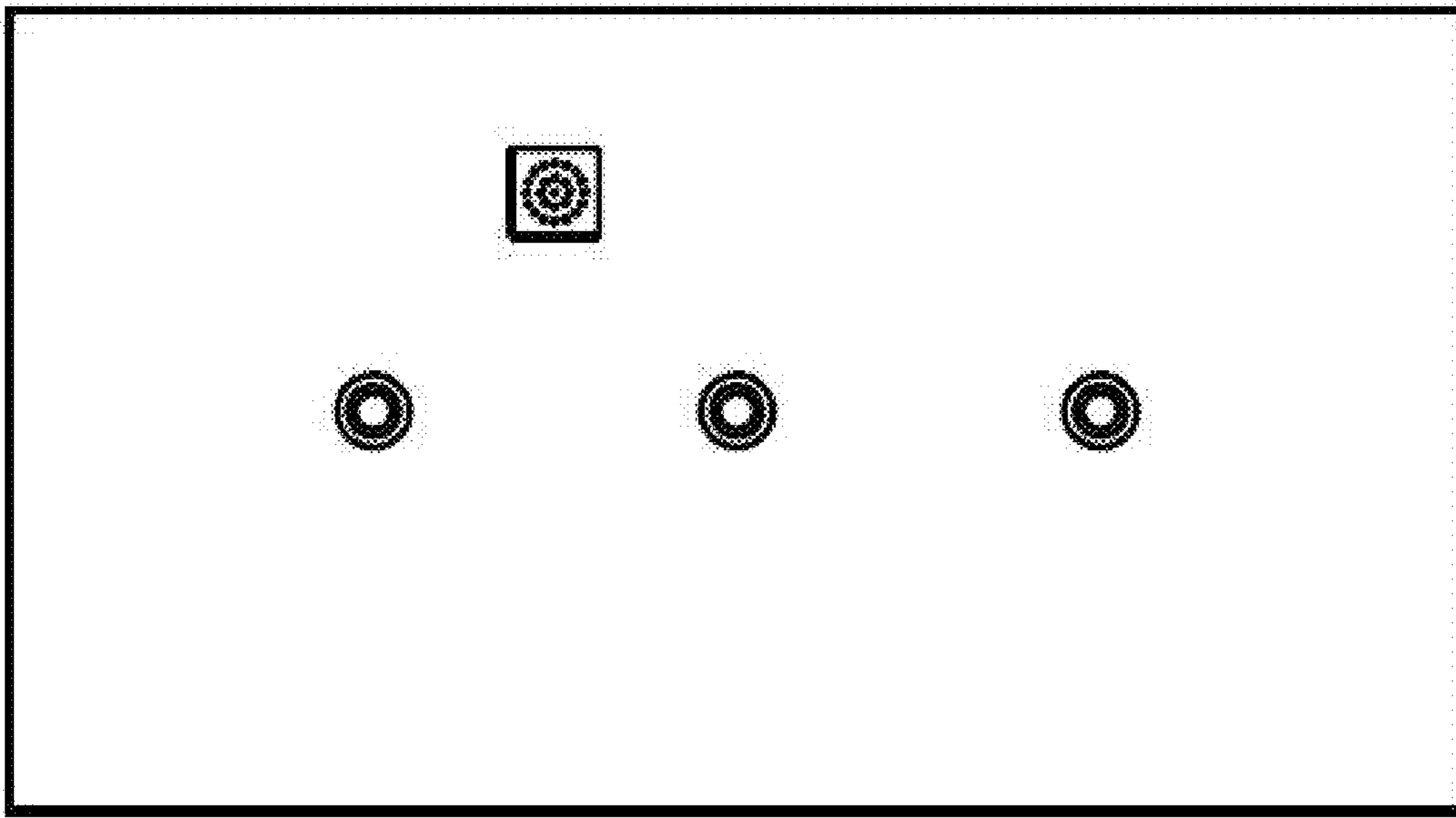


Fig. 7

