



US00D931012S

(12) **United States Design Patent**
Ouyang

(10) **Patent No.:** **US D931,012 S**
(45) **Date of Patent:** **** Sep. 21, 2021**

(54) **PILLOW**
(71) Applicant: **Shenzhen Damuzhi Health Information Consulting Co., Ltd.,**
Shenzhen (CN)
(72) Inventor: **Xiaoling Ouyang,** Jiangxi (CN)
(73) Assignee: **Shenzhen Damuzhi Health Information Consulting Co.,** Shenzhen (CN)

D402,150 S * 12/1998 Wurmbrand D6/601
D456,659 S * 5/2002 Landvik D6/601
6,513,179 B1 * 2/2003 Pan A47G 9/109
5/636
7,082,633 B1 * 8/2006 Maarbjerger A47G 9/10
5/636
D529,325 S * 10/2006 Maarbjerger D6/601
D645,693 S * 9/2011 Rothbard D6/601
D688,897 S * 9/2013 Yang D6/601
D688,898 S * 9/2013 Yang D6/601

(Continued)

FOREIGN PATENT DOCUMENTS

(**) Term: **15 Years**
(21) Appl. No.: **29/753,787**

CN 302713654 * 1/2014
CN 304325527 * 10/2017

(22) Filed: **Oct. 1, 2020**
(51) **LOC (13) Cl.** **06-09**
(52) **U.S. Cl.**
USPC **D6/601**
(58) **Field of Classification Search**
USPC D6/595, 596, 597, 600, 601, 603, 604,
D6/605, 606, 608; D24/183, 185, 234;
D21/803, 804, 805, 809
CPC A47G 2009/1018; A47G 2009/003; A47G
9/0253; A47G 9/10; A47G 9/1027; A47G
9/1036; A47G 9/1054; A47G 9/1063;
A47G 9/1072; A47G 9/1081; A47G
9/109; A45F 4/06; A47C 21/06; A47C
7/18; A47C 20/00; A47C 17/80; A47C
17/82; A47C 17/64; A47C 27/00; A47C
27/14; A47C 23/00

OTHER PUBLICATIONS

EPABO Countour Memory Foam Pillow, [online],[site visited Mar. 27, 2021]. Available from Internet, <URL: https://www.amazon.com/EPABO-Orthopedic-Sleeping-Ergonomic-Cervical/dp/B07BKVG42X/ref=cm_cr_arp_d_product_top?ie=UTF8> (Year: 2018).*

(Continued)

Primary Examiner — Sanjeev Paul

(57) **CLAIM**

The ornamental design for a pillow, as shown and described.

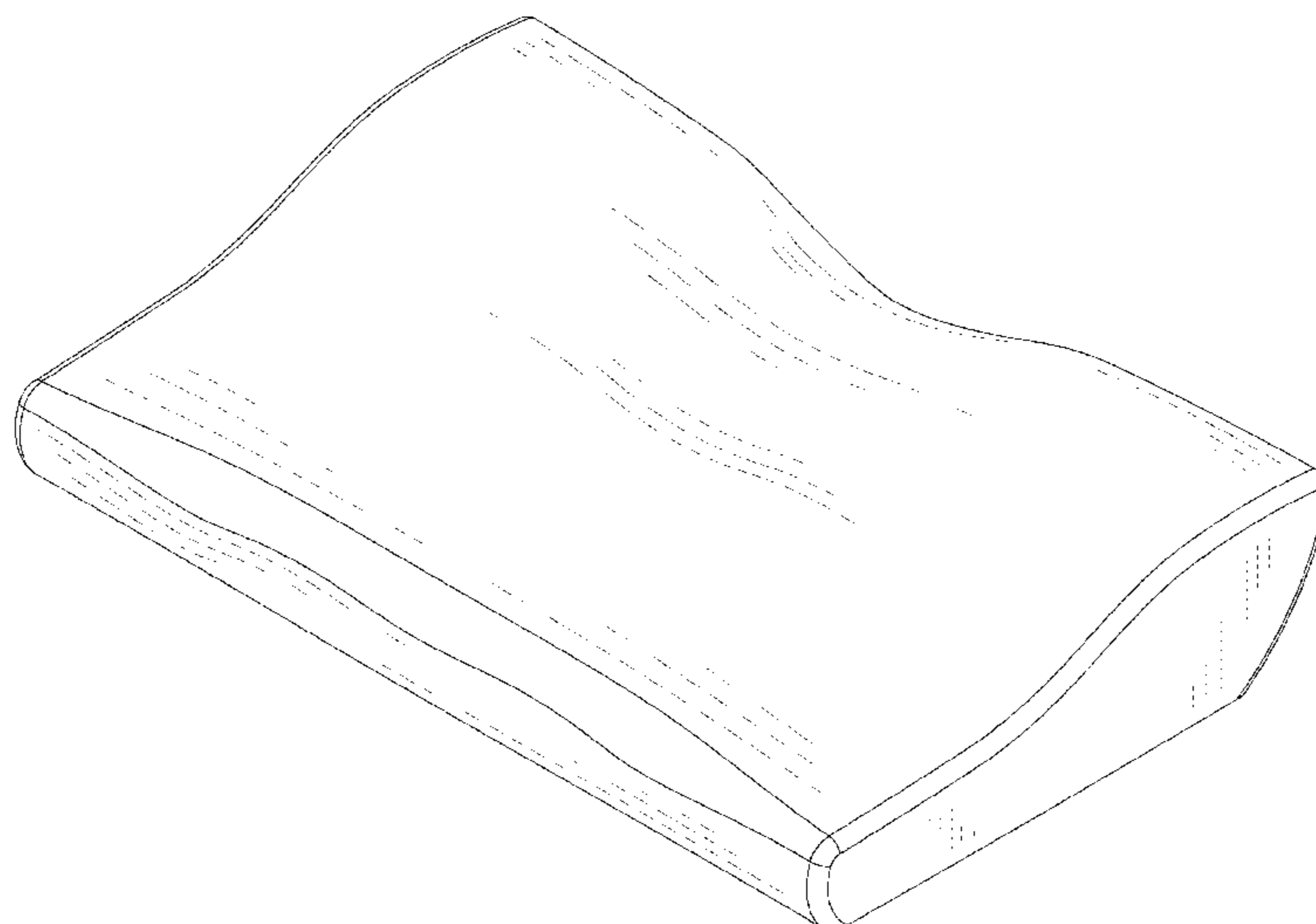
DESCRIPTION

FIG. 1 is a perspective view of a pillow showing my new design.
FIG. 2 is a top view thereof;
FIG. 3 is a bottom view thereof;
FIG. 4 is a left side view thereof;
FIG. 5 is a right side view thereof;
FIG. 6 is a front view thereof; and,
FIG. 7 is a back view thereof.

1 Claim, 7 Drawing Sheets

(56) **References Cited**
U.S. PATENT DOCUMENTS

D248,141 S * 6/1978 Forsland D6/601
D284,248 S * 6/1986 Challen D6/596
D285,512 S * 9/1986 Bool D6/596
D306,112 S * 2/1990 Forsland 297/452.22
5,457,832 A * 10/1995 Tatum A61F 5/01
5/636
D376,288 S * 12/1996 Antonian D6/596



(56)

References Cited

U.S. PATENT DOCUMENTS

D707,358 S * 6/2014 Mantilla D24/184
 D731,813 S * 6/2015 Durkin D6/601
 D732,313 S * 6/2015 Fux
 9,113,732 B2 * 8/2015 Loth A47G 9/1081
 D751,322 S * 3/2016 Reynolds
 D756,687 S * 5/2016 Durkin D6/601
 D759,406 S * 6/2016 Peterson D6/601
 D759,991 S * 6/2016 Jing D6/601
 D771,414 S * 11/2016 Krishtul D6/601
 D808,194 S * 1/2018 Wyborn D6/601
 D856,028 S * 8/2019 Zou D6/601
 D869,196 S * 12/2019 Shin D6/601
 D875,434 S * 2/2020 Yang D6/601
 D876,127 S * 2/2020 Park D6/601
 D878,105 S * 3/2020 Marinkovic D6/601
 D878,106 S * 3/2020 Marinkovic D6/601
 D878,807 S * 3/2020 Marinkovic D6/601
 D889,884 S * 7/2020 Ouyang D6/601
 D905,471 S * 12/2020 Ou D6/601
 10,881,226 B1 * 1/2021 Ou A47G 9/10
 2005/0050636 A1 * 3/2005 Setokawa A61F 7/10
 5/636
 2005/0223493 A1 * 10/2005 Setokawa A61F 7/10
 5/636

2008/0163428 A1 * 7/2008 Groteke A61F 5/56
 5/638
 2014/0026323 A1 * 1/2014 Bowers A47G 9/10
 5/636
 2020/0214481 A1 * 7/2020 Sexton A61H 23/00

OTHER PUBLICATIONS

Google search: "foam pillow" [site visited Mar. 26, 2021]: https://www.google.com/search?q=foam+pillow&gs_lcp=CgNpbWcQAzlECAAQzICCAyAggAMgIIADICCAyAggAMgIIADICCAyAggAMgIIADoGCAAQBxAeULEUWJ0jYPQmaAJwAHgAgAFOiAHtA5IBATeYAQCgAQGqAQtd3Mtd216LWItZ8ABAQ&sclient=img&ei=OVIIdYKLMjYjO_Qaag5XACA&bih=1777&biw=1200 (Year: 2021).*

Google search: "pillow with indent for head" [site visited Mar. 27, 2021]: https://www.google.com/search?q=pillow+with+indent+for+head&sxsr=ALeKk02sw4yPRd5CcQ6G5xJOO_BZInBYug:1616861909471&source=lnms&tbm=isch&sa=X&ved=2ahUKEwiH3Y7-79DvAhUhmVkfHbSNce0Q_AUoAnoECAEQBA&biw=1200&bih=1777 (Year: 2021).*

Google search: "pillow with insert" [site visited Mar. 27, 2021]: https://www.google.com/search?q=pillow+with+insert&sxsr=ALeKk00eFZXab_1GpA3cgiahm1qSerx5rQ:1616862642354&source=lnms&tbm=isch&sa=X&ved=2ahUKEwiumsrb8tDvAhWzMVkFHXS1CcoQ_AUoAnoECAEQBA&biw=1200&bih=1777 (Year: 2021).*

* cited by examiner

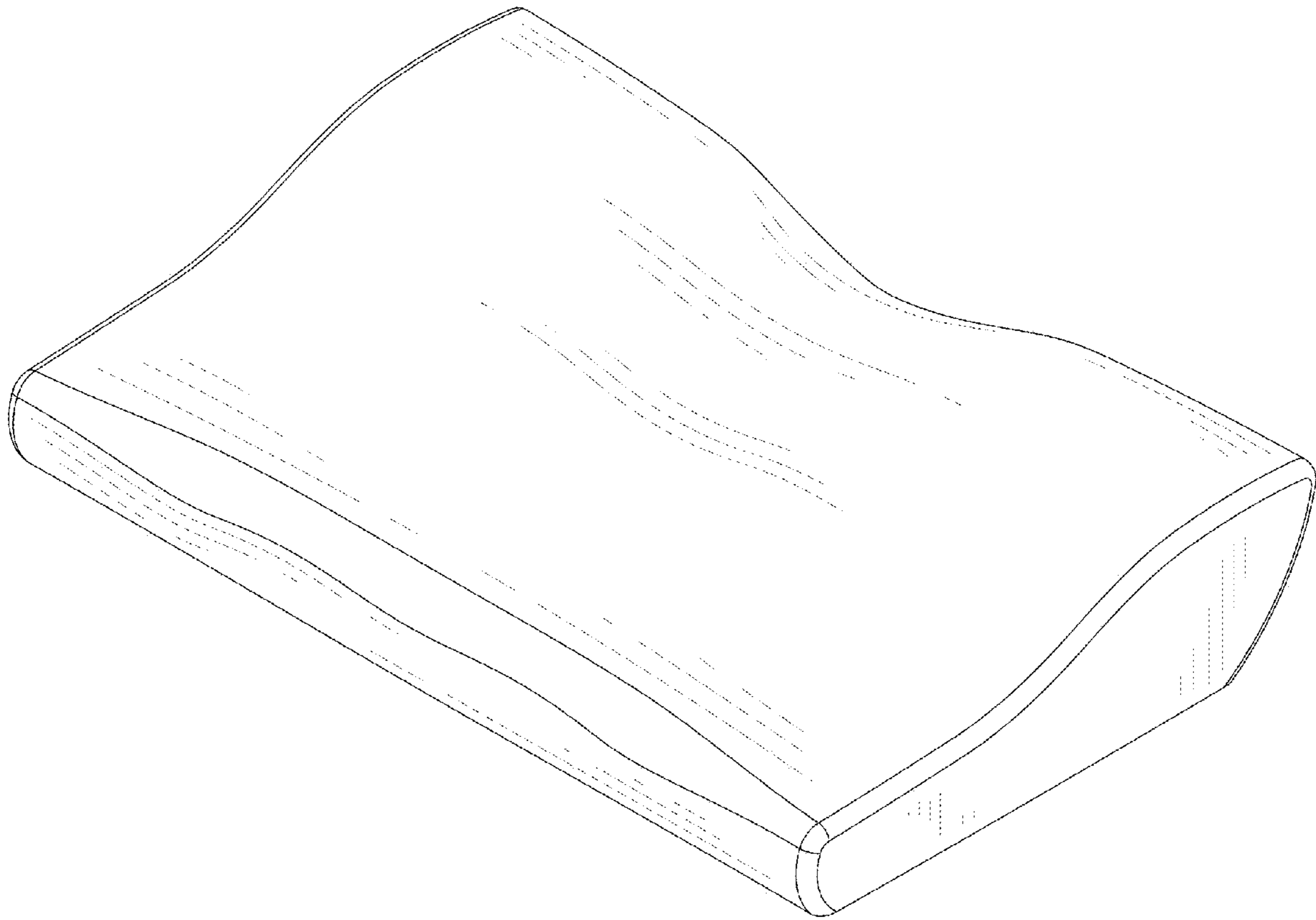


FIG.1

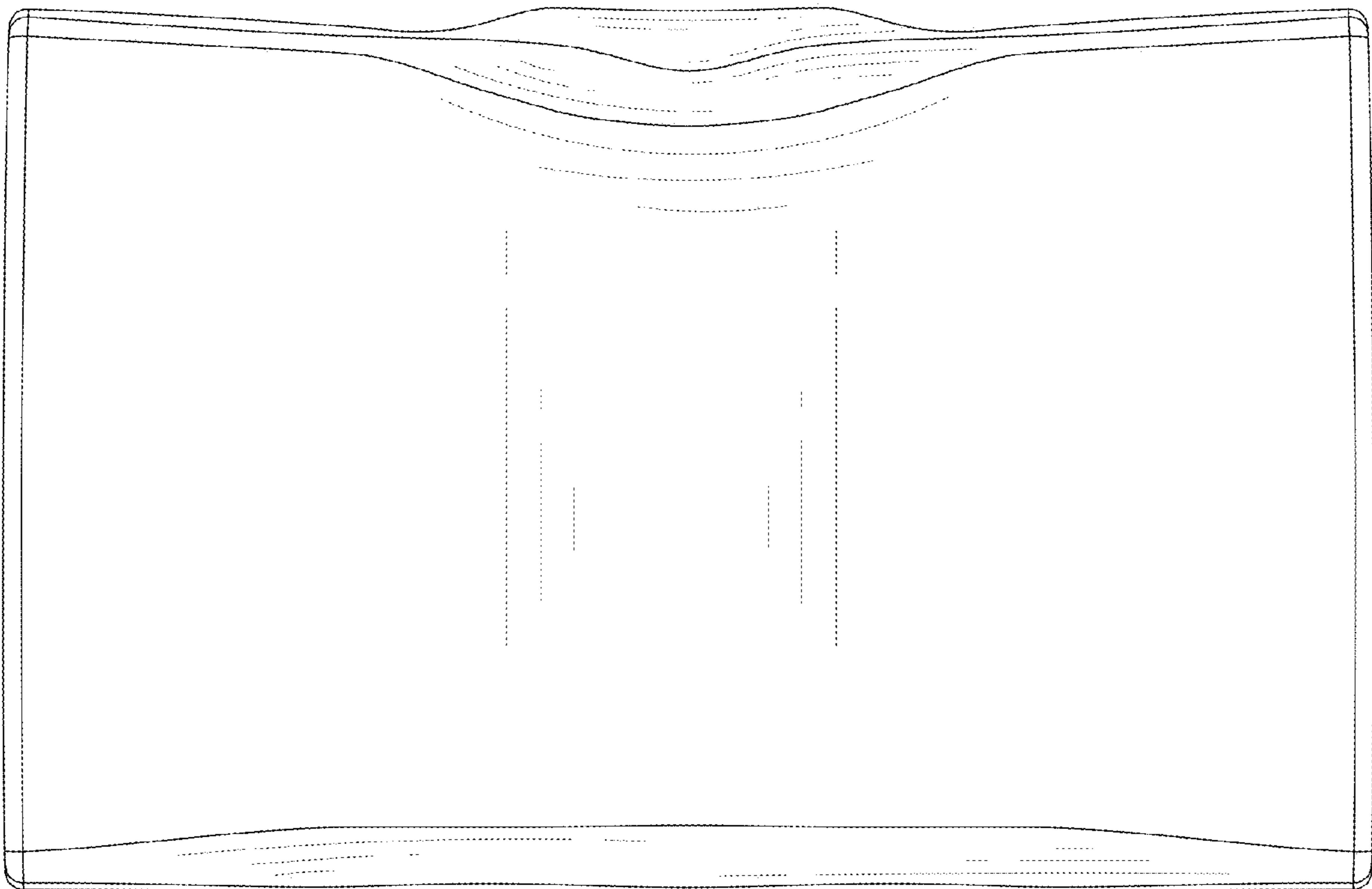


FIG.2

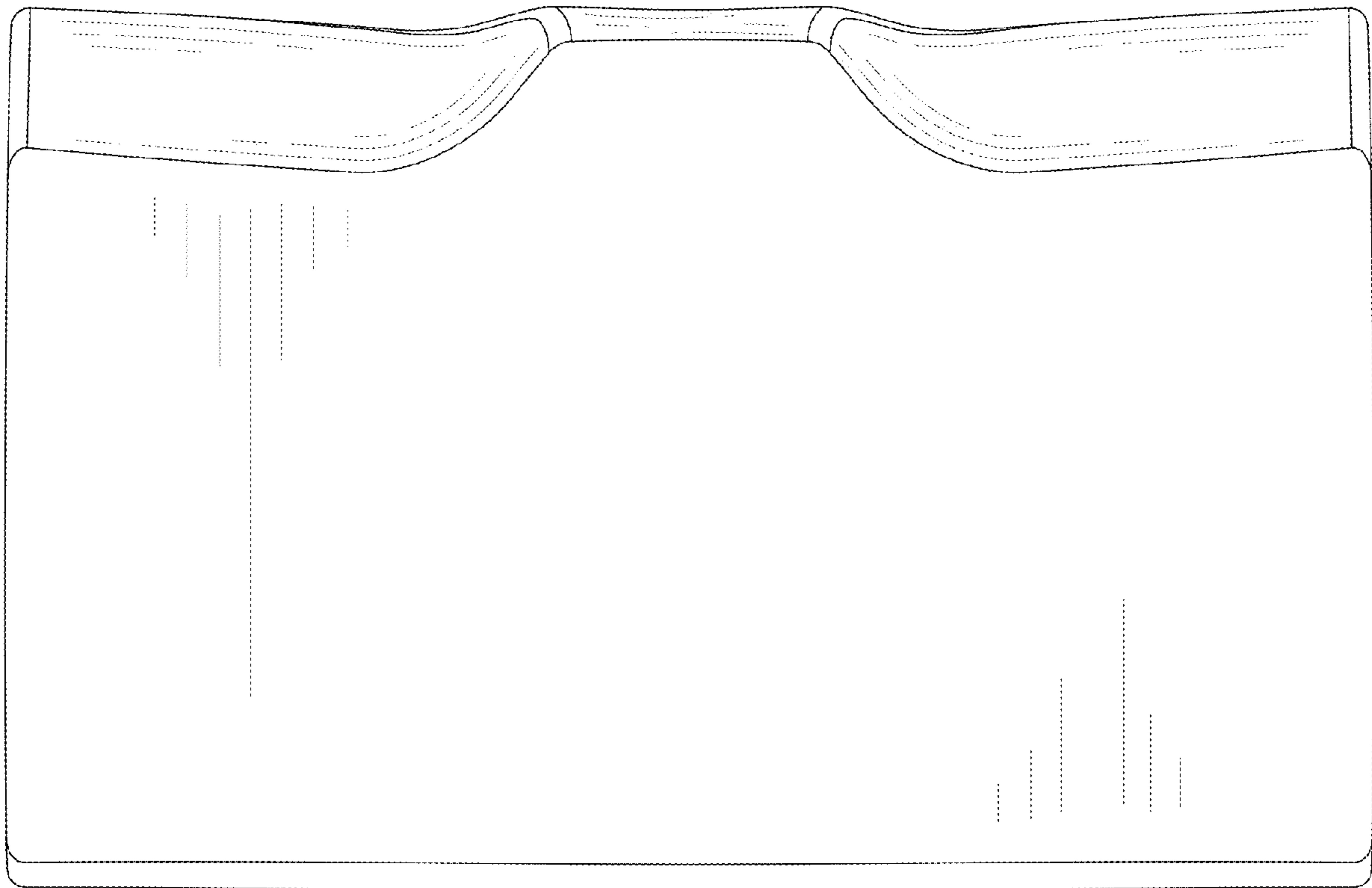


FIG. 3

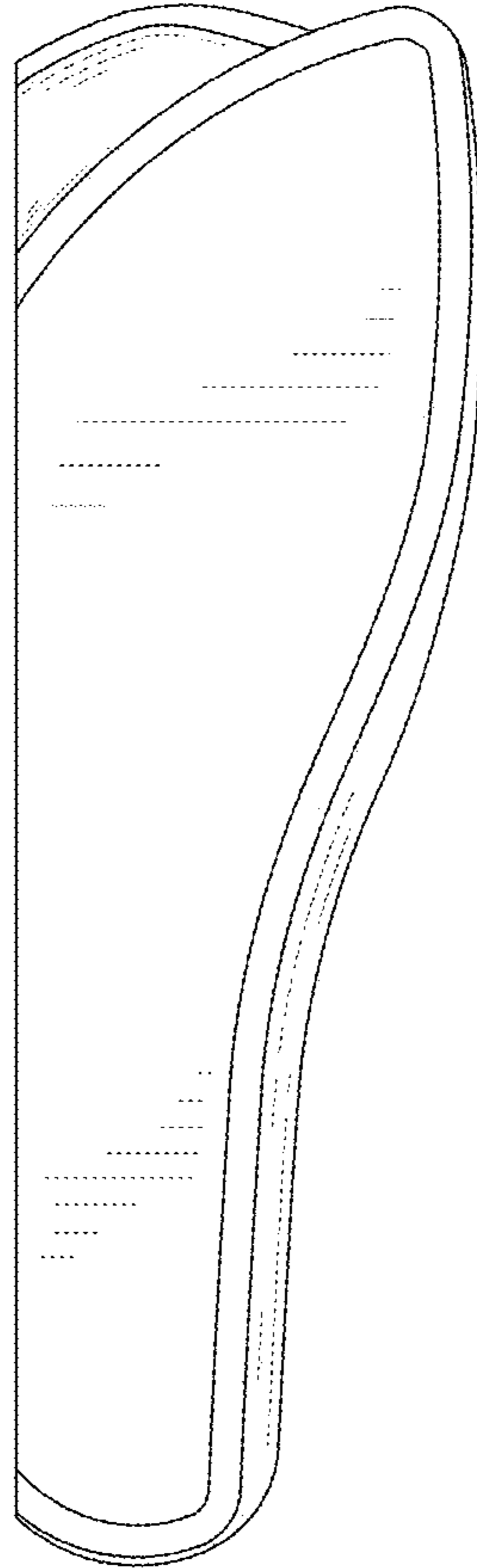


FIG. 4

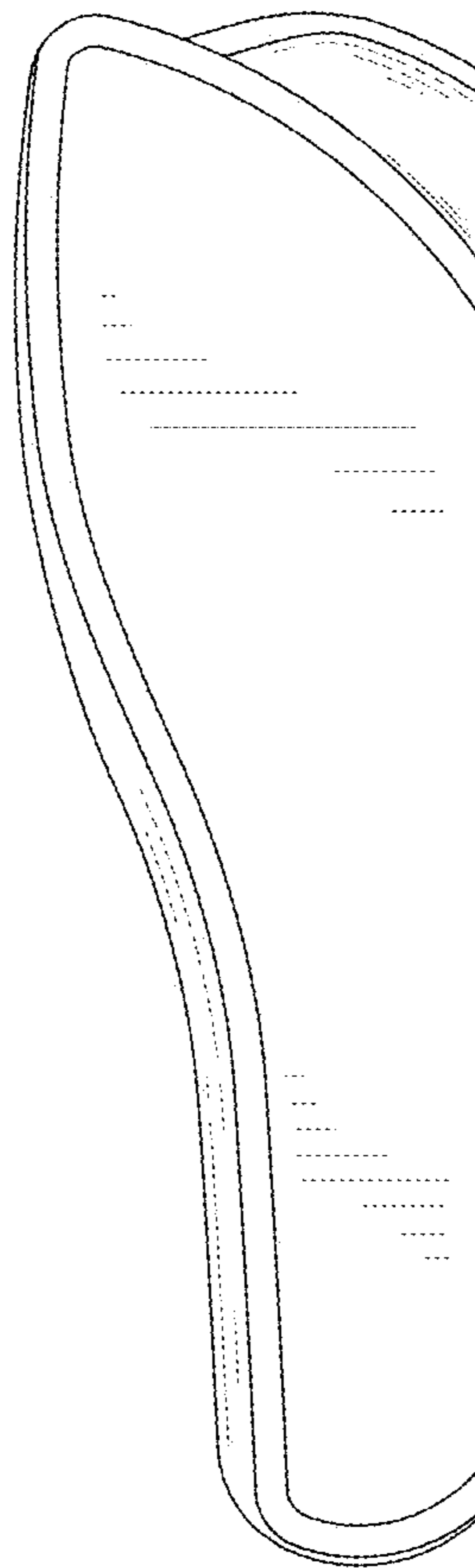


FIG.5

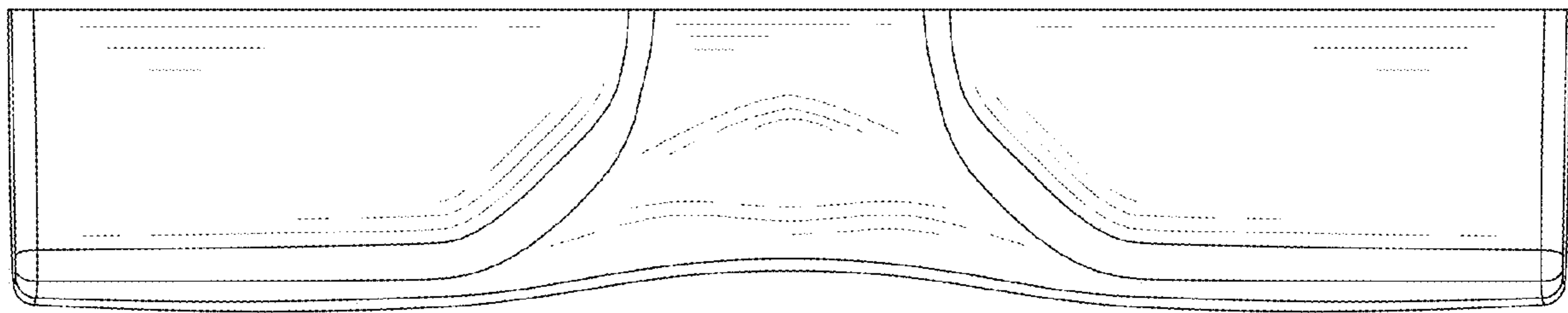


FIG.6

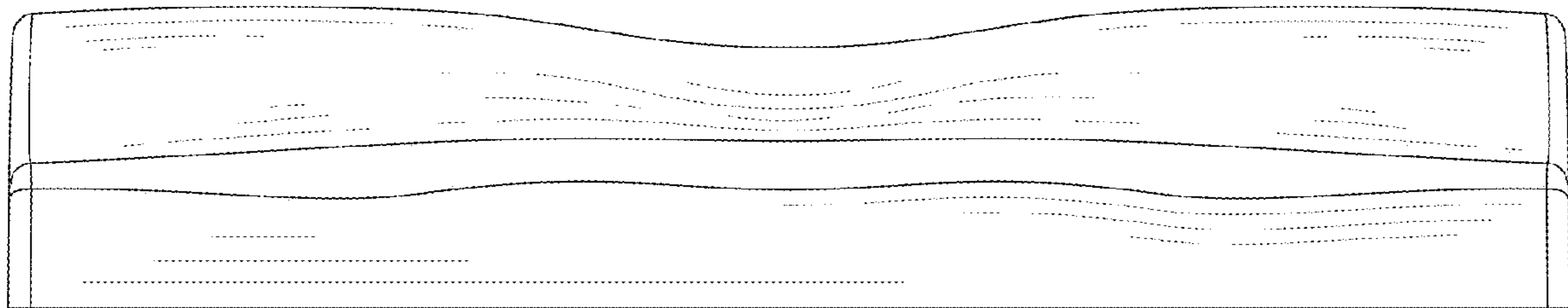


FIG. 7