



US00D931011S

(12) **United States Design Patent** (10) **Patent No.:** **US D931,011 S**
Recchia et al. (45) **Date of Patent:** **** Sep. 21, 2021**

(54) **NECK PILLOW WITH STRAP**
(71) Applicant: **TRAVEL BLUE LIMITED**, Middlesex (GB)
(72) Inventors: **Diego Recchia**, Milan (IT); **Maurizio Comes**, Milan (IT)
(73) Assignee: **TRAVEL BLUE LIMITED**, Edgware (GB)
(**) Term: **15 Years**
(21) Appl. No.: **29/708,405**

(22) Filed: **Oct. 5, 2019**
(51) **LOC (13) Cl.** **06-09**
(52) **U.S. Cl.**
USPC **D6/601**
(58) **Field of Classification Search**
USPC D6/582-583, 587-592, 595-609, D6/617-622; D21/803-809; D24/183
CPC A47G 9/00; A47G 2009/001; A47G 2009/002; A47G 2009/003; A47G 9/10; A47G 9/1009; A47G 2009/1018; A47G 9/1045; A47G 9/1081; A47G 9/109
See application file for complete search history.

(56) **References Cited**
U.S. PATENT DOCUMENTS
D746,080 S * 12/2015 Mittelstadt D6/601
D838,123 S * 1/2019 Ye D6/601

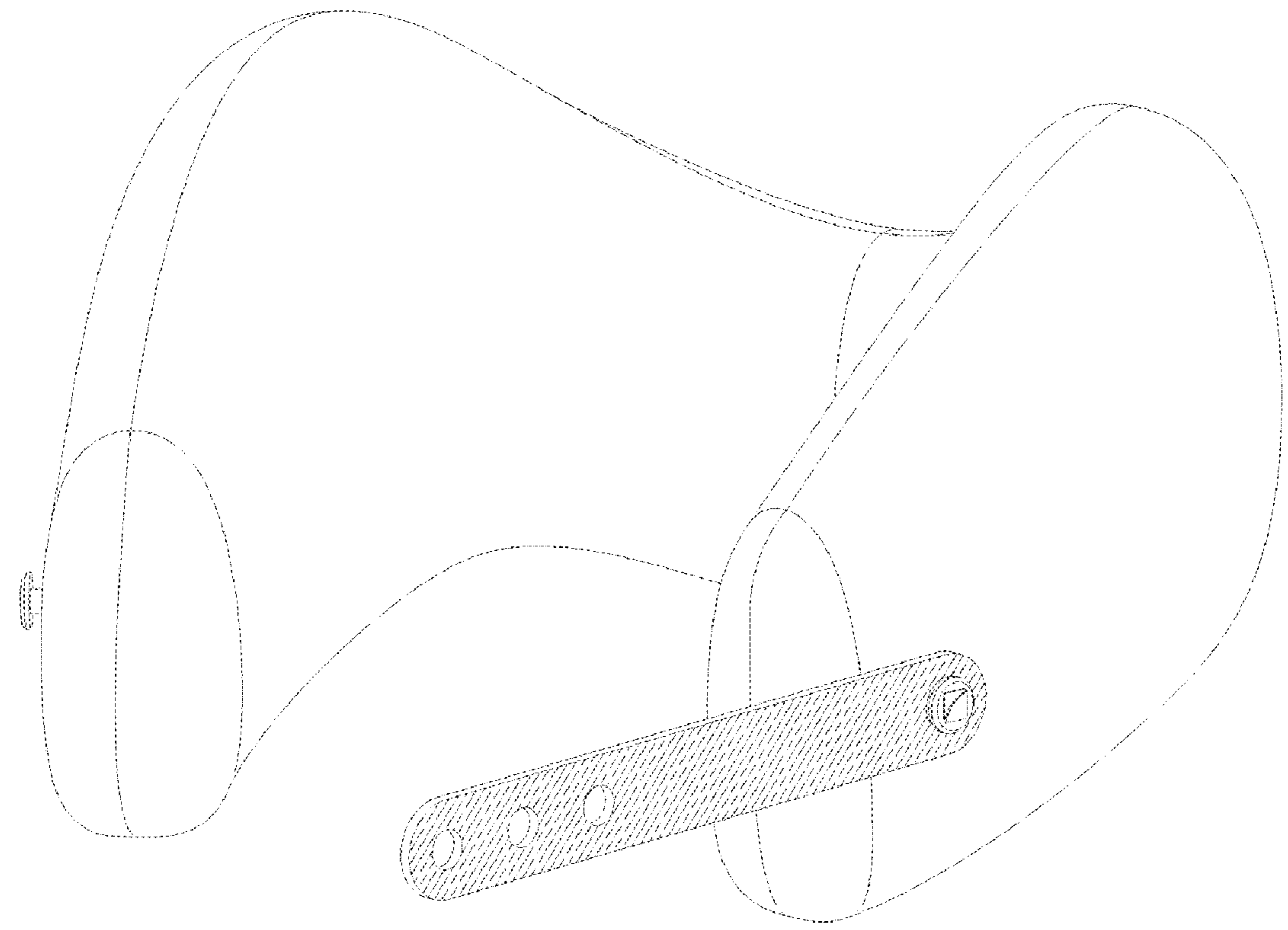
D872,503 S * 1/2020 Little D6/601
D878,808 S * 3/2020 Denat D6/601
D899,818 S * 10/2020 Qu D6/601
2017/0042352 A1 * 2/2017 Atkinson A47G 9/1081
2018/0132621 A1 * 5/2018 Scrimshaw A47G 9/1081
2018/0242755 A1 * 8/2018 Redford A47D 13/083
2020/0113339 A1 * 4/2020 Dassi A42B 1/006
2020/0128981 A1 * 4/2020 Yu A47C 7/46
2020/0237123 A1 * 7/2020 Yu A47C 7/425

* cited by examiner
Primary Examiner — Jennifer L Rempfer
(74) *Attorney, Agent, or Firm* — Irving M Weiner; Pamela S Burt; Weiner & Burt, P.C.

(57) **CLAIM**
The ornamental design for a neck pillow with strap, as shown and described.

DESCRIPTION
FIG. 1 is a perspective view of the neck pillow with strap; FIG. 2 is a front elevational view thereof; FIG. 3 is a rear elevational view thereof; FIG. 4 is a left side elevational view of FIG. 1; FIG. 5 is a right side elevational view of FIG. 1; FIG. 6 is a top plan view of FIG. 1; and, FIG. 7 is a bottom view thereof.

1 Claim, 7 Drawing Sheets



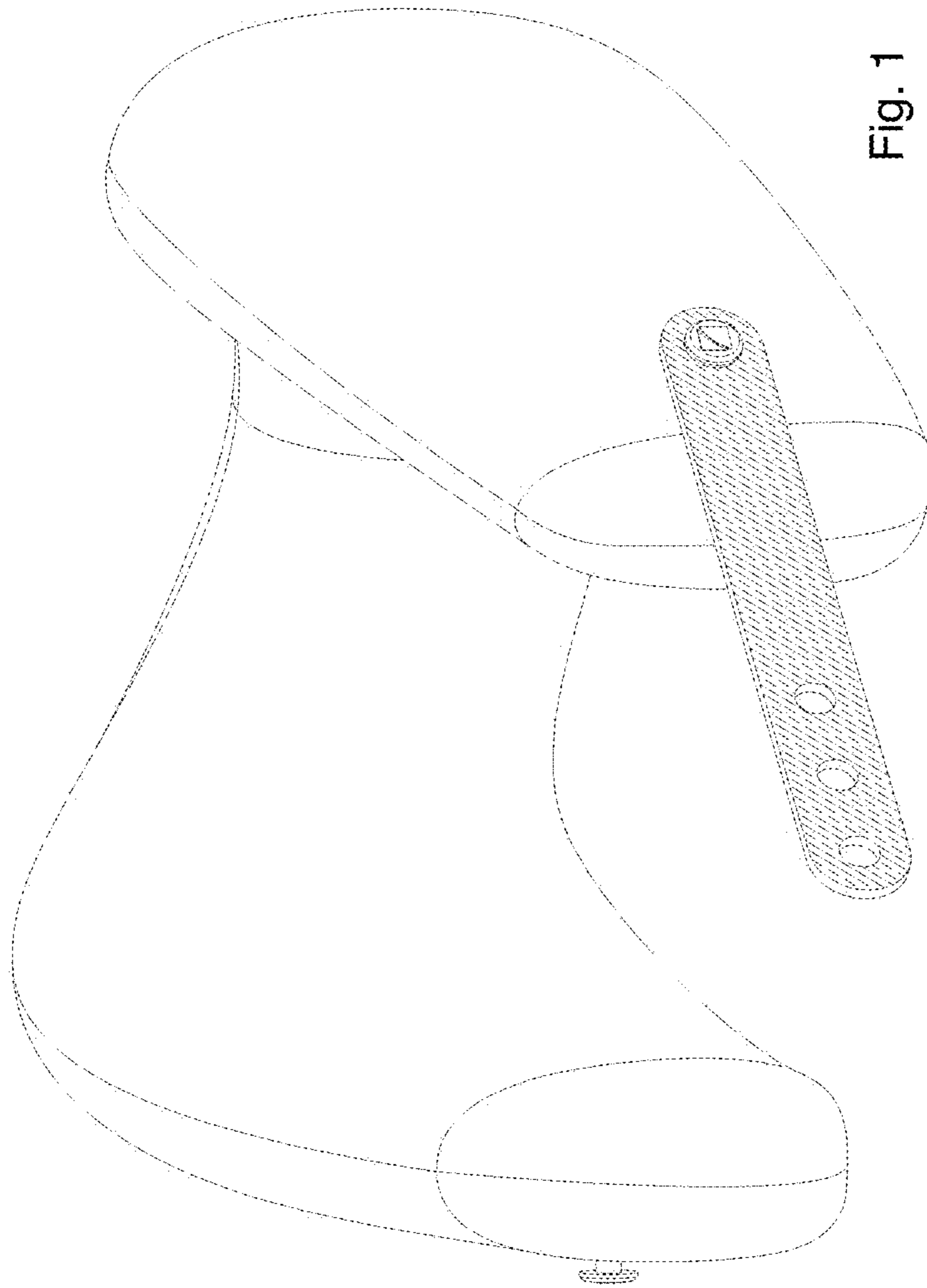
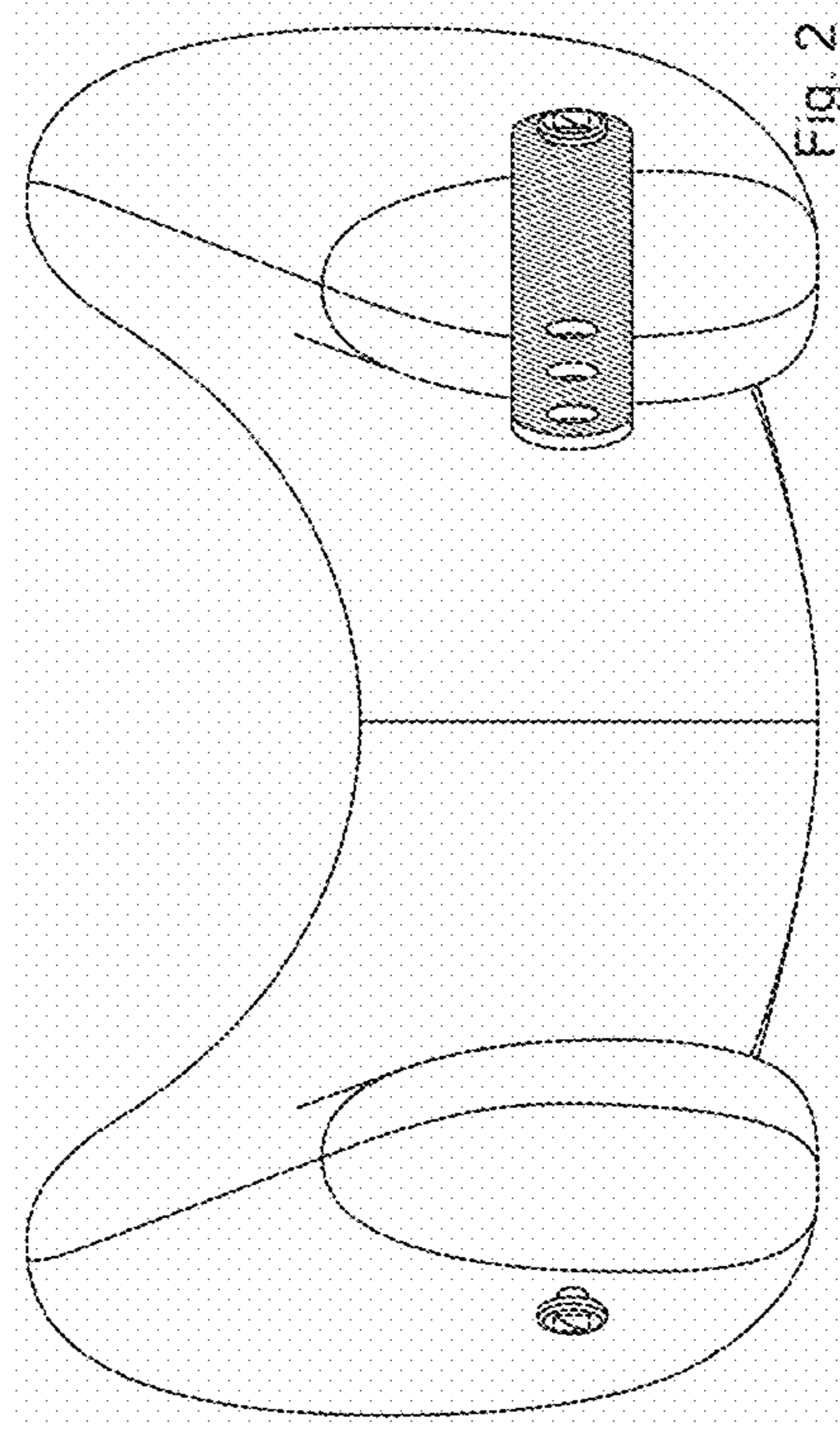
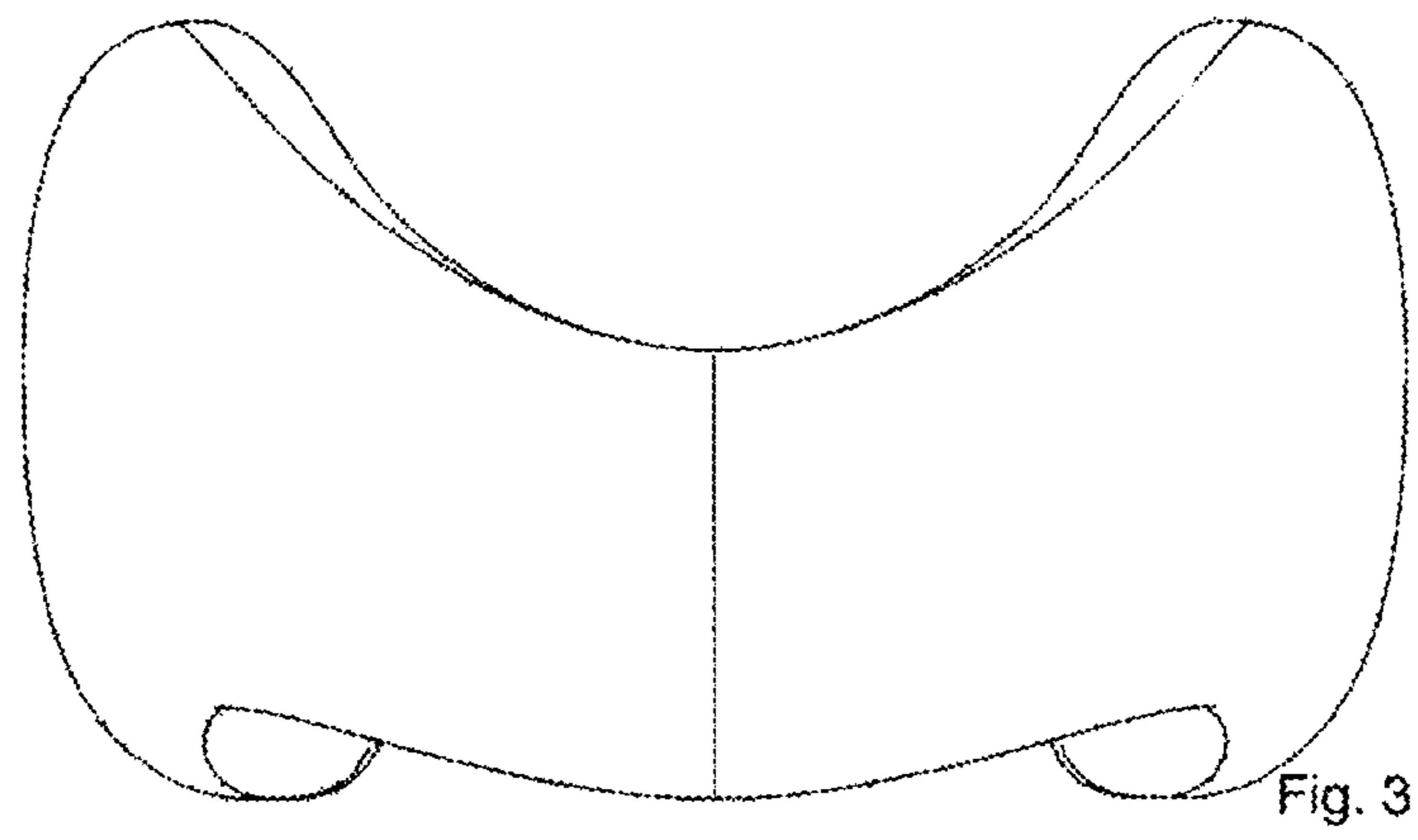


Fig. 1





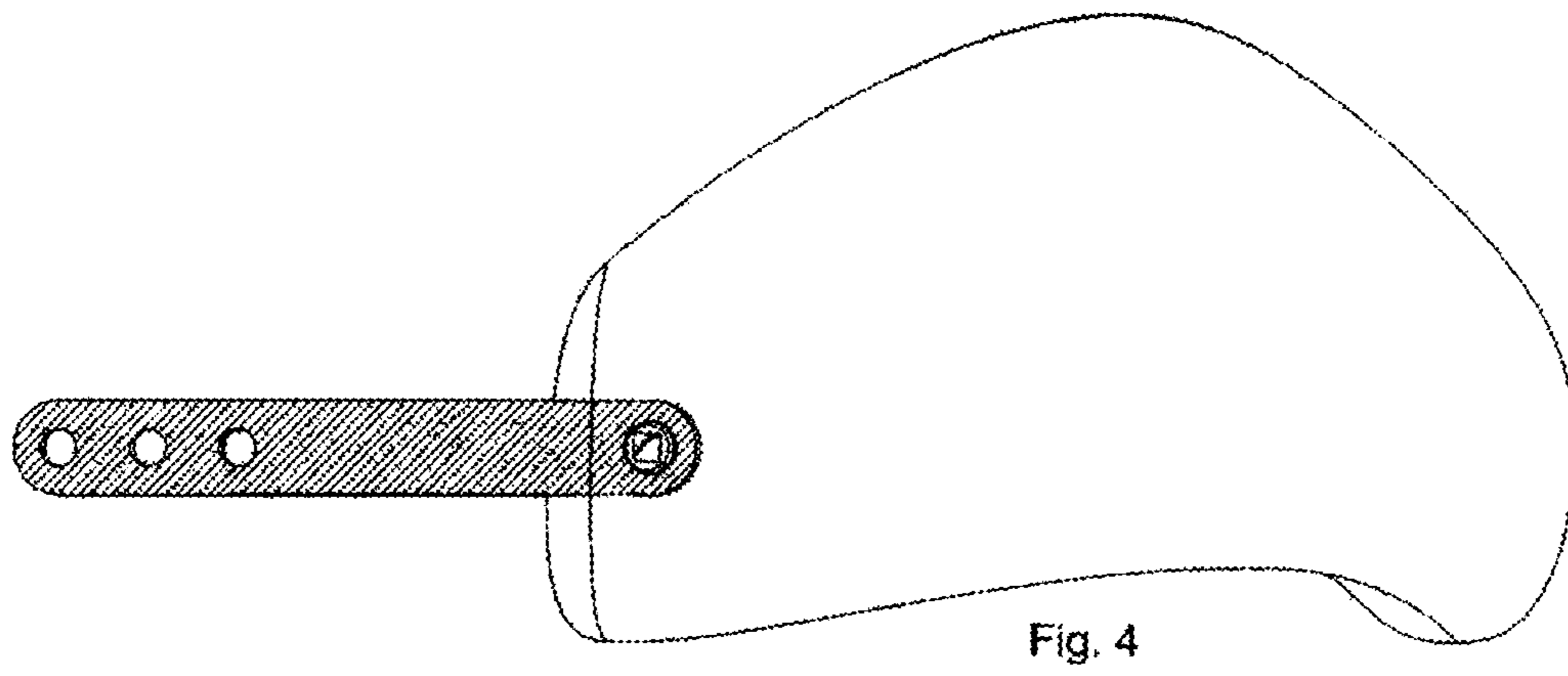


Fig. 4

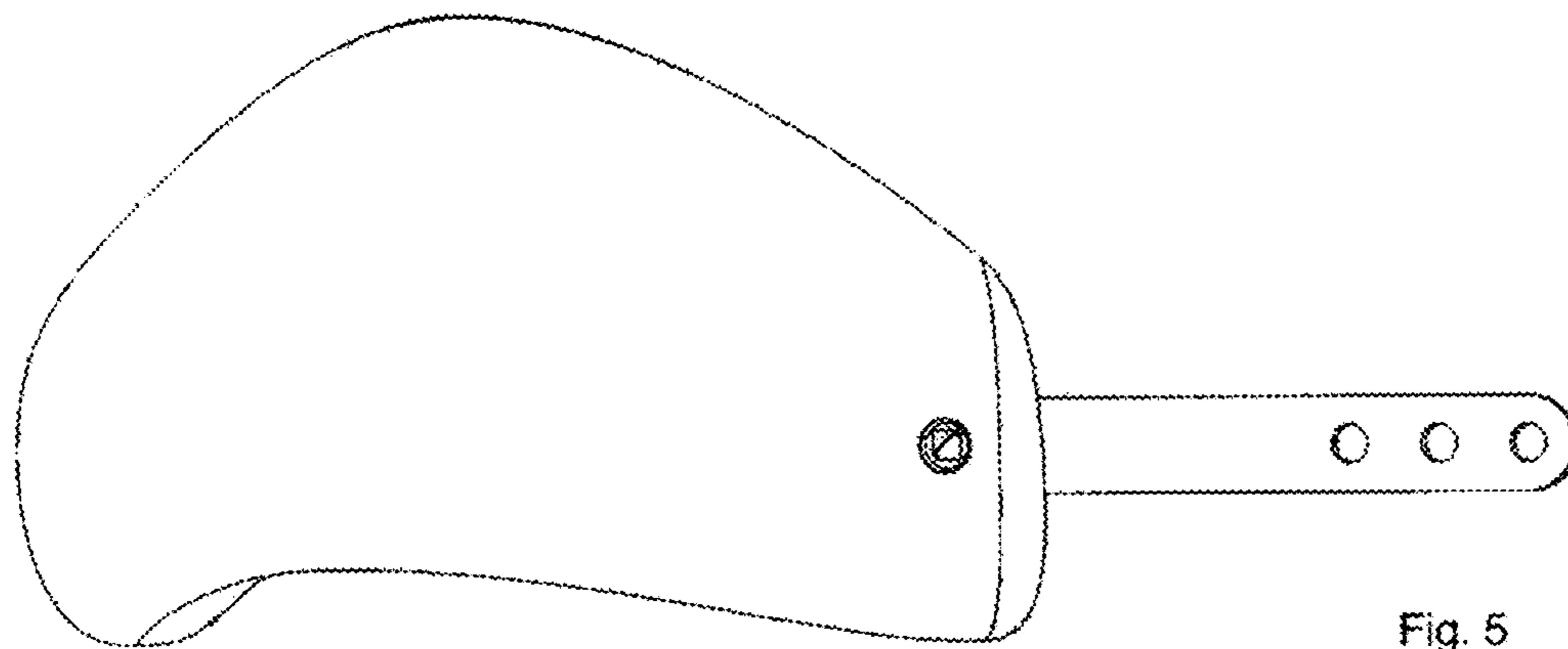


Fig. 5

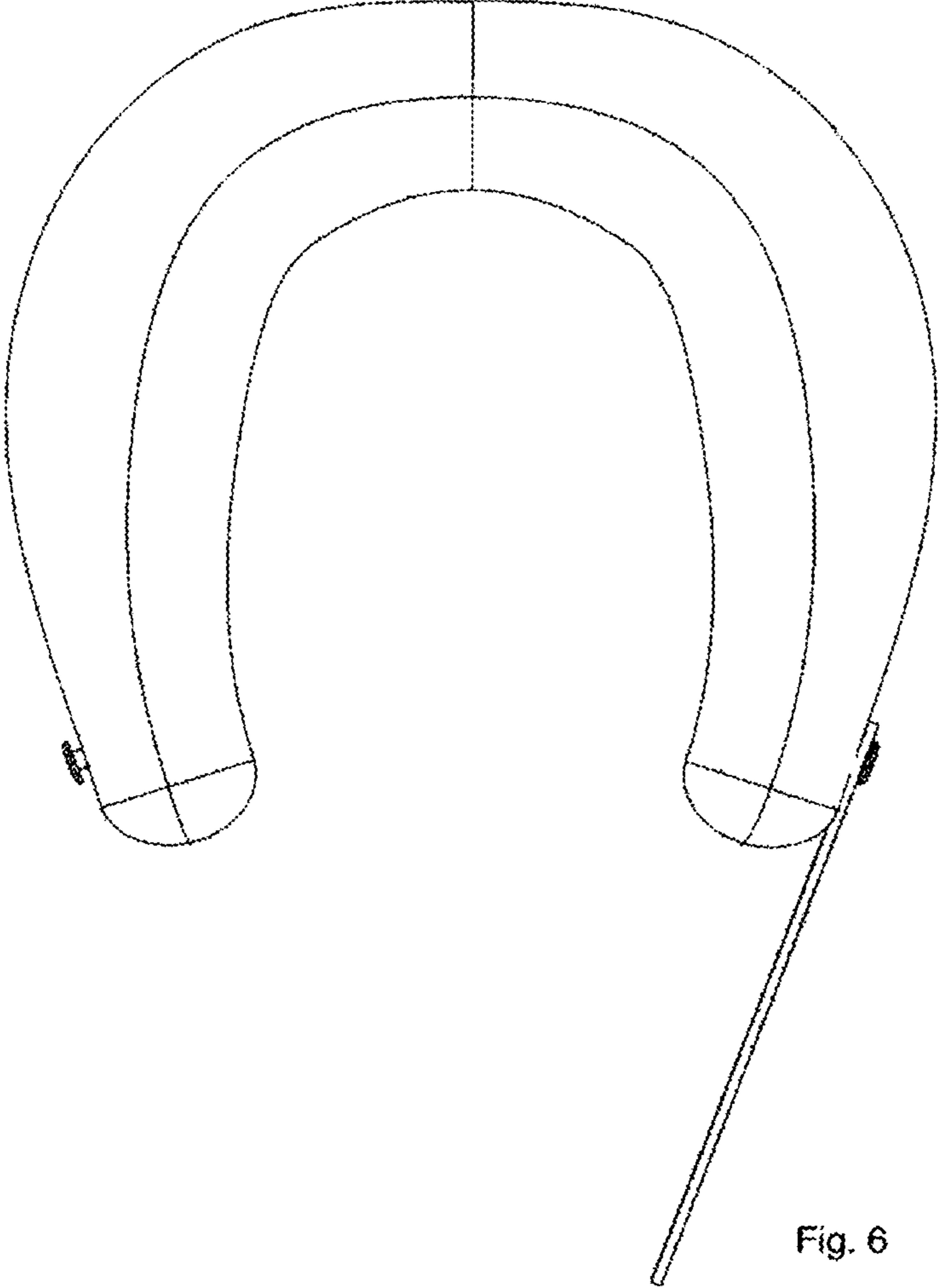


Fig. 6

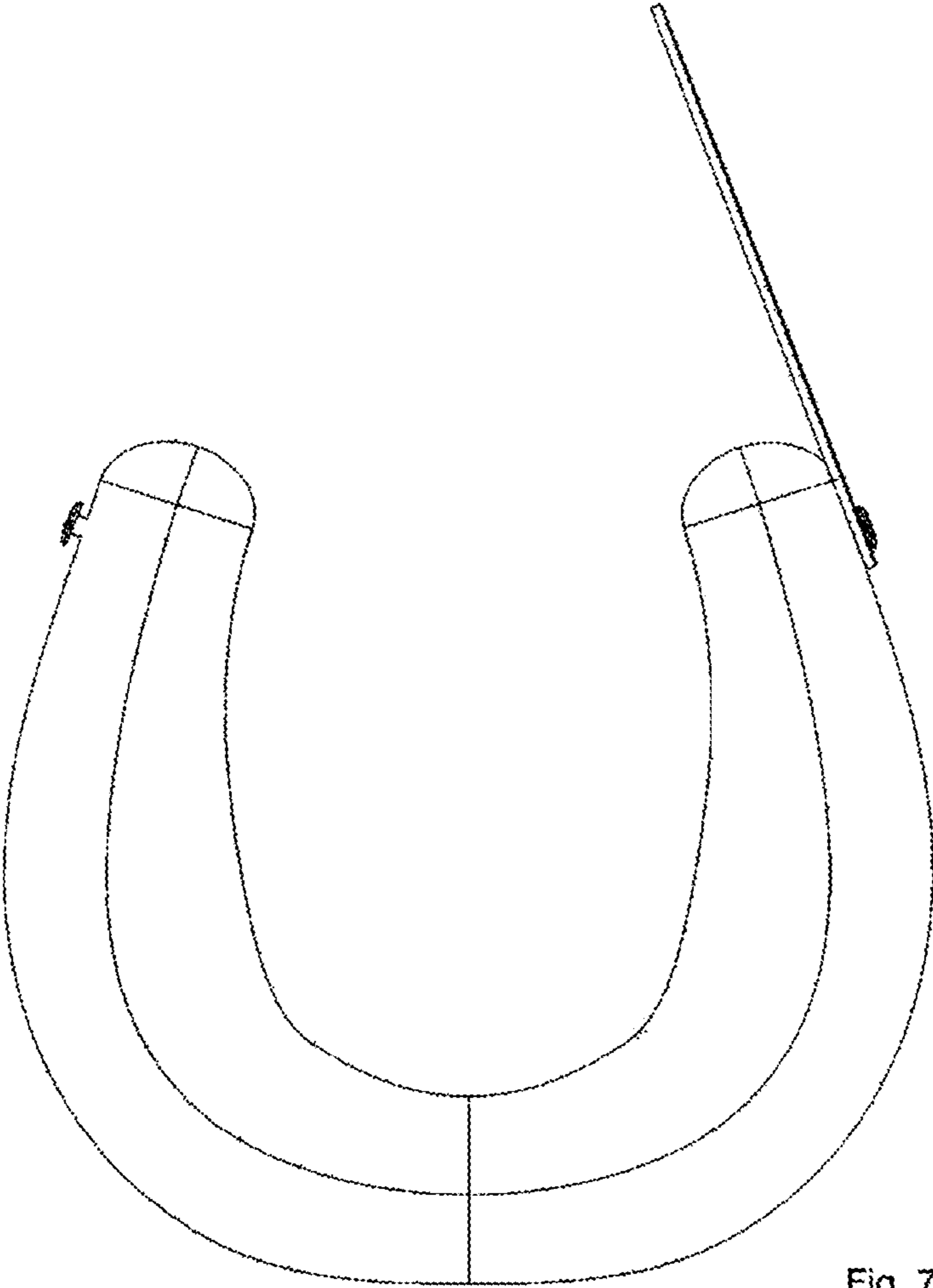


Fig. 7