



US00D931009S

(12) **United States Design Patent** (10) **Patent No.:** **US D931,009 S**
Stelmarski (45) **Date of Patent:** **** Sep. 21, 2021**

(54) **ORGANIZER**

- (71) Applicant: **InterDesign, Inc.**, Solon, OH (US)
- (72) Inventor: **Brian Stelmarski**, Hudson, OH (US)
- (73) Assignee: **InterDesign, Inc.**, Solon, OH (US)
- (**) Term: **15 Years**
- (21) Appl. No.: **29/647,314**
- (22) Filed: **May 11, 2018**

Related U.S. Application Data

- (63) Continuation of application No. 29/542,998, filed on Oct. 20, 2015, now Pat. No. Des. 817,659, which is a continuation-in-part of application No. 13/742,840, filed on Jan. 16, 2013, now Pat. No. 9,174,333.
- (51) **LOC (13) Cl.** **07-05**
- (52) **U.S. Cl.**
USPC **D6/525**
- (58) **Field of Classification Search**
USPC D8/105; D6/525, 512, 524, 552, 567, D6/534, 536, 553, 540, 566, 528, 663; 206/77.1, 207, 581, 349, 557, 823; D32/52, 55; D34/7; 211/13.1, 71.01, 74, 211/75, 86.01, 126.1, 133.5, 134, 181.1
CPC A47K 1/09; A47K 3/281; A47K 10/16; A47K 2201/00; A47K 5/05; A47K 5/18
See application file for complete search history.

(56) **References Cited**

U.S. PATENT DOCUMENTS

D551,002 S *	9/2007	Snell	D6/525
D827,328 S *	9/2018	Joseph	D6/525
D827,338 S *	9/2018	Stelmarski	D6/663
D833,699 S *	11/2018	Serrahima	D32/55
D845,662 S *	4/2019	Ghiorghie	D6/525
D885,700 S *	5/2020	Joseph	D32/55

* cited by examiner

Primary Examiner — Mark Booker

(74) *Attorney, Agent, or Firm* — Calfee, Halter & Griswold LLP

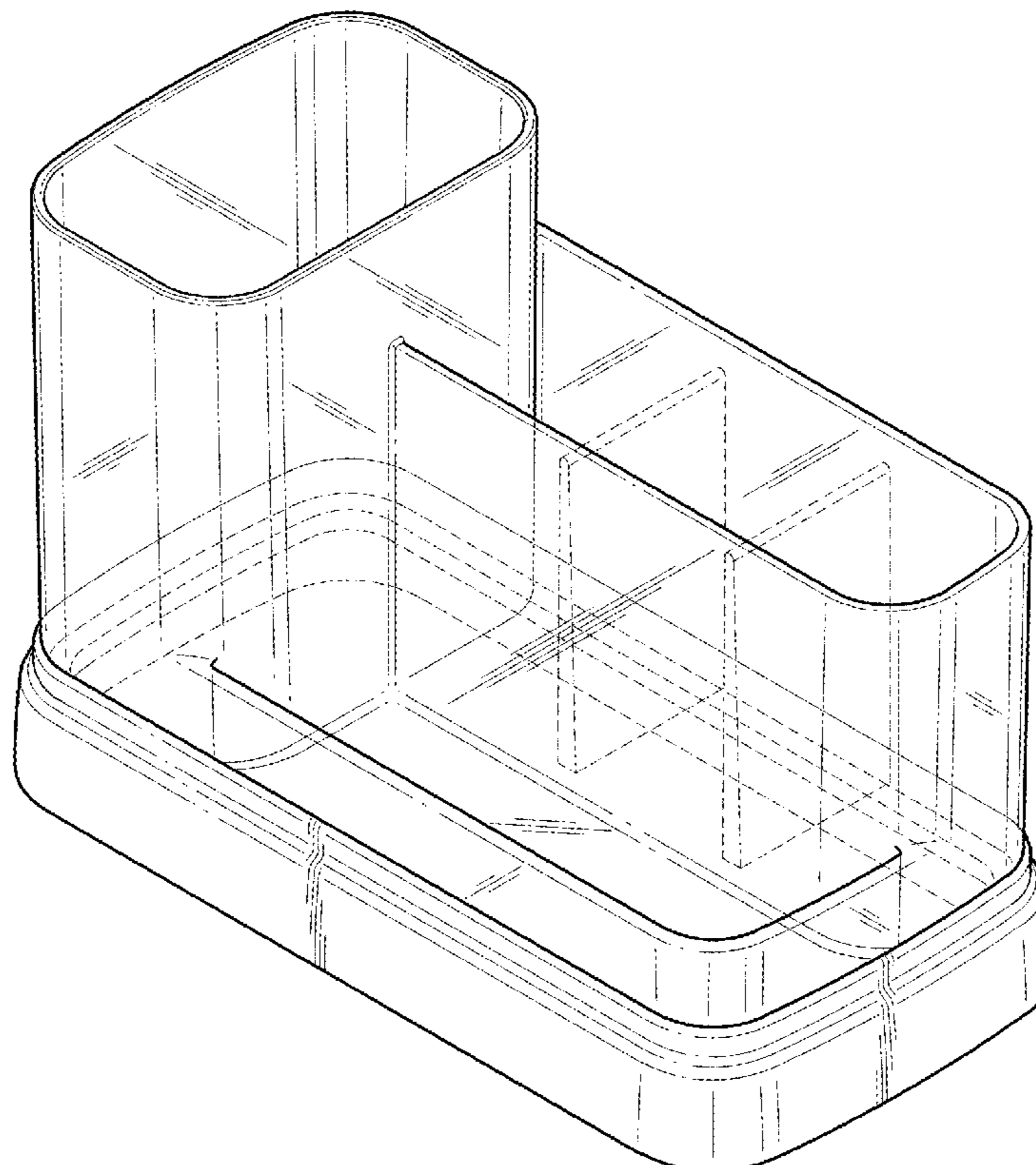
(57) **CLAIM**

I claim the ornamental design for an organizer, as shown and described.

DESCRIPTION

FIG. 1 is a front/right/top perspective view of an organizer; FIG. 2 is a rear/left/bottom perspective view thereof; FIG. 3 is a front elevational view thereof; FIG. 4 is a rear elevational view thereof; FIG. 5 is a right side elevational view thereof; FIG. 6 is a left side elevational view thereof; FIG. 7 is a top plan view thereof; and, FIG. 8 is a bottom plan view thereof. The broken lines depict portions that form no part of the claimed design.

1 Claim, 5 Drawing Sheets



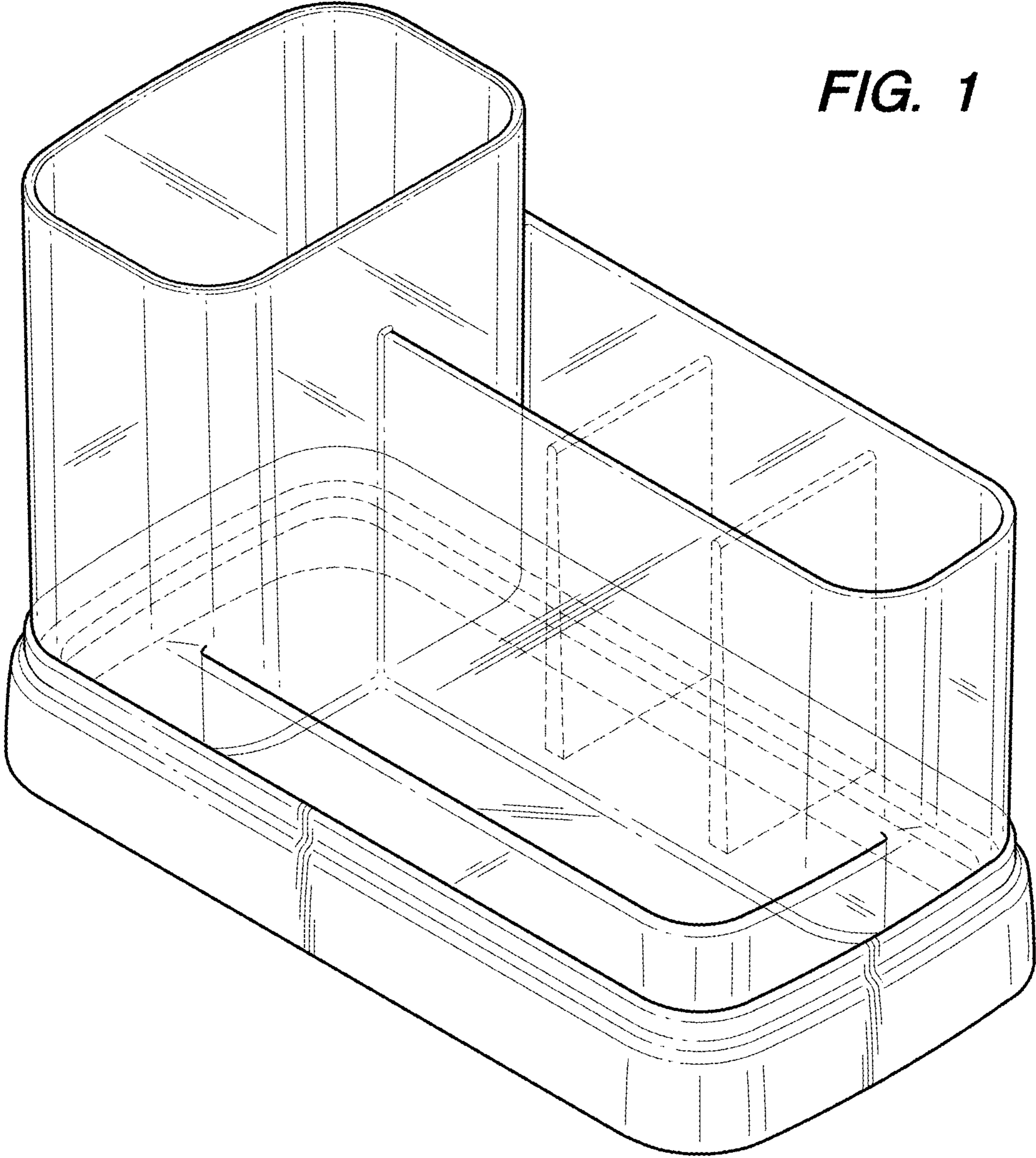


FIG. 1

FIG. 2

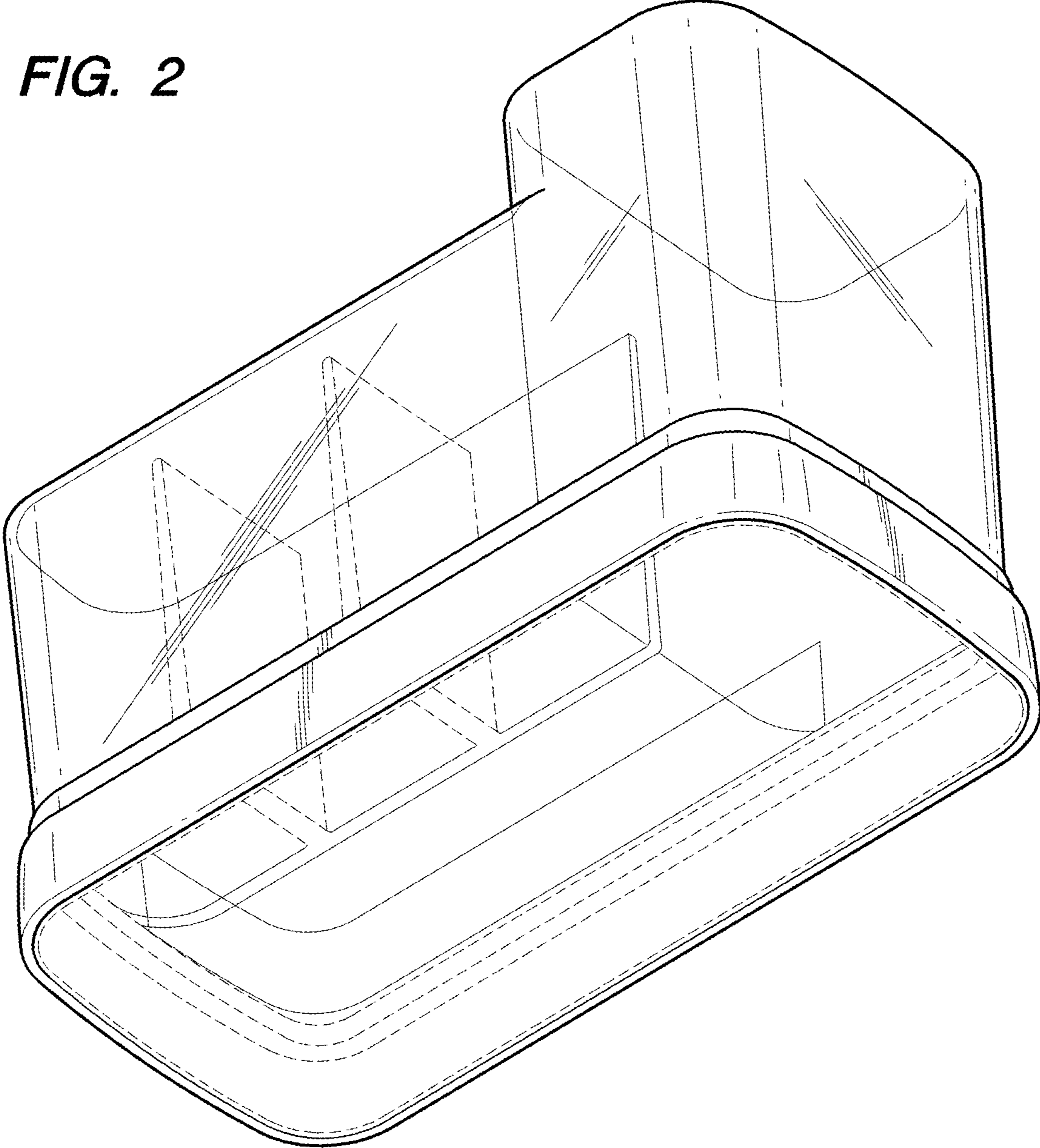


FIG. 3

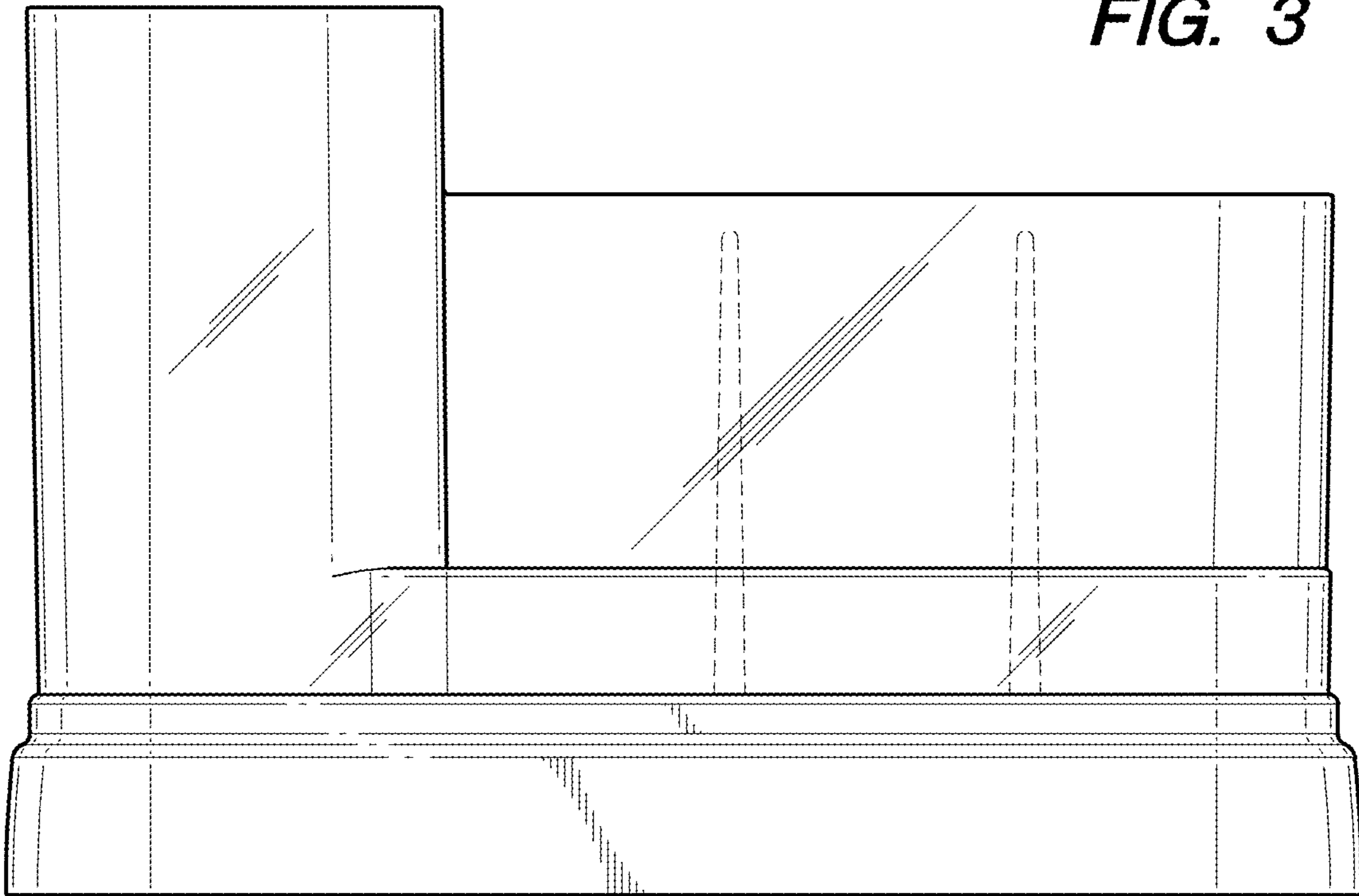
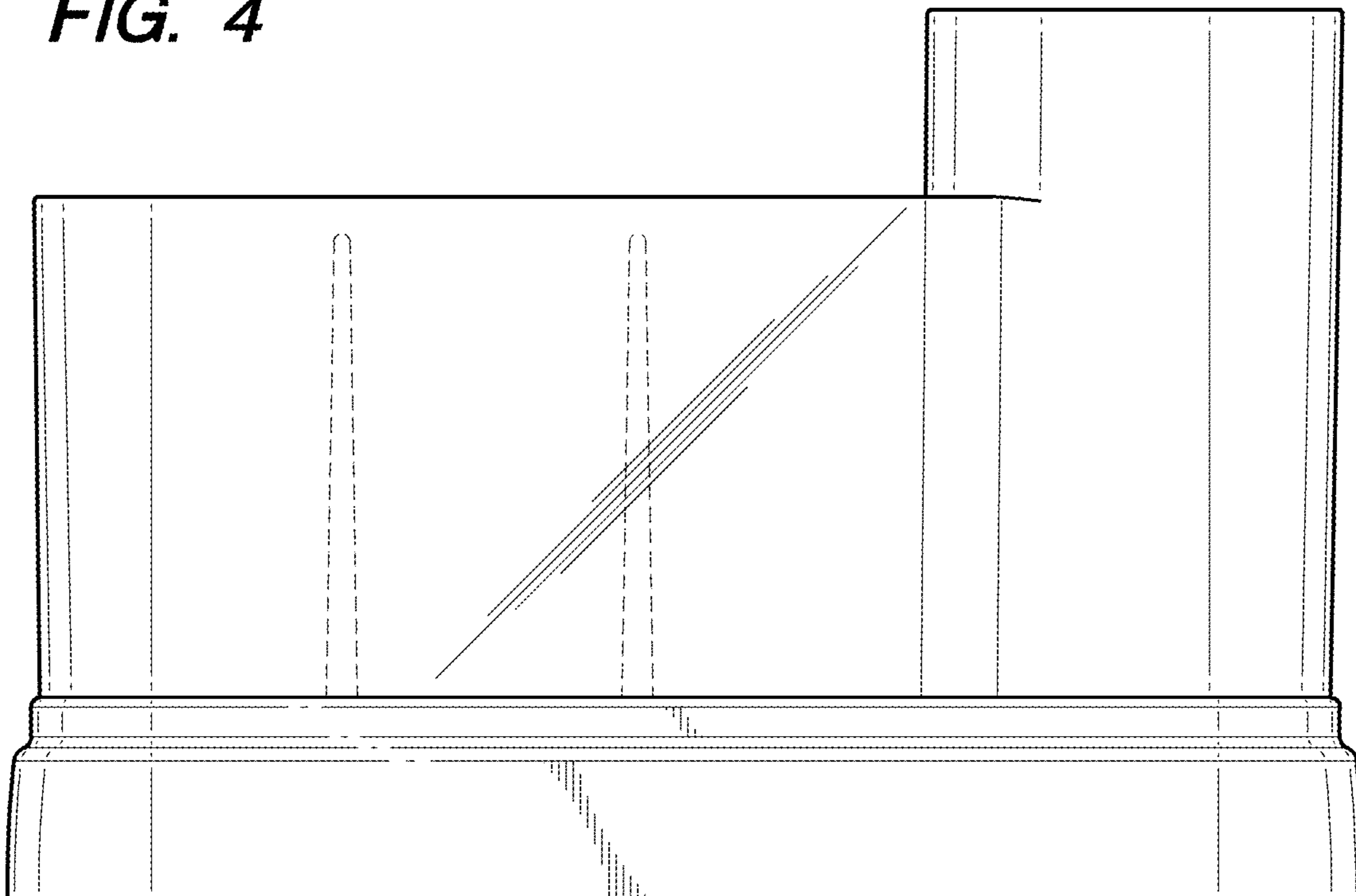


FIG. 4



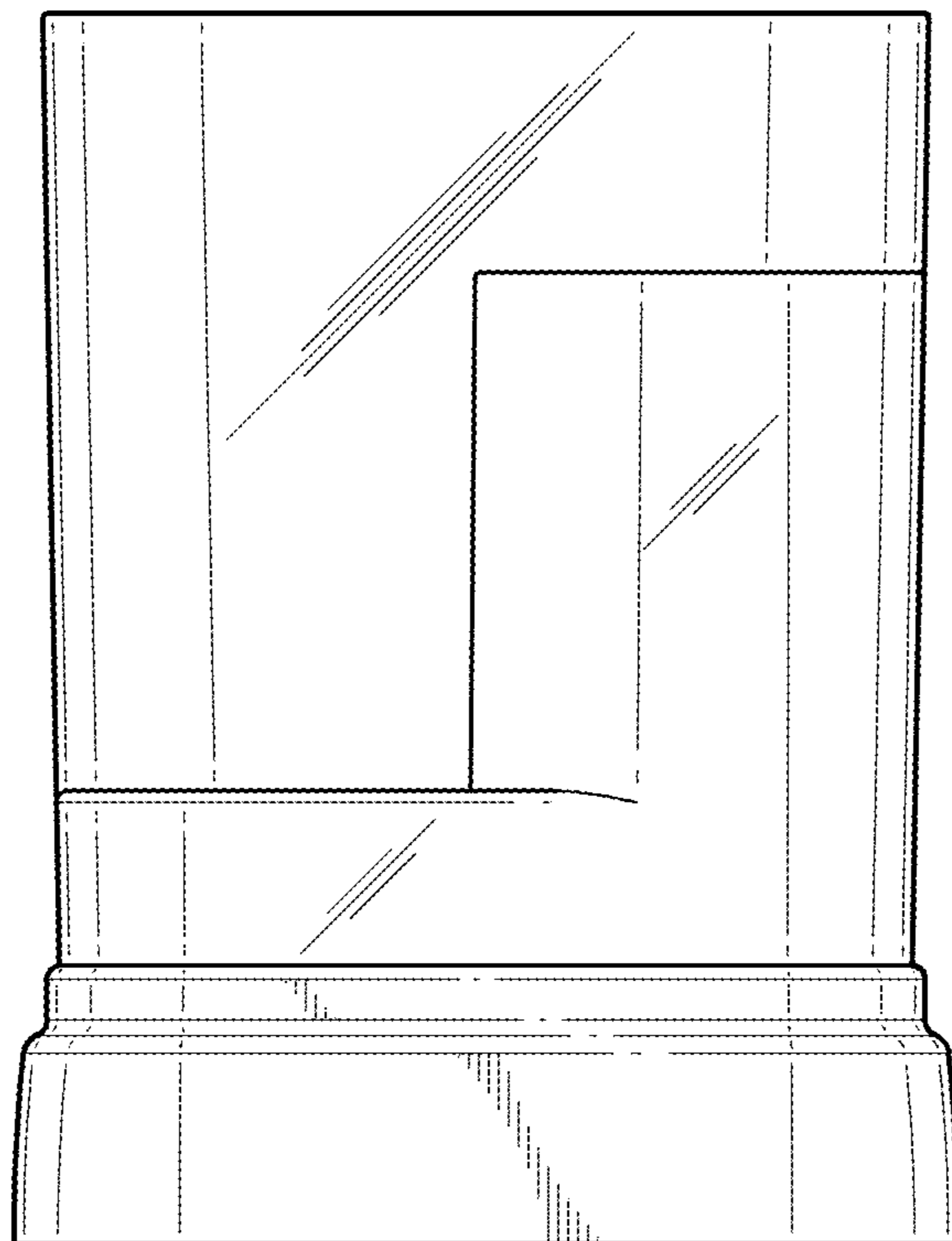


FIG. 5

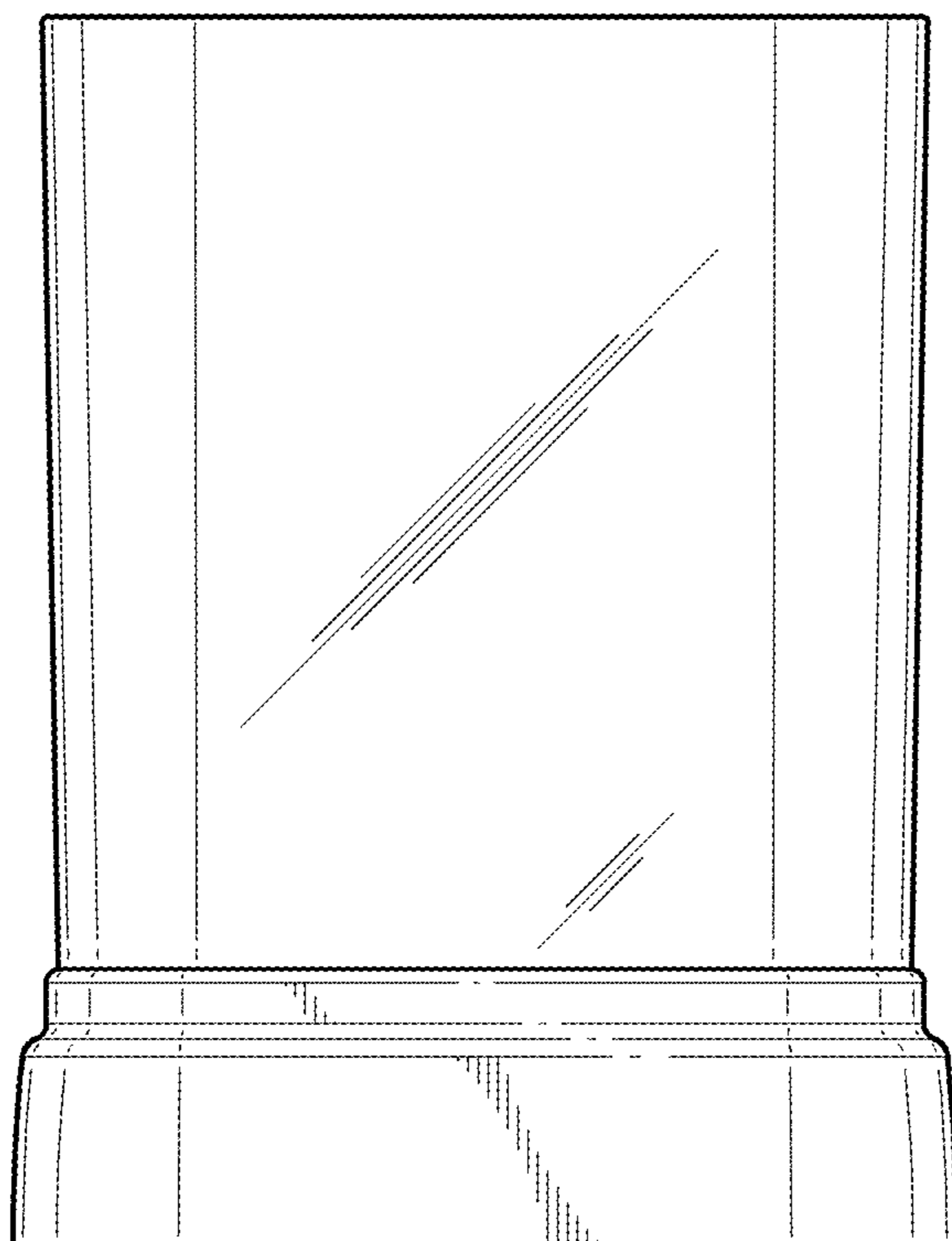


FIG. 6

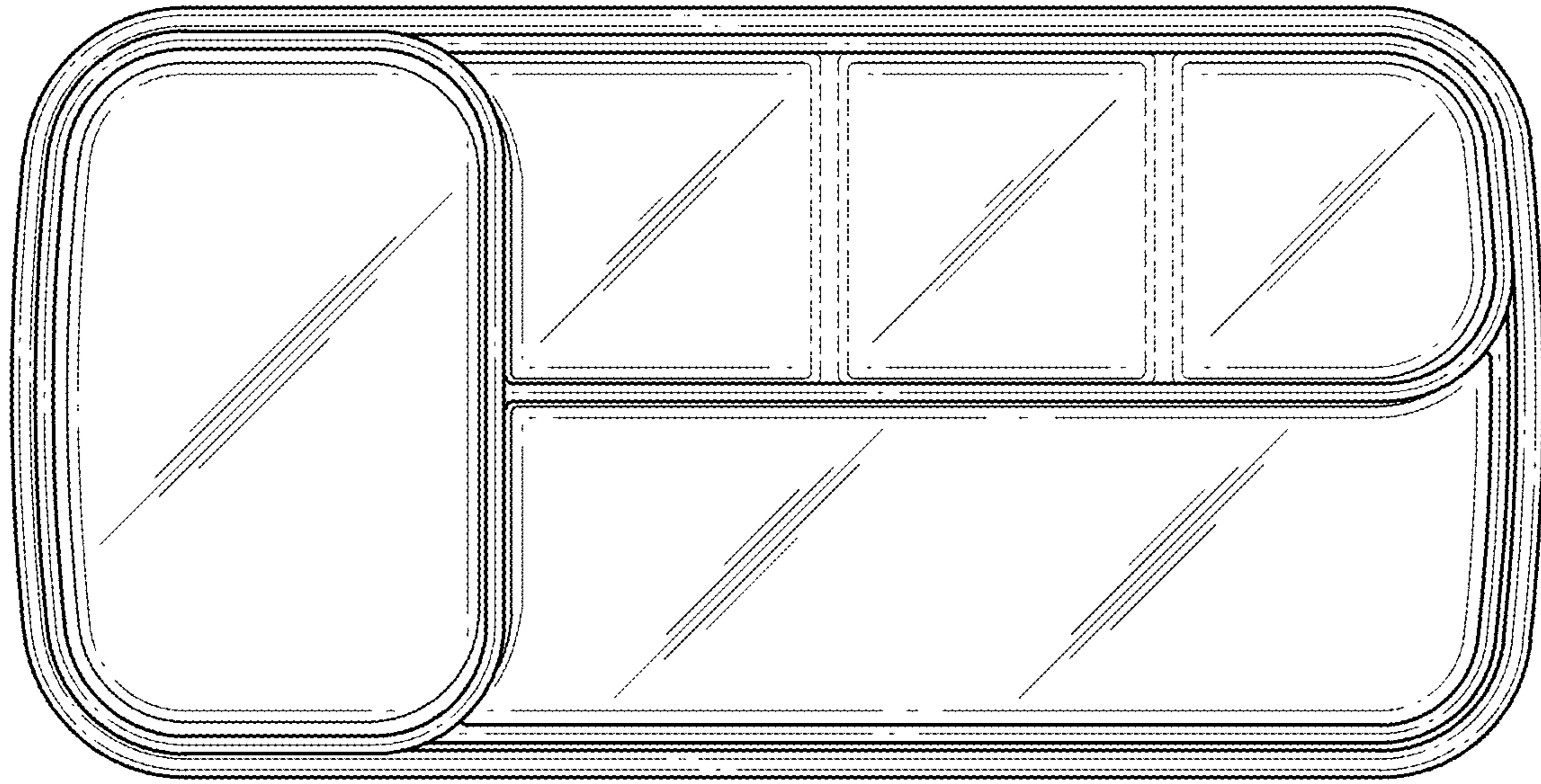


FIG. 7

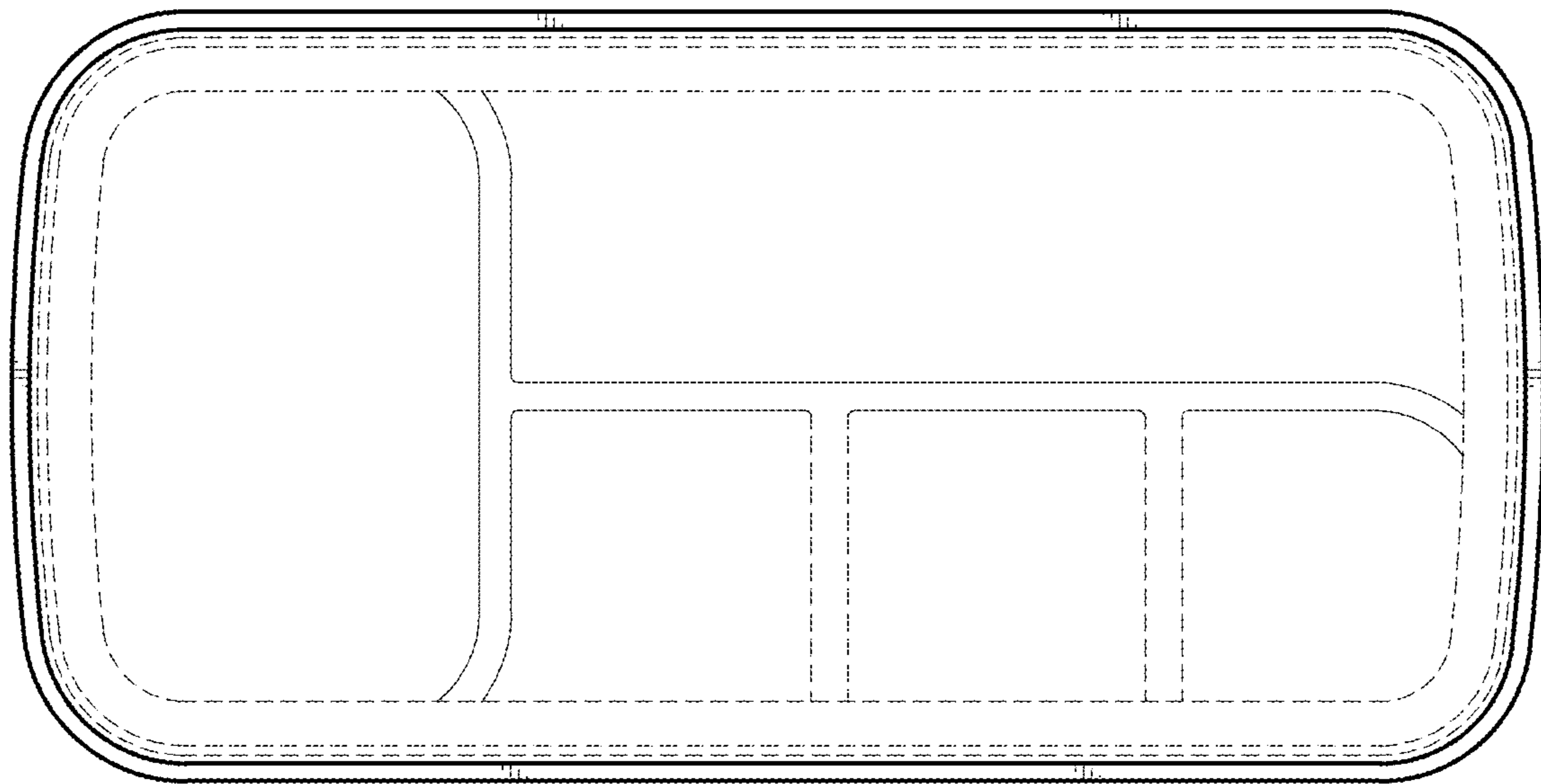


FIG. 8