



US00D931008S

(12) **United States Design Patent**  
**Morand**

(10) **Patent No.:** **US D931,008 S**

(45) **Date of Patent:** **\*\* Sep. 21, 2021**

(54) **DIAPER PAIL CASSETTE**

(71) Applicant: **International Refills Company Ltd.,**  
Christ Church (BB)

(72) Inventor: **Michel Morand,** Montreal (CA)

(73) Assignee: **International Refills Company Ltd.,**  
Christ Church (BB)

(\*\*) Term: **15 Years**

(21) Appl. No.: **29/641,905**

(22) Filed: **Mar. 26, 2018**

**Related U.S. Application Data**

(62) Division of application No. 29/537,350, filed on Aug. 25, 2015, now abandoned.

(30) **Foreign Application Priority Data**

Feb. 25, 2015 (CA) ..... CA 161229  
Jun. 16, 2015 (EM) ..... 002719971

(51) **LOC (13) Cl.** ..... **20-02**

(52) **U.S. Cl.**  
USPC ..... **D6/515**

(58) **Field of Classification Search**  
USPC ..... D6/515, 518; D7/354, 357, 359, 677;  
D34/10; D8/397; D9/438, 441, 443  
CPC .. B65F 2240/132; B65F 1/062; B65F 1/0006;  
B65F 1/06; B65F 1/16; B65F 2210/167;  
B32B 2439/46; A41B 2400/52  
See application file for complete search history.

(56) **References Cited**

**U.S. PATENT DOCUMENTS**

D654,738 S \* 2/2012 Morand ..... D6/515  
D661,527 S \* 6/2012 Morand ..... D6/515

D664,386 S \* 7/2012 Ohnishi ..... D6/515  
D705,566 S \* 5/2014 Morand ..... D6/515  
2018/0362250 A1\* 12/2018 Morand ..... B65F 1/0006

**OTHER PUBLICATIONS**

Henri Normak, Create Hexagon ImageView shape in iOS, May 3, 2015, Stack Exchange Inc., URL:<http://stackoverflow.com/questions/30018970/create-hexagon-imageview-shape-in-ios> 4 pages, retrieved Feb. 22, 2017.

Antiques Navigator, Ancient Greek Ring Engraved: Swastika Sun Lines: Hexagon Style: Rare, Feb. 8, 2015, Antiques Navigator, URL:<http://www.antiquesnavigator.com/d-1797823/ancient-greek-ring--engraved-swastika-sun-lines--hexagon-style--rare.html> 1 page, retrieved on Feb. 22, 2017.

\* cited by examiner

*Primary Examiner* — Wan Laymon

*Assistant Examiner* — Mark Booker

(74) *Attorney, Agent, or Firm* — Fish & Richardson P.C.

(57) **CLAIM**

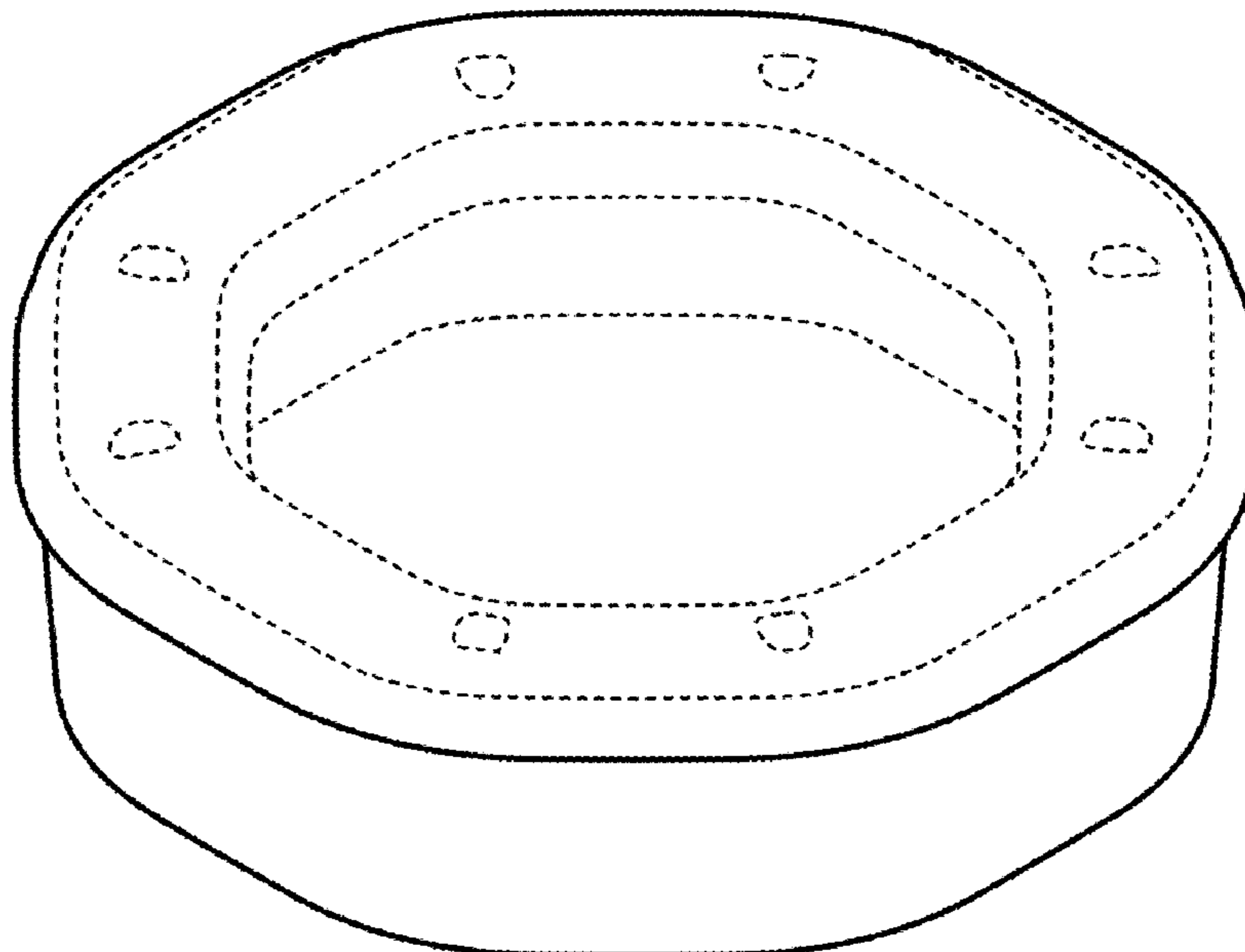
The ornamental design for a diaper pail cassette, substantially as shown and described.

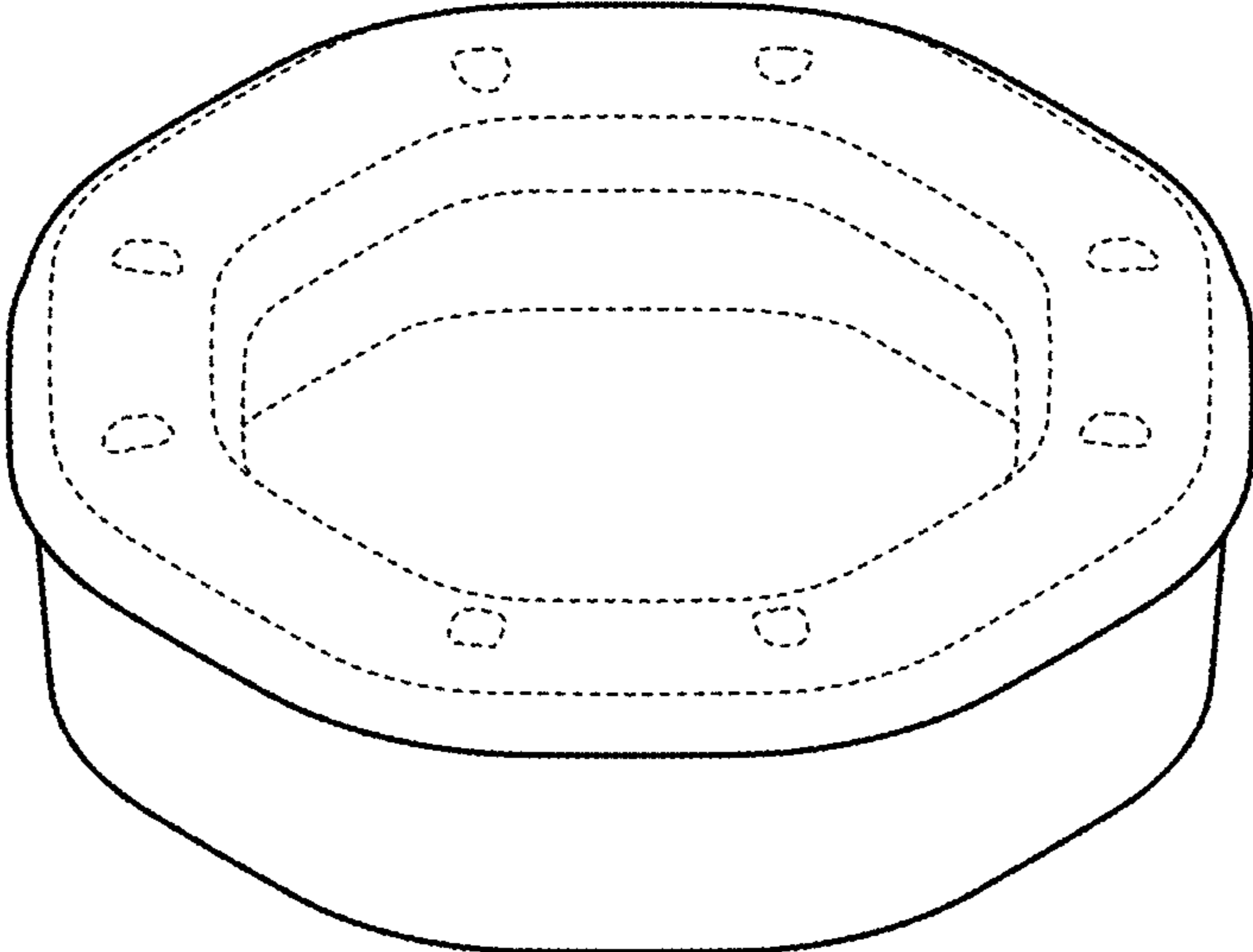
**DESCRIPTION**

FIG. 1 is a front, top perspective view of a diaper pail cassette showing my new design;  
FIG. 2 is a top view thereof;  
FIG. 3 is a front view thereof; and,  
FIG. 4 is a bottom view thereof.

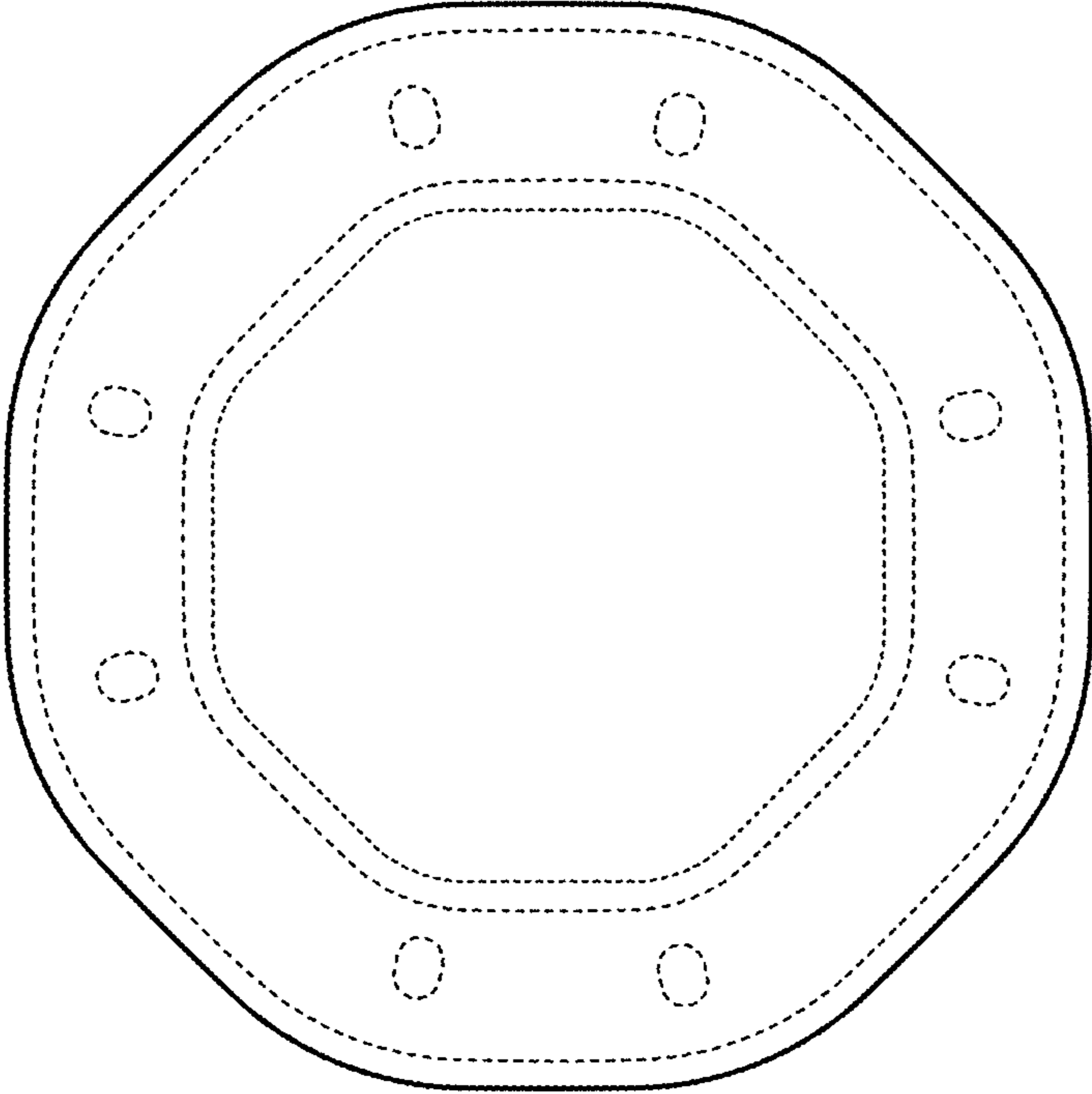
The broken lines shown in the figures represent portions of the diaper pail cassette that form no part of the claimed design and boundaries of the claimed portion of the diaper pail cassette.

**1 Claim, 2 Drawing Sheets**

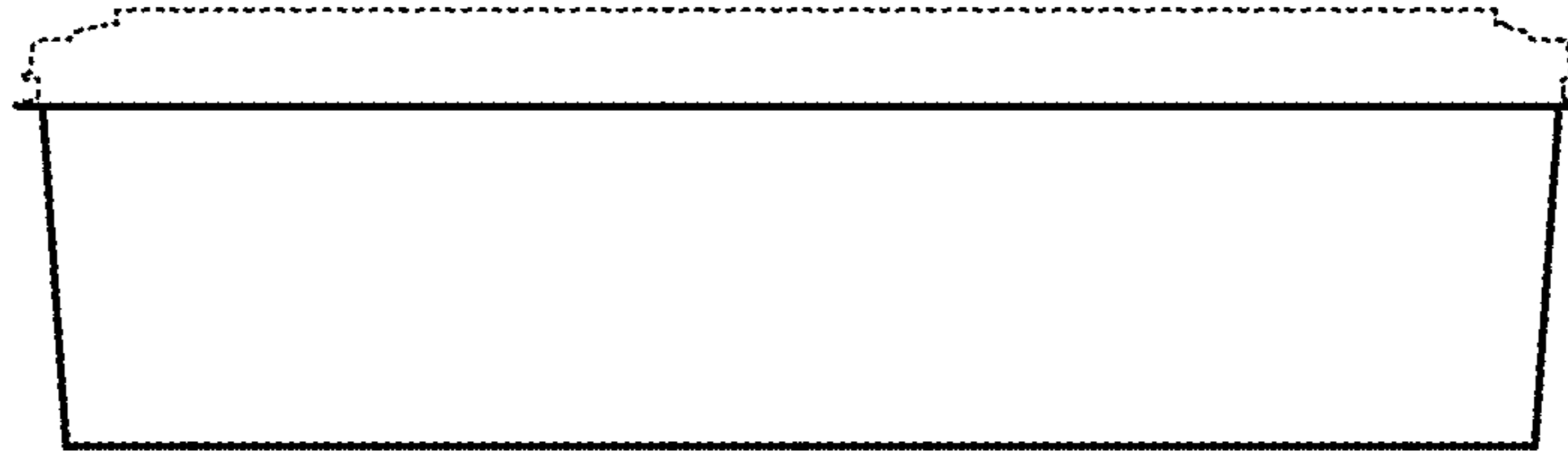




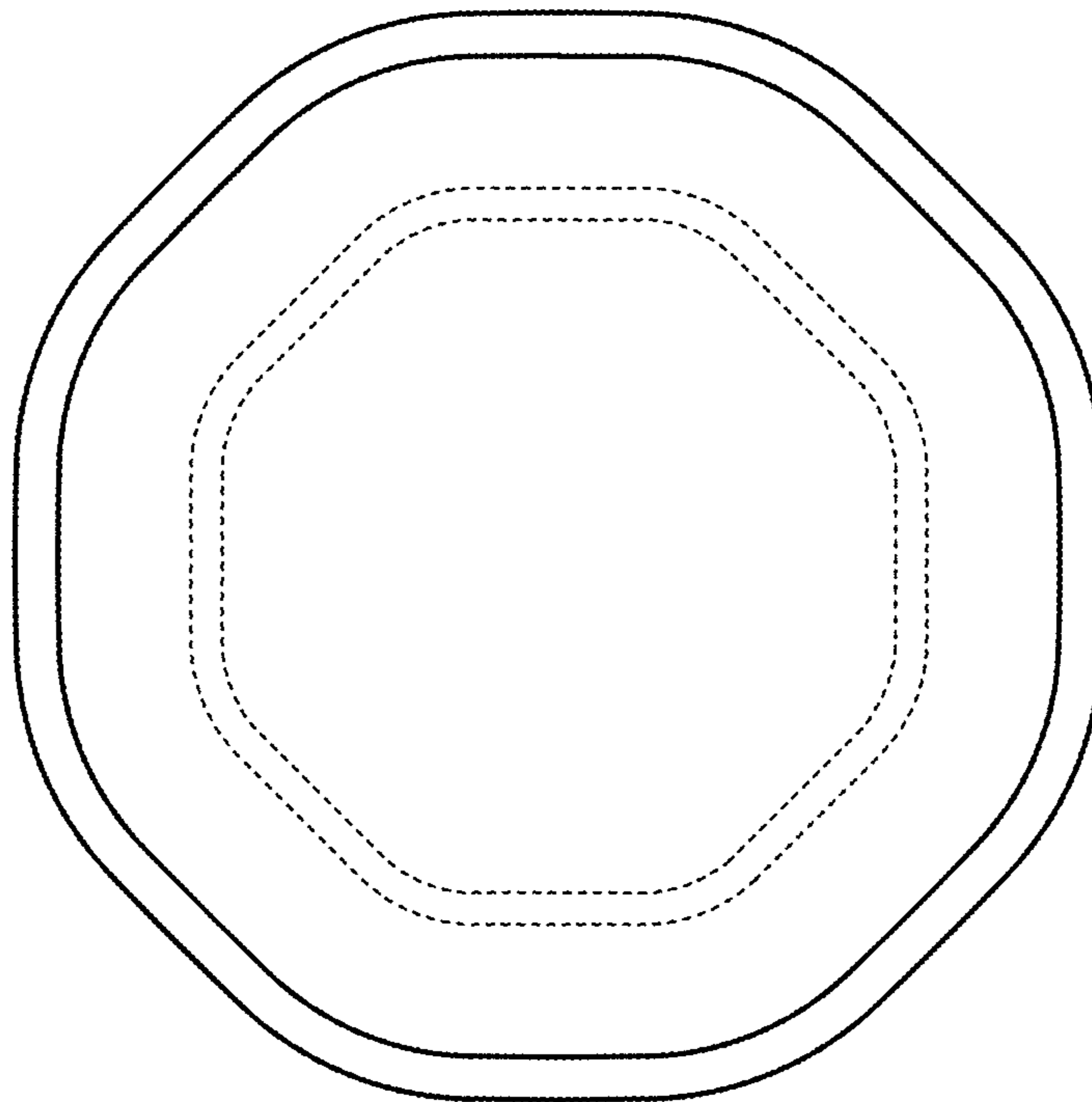
**FIG. 1**



**FIG. 2**



**FIG. 3**



**FIG. 4**