



US00D931007S

(12) **United States Design Patent**
Rytman et al.

(10) **Patent No.:** **US D931,007 S**

(45) **Date of Patent:** **** Sep. 21, 2021**

(54) **CONVERTIBLE FURNITURE**

(71) Applicant: **Tablebed Oy**, Turku (FI)

(72) Inventors: **Mark Rytman**, Turku (FI); **Dine Renfors**, Turku (FI)

(73) Assignee: **Tablebed**, Turku (FI)

(**) Term: **15 Years**

(21) Appl. No.: **29/693,137**

(22) Filed: **May 31, 2019**

(51) **LOC (13) Cl.** **06-02**

(52) **U.S. Cl.**
USPC **D6/383**

(58) **Field of Classification Search**
USPC D6/382-384
CPC A47B 85/06; A47C 13/00; A47C 17/52;
A47C 17/54; A47C 17/58; A47C 17/62;
A47C 19/205

See application file for complete search history.

(56) **References Cited**

U.S. PATENT DOCUMENTS

3,311,932	A *	4/1967	Ahola	A47C 19/205 5/9.1
3,386,110	A *	6/1968	Vanhentenrijk	A47C 17/38 5/3
3,828,375	A *	8/1974	Driver	A47C 17/40 5/160
D277,054	S *	1/1985	Hull	A47C 17/58 D6/393
4,619,005	A *	10/1986	Rutens	A47C 17/04 297/174 R
4,793,011	A *	12/1988	Eve	A47C 17/58 5/136
5,440,768	A *	8/1995	Danin	A47C 17/60 5/4

D867,781	S *	11/2019	Jeidel	A47C 17/40 D6/383
2012/0073045	A1 *	3/2012	Grubb	A47C 17/62 5/2.1
2014/0047638	A1 *	2/2014	Zimmer	A47C 17/62 5/2.1
2016/0242556	A1 *	8/2016	Ray	A47B 83/00
2018/0070733	A1 *	3/2018	Wallis	A47C 17/58
2019/0191889	A1 *	6/2019	Flora	A47B 85/08

* cited by examiner

Primary Examiner — Mary Ann Calabrese

Assistant Examiner — Katelin G Kloberg

(74) *Attorney, Agent, or Firm* — James C. Lydon

(57) **CLAIM**

The ornamental design for convertible furniture, as shown and described.

DESCRIPTION

FIG. 1 is a top plan view of the convertible furniture, shown in the bed configuration.

FIG. 2 is a bottom plan view thereof.

FIG. 3 is a right side elevation view thereof, the left side view is identical thereto.

FIG. 4 is a top side elevation view thereof; the bottom side elevation view is identical thereto.

FIG. 5 is a perspective view thereof.

FIG. 6 is a top plan view of the convertible furniture, shown in the table configuration.

FIG. 7 is a bottom plan view thereof.

FIG. 8 is a right side elevation view thereof, the left side elevation view is identical thereto.

FIG. 9 is a top side elevation view thereof, the left side view is identical thereto; and,

FIG. 10 is a perspective view thereof.

The broken lines depict portions of the article that form no part of the claimed design.

1 Claim, 10 Drawing Sheets

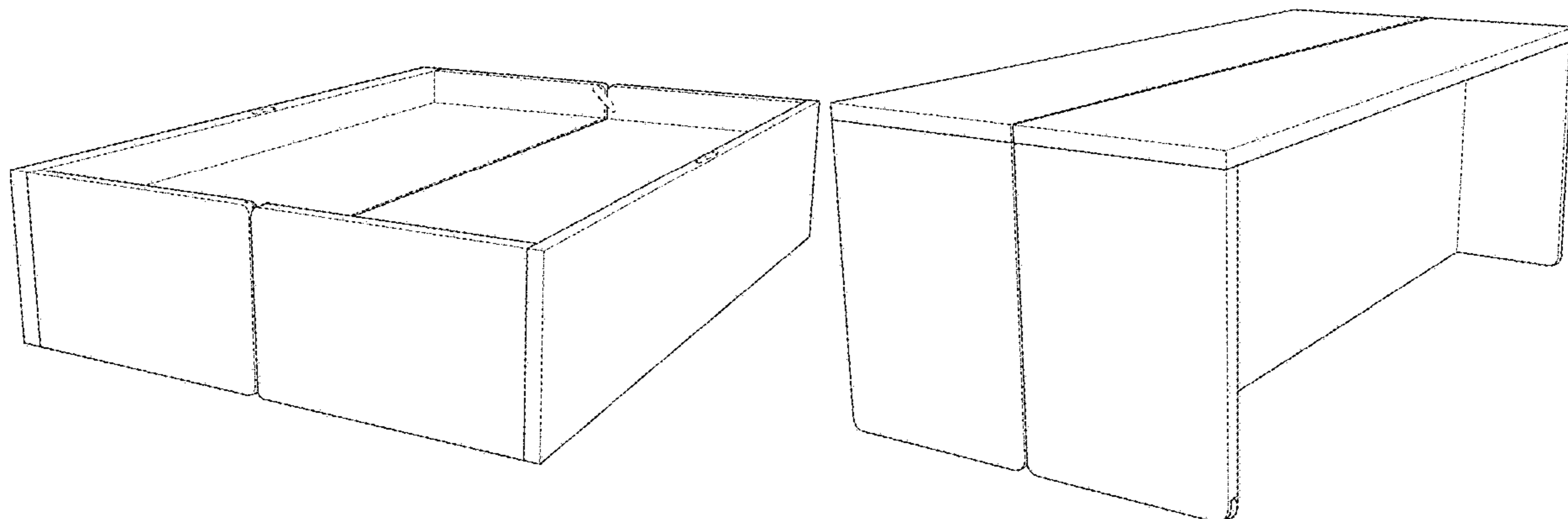


FIG. 1

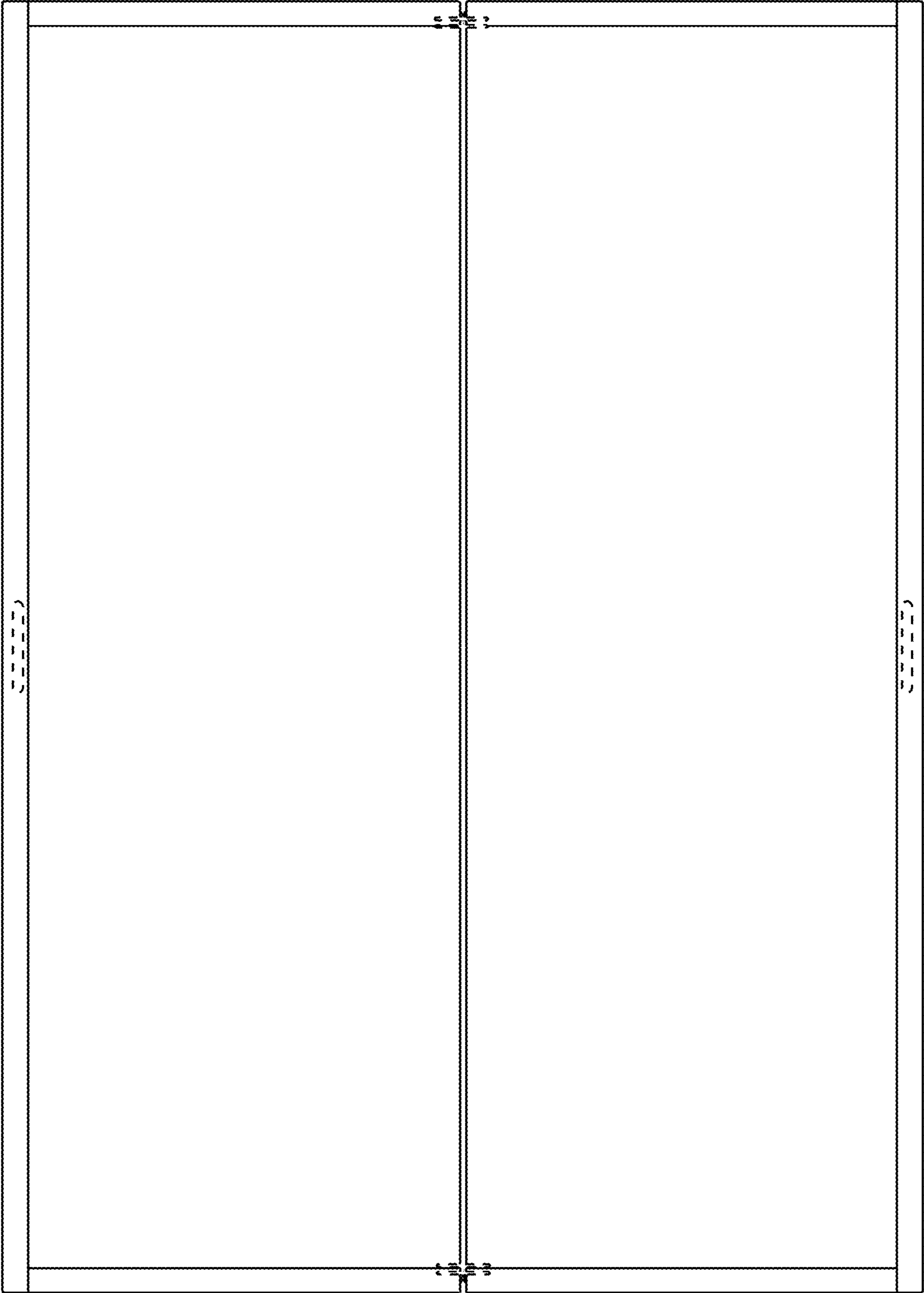


FIG. 2

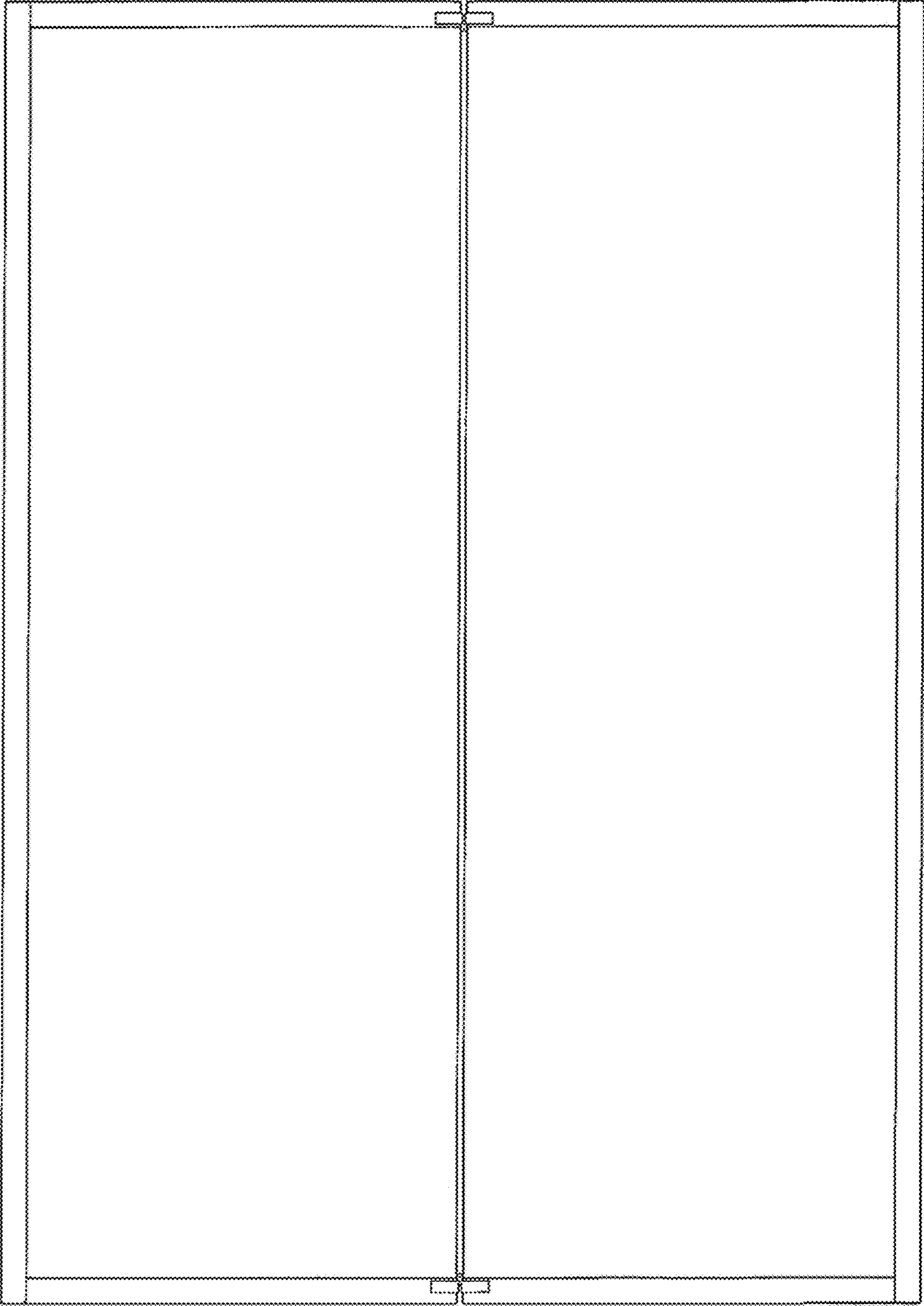


FIG. 3

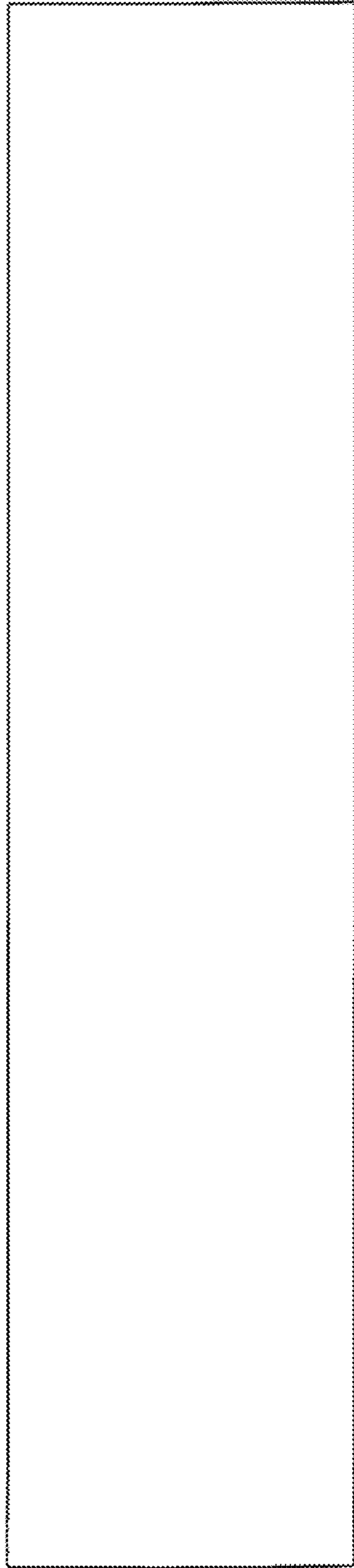
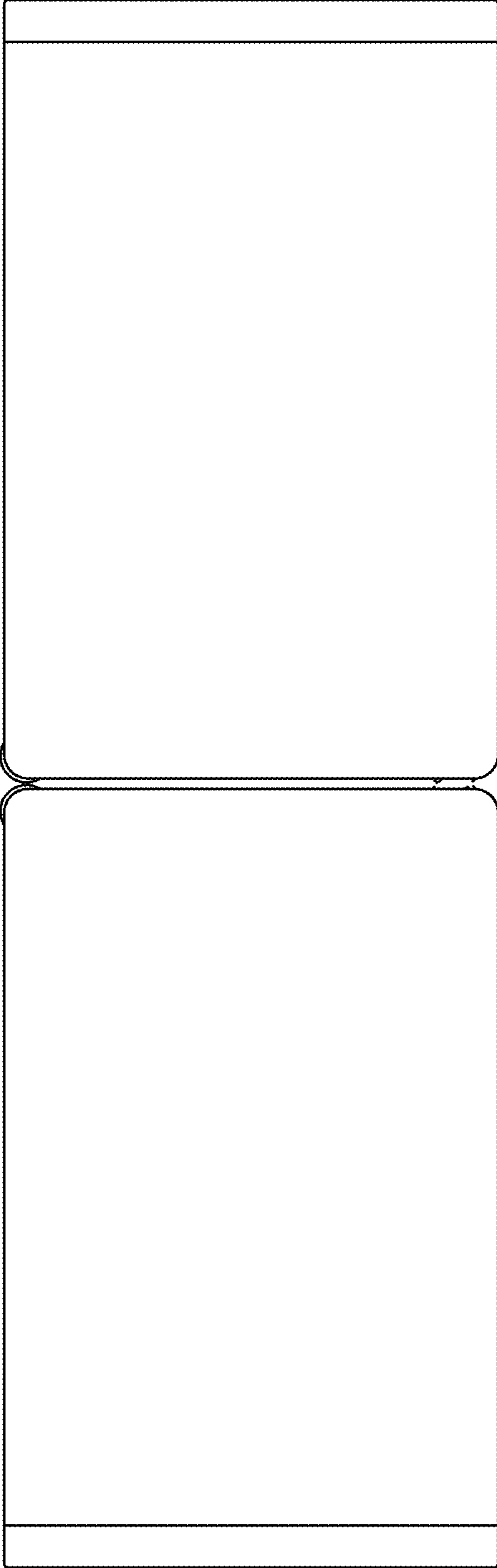


FIG. 4



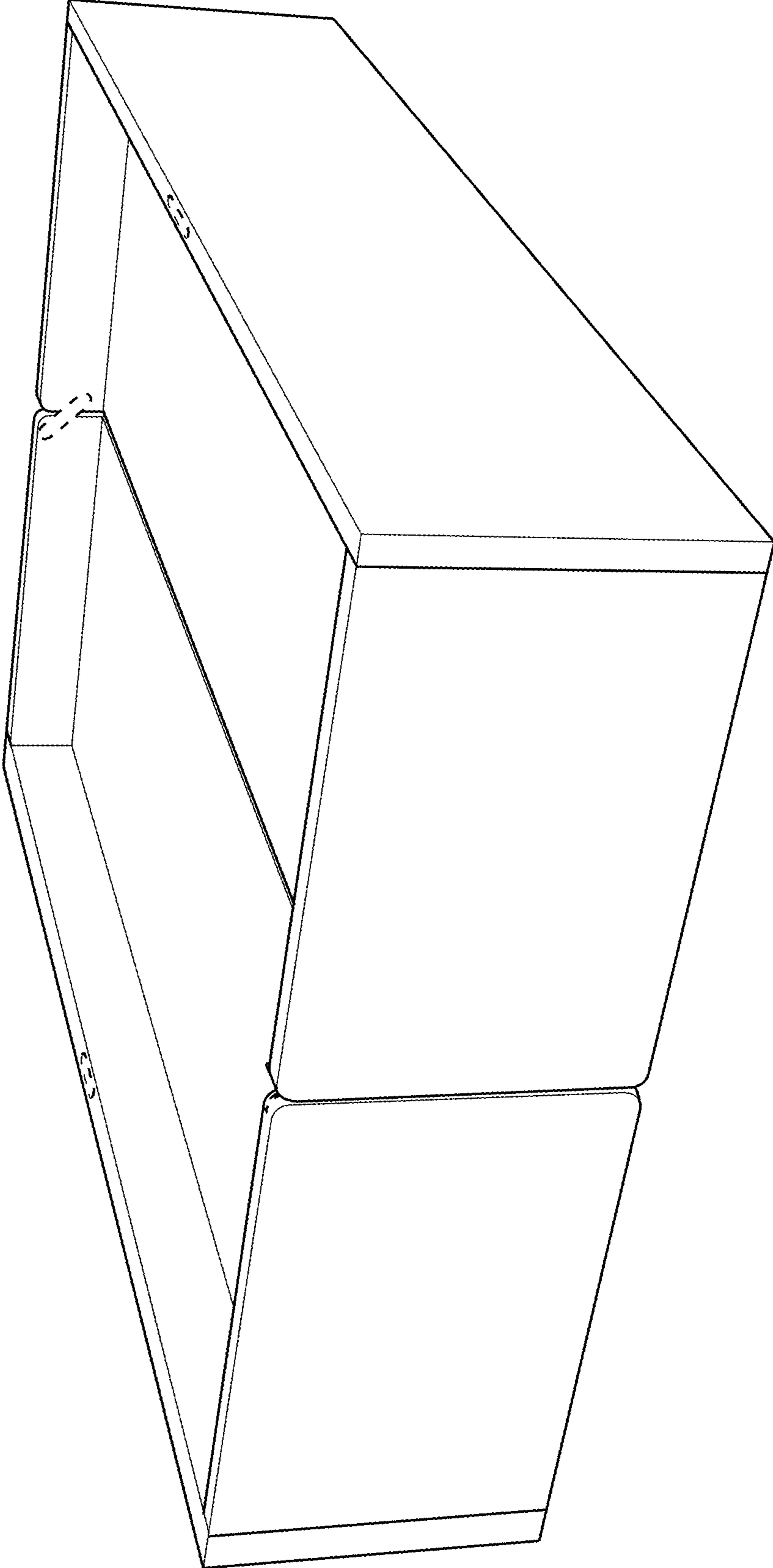


FIG. 5

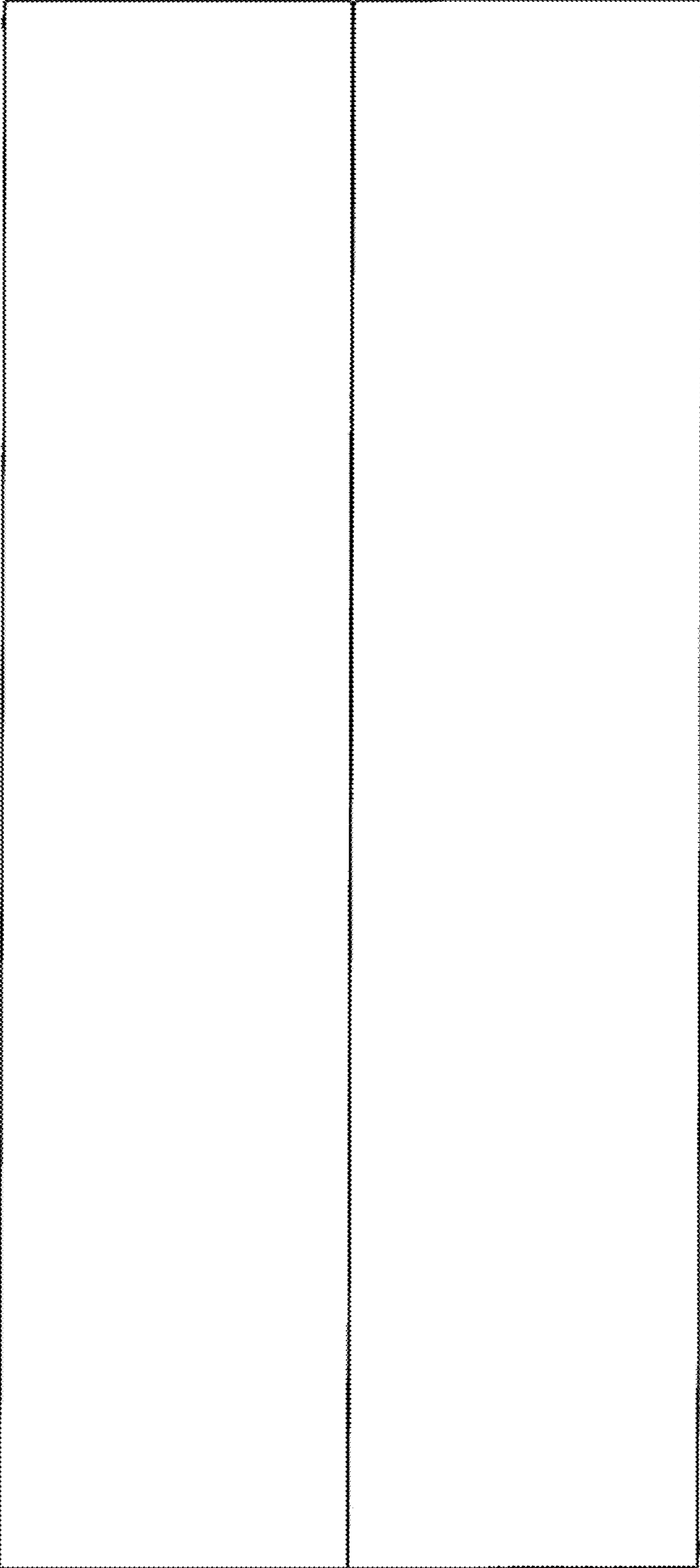


FIG. 6

FIG. 7

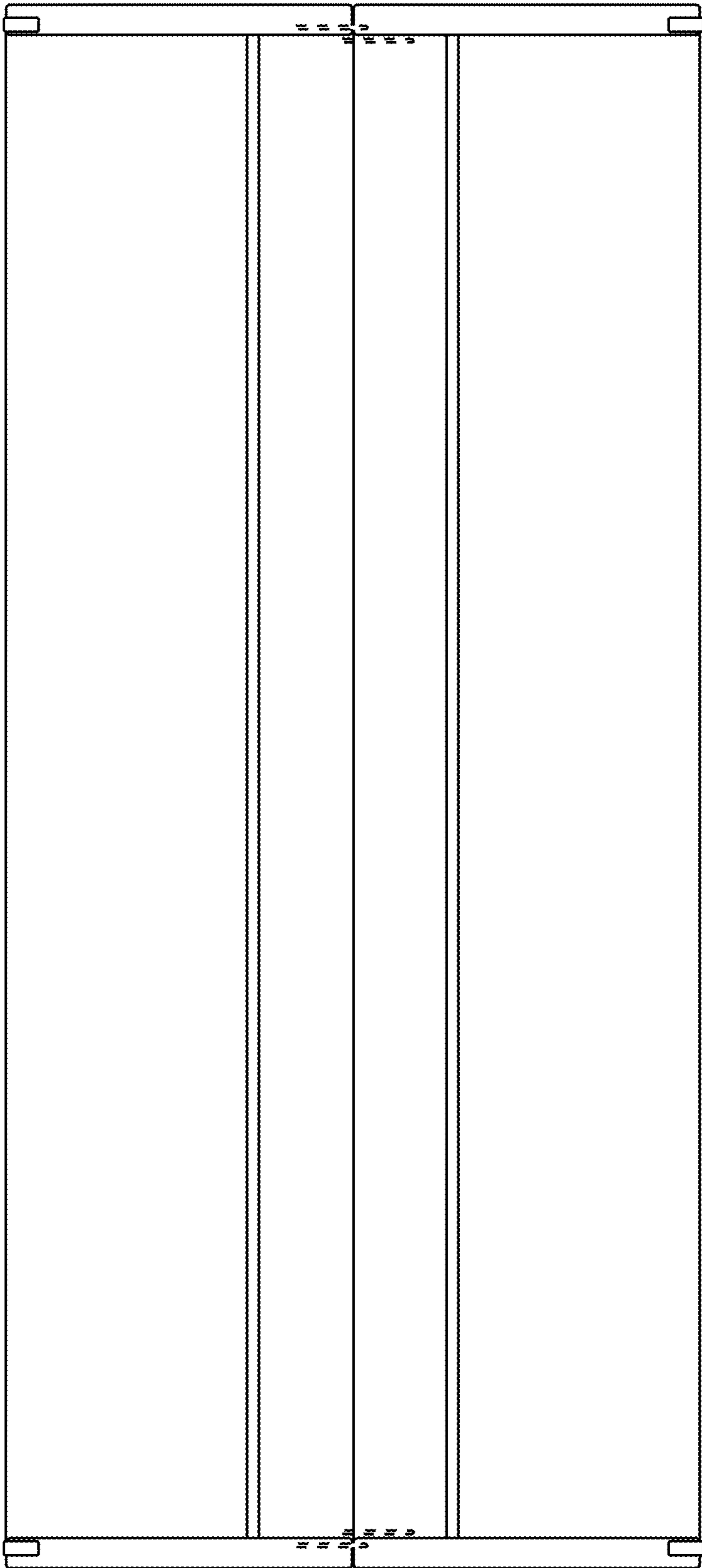
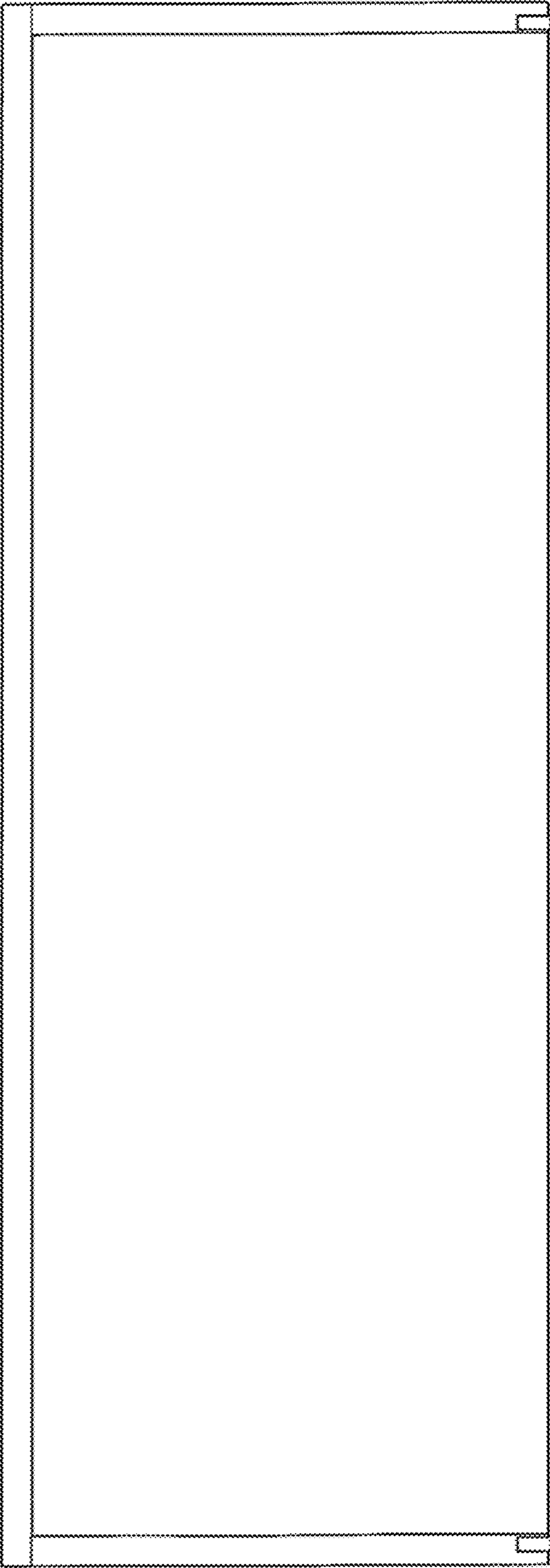


FIG. 8



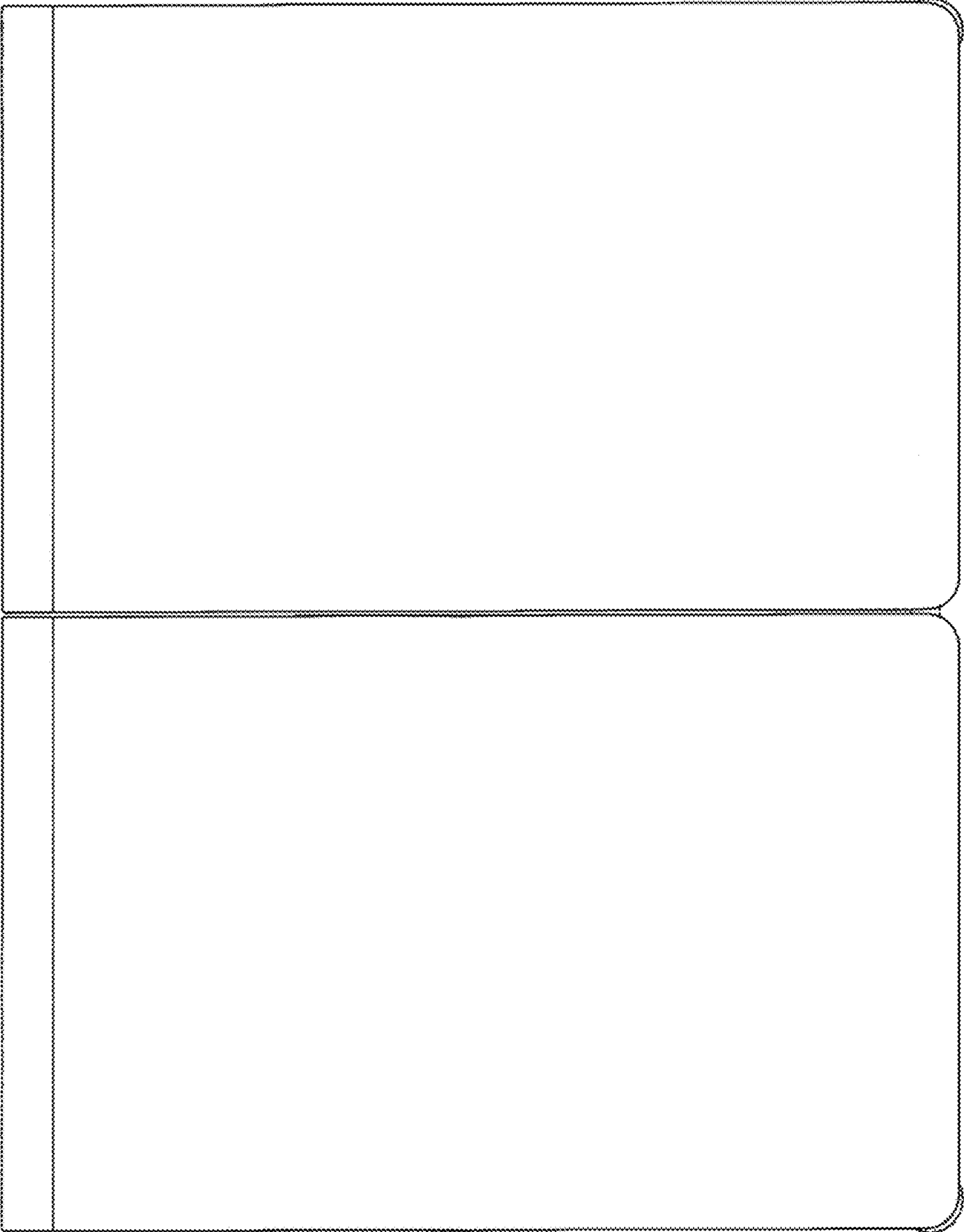


FIG. 9

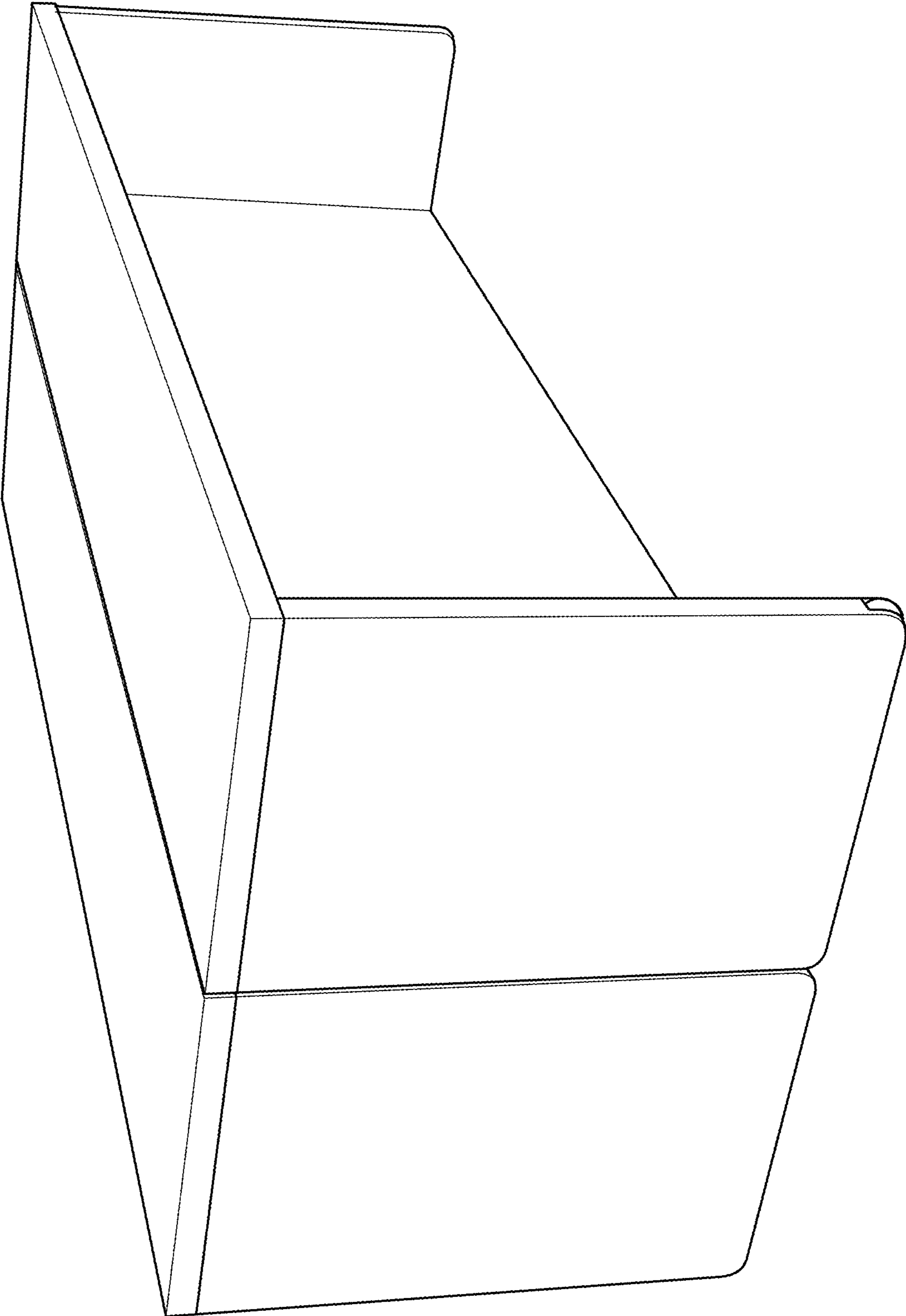


FIG. 10