



US00D931006S

(12) **United States Design Patent** (10) **Patent No.:** **US D931,006 S**  
**Killinger** (45) **Date of Patent:** **\*\* Sep. 21, 2021**

(54) **SEATING UNIT**

FOREIGN PATENT DOCUMENTS

(71) Applicant: **Williams-Sonoma, Inc.**, San Francisco, CA (US)

WO D096725-012 \* 5/2017

(72) Inventor: **James Ian Killinger**, Brooklyn, NY (US)

OTHER PUBLICATIONS

James.ian.killinger Instagram post [online]. [site visited Aug. 10, 2021]. Available from internet, URL: <https://www.instagram.com/p/Byxua2Thzbk/> (Year: 2020).\*

(73) Assignee: **Williams-Sonoma, Inc.**, San Francisco, CA (US)

(Continued)

(\*\*) Term: **15 Years**

*Primary Examiner* — Cynthia Ramirez  
*Assistant Examiner* — Xavier Marti-Santos

(21) Appl. No.: **29/736,227**

(74) *Attorney, Agent, or Firm* — Cook Alex Ltd.; R. Blake Johnston

(22) Filed: **May 28, 2020**

(51) **LOC (13) Cl.** ..... **06-01**

(57) **CLAIM**

(52) **U.S. Cl.**  
USPC ..... **D6/381; D6/334**

The ornamental design for a seating unit, as shown and described.

(58) **Field of Classification Search**  
USPC ..... D6/334-337, 349, 369, 374, 375, 377, D6/381

**DESCRIPTION**

CPC .. A47C 7/24; A47C 7/54; A47C 7/541; A47C 7/546; A47C 17/00; A47C 17/02; A47C 17/04; A47C 17/045; A47C 17/12; A47C 17/13; A47C 17/132; A47C 17/134; A47C 17/136; A47C 17/16; A47C 17/162; A47C 17/17

FIG. 1 is a perspective view of a first embodiment of the seating unit;  
FIG. 2 is a front elevational view thereof;  
FIG. 3 is a rear elevational view thereof;  
FIG. 4 is a left side elevational view thereof, the opposite side of which is a mirror image;  
FIG. 5 is a top plan view thereof;  
FIG. 6 is a bottom plan view thereof;  
FIG. 7 is a perspective view of a second embodiment of the seating unit;  
FIG. 8 is a front elevational view thereof;  
FIG. 9 is a rear elevational view thereof;  
FIG. 10 is a left side elevational view thereof, the opposite side of which is a mirror image;  
FIG. 11 is a top plan view thereof; and  
FIG. 12 is a bottom plan view thereof.  
The broken line portions of the drawings are included to show portions of the article that form no part of the claimed design.

See application file for complete search history.

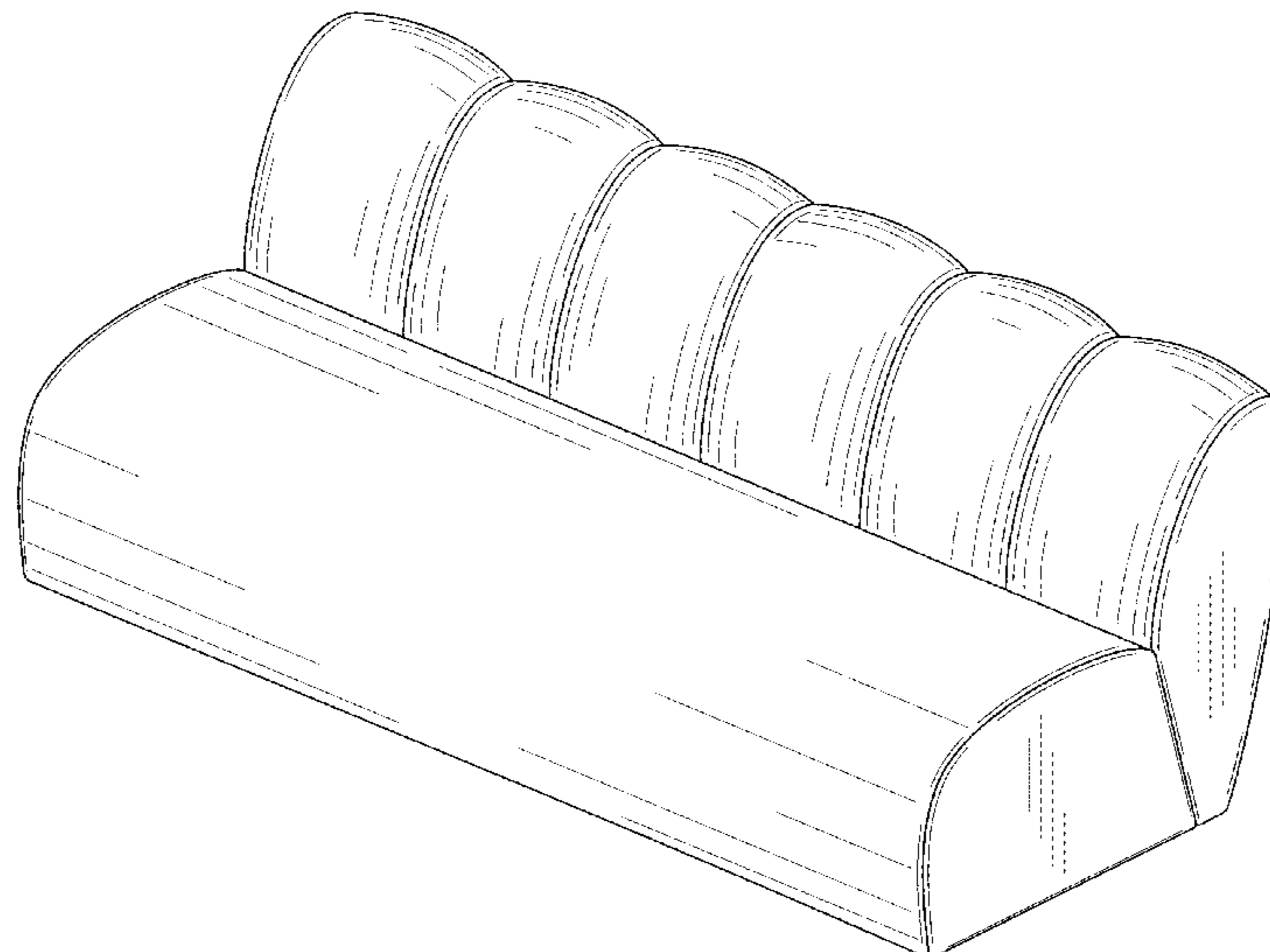
(56) **References Cited**

U.S. PATENT DOCUMENTS

- 3,766,577 A \* 10/1973 Stewart ..... A47C 27/20 5/12.1
- 4,092,049 A \* 5/1978 Schoblom ..... A47C 4/022 297/218.4
- D253,326 S \* 11/1979 Brukoff ..... D6/377
- D289,466 S \* 4/1987 Leib ..... D6/334
- D375,417 S \* 11/1996 Bonaddio ..... D6/381
- D426,398 S \* 6/2000 Lewis ..... D6/381
- D628,402 S \* 12/2010 Missoni ..... D6/381

(Continued)

**1 Claim, 12 Drawing Sheets**



(56)

References Cited

U.S. PATENT DOCUMENTS

D639,083 S \* 6/2011 Martin ..... D6/381  
 D716,064 S \* 10/2014 George, II ..... D6/334  
 D756,673 S \* 5/2016 Schweikarth ..... D6/334  
 D756,676 S \* 5/2016 George, II ..... D6/371  
 D758,752 S \* 6/2016 Garcia ..... D6/371  
 D815,452 S 4/2018 Hannoosh  
 D821,773 S 7/2018 Hale  
 D821,776 S 7/2018 Hale  
 D821,777 S 7/2018 Hale  
 D824,690 S 8/2018 Hale  
 D834,848 S 12/2018 Figueira  
 D878,797 S 3/2020 Killinger  
 D880,173 S 4/2020 Killinger  
 D880,180 S 4/2020 Czaja  
 D884,380 S 5/2020 Killinger  
 D887,160 S 6/2020 Killinger  
 D888,440 S 6/2020 Hale  
 D889,877 S 7/2020 Hale  
 D892,525 S 8/2020 Killinger

D895,315 S \* 9/2020 Joutras ..... D6/377  
 D895,995 S 9/2020 Killinger  
 D897,128 S 9/2020 Killinger

OTHER PUBLICATIONS

West Elm Work Belle [online], [site visited Aug. 10, 2021]. Available from internet, URL: <<https://cdn2.hubspot.net/hubfs/7301429/Interiors%20Sales%20Documents/Ancillary/West%20Elm%20Work%20Belle.pdf>> (Year: 2021).\*

Langham Channel Tufted 4 Piece Modular Sectional Sofa [online], [site visited Aug. 10, 2021]. Available from internet, URL: <<https://www.houzz.com/products/langham-channel-tufted-4-piece-modular-sectional-sofa-123-prvw-vr~121796067>> (Year: 2021).\*

1960s Mid-Century Modern Serpentine Milo Baughman Modular Sectional Sofa [online], [site visited Aug. 10, 2021]. Available from internet, URL: <<https://www.chairish.com/product/2907170/1960s-mid-century-modern-serpentine-milo-baughman-modular-sectional-sofa-in-gray>> (Year: 2021).\*

\* cited by examiner

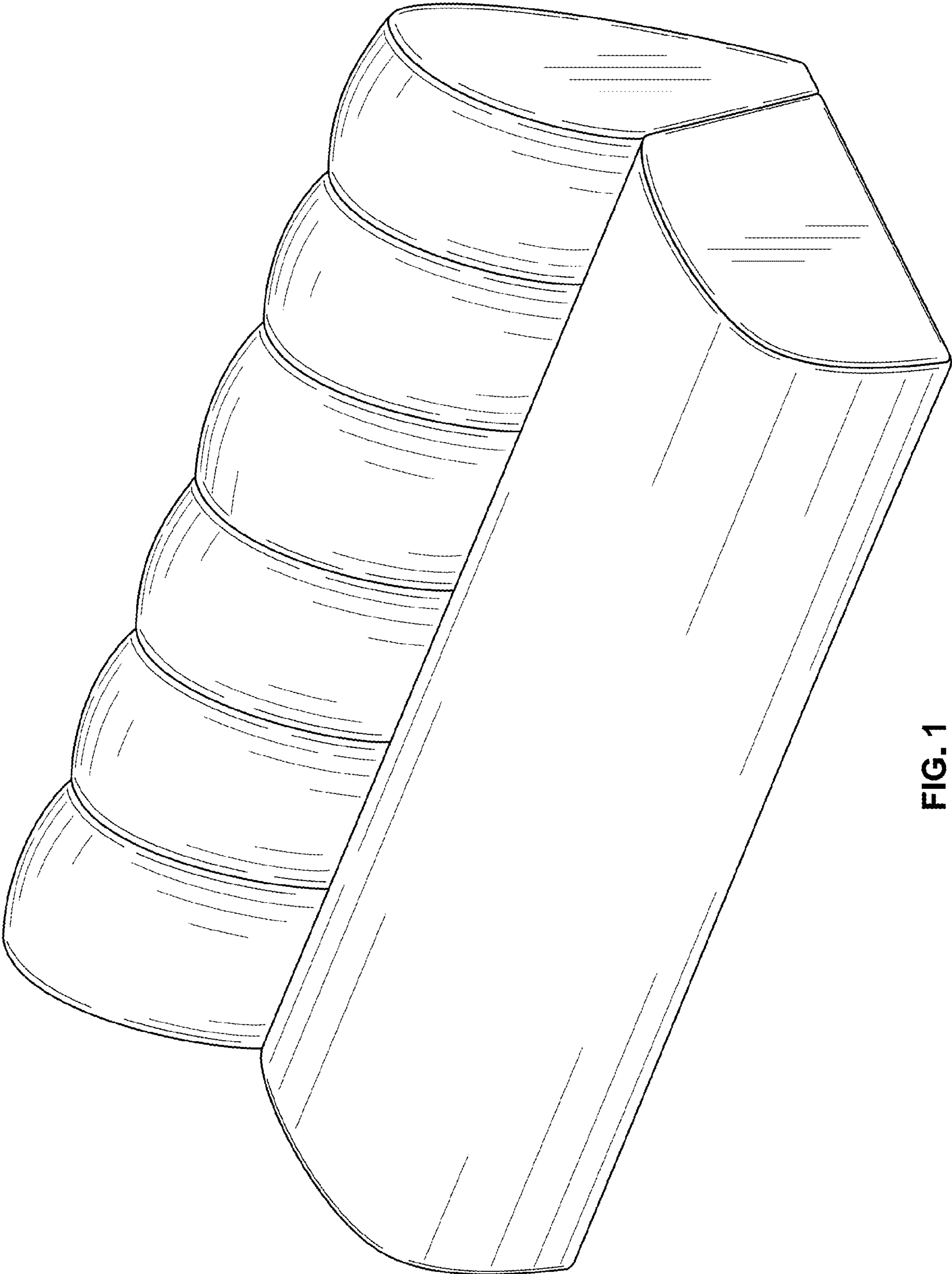


FIG. 1

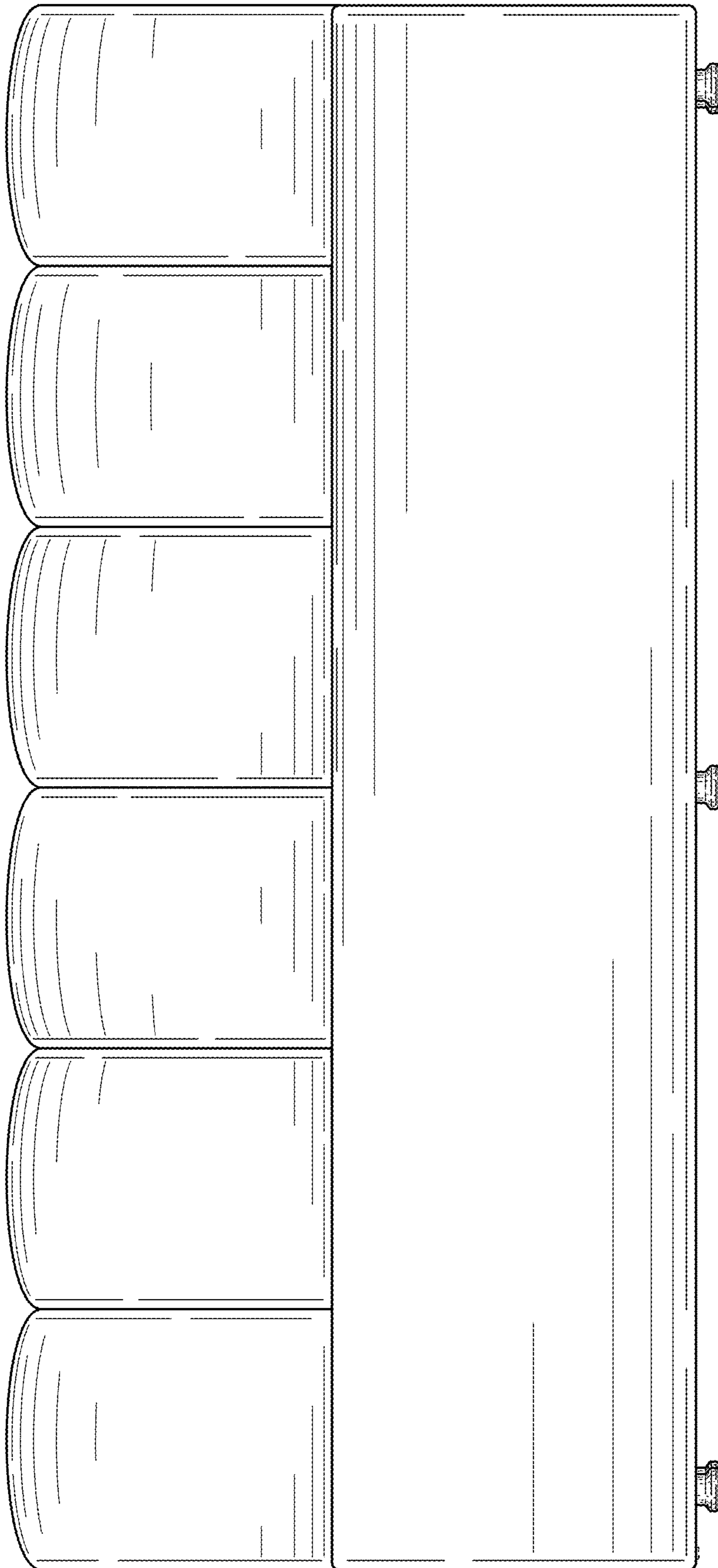


FIG. 2

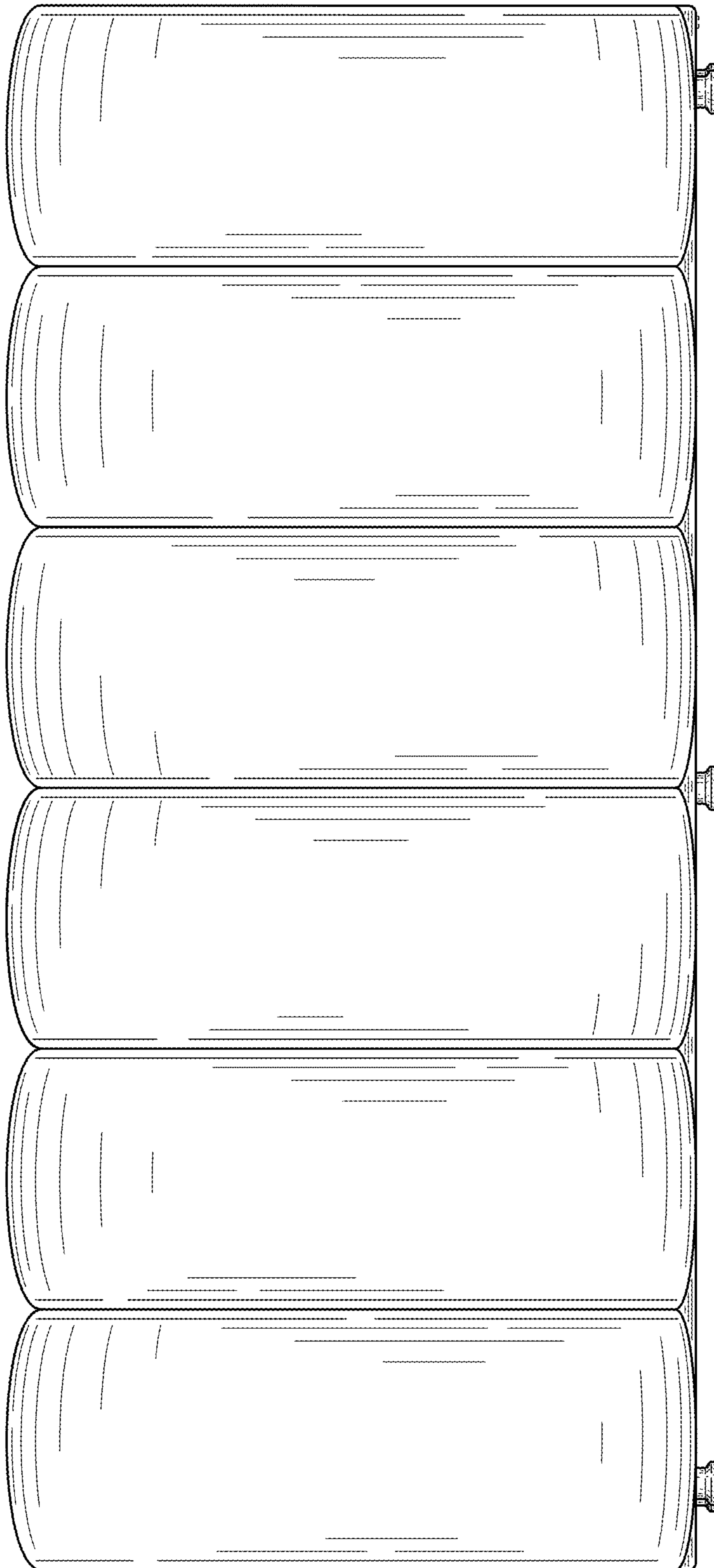


FIG. 3

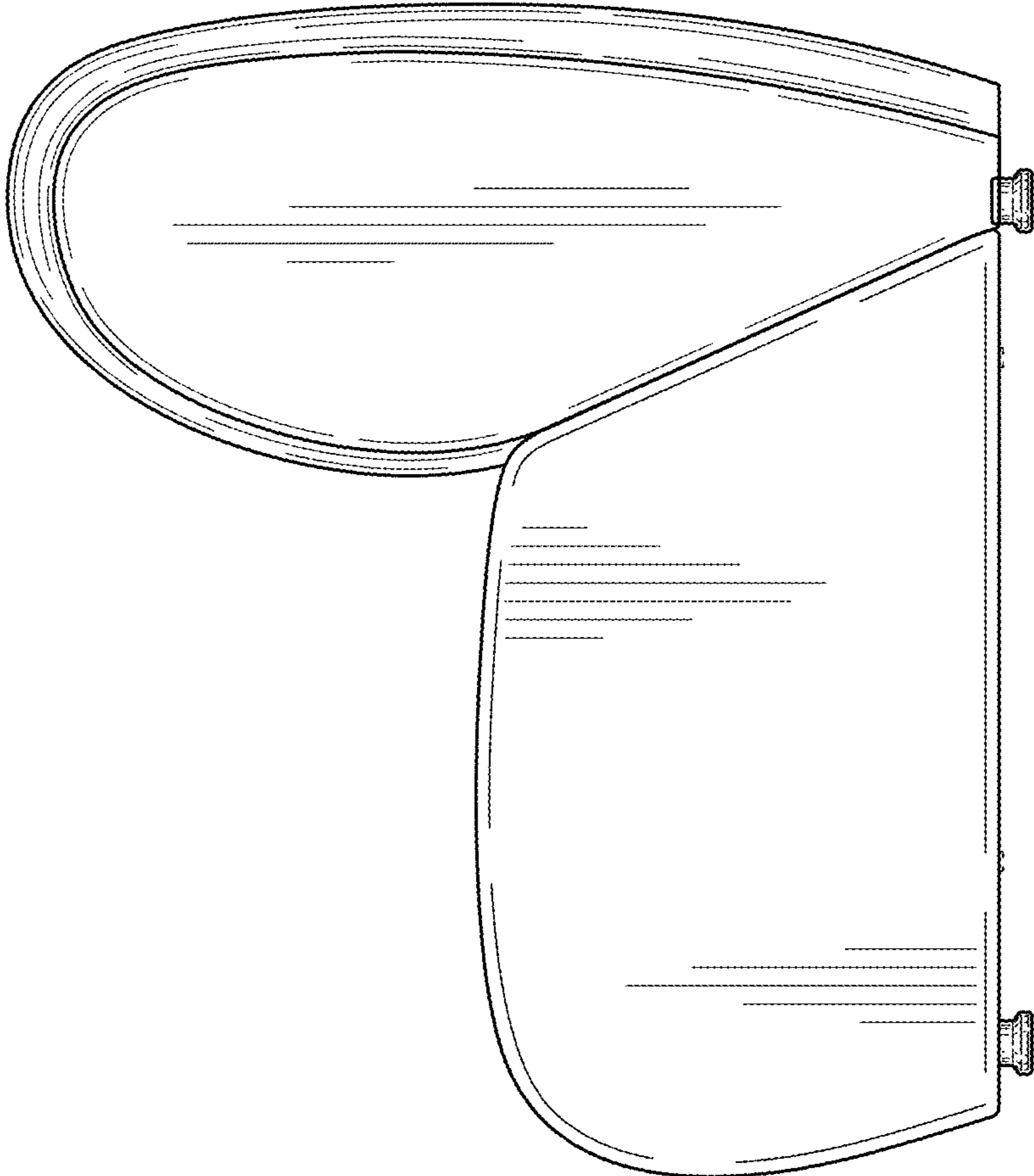


FIG. 4

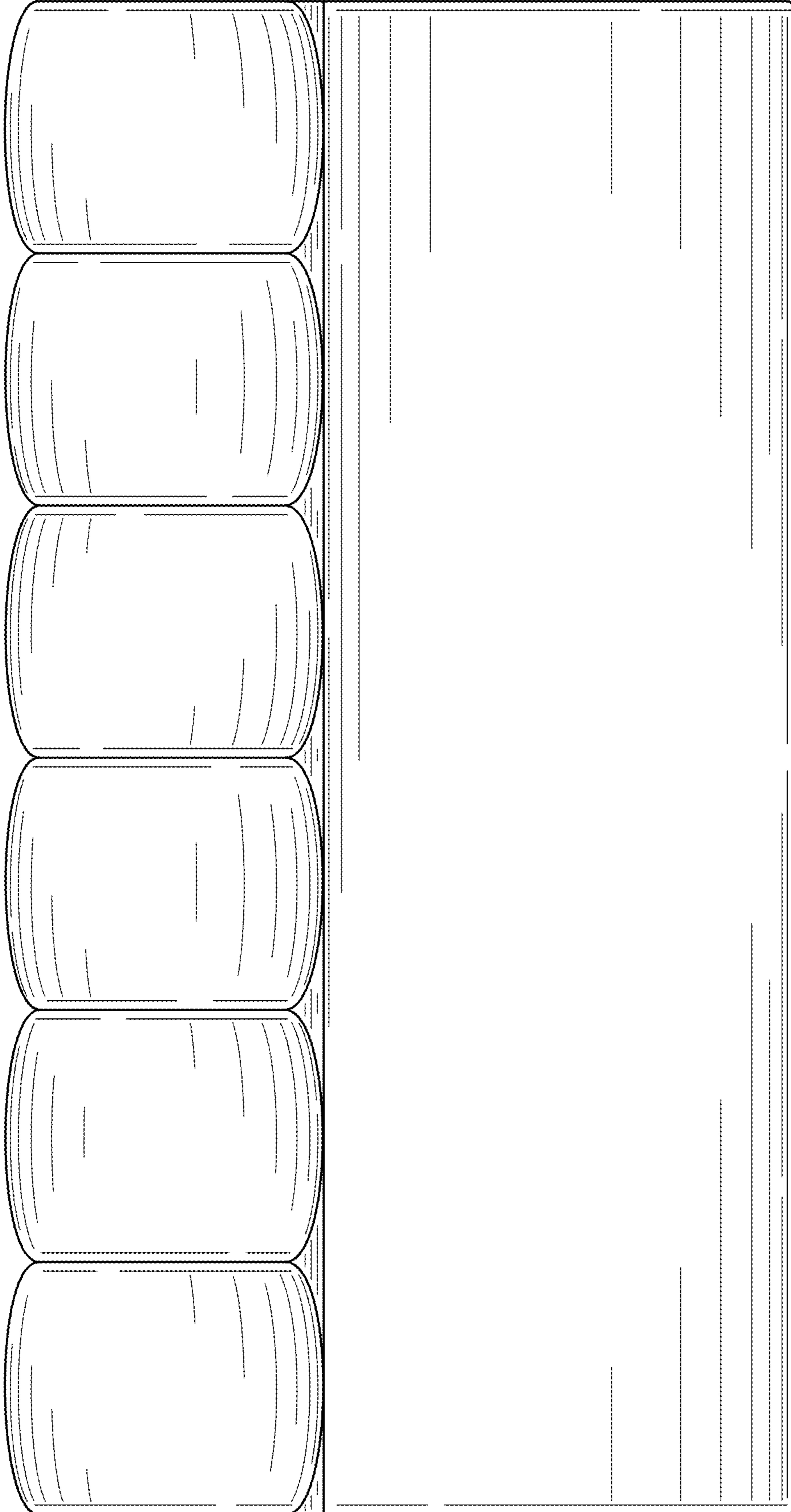


FIG. 5

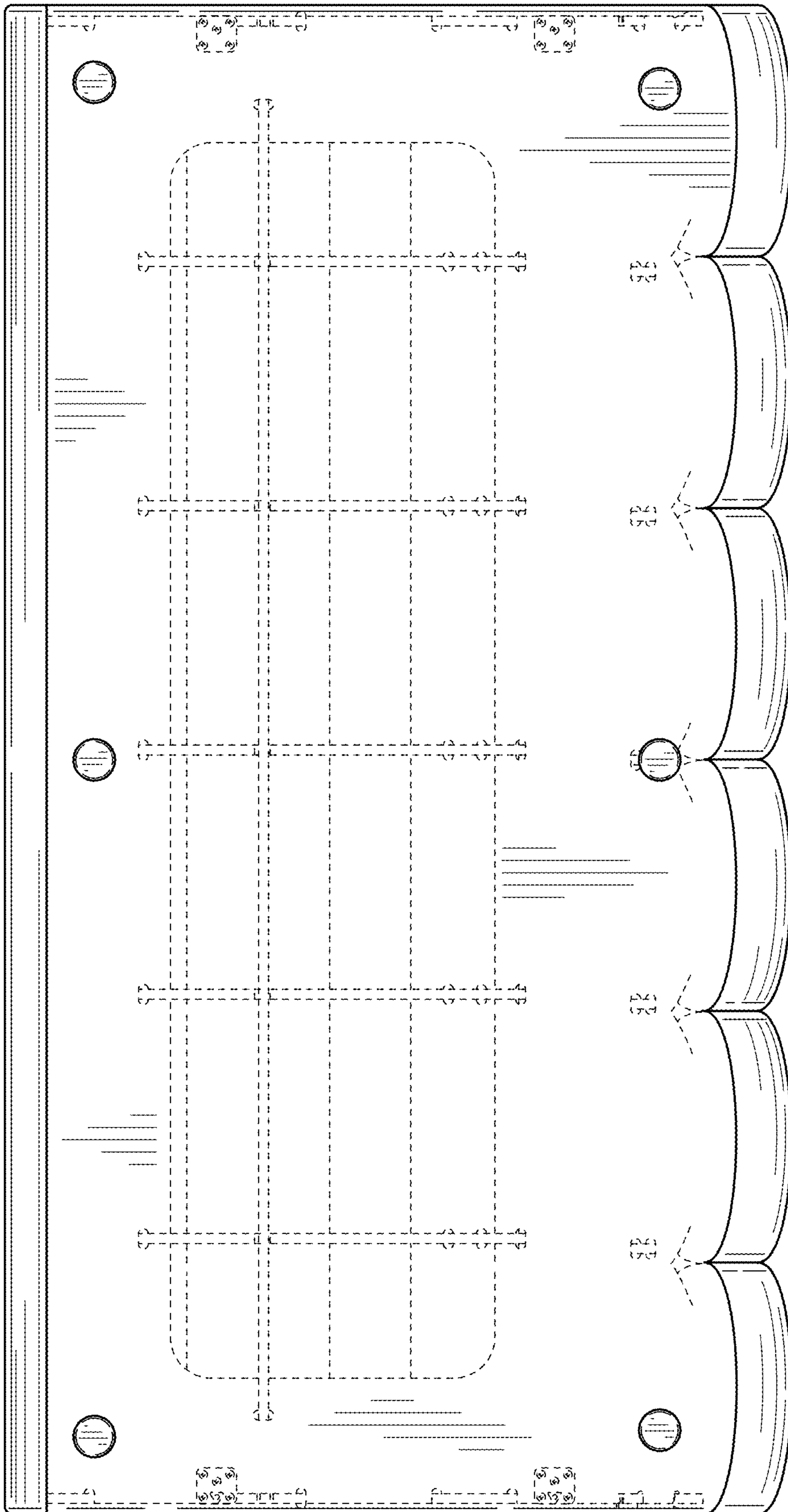


FIG. 6





FIG. 7



FIG. 8

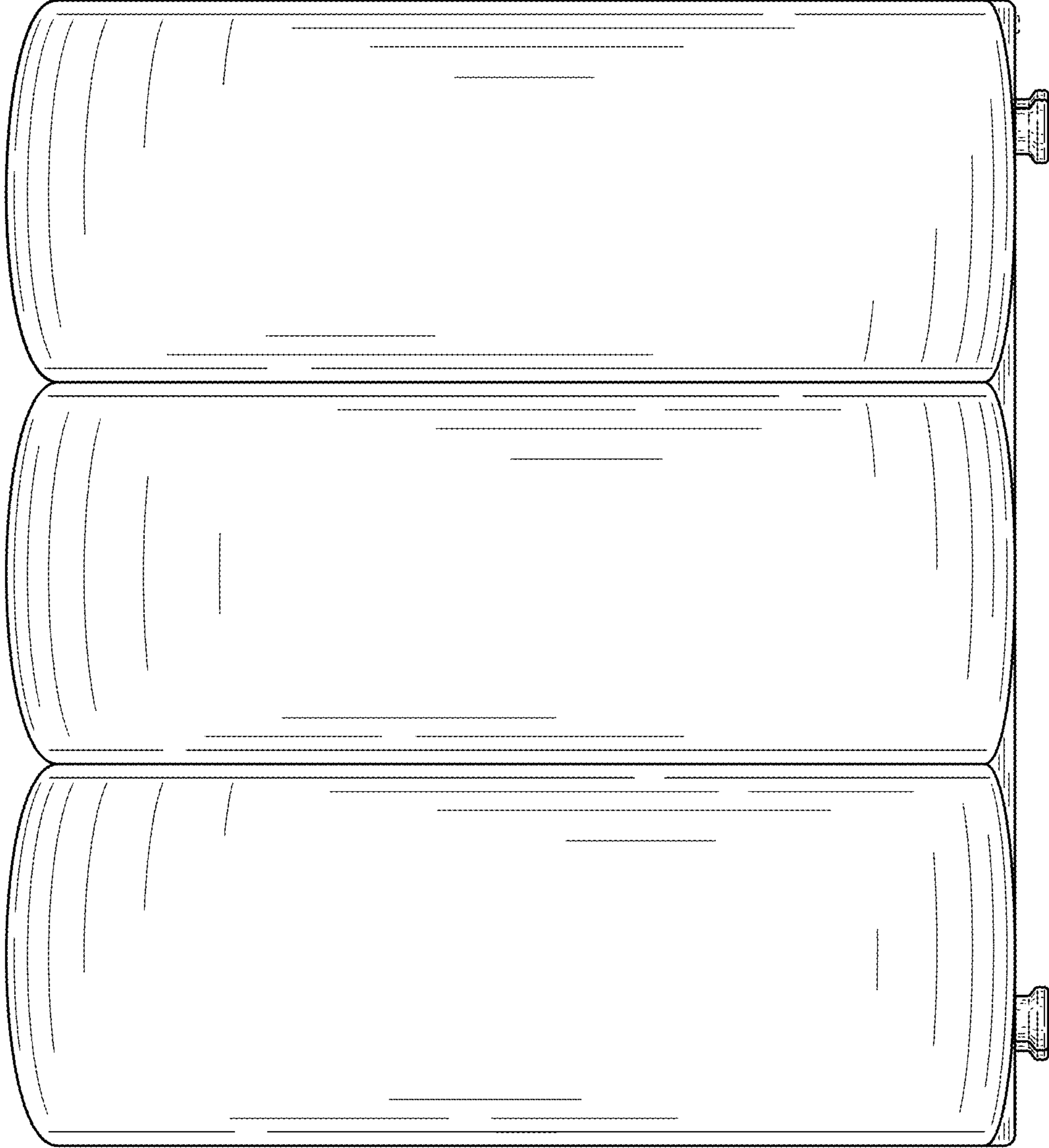


FIG. 9

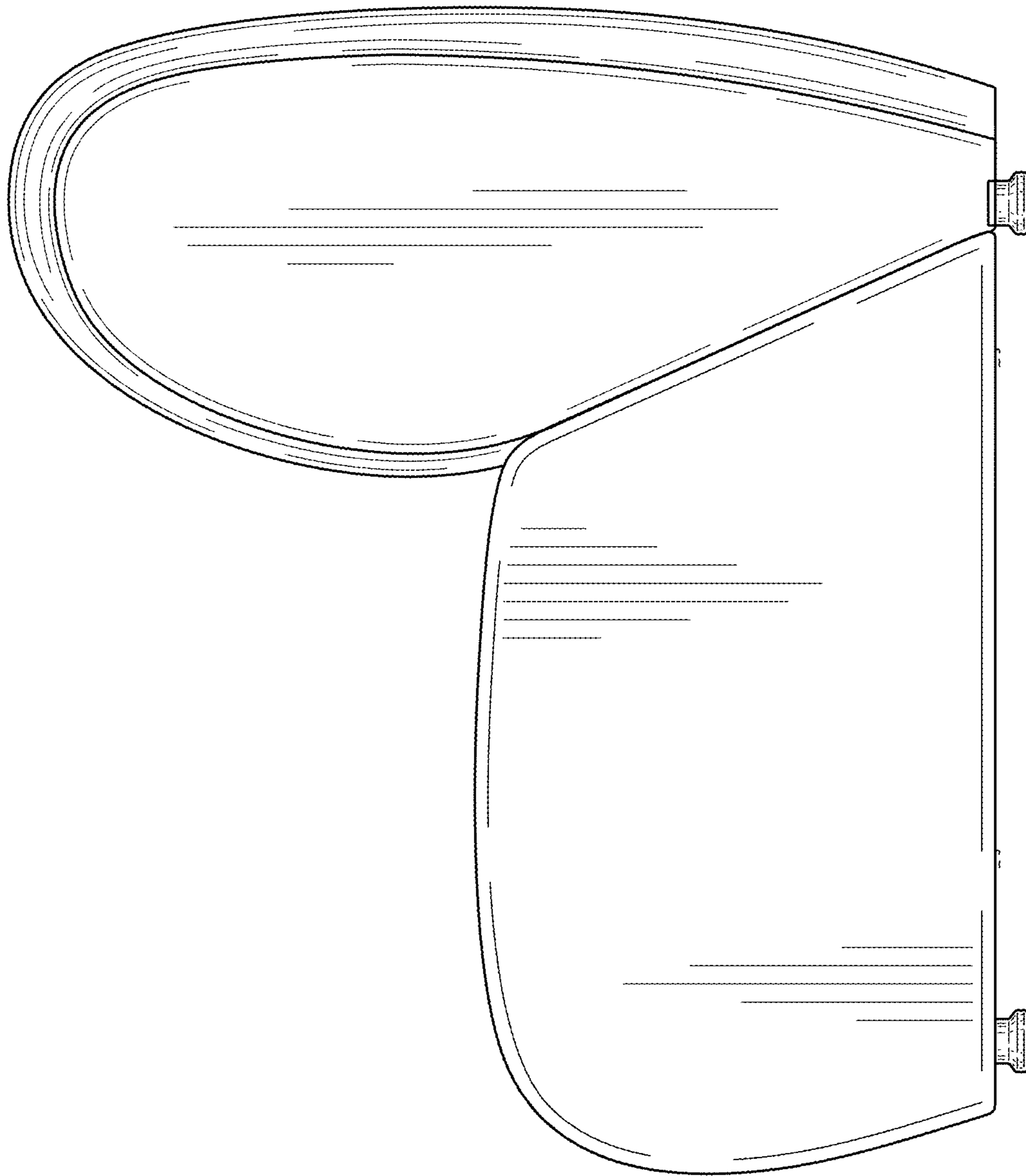


FIG. 10

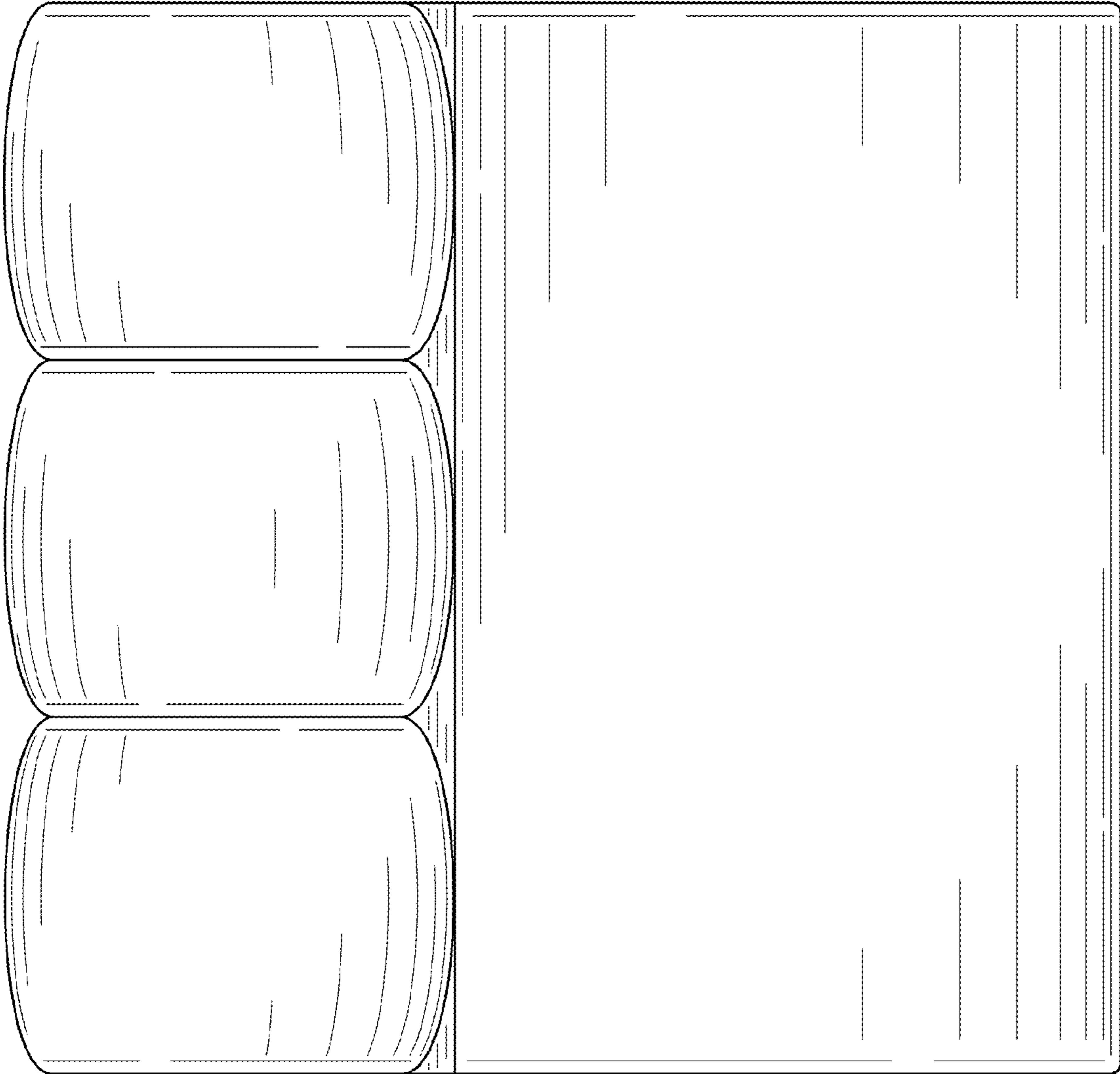


FIG. 11

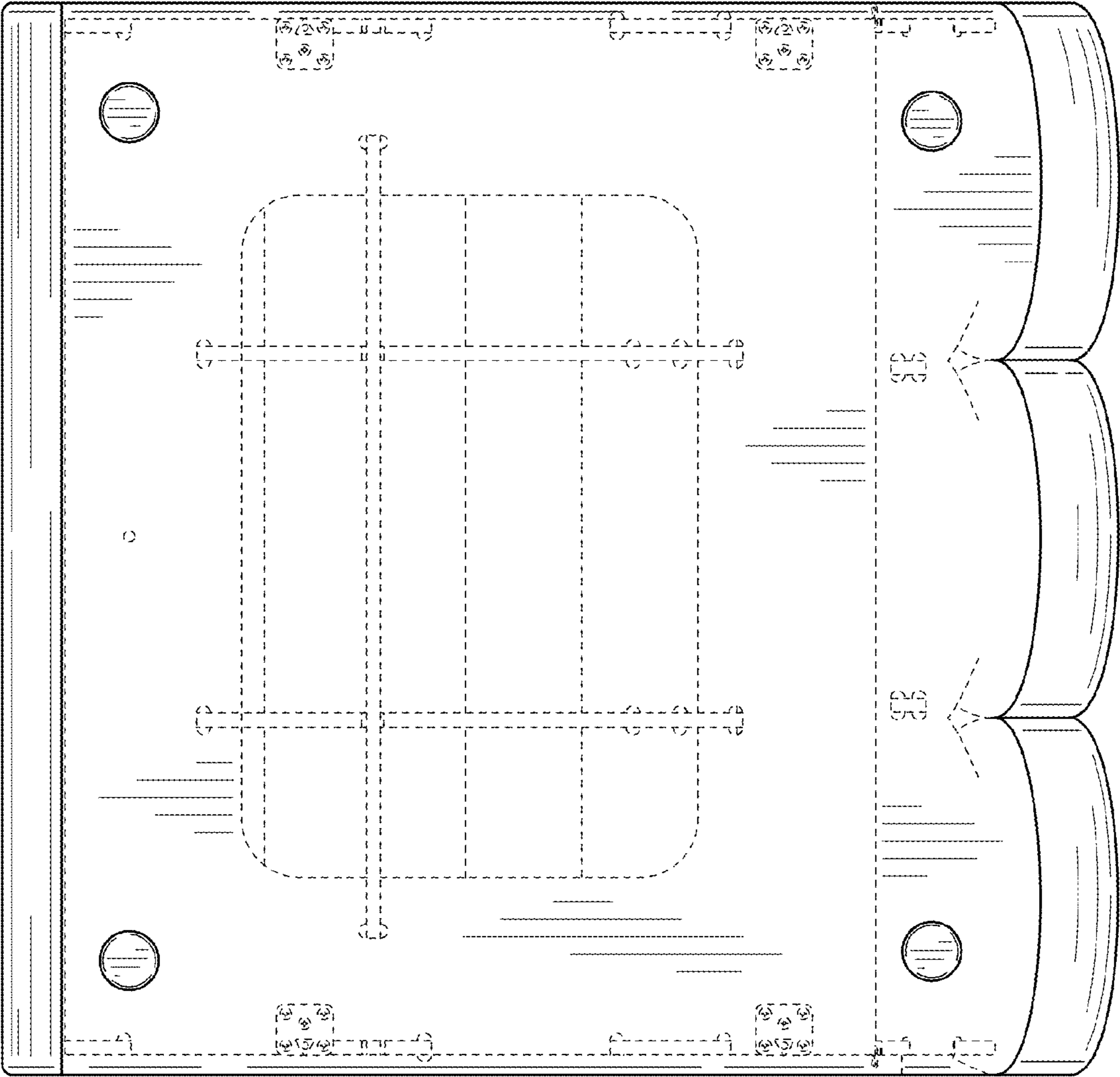


FIG. 12