



US00D930999S

(12) **United States Design Patent** (10) **Patent No.:** **US D930,999 S**
Chung (45) **Date of Patent:** **** Sep. 21, 2021**

(54) **CLOTHES HANGER** 4,346,825 A * 8/1982 Leger A47G 25/28
211/113
(71) Applicant: **Han Ah Chung**, Seoul (KR) D271,552 S * 11/1983 Samuels D6/319
4,932,571 A * 6/1990 Blanchard A47G 25/16
(72) Inventor: **Han Ah Chung**, Seoul (KR) 4,978,043 A * 12/1990 Uke A47G 25/16
211/113
(**) Term: **15 Years** D323,072 S * 1/1992 Anderson D6/315
D324,781 S * 3/1992 Uke D6/315
(21) Appl. No.: **35/509,486** 5,163,590 A * 11/1992 Lawler A47G 25/16
223/69
(22) Filed: **Jul. 29, 2019** D342,612 S * 12/1993 McIntyre D6/315
D353,491 S * 12/1994 Van Keuren, III D6/315
(80) **Hague Agreement Data** (Continued)

Int. Filing Date: **Jul. 29, 2019**
Int. Reg. No.: **DM/208295**
Int. Reg. Date: **Jul. 29, 2019**
Int. Reg. Pub. Date: **May 29, 2020**

(51) **LOC (13) Cl.** **06-08**
(52) **U.S. Cl.**
USPC **D6/315**
(58) **Field of Classification Search**
USPC D6/315, 317, 318, 319, 320, 323, 327
CPC A47G 25/14; A47G 25/1485; A47G
25/1492; A47G 25/16; A47G 25/18;
A47G 25/28; A47G 25/34; A47G 25/36;
A47G 25/74

See application file for complete search history.

(56) **References Cited**
U.S. PATENT DOCUMENTS

D34,224 S * 3/1901 De Blois et al. D6/317
2,499,538 A * 3/1950 Stanton A47G 25/34
223/88
D162,261 S * 2/1951 Tuma et al. D6/317
D173,676 S * 12/1954 Perrin et al. D6/317
2,777,582 A * 1/1957 Van Dusen A47G 25/743
211/119
D191,698 S * 11/1961 Krause et al. D8/370
D207,515 S * 4/1967 Phillips et al. D6/319
D229,001 S * 11/1973 Wahl et al. D6/317
D242,414 S * 11/1976 Salladay et al. D6/315
4,109,838 A * 8/1978 Dwek A47G 25/20
223/91

OTHER PUBLICATIONS

Salome Idea 3PCS Multi-Purpose Cloth Rack, amazon.com, <https://www.amazon.com/3PCS-Multi-Purpose-Cloth-Hanger-White/dp/B01BEUKHPM?th=1> (Year: 2021).*

Primary Examiner — Steven J Czyz

(57) **CLAIM**

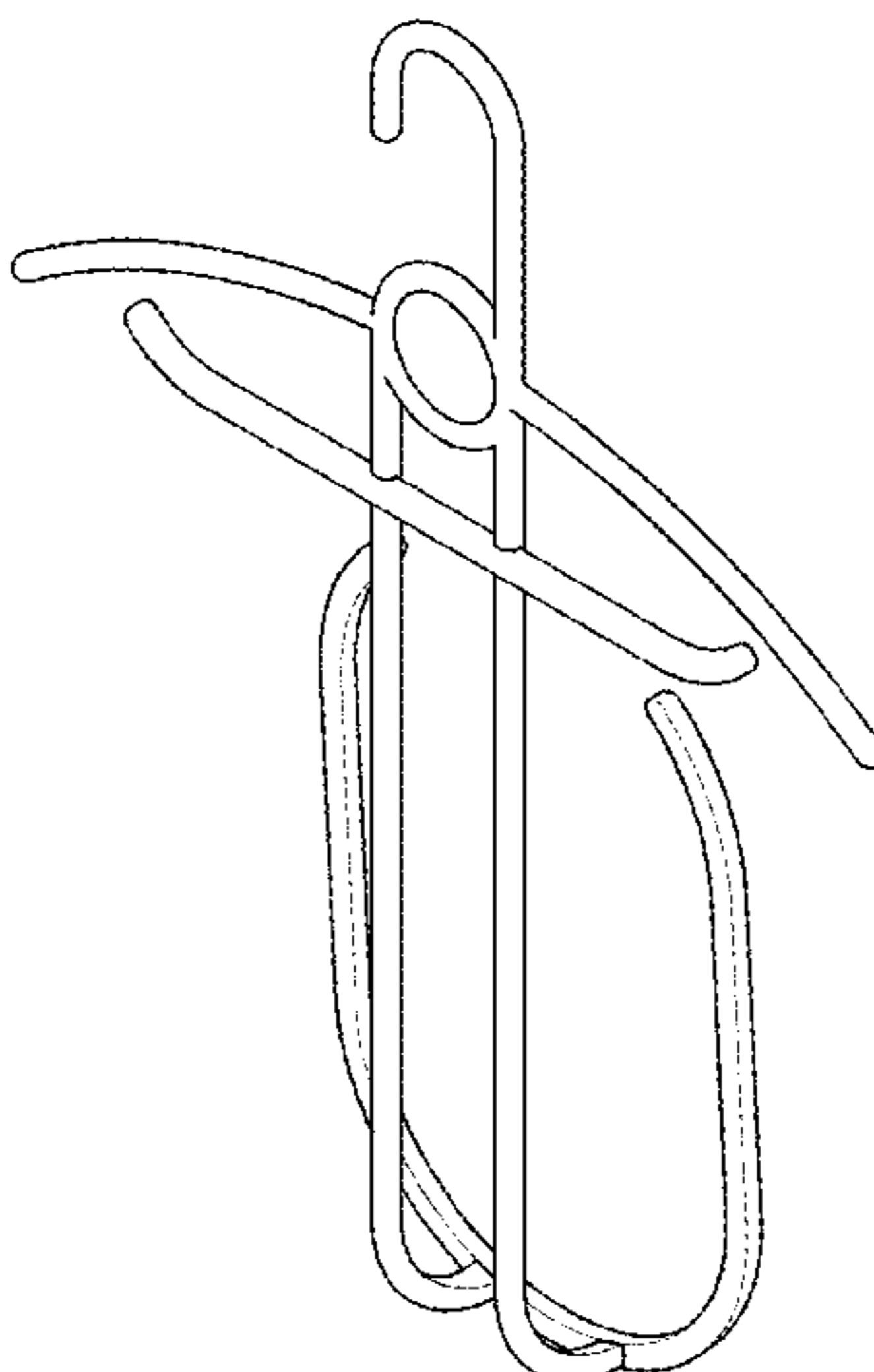
The ornamental design for a clothes hanger, as shown and described.

DESCRIPTION

- 1. Clothes hanger
- 1.1 : Perspective
- 1.2 : Front
- 1.3 : Back
- 1.4 : Top
- 1.5 : Bottom
- 1.6 : Left
- 1.7 : Right

The design is clothes hanger shown by views including: view 1.1 is a perspective view of clothes hanger, view 1.2 is a front view thereof, view 1.3 is a rear view thereof, view 1.4 is a top view thereof, view 1.5 is a bottom view thereof, view 1.6 is a left side view thereof, and view 1.7 is a right side view of a thereof.

1 Claim, 7 Drawing Sheets



(56)

References Cited

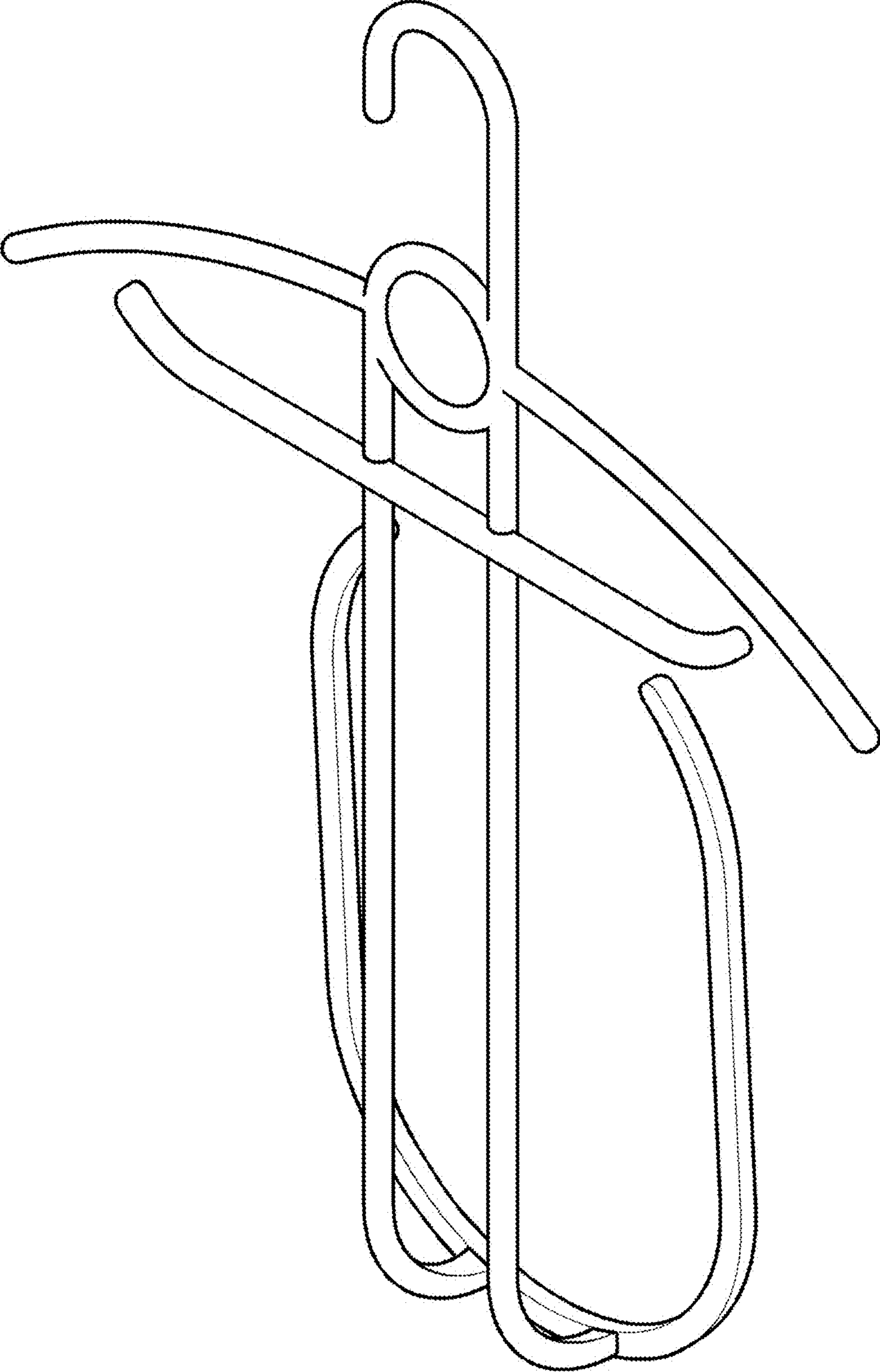
U.S. PATENT DOCUMENTS

5,664,709 A * 9/1997 Graham A47G 25/16
223/85
D387,911 S * 12/1997 Albert D6/317
D389,324 S * 1/1998 Chiasson D6/315
6,000,588 A * 12/1999 Kolton A47G 25/488
223/88
D428,711 S * 8/2000 Rowley D6/317
6,170,679 B1 * 1/2001 Frye A47F 7/10
211/113
D454,006 S * 3/2002 Gouldson D6/315
D486,309 S * 2/2004 Abdi D6/315
6,915,931 B2 * 7/2005 Gouldson A47G 25/16
223/85
D531,418 S * 11/2006 Williams D6/326
7,611,034 B1 * 11/2009 Peterson A47G 25/743
223/88
D621,626 S * 8/2010 Beer D6/317
D707,455 S * 6/2014 Goodman D6/317
D710,620 S * 8/2014 Staton D6/315

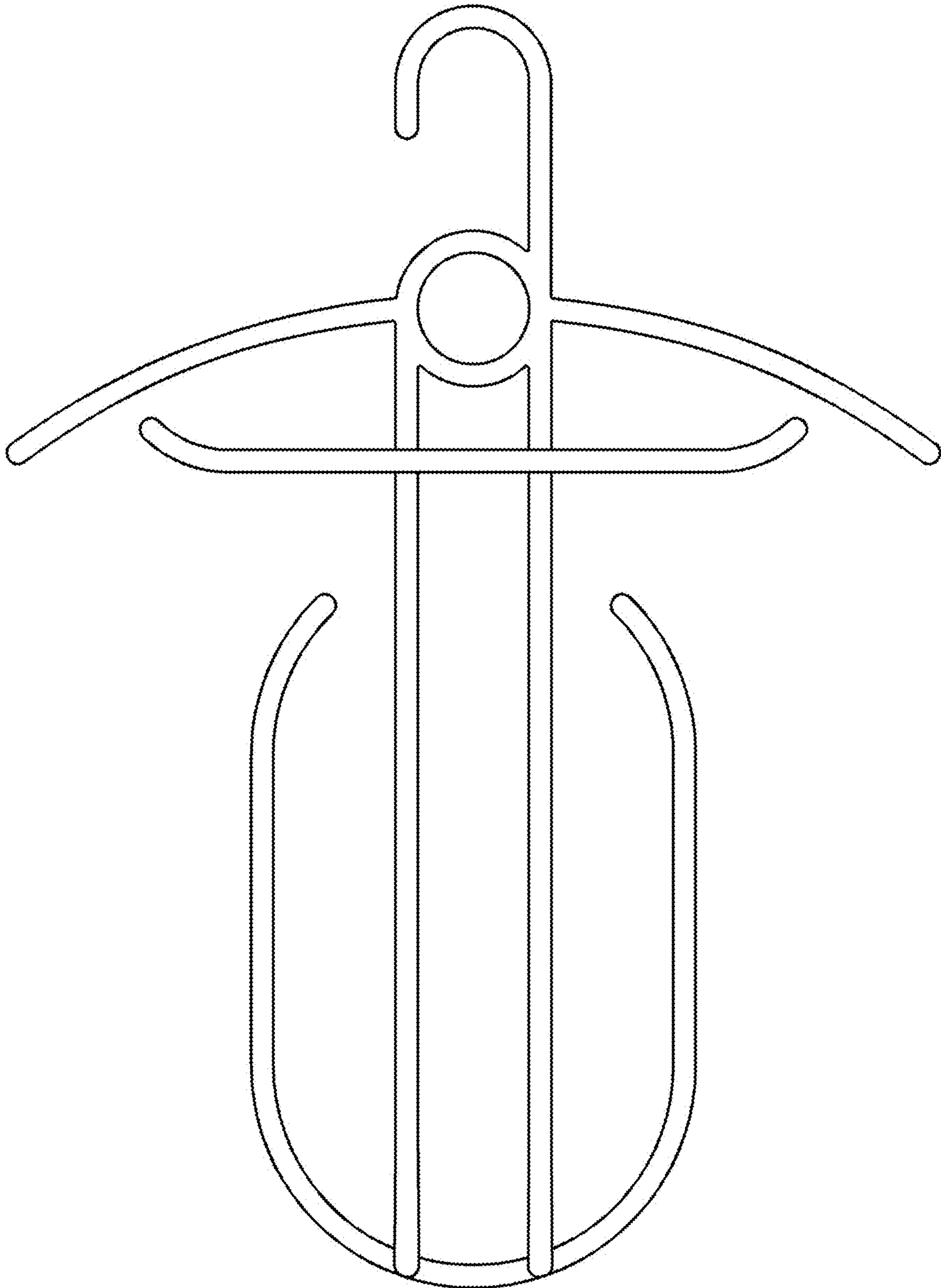
D720,545 S * 1/2015 Kilpatrick D6/317
9,138,092 B2 * 9/2015 Wright A47G 25/005
D759,982 S * 6/2016 Berger D6/317
D772,585 S * 11/2016 Leigh D6/319
9,510,702 B2 * 12/2016 Yau A47G 25/1435
9,786,258 B2 * 10/2017 Keller A47G 25/28
D804,197 S * 12/2017 Segasby A47G 25/1435
D6/315
D806,403 S * 1/2018 Clores A47G 25/16
D6/317
D830,707 S * 10/2018 Tsai A47F 7/10
D6/317
10,426,283 B2 * 10/2019 Karelis A47G 25/16
D867,769 S * 11/2019 Wright A47G 25/16
D6/315
D893,893 S * 8/2020 Yau D6/319
D905,450 S * 12/2020 Harding A47G 25/16
D6/315
2006/0011670 A1 * 1/2006 Pluchino A47G 25/48
223/85
2013/0087587 A1 * 4/2013 Hickey A47G 25/18
223/88

* cited by examiner

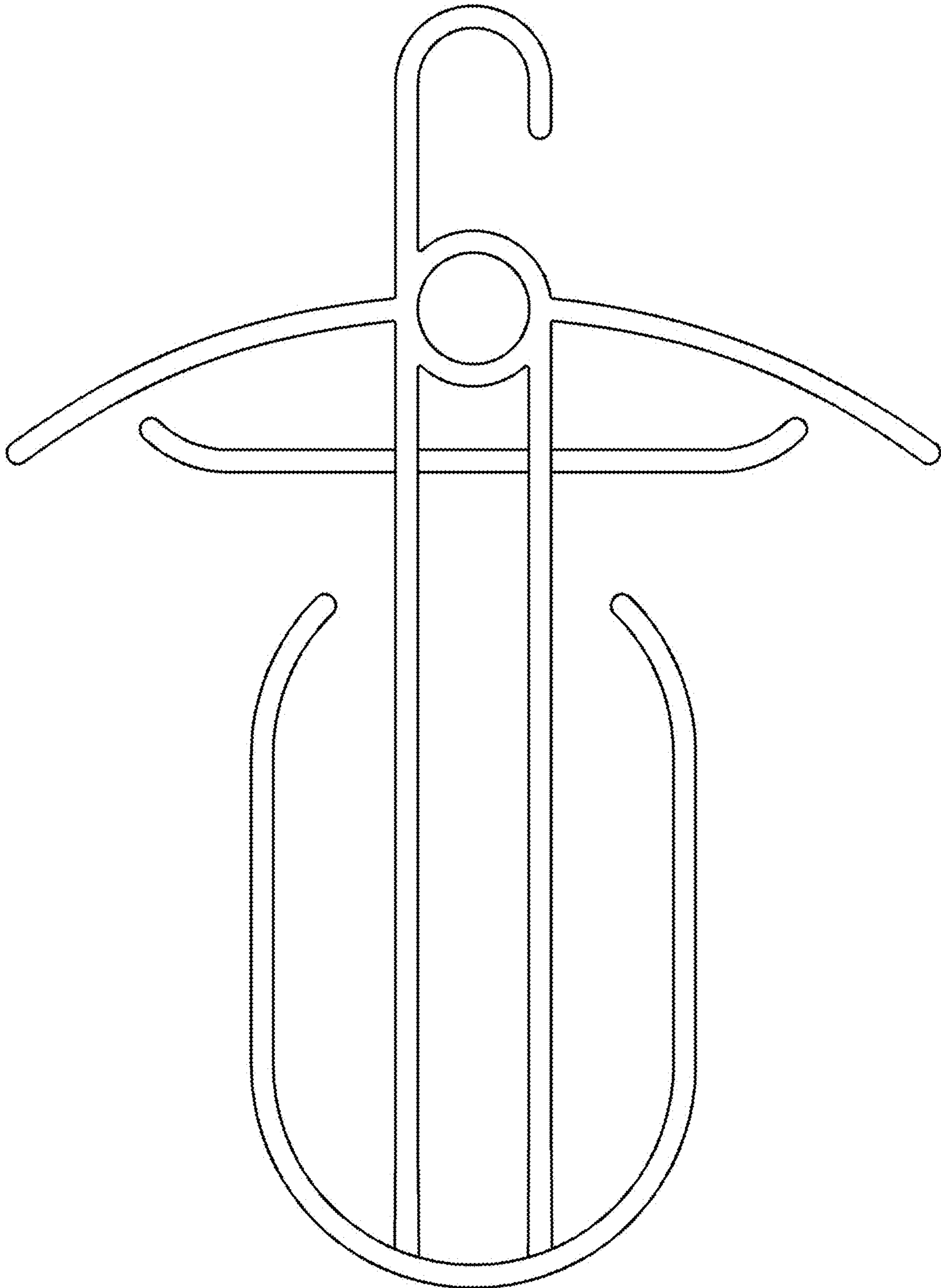
1.1

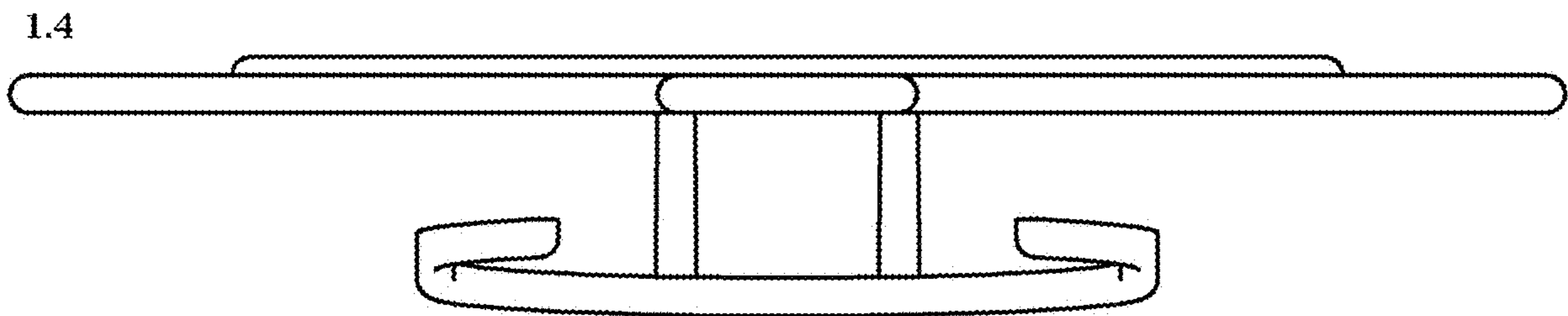


1.2

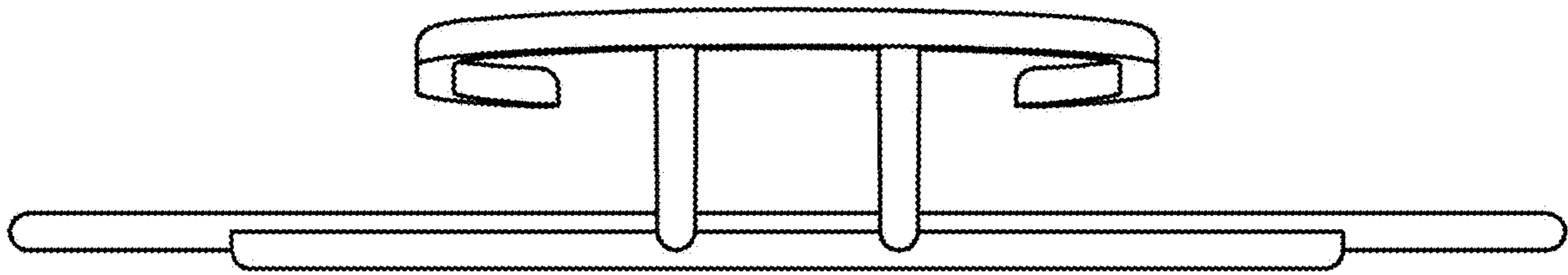


1.3





1.5



1.6

