



US00D930997S

(12) **United States Design Patent**
Li

(10) **Patent No.:** **US D930,997 S**

(45) **Date of Patent:** **** Sep. 21, 2021**

(54) **PORTABLE READING STAND**

(71) Applicant: **Yong Li**, Hubei (CN)

(72) Inventor: **Yong Li**, Hubei (CN)

(**) Term: **15 Years**

(21) Appl. No.: **29/671,195**

(22) Filed: **Nov. 25, 2018**

(51) **LOC (13) Cl.** **19-99**

(52) **U.S. Cl.**
USPC **D6/300**; D19/91

(58) **Field of Classification Search**
USPC D6/300-314; D19/90, 91
CPC A47B 23/042; A47B 23/043
See application file for complete search history.

(56) **References Cited**

U.S. PATENT DOCUMENTS

- D196,591 S * 10/1963 La Falce D6/300
- D259,879 S * 7/1981 Pearl D14/254
- 5,120,014 A * 6/1992 Chou B42D 9/00
248/451
- 5,582,382 A * 12/1996 Pan-Yang A47B 23/043
248/456
- D385,717 S * 11/1997 Howell D19/91
- D388,263 S * 12/1997 Amerault D19/88
- 5,720,466 A * 2/1998 Skipper A47B 23/044
248/460
- 5,810,316 A * 9/1998 Eby A47B 23/043
248/451
- D435,360 S * 12/2000 Gentile D6/310

- 6,196,512 B1 * 3/2001 Ure A47B 23/043
248/441.1
- 6,237,887 B1 * 5/2001 Banner A47B 23/004
248/459
- D603,171 S * 11/2009 Chang D6/312
- 7,758,009 B1 * 7/2010 Chang A47B 23/044
248/460
- 7,770,864 B2 * 8/2010 Phifer A47B 23/043
248/455
- D743,485 S * 11/2015 Gordon D19/91
- D878,461 S * 3/2020 Jung D19/91

FOREIGN PATENT DOCUMENTS

- CN 305792640 * 5/2020
- CN 306413651 * 3/2021

* cited by examiner

Primary Examiner — Deanna L Pratt

(74) *Attorney, Agent, or Firm* — Rumit Ranjit Kanakia

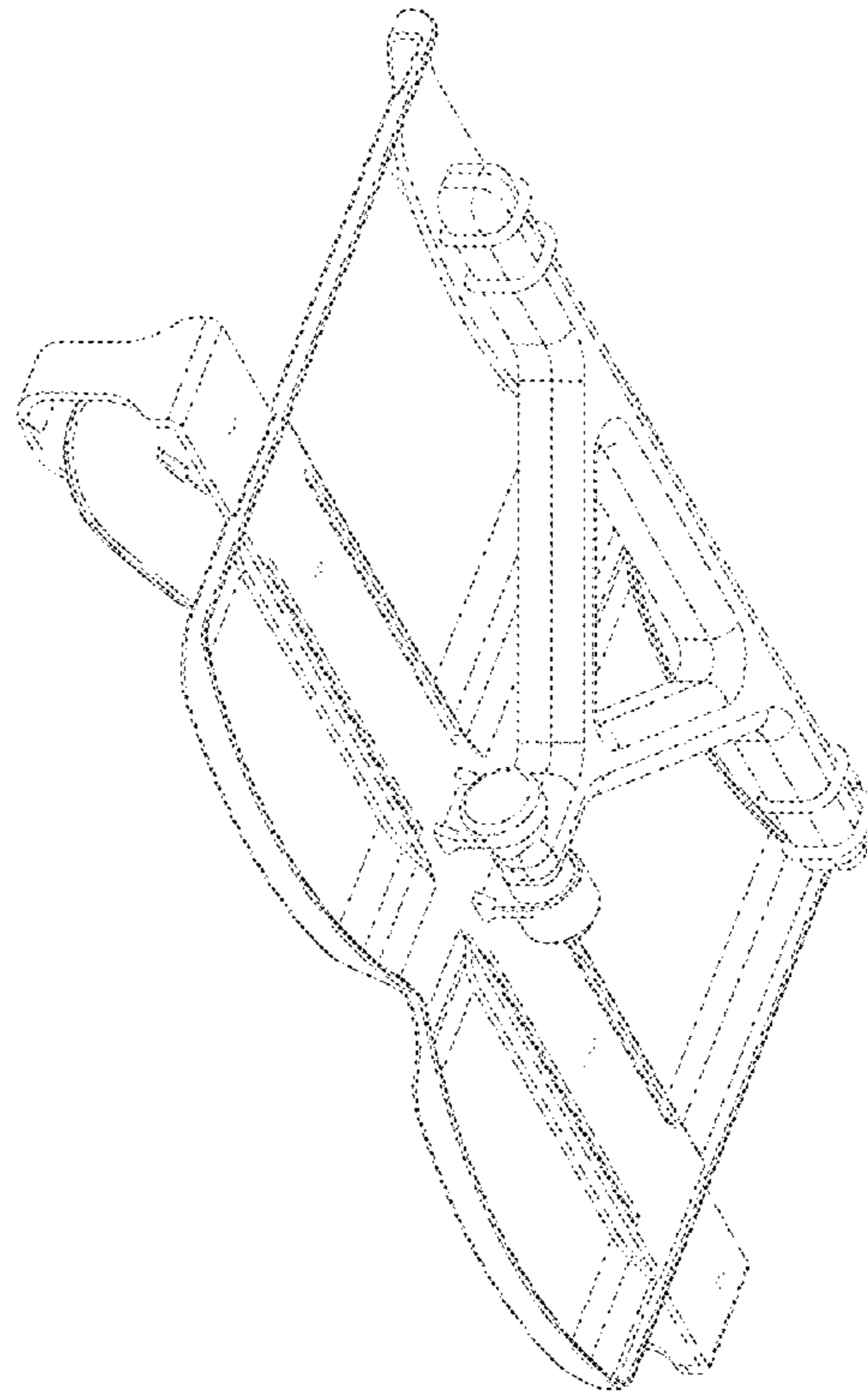
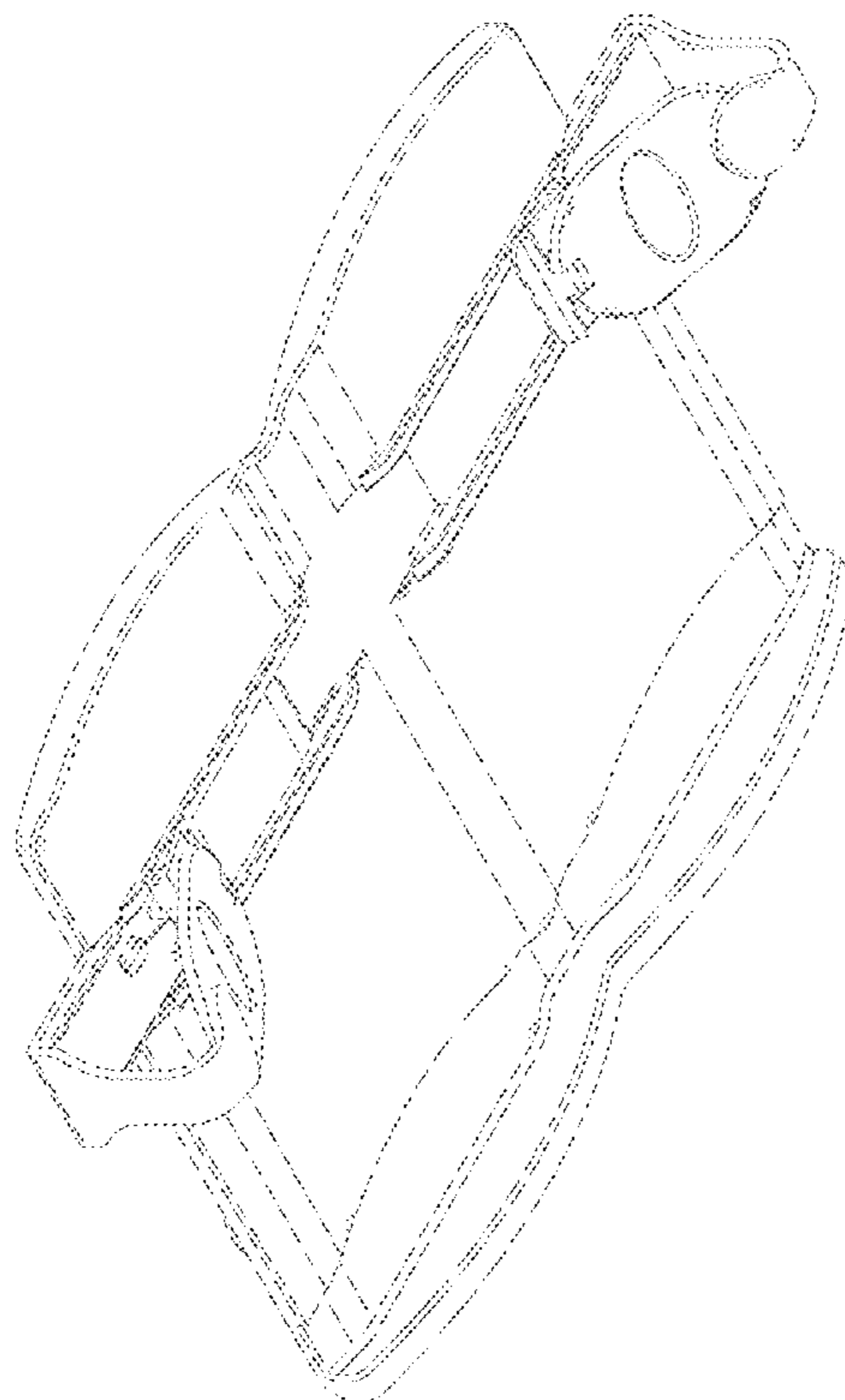
(57) **CLAIM**

The ornamental design for a portable reading stand, as shown and described.

DESCRIPTION

FIG. 1 is a front elevational view of a portable reading stand;
 FIG. 2 is a back side elevational view thereof;
 FIG. 3 is a top view thereof.
 FIG. 4 is a bottom view thereof.
 FIG. 5 is a left view thereof.
 FIG. 6 is a right view thereof.
 FIG. 7 is a Left rear side view thereof; and,
 FIG. 8 is a right rear side view thereof.

1 Claim, 8 Drawing Sheets



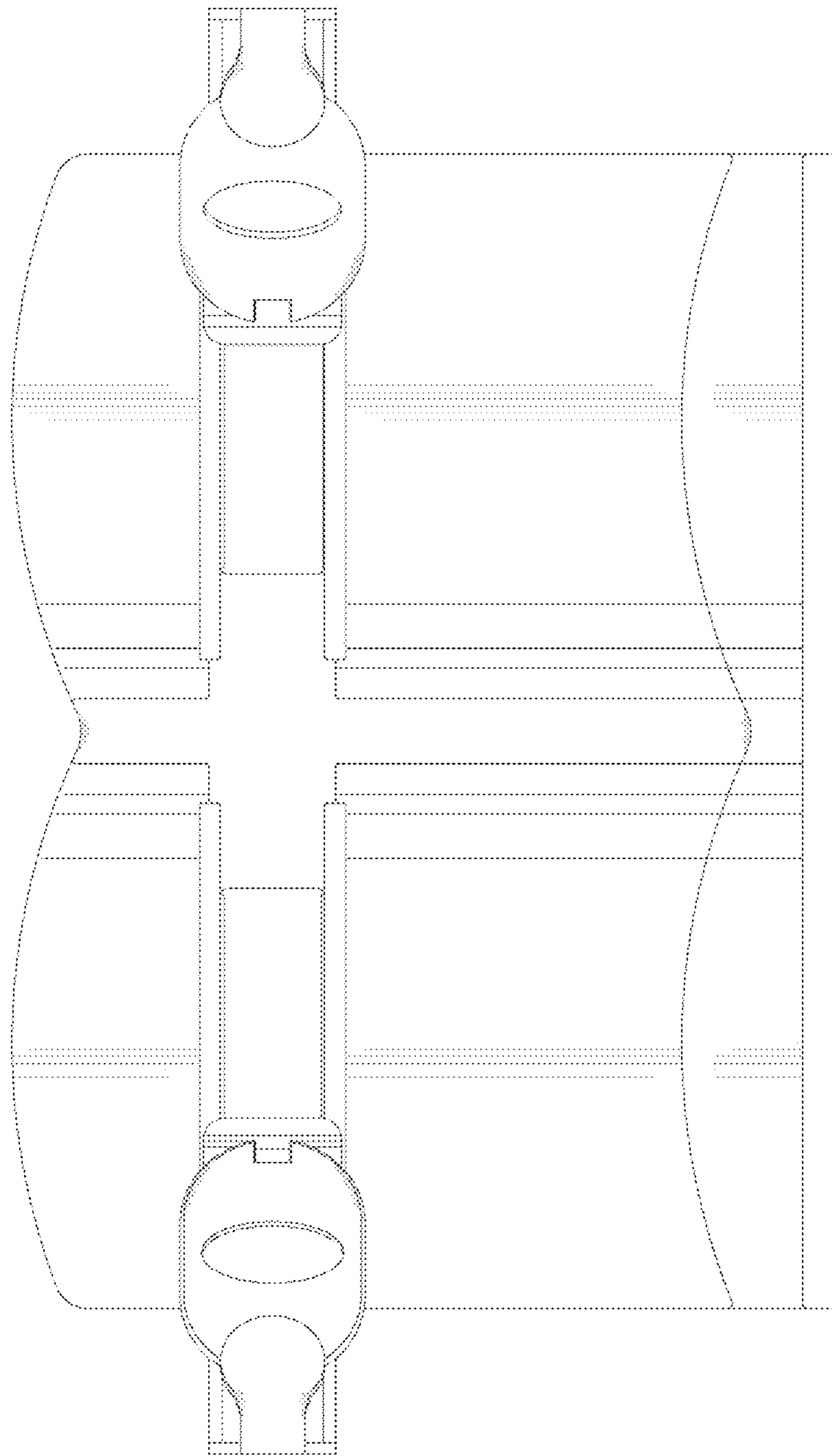


Fig. 1

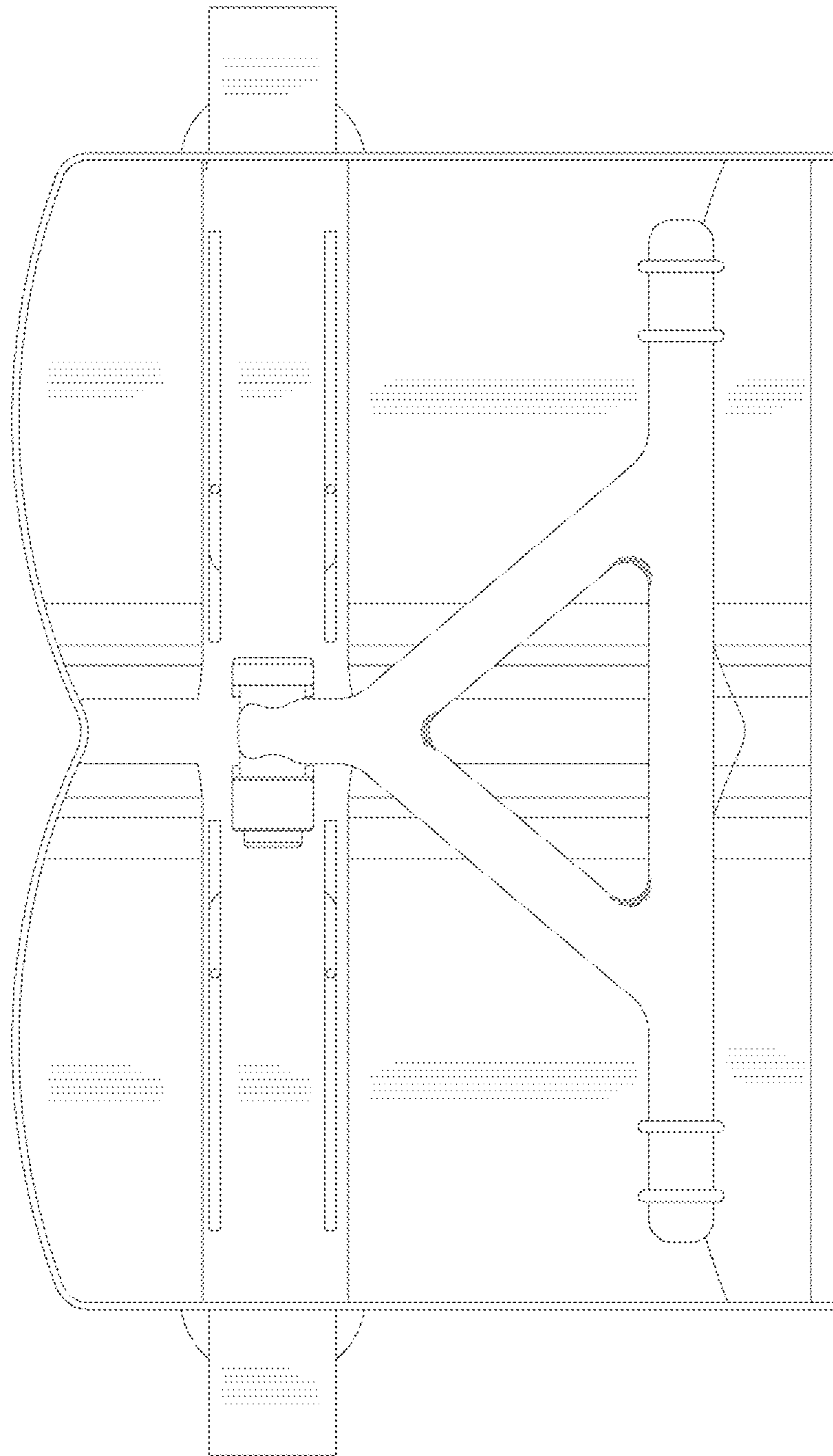


Fig. 2

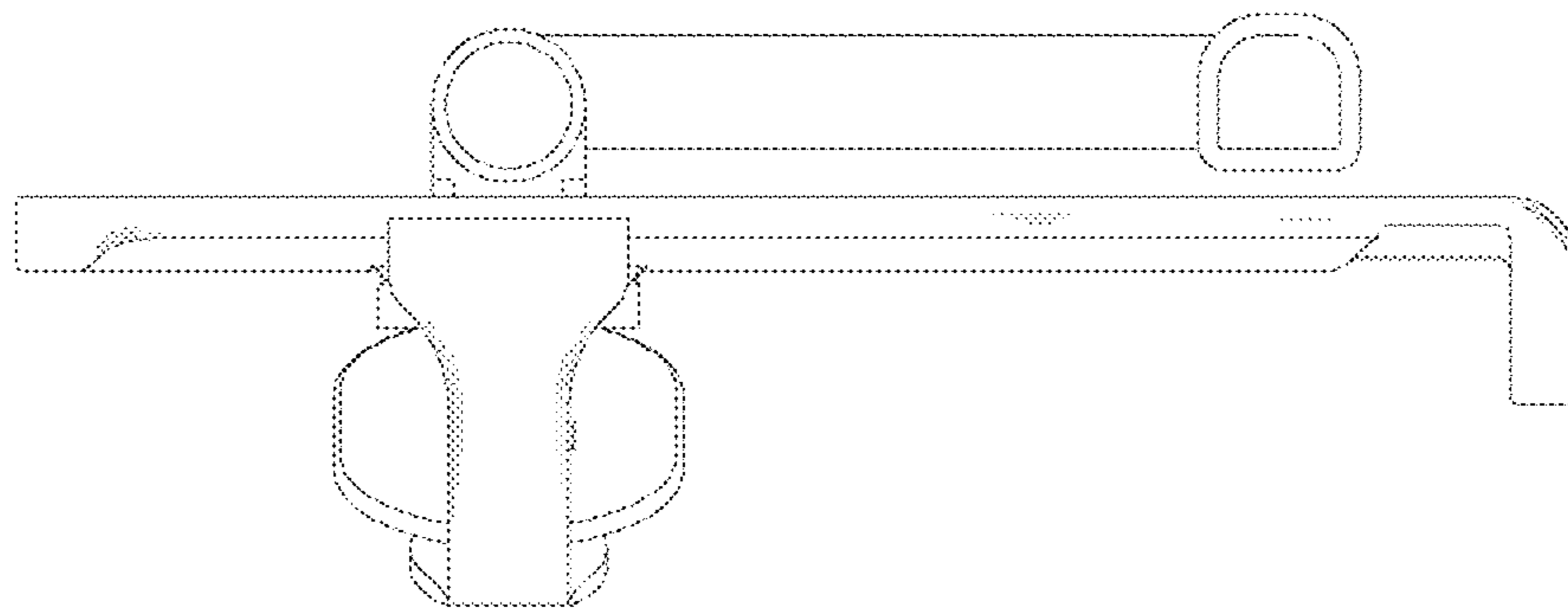


Fig. 3

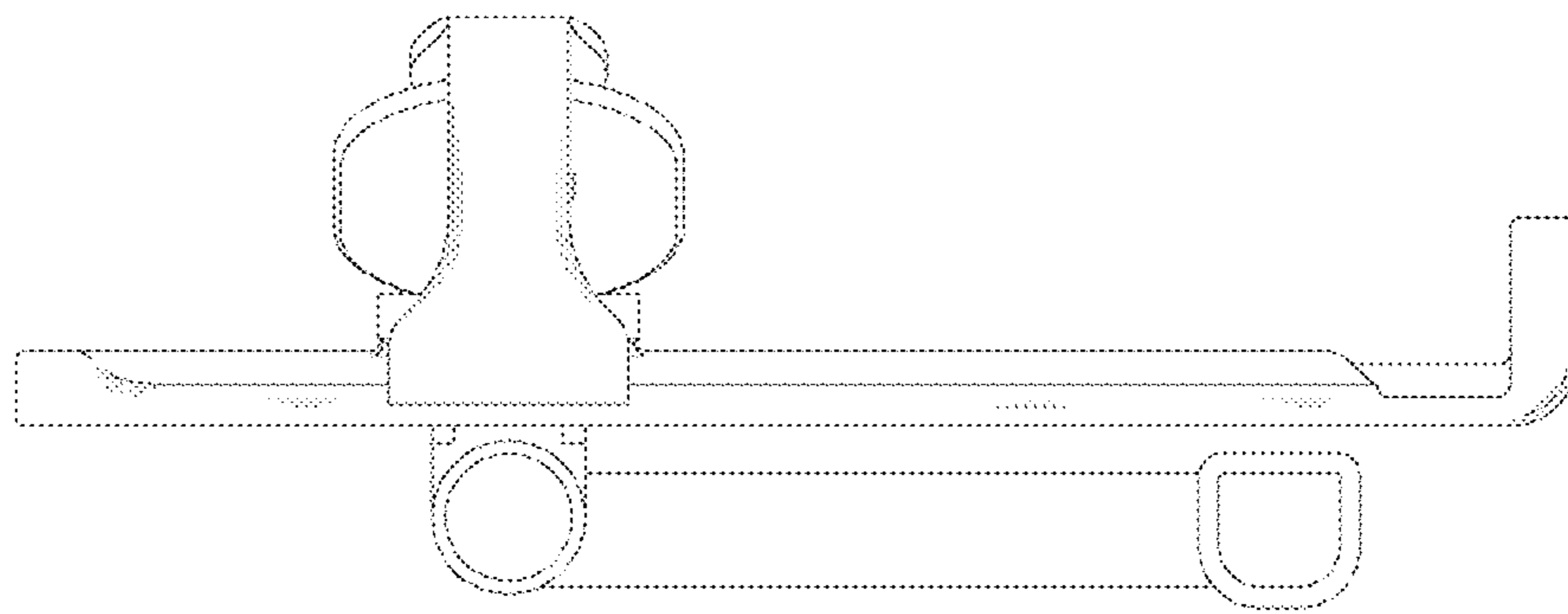


Fig. 4

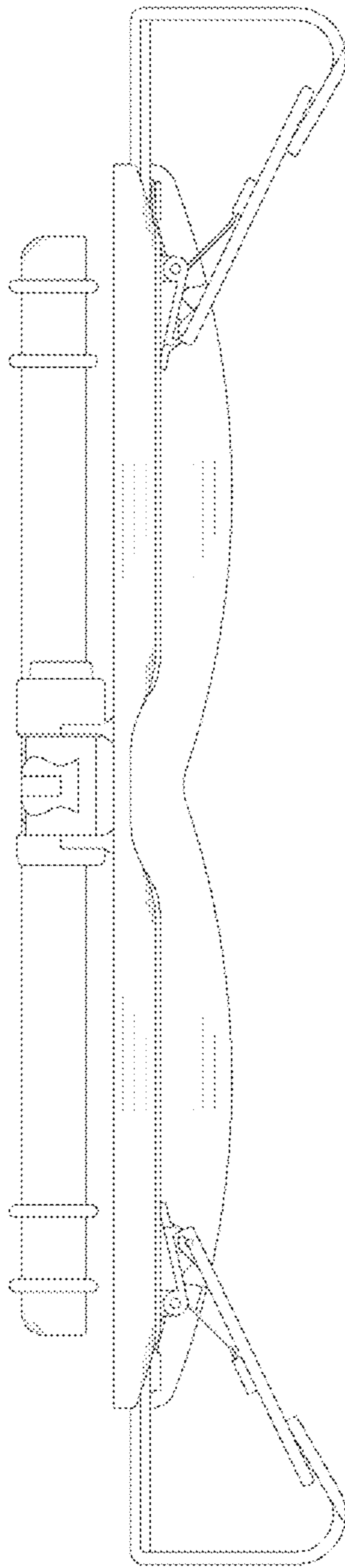


Fig.5

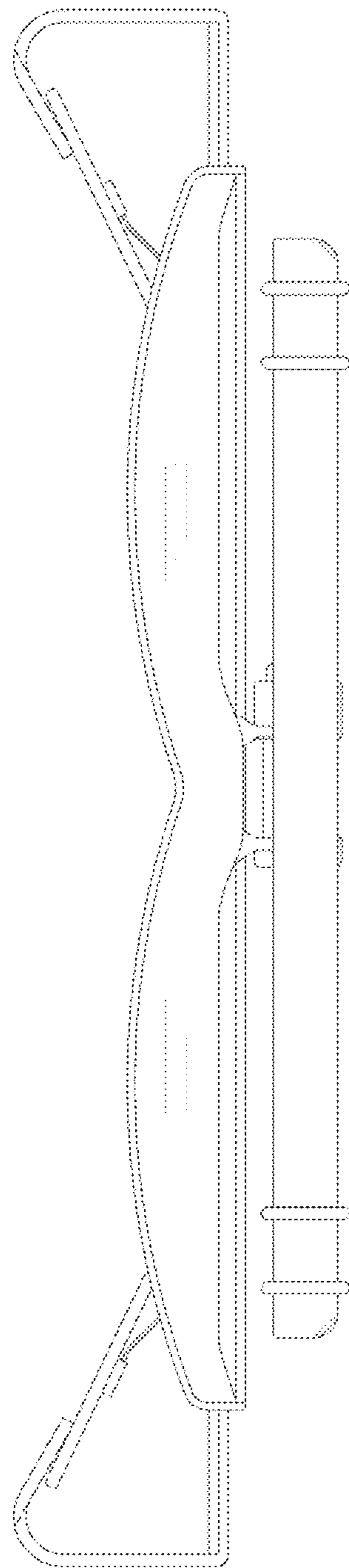


Fig.6

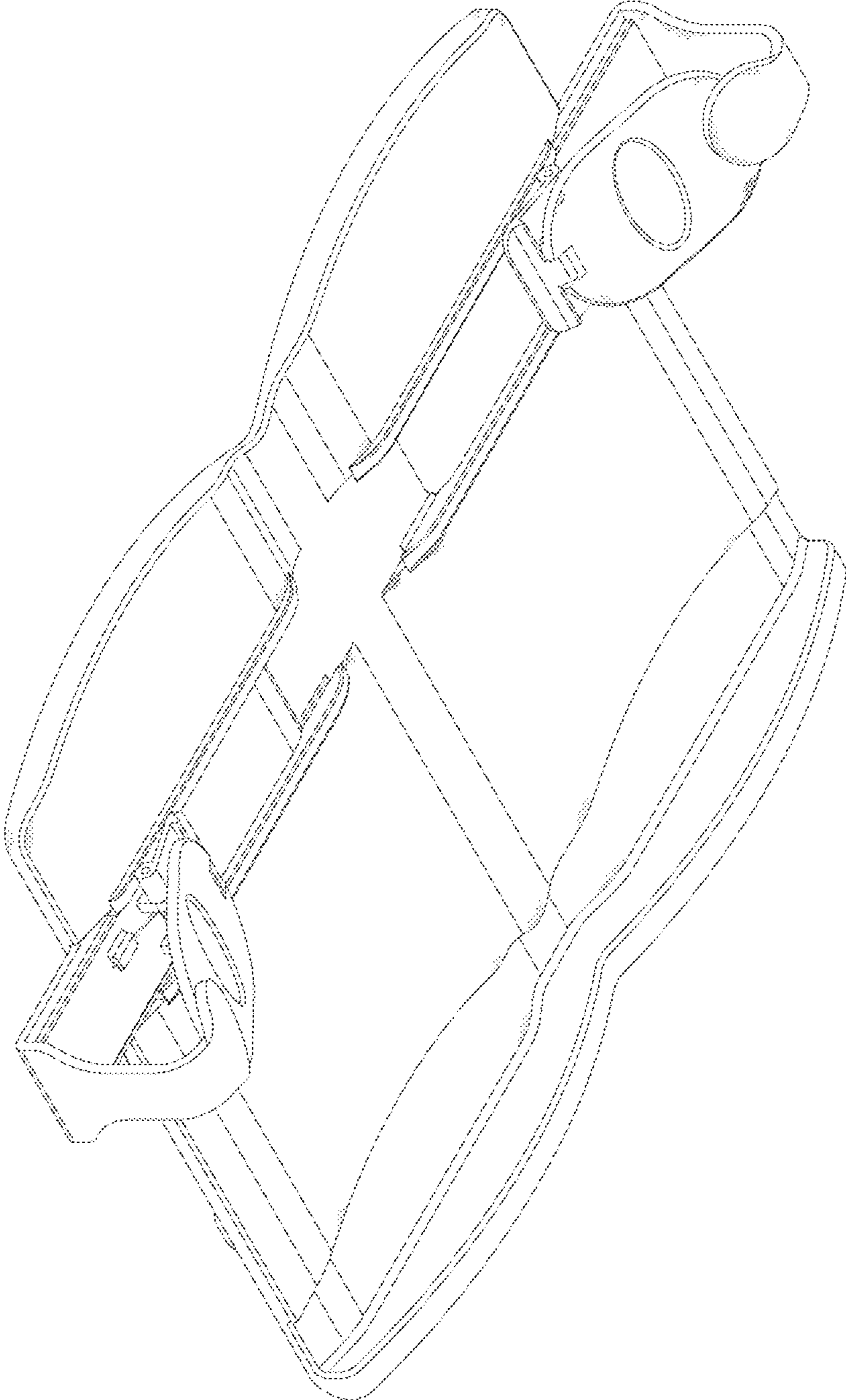


Fig. 7

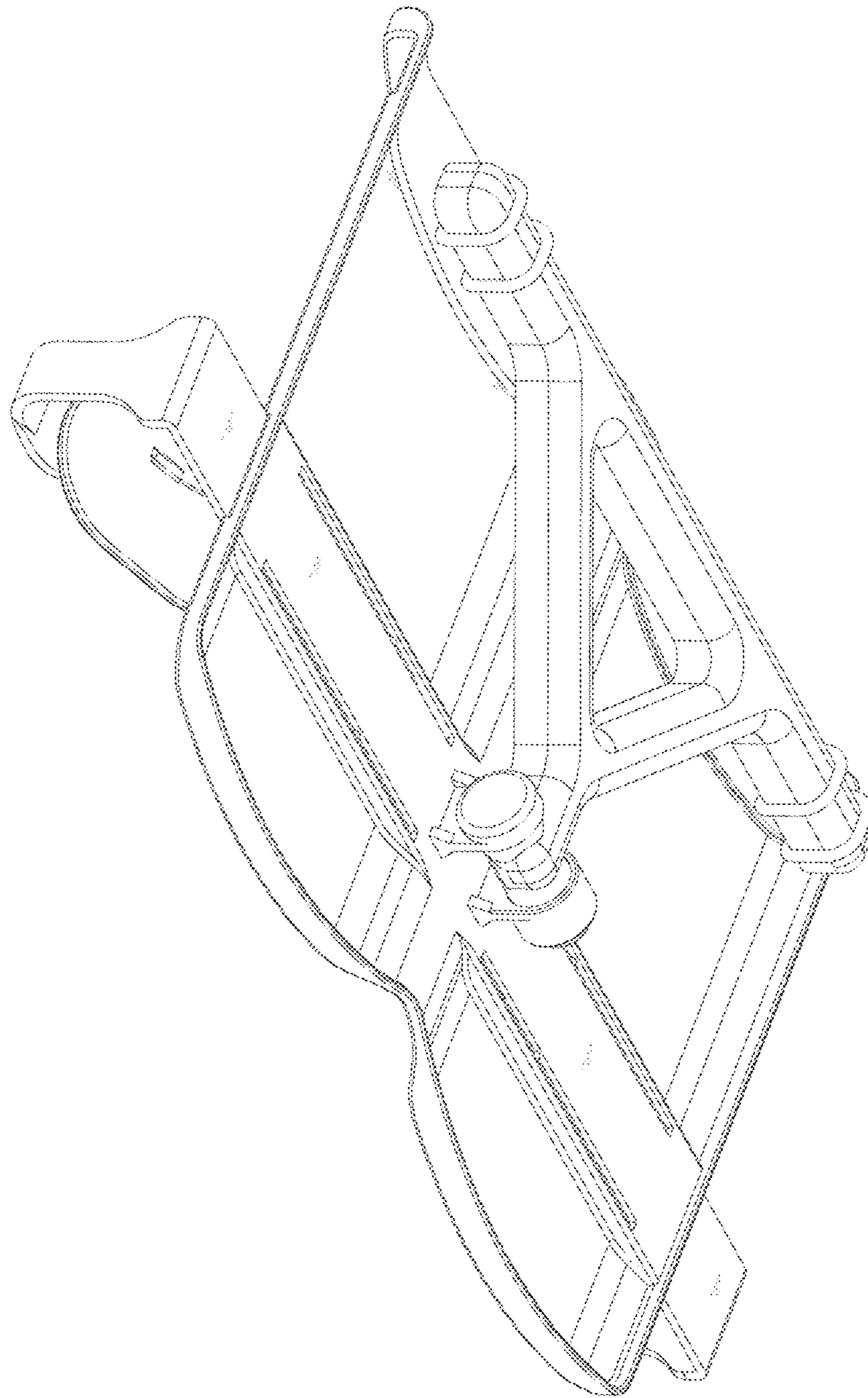


Fig. 8