



US00D930994S

(12) **United States Design Patent**
Russo

(10) **Patent No.:** **US D930,994 S**

(45) **Date of Patent:** **** Sep. 21, 2021**

(54) **BRUSH**

(71) Applicant: **J & D Brush Co., LLC**, Commack, NY (US)

(72) Inventor: **Melissa Russo**, Commack, NY (US)

(73) Assignee: **J & D Brush Co., LLC**, Commack, NY (US)

(**) Term: **15 Years**

(21) Appl. No.: **29/732,520**

(22) Filed: **Apr. 24, 2020**

(51) **LOC (13) Cl.** **04-99**

(52) **U.S. Cl.**
USPC **D4/135**

(58) **Field of Classification Search**
USPC D4/130, 131, 132, 133, 134, 135, 136,
D4/137, 138; D8/80, 83; D30/158, 159
CPC Y10S 15/10; A46B 2200/1046; A46B
2200/104; A46B 9/023; A46B 9/02
See application file for complete search history.

(56) **References Cited**

U.S. PATENT DOCUMENTS

D423,792 S * 5/2000 Amante D4/133
D466,693 S * 12/2002 Richmond D4/102

D471,717 S * 3/2003 Amante D4/133
D472,052 S * 3/2003 Park D4/119
D892,415 S * 8/2020 Axelrod D30/159
D917,889 S * 5/2021 Janeke D4/133

* cited by examiner

Primary Examiner — George A Bugg

Assistant Examiner — Tamara L Hahn

(74) *Attorney, Agent, or Firm* — Gloria Tsui-Yip, Esq.;
Gottlieb, Rackman & Reisman, P.C.

(57) **CLAIM**

The ornamental design for a brush, as shown and described.

DESCRIPTION

FIG. 1 is a right side elevational view showing a brush of my new design;

FIG. 2 is a rear elevational view thereof;

FIG. 3 is a left side elevational view thereof;

FIG. 4 is a front elevational view thereof;

FIG. 5 is a top plan view thereof;

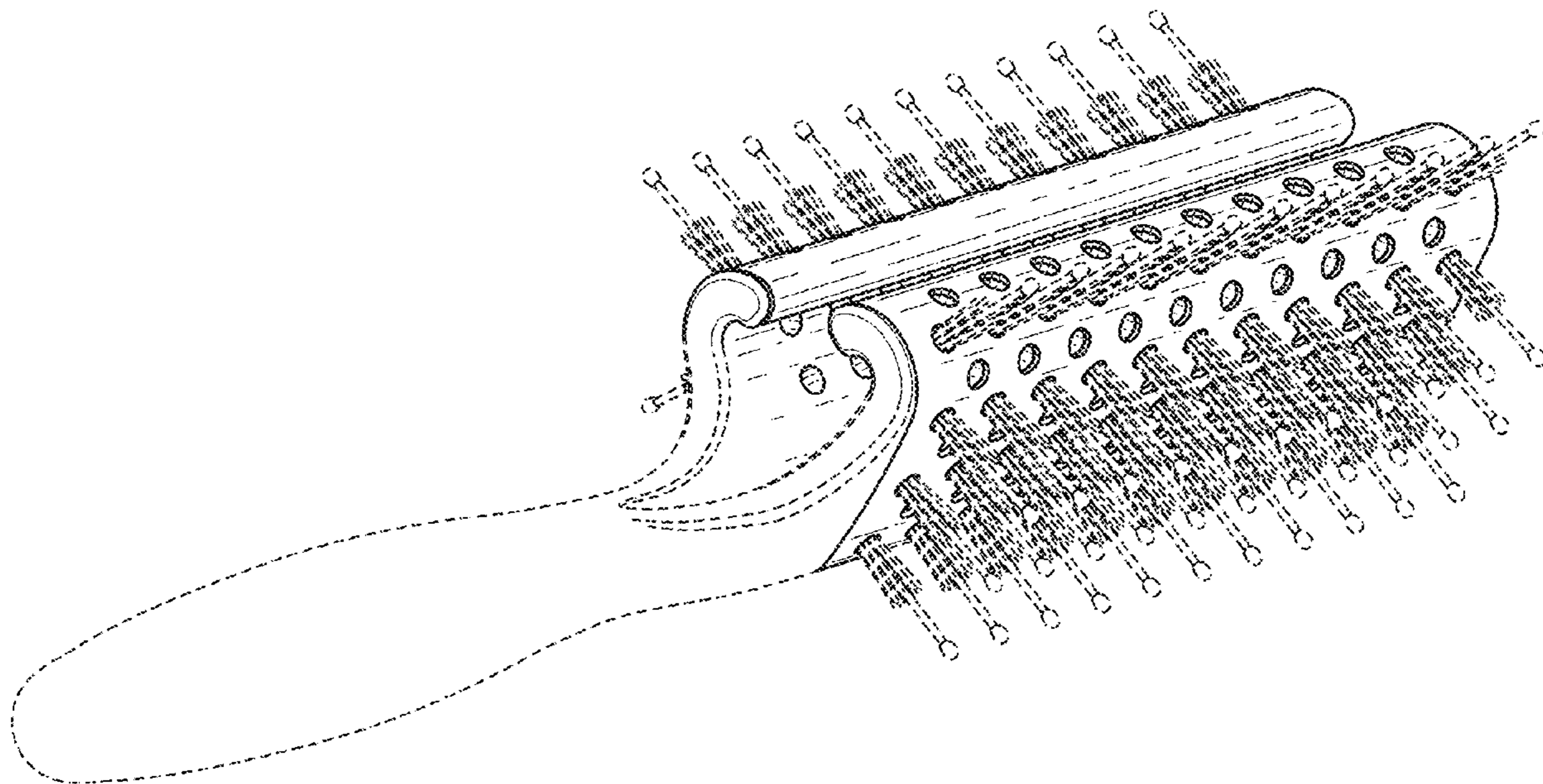
FIG. 6 is a bottom plan view thereof;

FIG. 7 is a perspective view thereof; and,

FIG. 8 is another perspective view thereof.

The broken lines showing of the brush handle, brush tips, and bristles in the drawings depict portions of the brush that form no part of the claimed design.

1 Claim, 5 Drawing Sheets



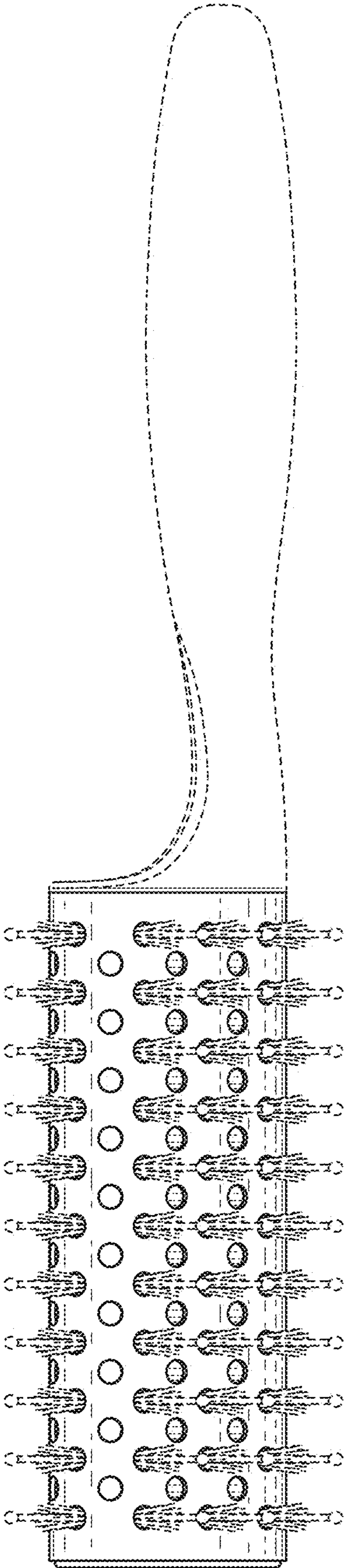


FIG. 1

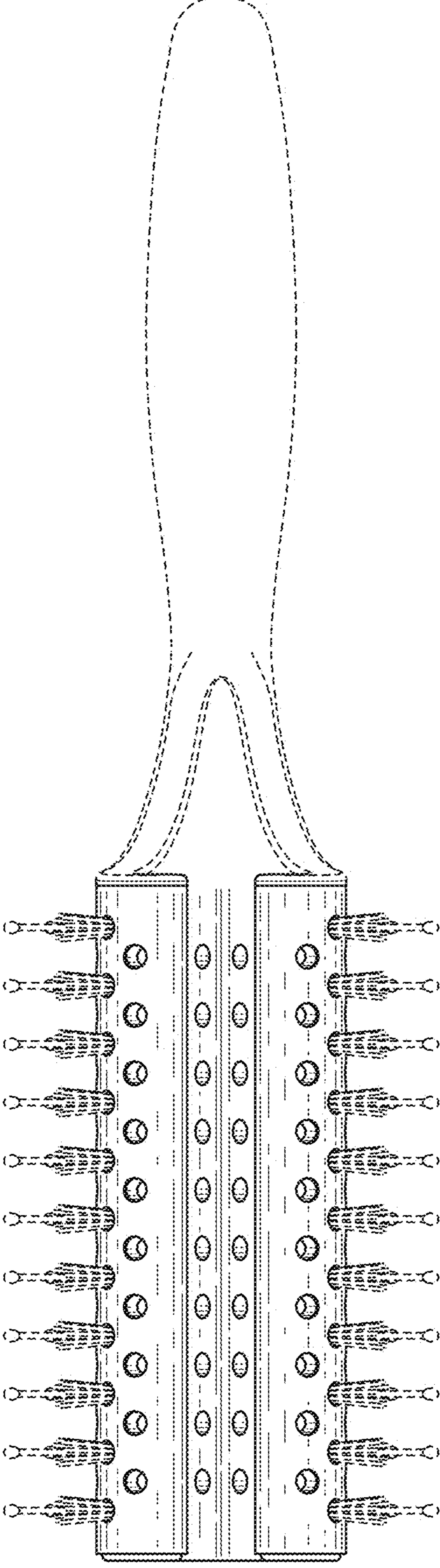


FIG. 2

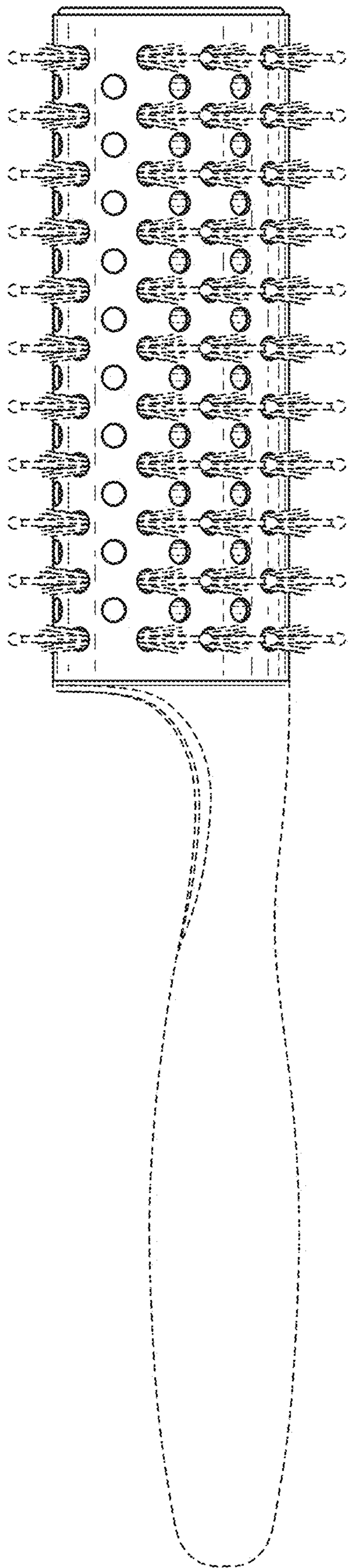


FIG. 3

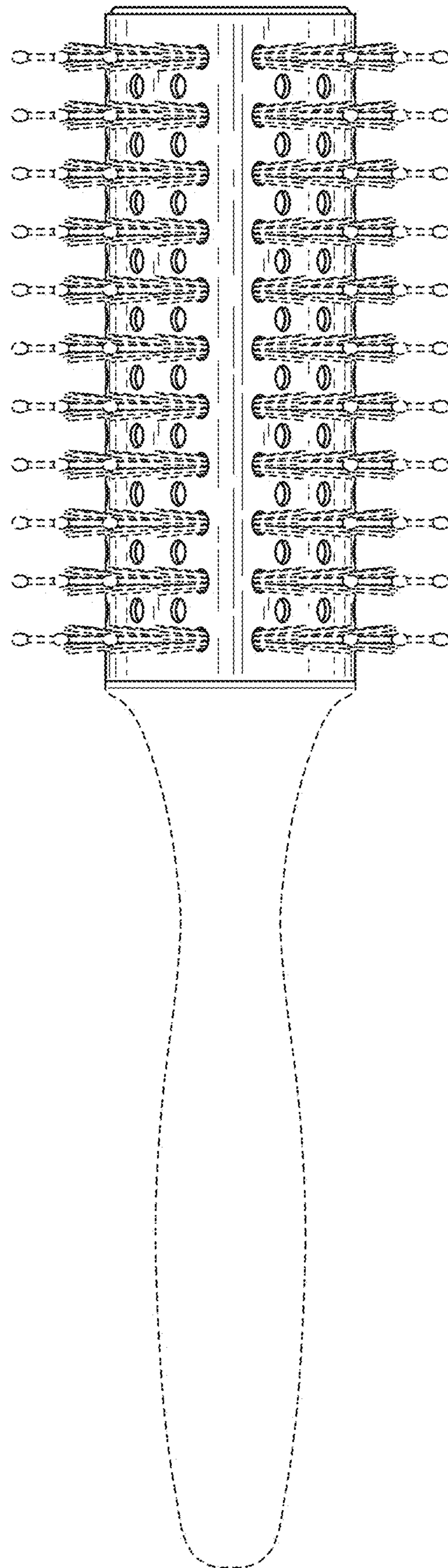


FIG. 4

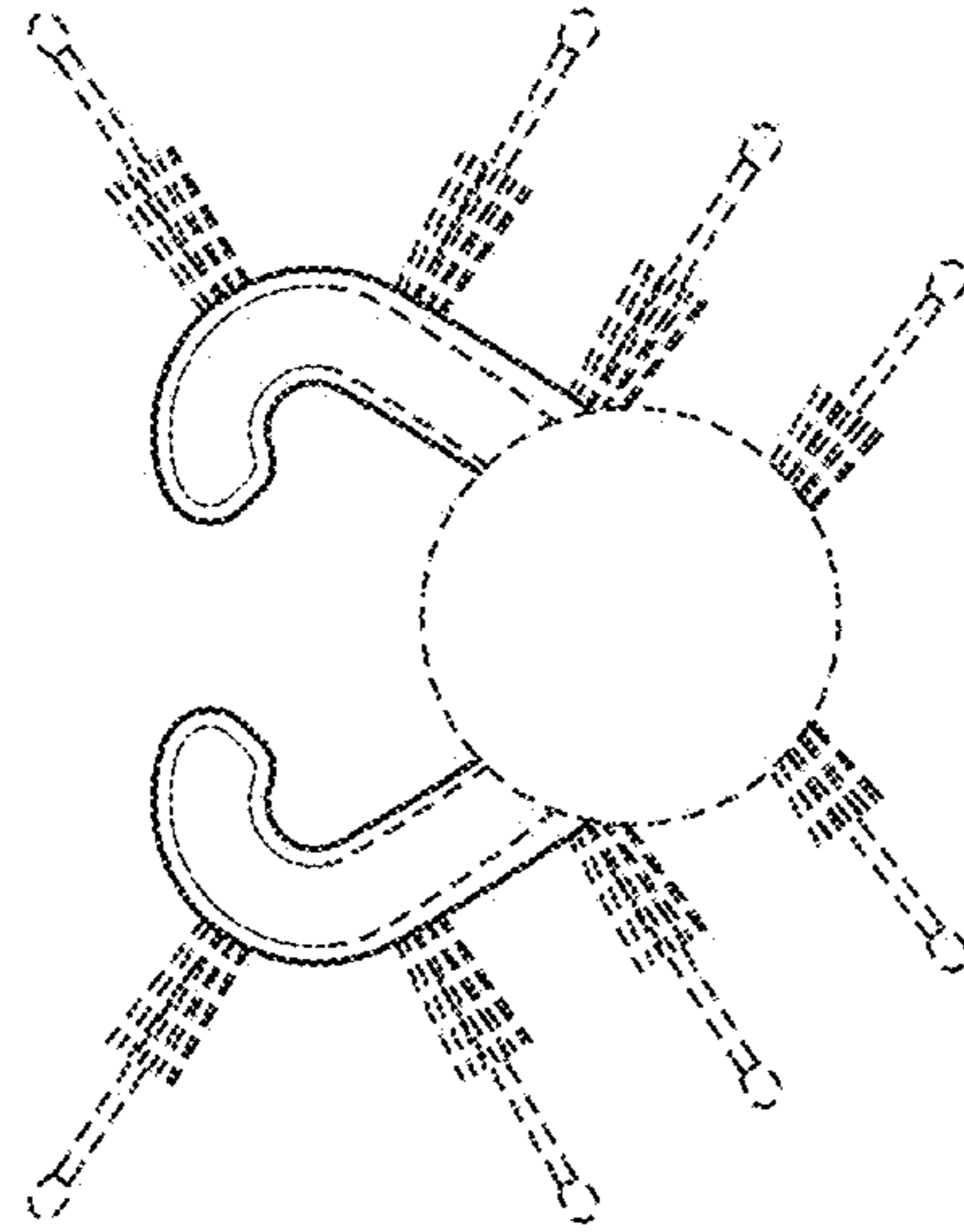


FIG.6

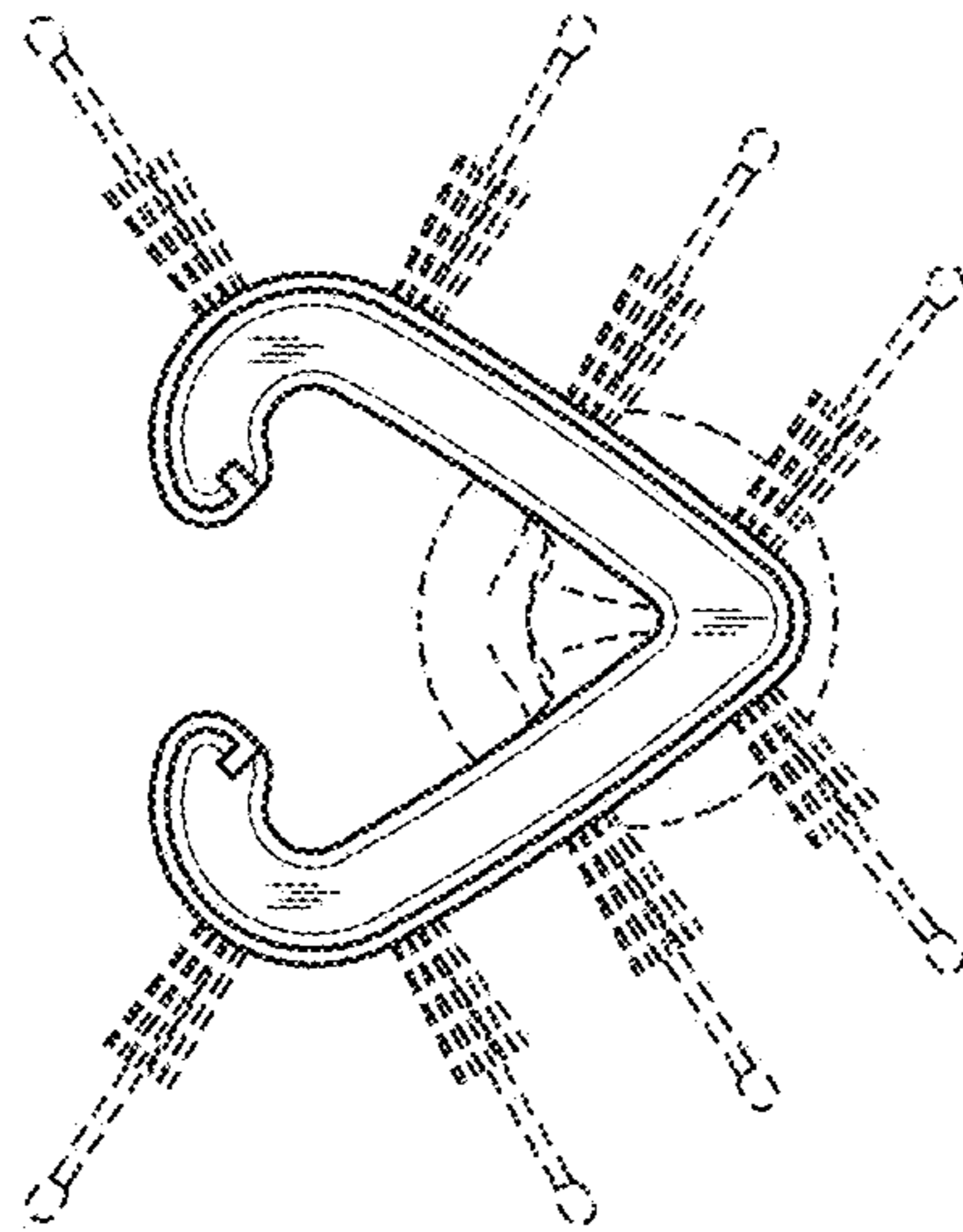


FIG.5

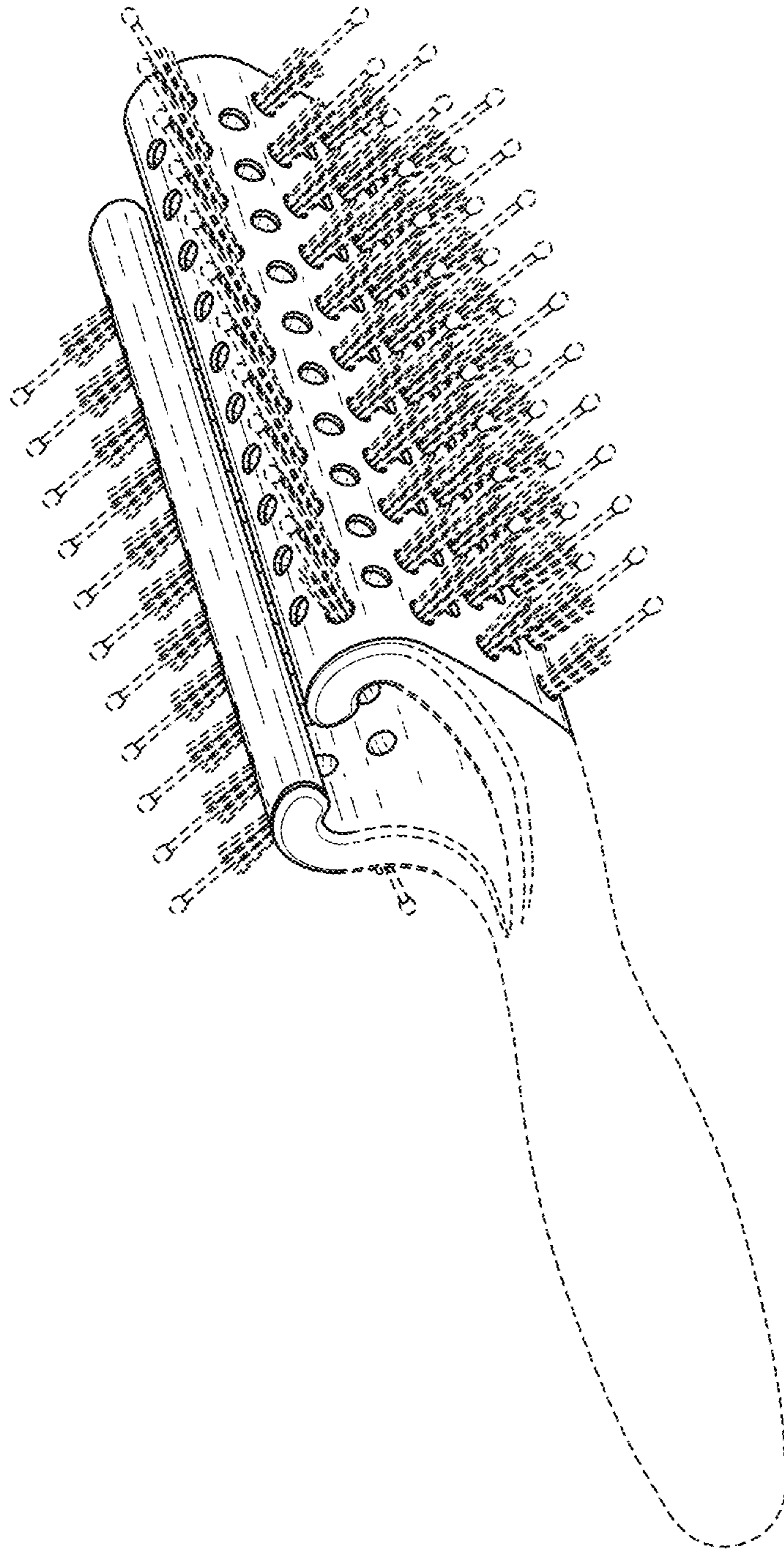


FIG.7

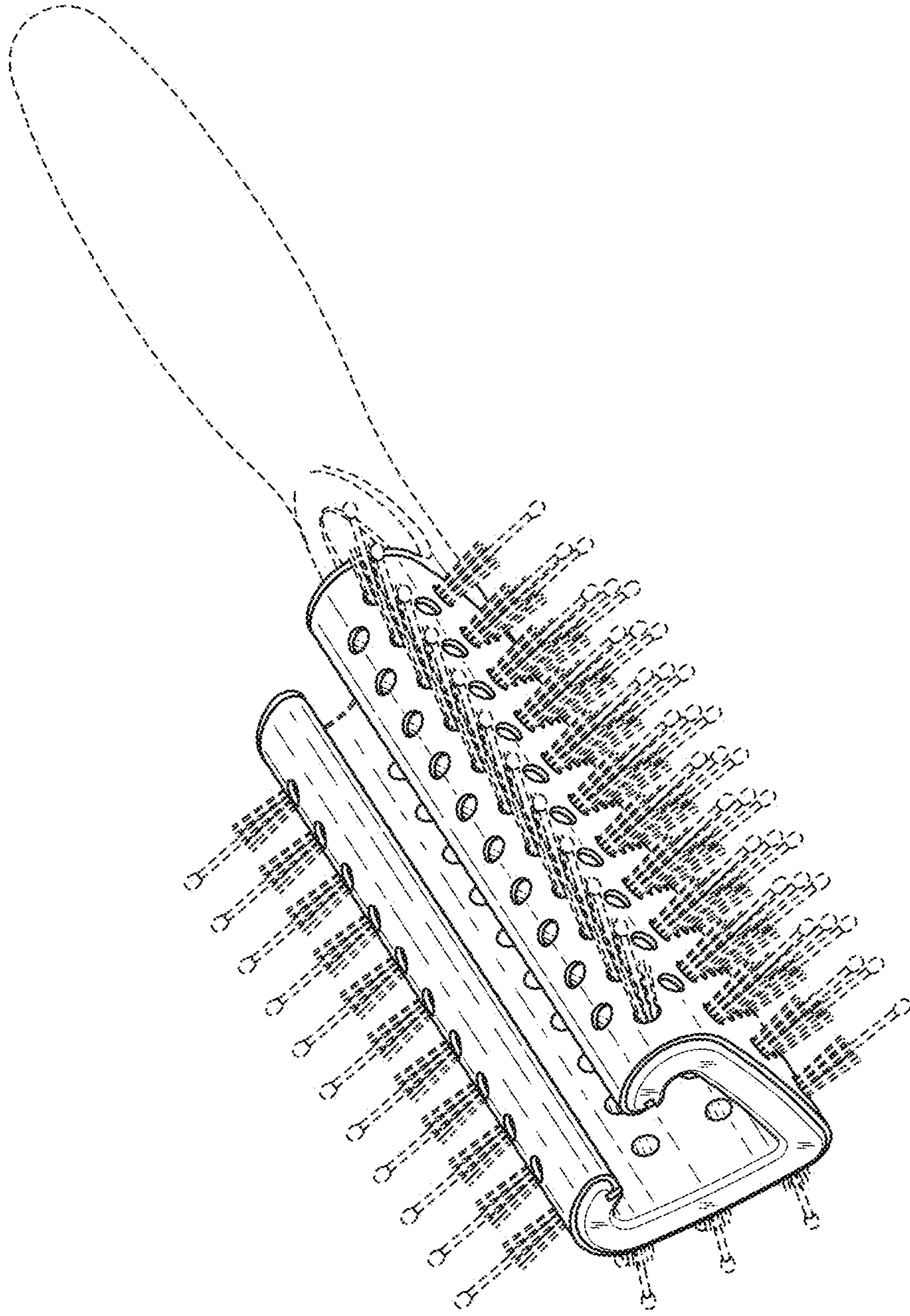


FIG.8