



US00D930992S

(12) **United States Design Patent** (10) **Patent No.:** **US D930,992 S**  
**Hinds et al.** (45) **Date of Patent:** **\*\* Sep. 21, 2021**

(54) **HAIR BRUSH**  
(71) Applicant: **CONAIR CORPORATION**, Stamford, CT (US)  
(72) Inventors: **Kristen L. Hinds**, Cos Cob, CT (US); **Sophia Wojczak**, Harrison, NY (US)  
(73) Assignee: **Conair LLC**, Stamford, CT (US)

D787,834 S \* 5/2017 Cheung ..... D4/128  
D792,711 S \* 7/2017 Hou ..... D4/133  
D798,605 S \* 10/2017 Funches ..... D4/128  
D817,643 S \* 5/2018 Valle ..... D4/100  
D823,004 S \* 7/2018 Kuo ..... D4/128  
D823,005 S \* 7/2018 Kuo ..... D4/128  
D846,286 S \* 4/2019 Treeby ..... D4/128  
D846,887 S \* 4/2019 Treeby ..... D4/128

(Continued)

(\*\*) Term: **15 Years**

(21) Appl. No.: **29/711,361**

(22) Filed: **Oct. 30, 2019**

(51) **LOC (13) Cl.** ..... **04-02**

(52) **U.S. Cl.**  
USPC ..... **D4/128**

(58) **Field of Classification Search**  
USPC ..... D4/108, 109, 119, 128, 129, 131, 136, D4/138; D7/682; D28/65; D32/35, 51  
CPC . A45D 1/00; A45D 2/10; A45D 24/00; A46B 5/02; A46B 9/023; A46B 9/028; A46B 2200/10; A46B 2200/104; A46D 1/003; A46D 3/087

See application file for complete search history.

(56) **References Cited**

**U.S. PATENT DOCUMENTS**

D621,163 S \* 8/2010 Rennette ..... D4/128  
D627,568 S \* 11/2010 Rennette ..... D4/128  
D652,219 S \* 1/2012 Park ..... D4/128  
D653,038 S \* 1/2012 Park ..... D4/128  
D668,054 S \* 10/2012 Julemont ..... D4/128  
D679,910 S \* 4/2013 Nimsgern ..... D4/128  
D696,026 S \* 12/2013 Park ..... D4/128  
D696,028 S \* 12/2013 Park ..... D4/128  
D710,114 S \* 8/2014 Yao ..... D4/128  
D721,505 S \* 1/2015 Schuler ..... D4/128  
9,198,499 B2 \* 12/2015 Kim ..... A46B 3/18  
9,504,311 B2 \* 11/2016 Putzer ..... A46B 9/10

**OTHER PUBLICATIONS**

Harper's Bazaar Staff. "The Best Hair Brushes for Every Hair Type." Harper's Bazaar, Nov. 13, 2020 [online], [retrieved on May 31, 2021]. Retrieved from the Internet <URL: <https://www.harpersbazaar.com/beauty/hair/advice/g3984/best-hair-brushes/>>.\*

(Continued)

*Primary Examiner* — Darlington Ly

(74) *Attorney, Agent, or Firm* — Ohlandt, Greeley, Ruggiero & Perle, L.L.P.

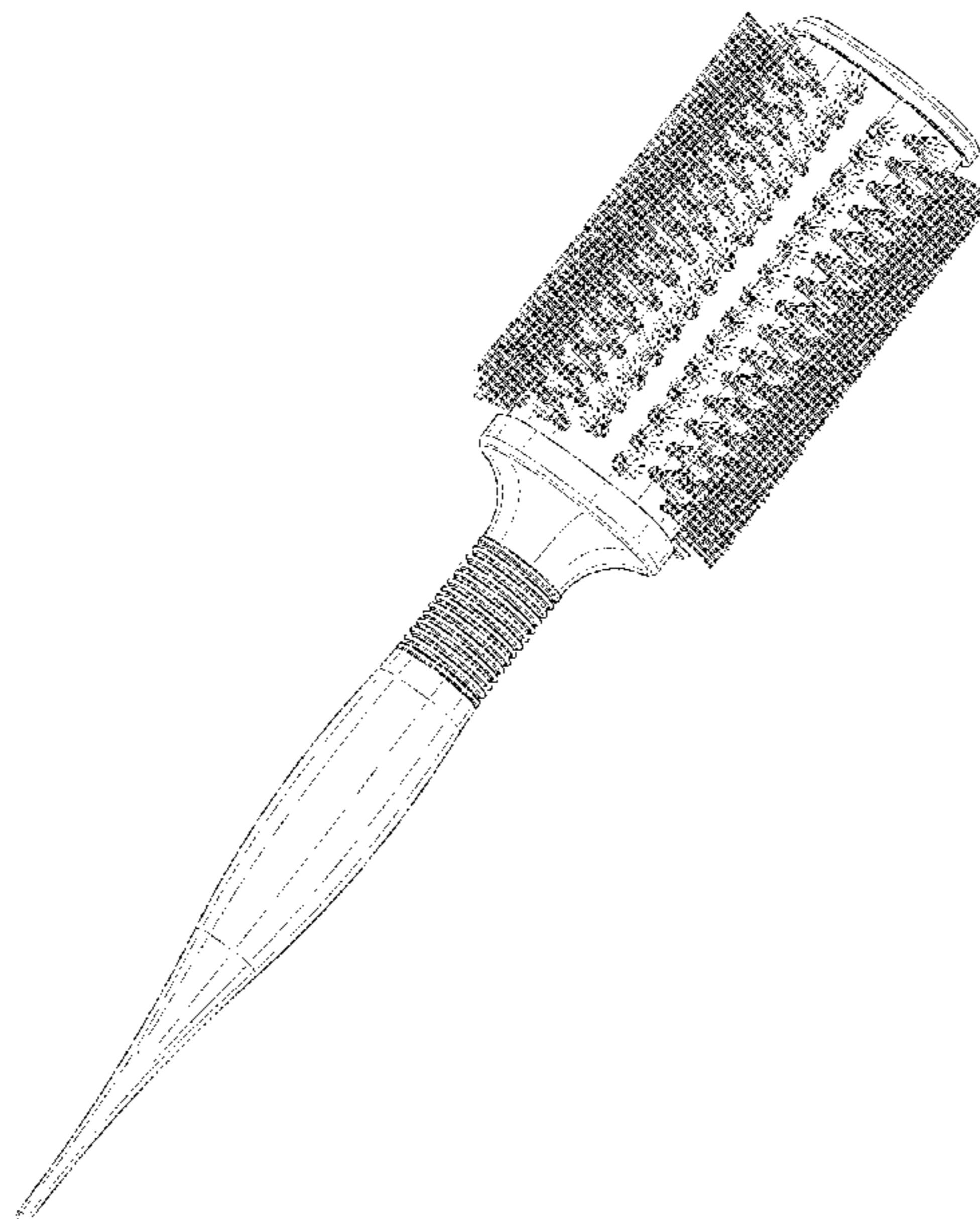
(57) **CLAIM**

The ornamental design for a hair brush, as shown and described.

**DESCRIPTION**

FIG. 1 is a bottom, front perspective view of an ornamental design for a hair brush according to the present invention; FIG. 2 is top, front perspective view of the hair brush of FIG. 1; FIG. 3 is a front elevational view of the hair brush of FIG. 1; FIG. 4 is a rear elevational view of the hair brush of FIG. 1; FIG. 5 is a right side elevational view of the hair brush of FIG. 1 (the left side elevational view being identical); FIG. 6 is a top plan view of the hair brush of FIG. 1; and, FIG. 7 is a bottom plan view of the hair brush of FIG. 1.

**1 Claim, 6 Drawing Sheets**



(56)

**References Cited**

U.S. PATENT DOCUMENTS

D847,514	S *	5/2019	Maman	.....	D4/128
10,292,486	B2 *	5/2019	Vecchiola	.....	A46B 9/023
D856,683	S *	8/2019	Rennette	.....	D4/128
D884,360	S *	5/2020	Hou	.....	D4/128
D898,375	S *	10/2020	Robbins	.....	D4/121
D899,781	S *	10/2020	Liang	.....	D4/100
D911,717	S *	3/2021	Rennette	.....	D4/128
10,939,747	B2 *	3/2021	Mikitovic	.....	A45D 24/00
D916,468	S *	4/2021	Rennette	.....	D4/128
2002/0066150	A1 *	6/2002	Bigio	.....	A46B 9/023 15/160
2012/0260444	A1 *	10/2012	Fong	.....	A46B 9/023 15/159.1

OTHER PUBLICATIONS

Hilary Reid. "The Best Hairbrushes, According to Hairstylists and Salon Owners." *The Strategist*, Nov. 19, 2019 [online], [retrieved on May 31, 2021]. Retrieved from the Internet <URL: <https://nymag.com/strategist/article/best-hair-brush.html>>.\*

Nina Bradley. "The 4 Best Round Brushes For Fine Thin Hair." *The Strategist*, Jun. 1, 2019 [online], [retrieved on May 31, 2021]. Retrieved from the Internet <URL: <https://www.bustle.com/p/the-4-best-round-brushes-for-fine-thin-hair-17865482>>.\*

Bianca London. "How to be resilient: This practical guide to dealing with setbacks is essential reading." *Glamour*, Dec. 4, 2019 [online], [retrieved on May 31, 2021]. Retrieved from the Internet <URL: <https://www.glamourmagazine.co.uk/gallery/best-round-brushes>>.\*

\* cited by examiner

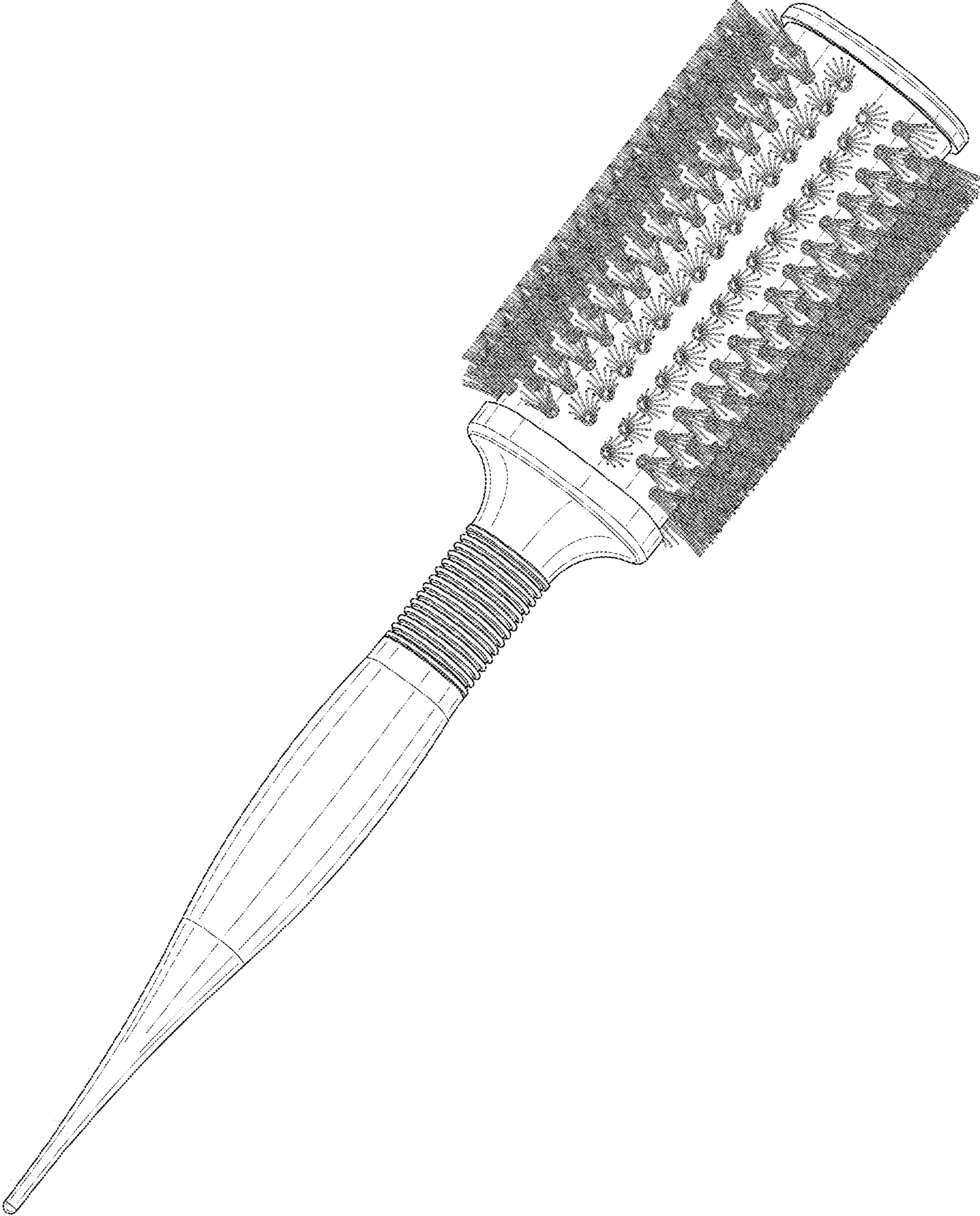


FIG. 1

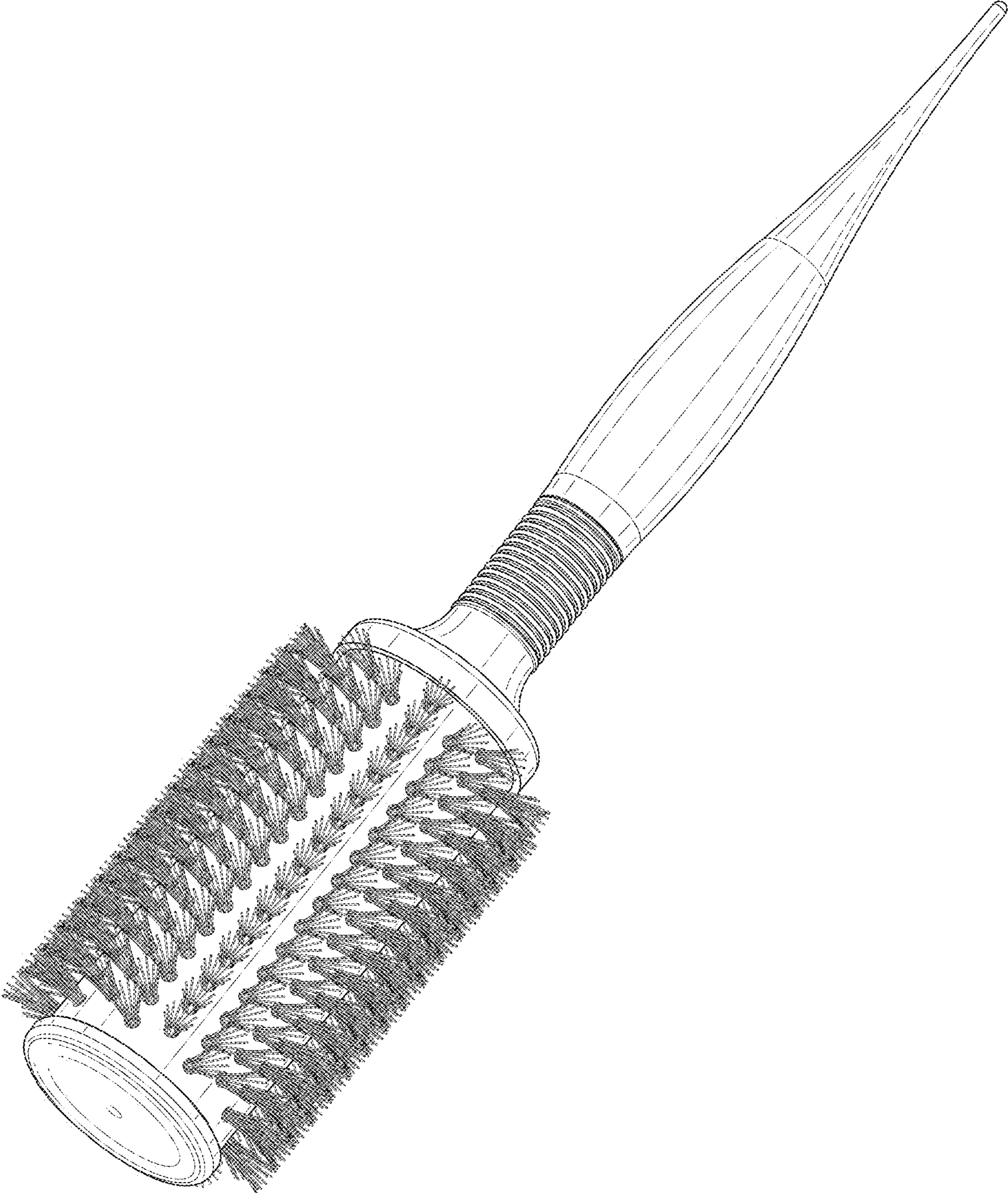


FIG. 2

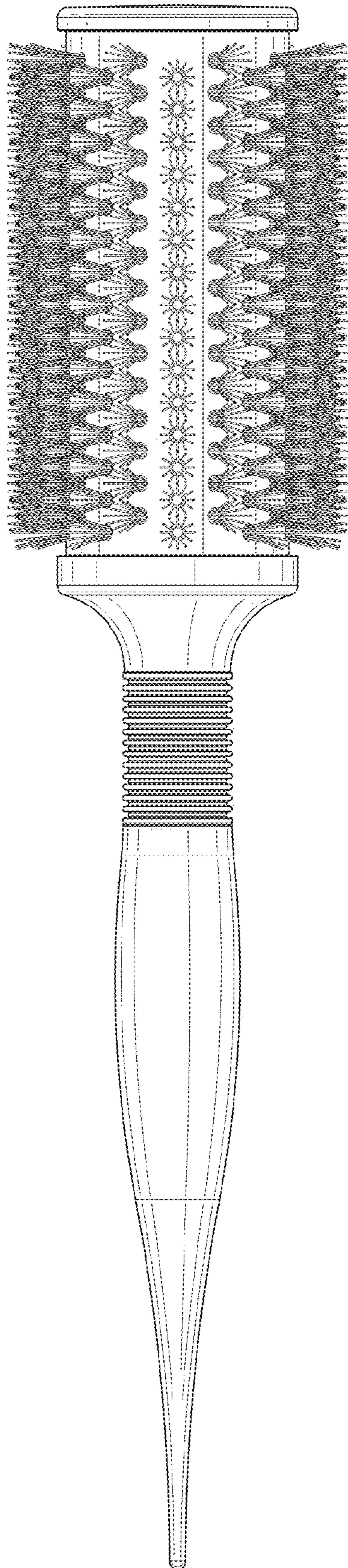


FIG. 3

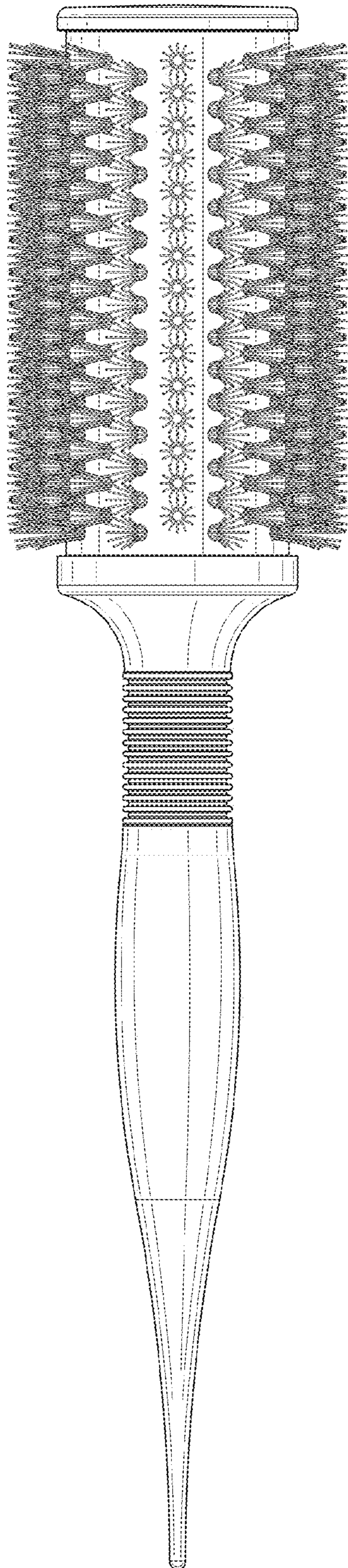


FIG. 4

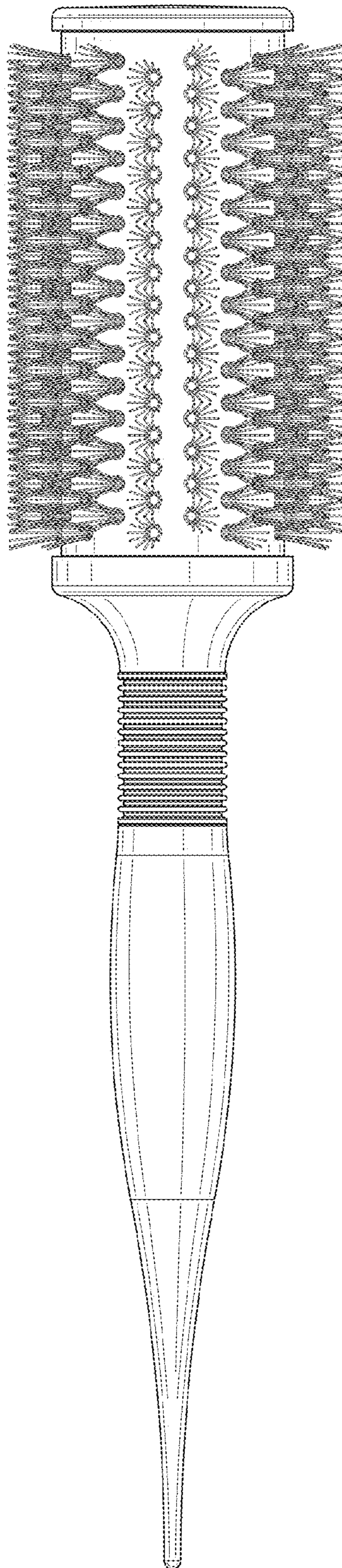


FIG. 5

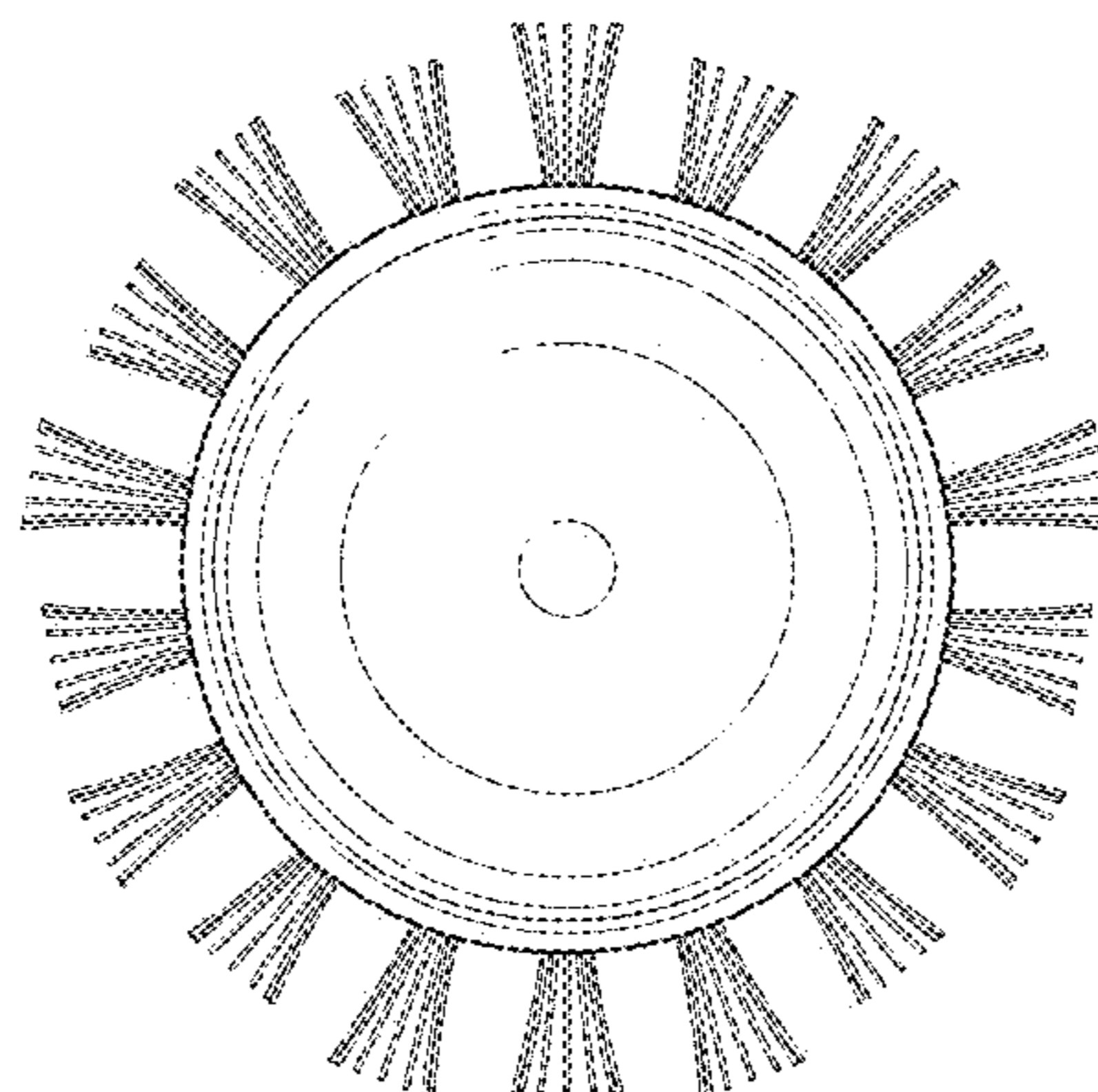


FIG. 6

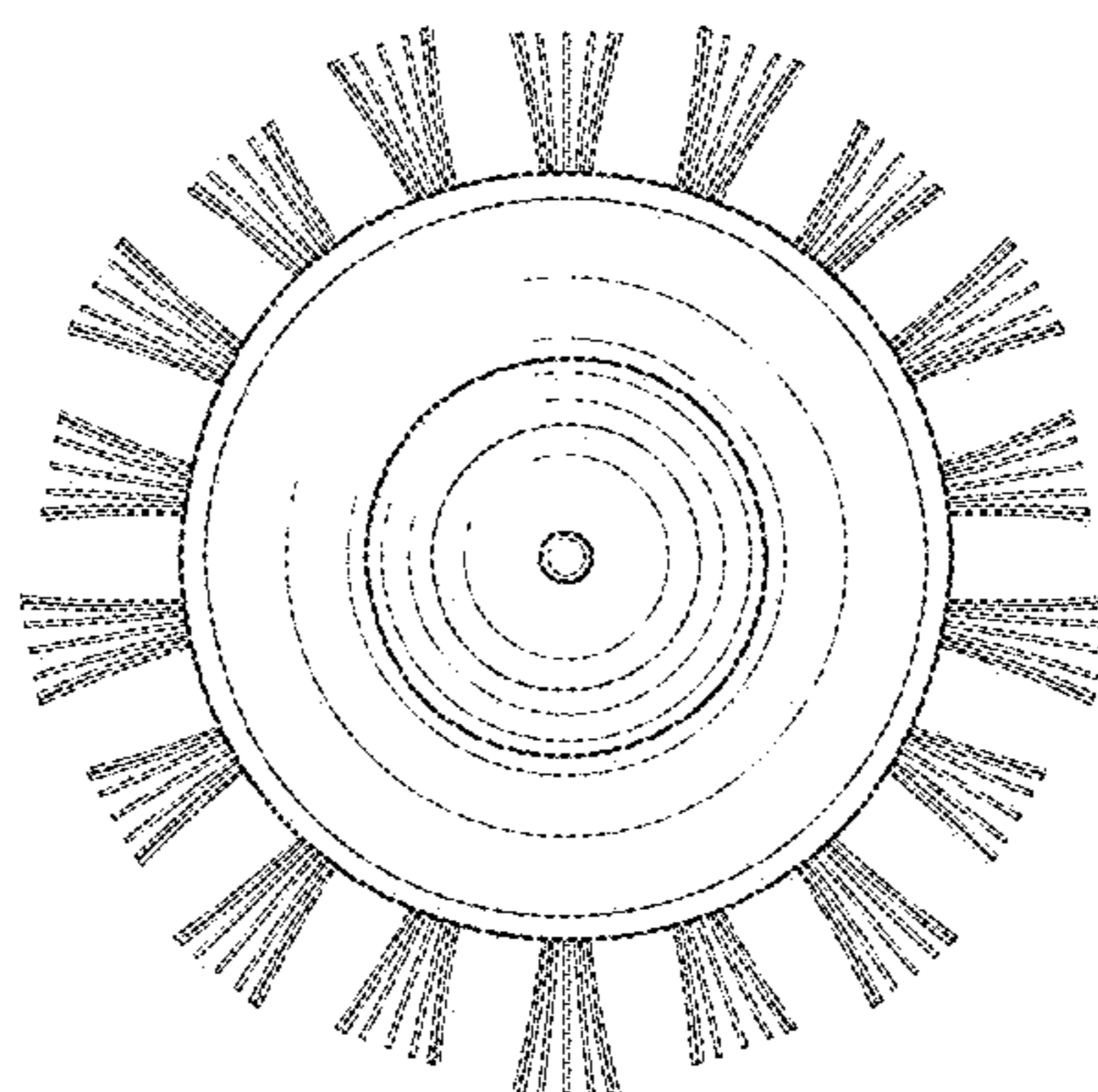


FIG. 7