



US00D930991S

(12) **United States Design Patent**
Ben-Simon

(10) **Patent No.:** **US D930,991 S**

(45) **Date of Patent:** **** Sep. 21, 2021**

(54) **BRUSH FOR A SWIMMING POOL CLEANER**

(71) Applicant: **MAYTRONICS LTD.**, Kibbutz Yizrael (IL)

(72) Inventor: **Jackov-Guy Ben-Simon**, Yokneam (IL)

(73) Assignee: **MAYTRONICS LTD.**

(**) Term: **15 Years**

(21) Appl. No.: **29/733,564**

(22) Filed: **May 4, 2020**

(30) **Foreign Application Priority Data**

Feb. 2, 2020 (EP) 007664222-0002

(51) **LOC (13) Cl.** **04-01**

(52) **U.S. Cl.**
USPC **D4/121**

(58) **Field of Classification Search**
USPC D4/114-137; D32/50, 18, 19, 20, 21, 22, D32/23
CPC ... E04H 4/1218; E04H 4/1618; E04H 4/1654; A46B 2200/104; A46B 2200/30; A46B 2200/3033; A46B 2200/3046; A46B 2200/3093; A46B 13/008
See application file for complete search history.

(56) **References Cited**

U.S. PATENT DOCUMENTS

3,186,019 A * 6/1965 Hattori A46B 9/06 15/179
4,703,535 A * 11/1987 Nehls E04H 4/1609 15/1.7
D369,447 S * 4/1996 Mann D32/19
D536,530 S * 2/2007 Peterson D4/121
D674,979 S * 1/2013 Girardot D32/35
D699,893 S * 2/2014 Marut D28/49
D700,997 S * 3/2014 Marut D28/49

D782,765 S * 3/2017 Mooney D32/40
D787,142 S * 5/2017 Buckley D32/40
D823,603 S * 7/2018 Ballard D4/102
D838,113 S * 1/2019 Santos D4/128
D875,319 S * 2/2020 Powell D28/63
D905,366 S * 12/2020 Hagee D32/52
D908,365 S * 1/2021 Liang D4/115

(Continued)

OTHER PUBLICATIONS

Grainger Rotary Brush, announced 2021 [online], [site visited Jul. 28, 2021]. Available from internet, URL: <https://www.grainger.com/product/33M299?gucid=N:N:FPL:Free:GGL:CSM-1946:tew63h3:20501231> (Year: 2021).*

(Continued)

Primary Examiner — George A Bugg
Assistant Examiner — Tamara L Hahn

(74) *Attorney, Agent, or Firm* — Isus Intellectual Property PLL; Anthony Jason Mirabito

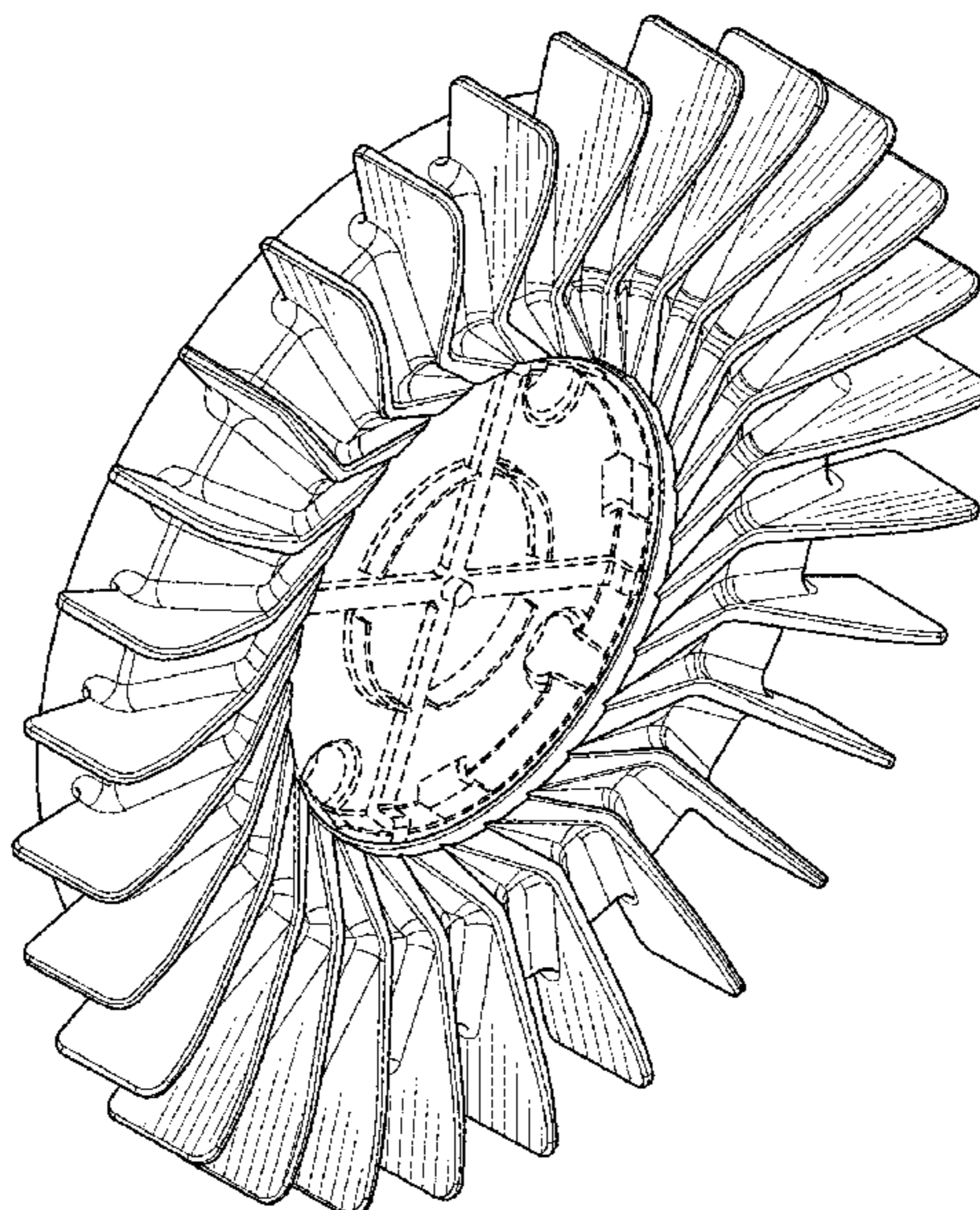
(57) **CLAIM**

The ornamental design for a brush for a swimming pool cleaner, as shown and described.

DESCRIPTION

FIG. 1 is a front perspective view of the new design.
FIG. 2 is a rear perspective view of the new design.
FIG. 3 is a top view of the new design.
FIG. 4 is a bottom view of the new design.
FIG. 5 is a right-side view of the new design.
FIG. 6 is a left-side view of the new design.
FIG. 7 is a right-side end elevation view of the new design; and,
FIG. 8 is a left side end elevation view of the new design.
The broken lines in the drawings depict portions of the brush for a swimming pool cleaner that form no part of the claimed design.

1 Claim, 6 Drawing Sheets



(56)

References Cited

U.S. PATENT DOCUMENTS

2003/0030711 A1* 2/2003 Marsh B41J 2/01
347/103
2014/0123503 A1* 5/2014 Tomita A01D 34/90
30/347
2014/0201936 A1* 7/2014 Yang A47L 13/255
15/231
2015/0274136 A1* 10/2015 Belanger A46B 11/06
134/6
2017/0073050 A1* 3/2017 Smith E04H 4/1618
2021/0179034 A1* 6/2021 Yamin, Sr. A46B 9/005

OTHER PUBLICATIONS

Shark Vac, announced May 2019 [online], [site visited Jul. 28, 2021]. Available from internet, URL: <https://www.poolsupplyunlimited.com/pool/hayward-w3rc9740cub-sharkvac-robotic-pool-cleaner/164195p1> (Year: 2019).*

* cited by examiner

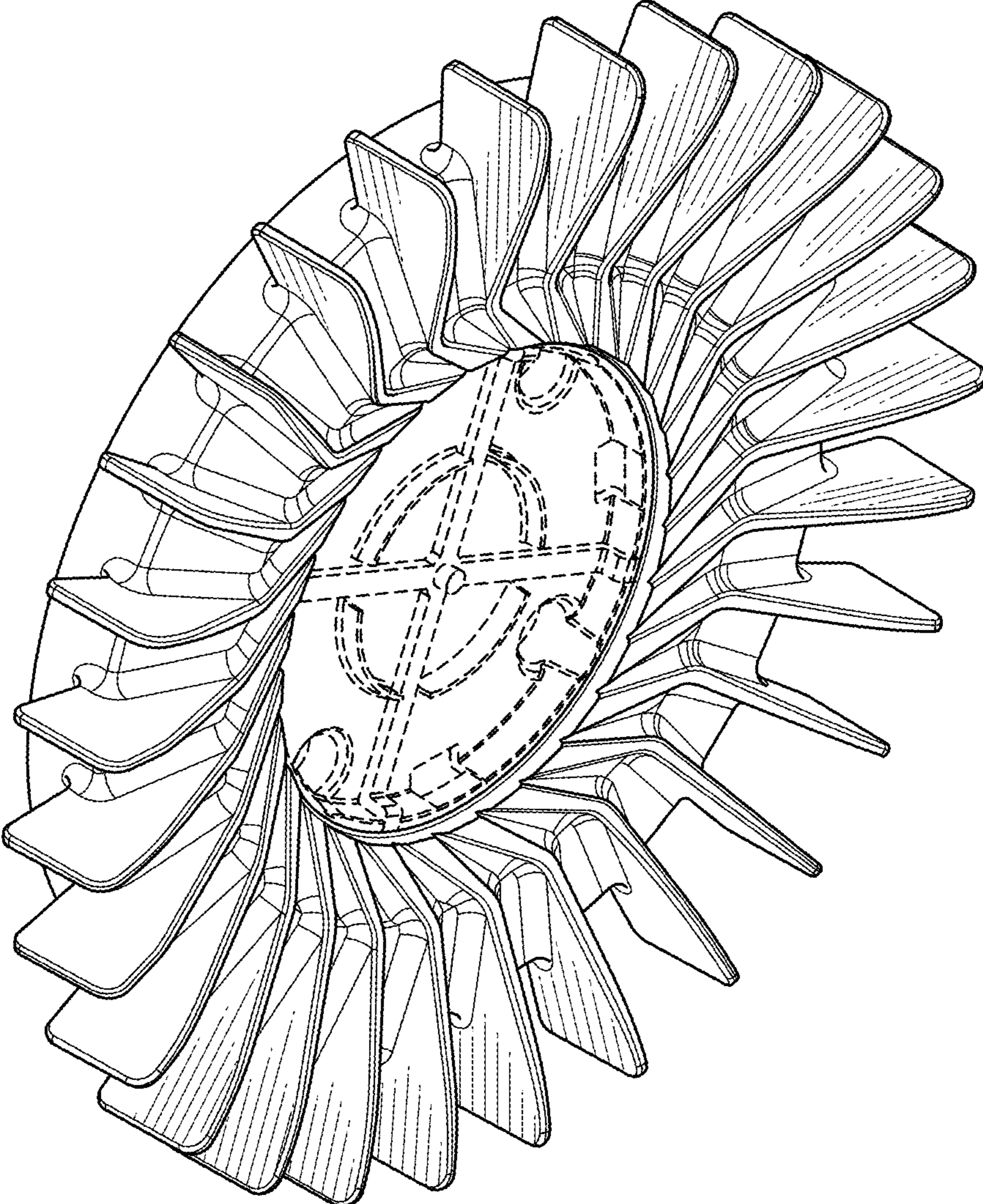


FIG. 1

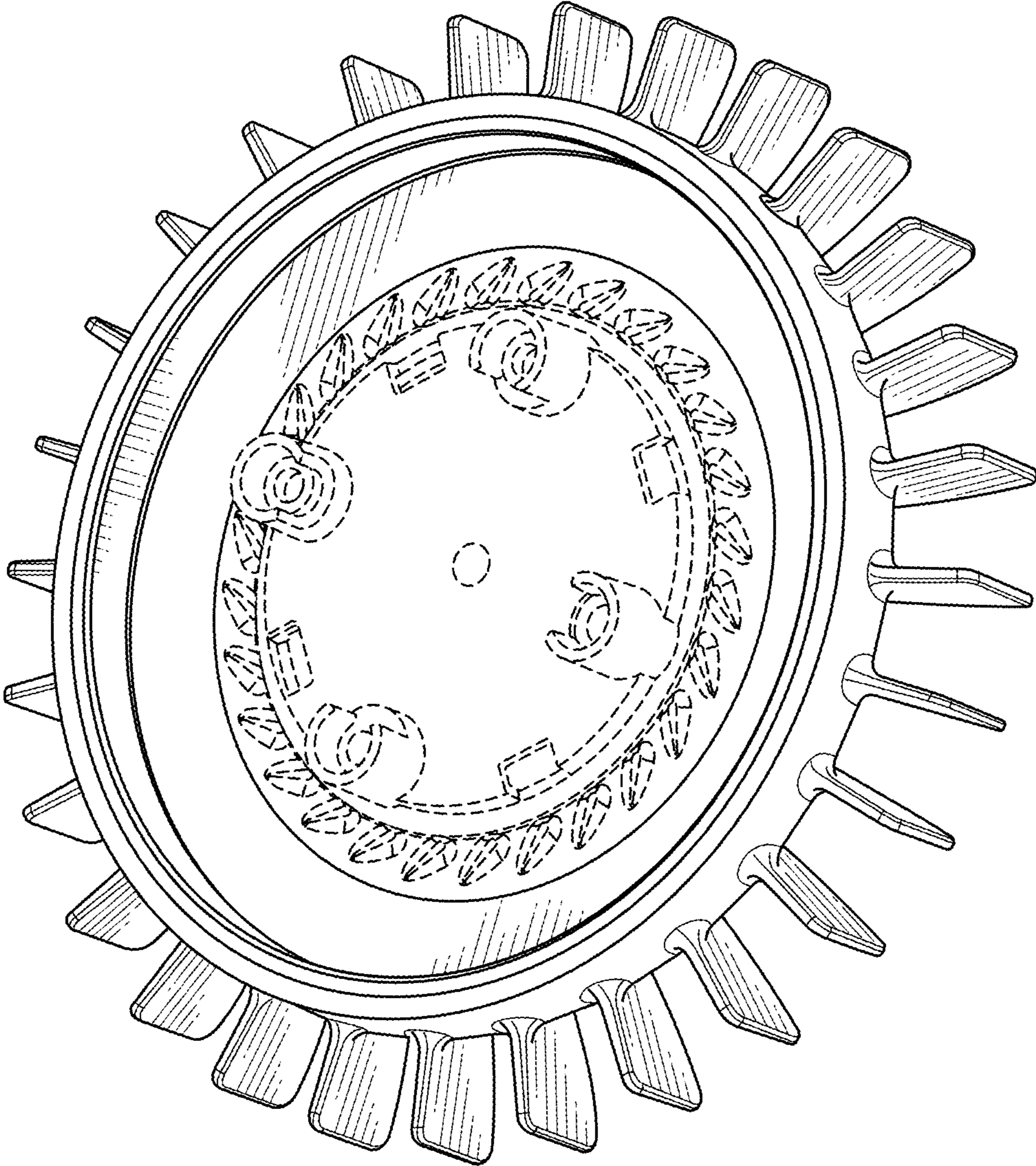


FIG. 2

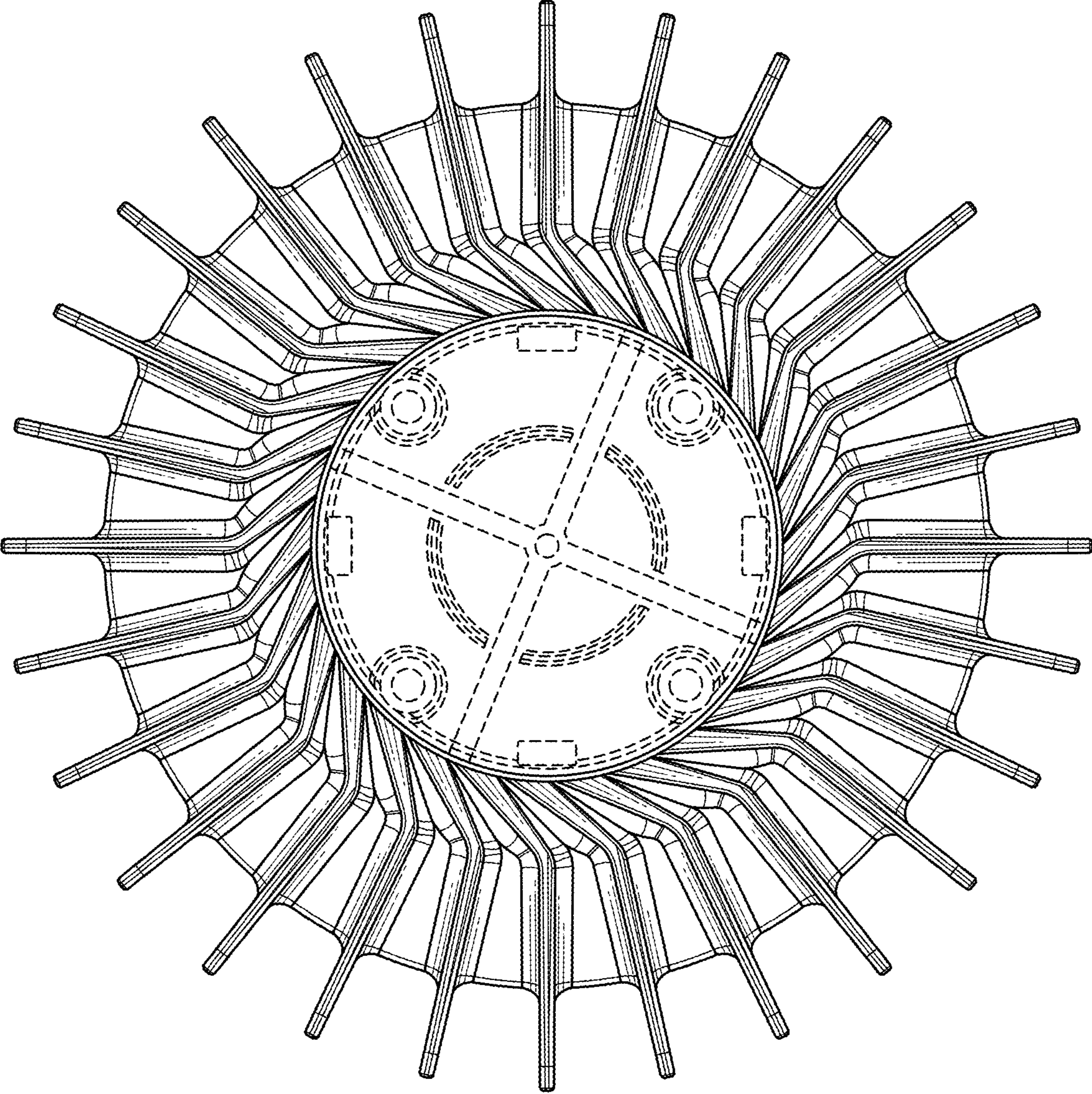


FIG. 3

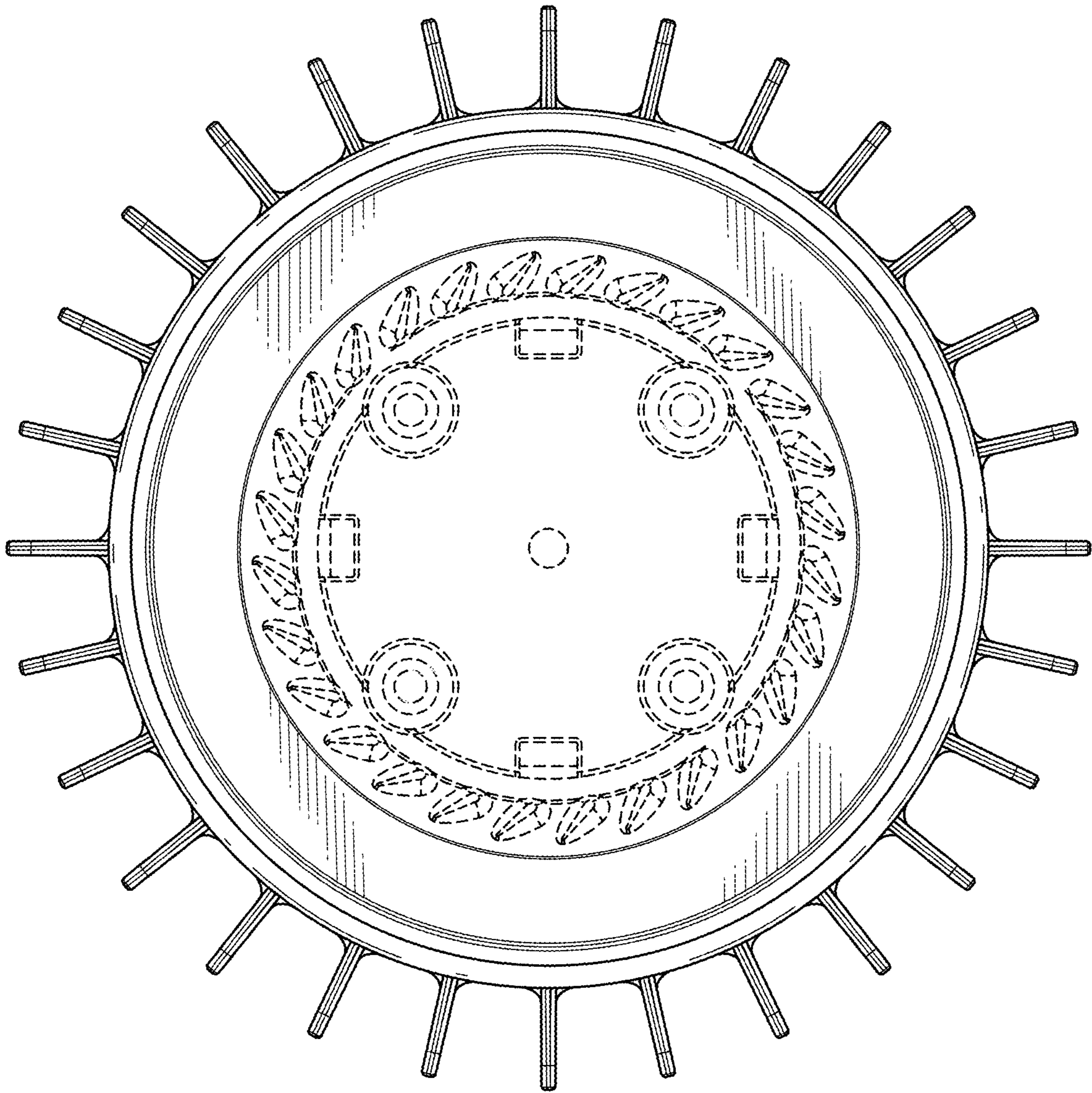


FIG. 4

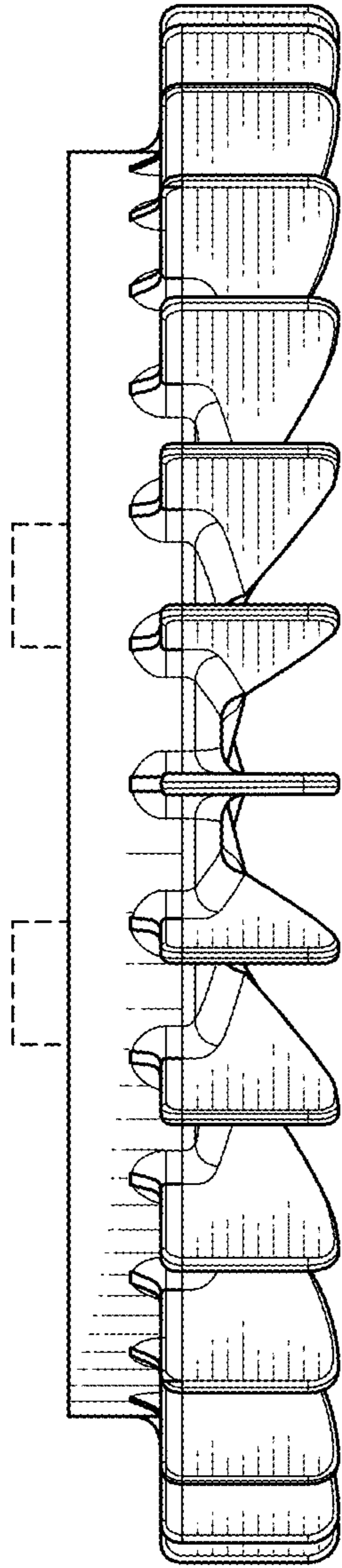


FIG. 5

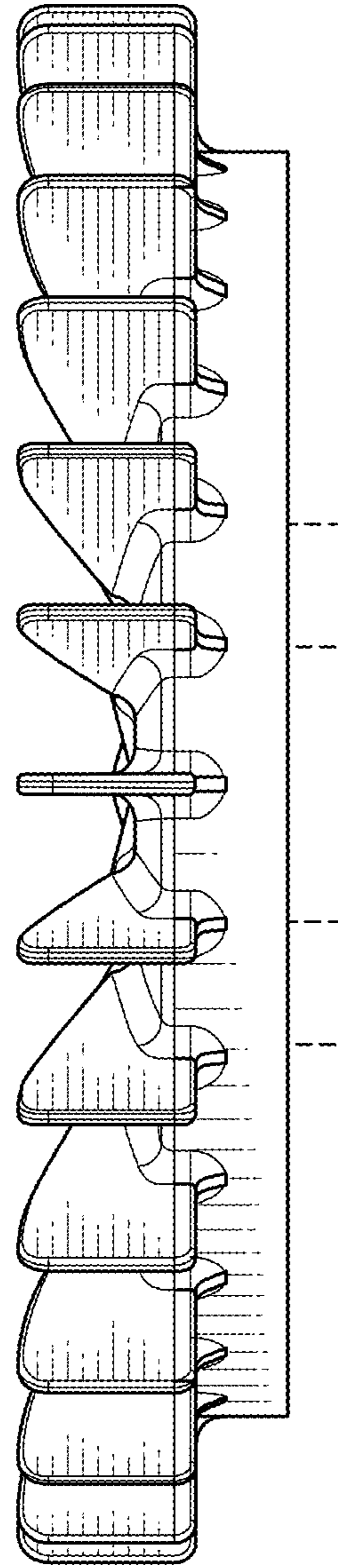


FIG. 6

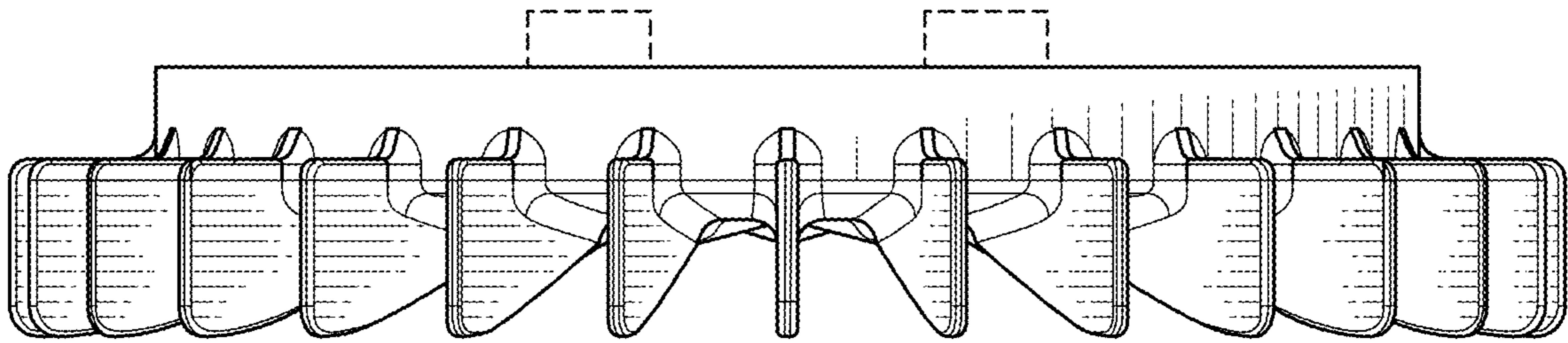


FIG. 7

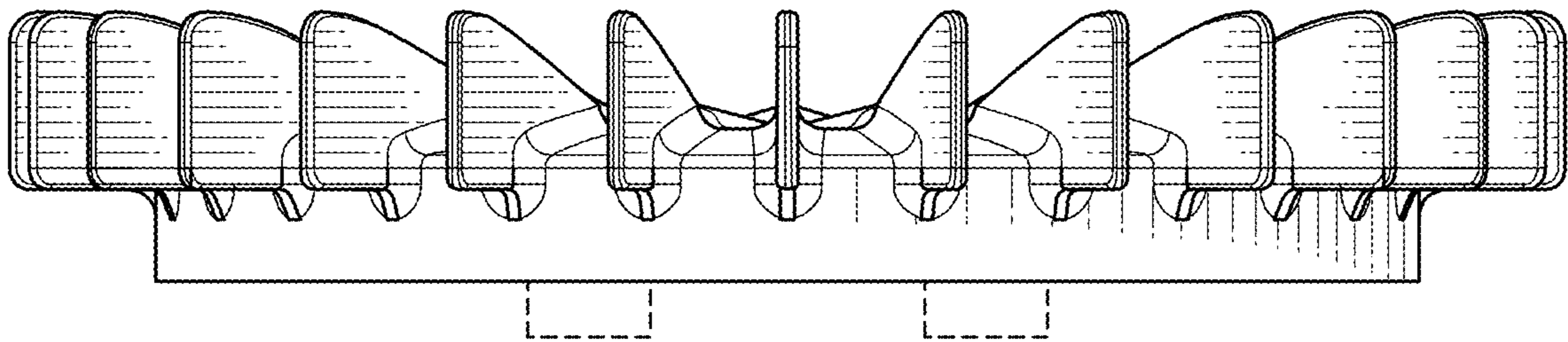


FIG. 8