



US00D930989S

(12) **United States Design Patent** (10) **Patent No.:** **US D930,989 S**
Albay et al. (45) **Date of Patent:** **** Sep. 21, 2021**

(54) **HANDLE FOR ELECTRIC TOOTHBRUSH**

(71) Applicant: **Braun GmbH**, Kronberg (DE)

(72) Inventors: **Devran Albay**, Frankfurt (DE); **Moritz Carlo Honisch**, Frankfurt (DE); **Dominik Langhammer**, Frankfurt (DE); **Peter Charles Mason, Jr.**, Maineville, OH (US)

(73) Assignee: **Braun GmbH**, Kronberg (DE)

(**) Term: **15 Years**

(21) Appl. No.: **29/757,213**

(22) Filed: **Nov. 4, 2020**

Related U.S. Application Data

(62) Division of application No. 29/687,962, filed on Oct. 18, 2018, now Pat. No. Des. 912,989.

(30) **Foreign Application Priority Data**

Oct. 18, 2018 (WO) 9332401

(51) **LOC (13) Cl.** **28-03**

(52) **U.S. Cl.**
USPC **D4/101**

(58) **Field of Classification Search**
USPC D4/100, 101, 102, 104, 105, 106, 107,
D4/108, 109, 110, 111, 112, 113, 114,
D4/115, 116, 119, 130, 132, 133, 134,
D4/136, 137, 138, 199
CPC ... A46B 2200/1066; A46B 5/02; A61C 17/16;
A61C 17/22

See application file for complete search history.

(56) **References Cited**

U.S. PATENT DOCUMENTS

7,520,016 B2 * 4/2009 Kressner A46B 9/04
15/22.1
D749,851 S * 2/2016 Watkins D4/101

D801,696 S * 11/2017 McGarry D4/101
9,865,184 B2 * 1/2018 Jungnickel G09F 23/0075
D844,995 S * 4/2019 Wong D4/101
D861,351 S * 10/2019 Albay D4/101
D874,830 S * 2/2020 Choi D4/101
D884,351 S * 5/2020 Albay D4/101
D884,354 S * 5/2020 Albay D4/101
D890,528 S * 7/2020 Albay D4/101
D912,989 S 3/2021 Albay et al.
2021/0145539 A1 * 5/2021 Greve A61H 99/00

FOREIGN PATENT DOCUMENTS

EM 003175470-0002 12/2016
EM 004362952-0001 3/2018
JP 1620904 S 12/2018

OTHER PUBLICATIONS

“All Office Actions, U.S. Appl. No. 29/687,962”.
“All Office Actions, U.S. Appl. No. 29/757,207”.

* cited by examiner

Primary Examiner — Karen E Eldridge Powers
(74) *Attorney, Agent, or Firm* — Vladimir Vitenberg

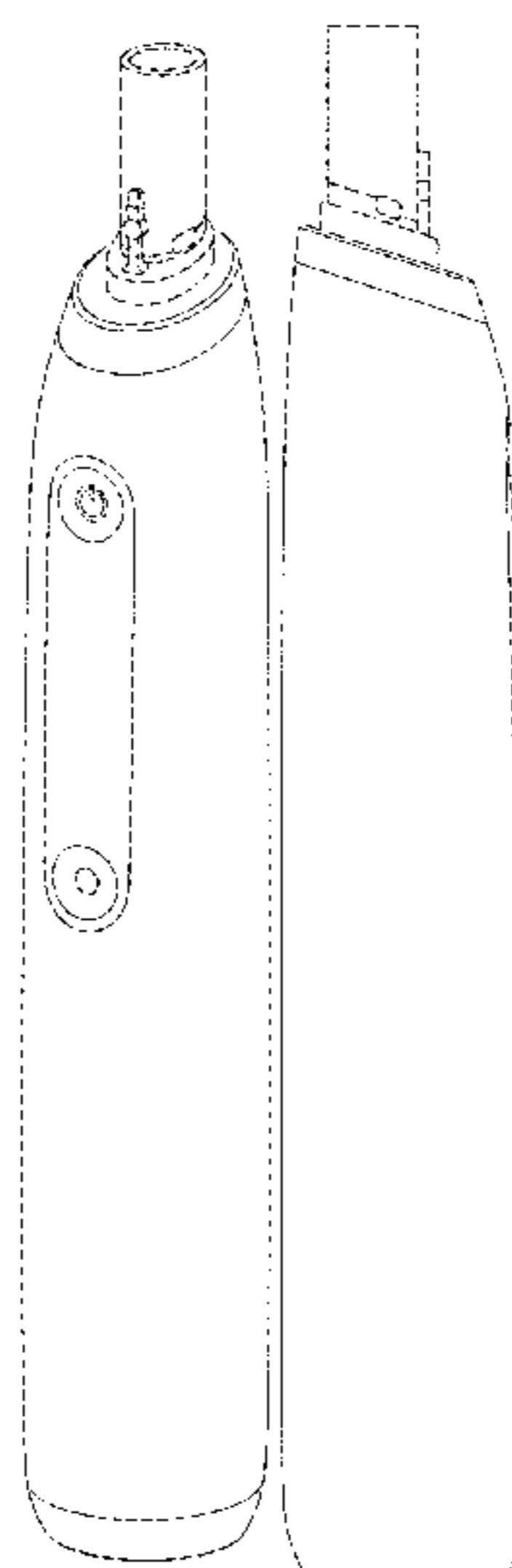
(57) **CLAIM**

The ornamental design for a handle for electric toothbrush, as shown and described.

DESCRIPTION

FIG. 1 is a perspective view of an embodiment of a handle for electric toothbrush;
FIG. 2 is a front elevation view thereof;
FIG. 3 is a right-side elevation view thereof;
FIG. 4 is a rear elevation view thereof;
FIG. 5 is a left side elevation view thereof; and,
FIG. 6 is a top plan view thereof.
Broken lines are used in the drawings to designate environmental structures or parts of a handle for electric toothbrush that form no part of the claim.

1 Claim, 3 Drawing Sheets



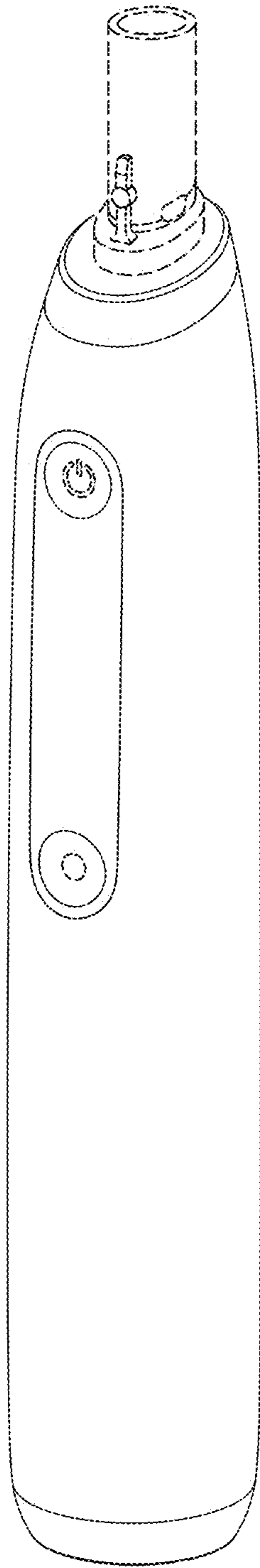


FIG. 1

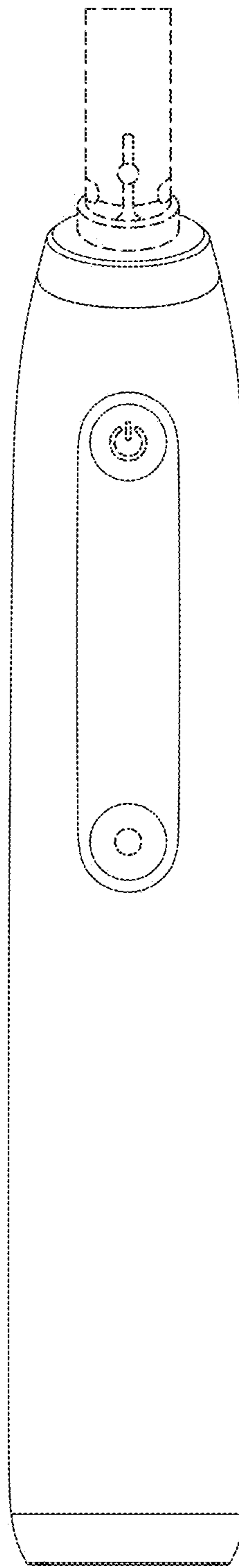


FIG. 2

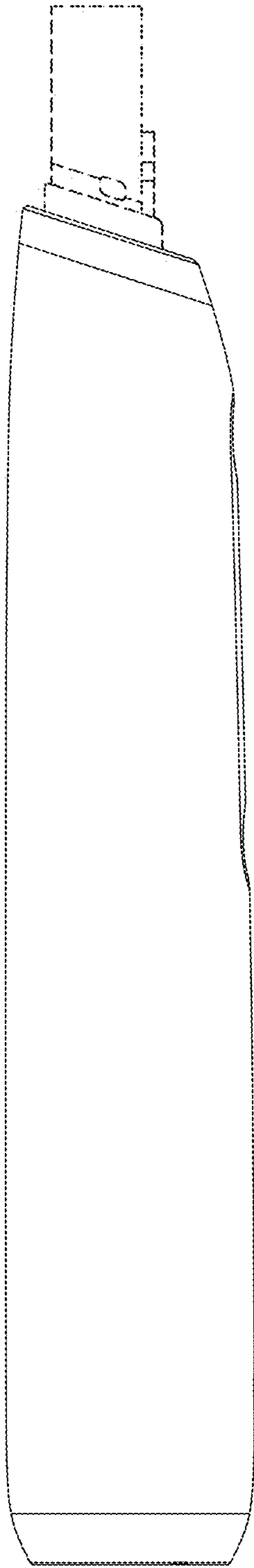


FIG. 3

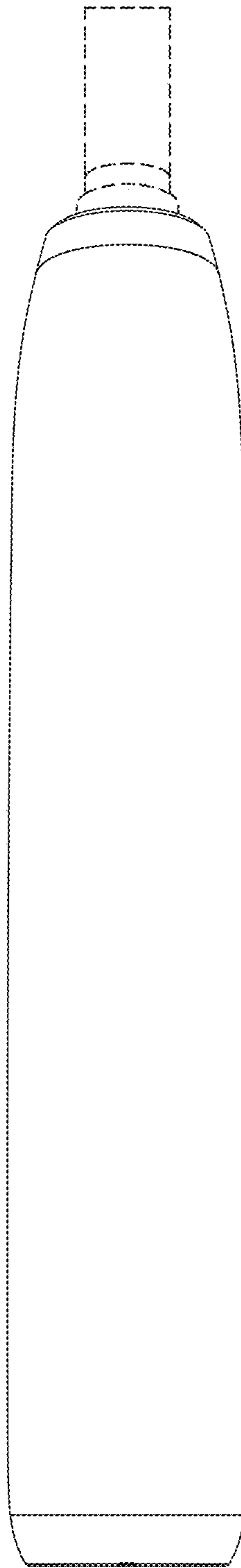


FIG. 4

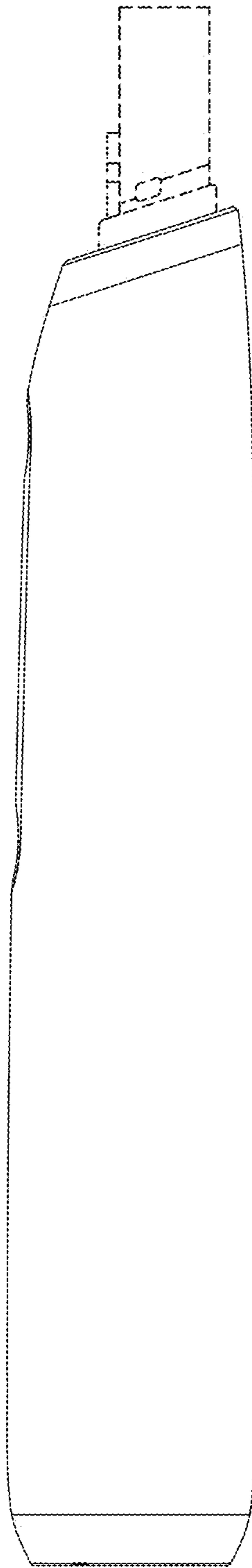


FIG. 5

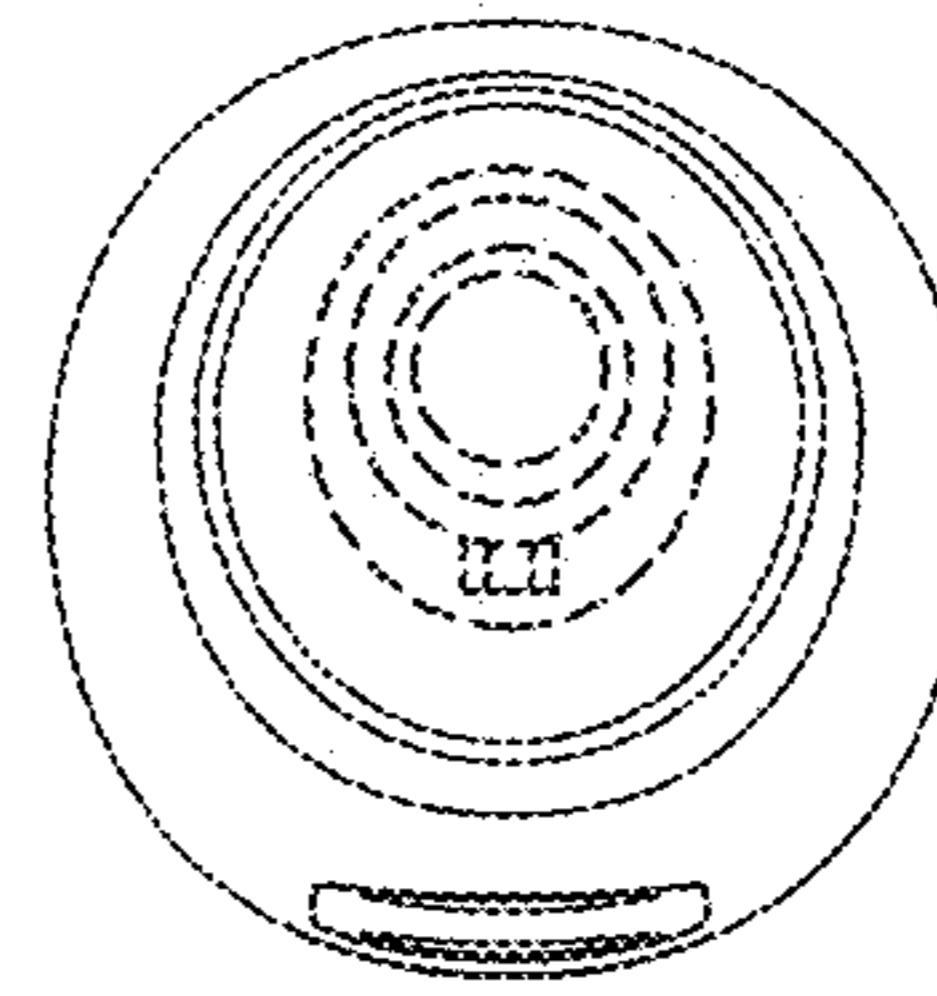


FIG. 6