



US00D930987S

(12) **United States Design Patent**
Zeng

(10) **Patent No.:** **US D930,987 S**

(45) **Date of Patent:** **** Sep. 21, 2021**

(54) **BRUSH HANDLE**

(71) Applicant: **Guangzhou Welltop Electronic Co., Ltd.**, Guangzhou (CN)

(72) Inventor: **Shiping Zeng**, Guangzhou (CN)

(73) Assignee: **Guangzhou Welltop Electronic Co., Ltd.**, Guangzhou (CN)

(**) Term: **15 Years**

(21) Appl. No.: **29/737,379**

(22) Filed: **Jun. 9, 2020**

(51) **LOC (13) Cl.** **28-03**

(52) **U.S. Cl.**
USPC **D4/100**

(58) **Field of Classification Search**
USPC D4/100, 102, 114, 115, 116, 117, 118, D4/119, 120, 121, 122, 123, 124, 125, D4/126, 127, 128, 129, 130, 131, 132, D4/133, 134, 135, 136, 137, 138, 199; D24/214, 215; D28/13, 63, 15, 18, 21, D28/24, 25, 30, 35; D30/158, 159; D26/49

CPC A46B 5/02; A46B 9/023; A46B 5/0095; A46B 15/003; A46B 15/0051; A46B 2200/104; A46B 2200/1006; A46B 7/06; A46B 13/02; B25G 3/02

See application file for complete search history.

(56) **References Cited**

U.S. PATENT DOCUMENTS

D395,722 S * 6/1998 Howard D26/49
D494,300 S * 8/2004 Wright D26/49
D726,369 S * 4/2015 Richmond D28/13
D731,116 S * 6/2015 Hefetz D28/7

D743,702 S * 11/2015 Harrington D4/138
D799,090 S * 10/2017 Green D26/49
D803,446 S * 11/2017 Green D26/49
D837,011 S * 1/2019 Sakamaki D8/70
D842,515 S * 3/2019 Qiu D26/49
D865,250 S * 10/2019 Qiu D26/49
10,562,173 B2 * 2/2020 Stewart A46B 5/0058
D904,032 S * 12/2020 Zeng D4/100
D905,308 S * 12/2020 Hong D26/49
D922,641 S * 6/2021 Hu D26/49
2018/0318989 A1 * 11/2018 Lin B25B 23/10

FOREIGN PATENT DOCUMENTS

JP D1519150 * 3/2015

* cited by examiner

Primary Examiner — Karen E Eldridge Powers

(74) *Attorney, Agent, or Firm* — Westbridge IP LLC

(57) **CLAIM**

The ornamental design for a brush handle, as shown and described.

DESCRIPTION

FIG. 1 is a front perspective view of a brush handle showing my new design;

FIG. 2 is a rear perspective view thereof;

FIG. 3 is a front elevational view thereof;

FIG. 4 is a rear elevational view thereof;

FIG. 5 is a left side view thereof;

FIG. 6 is a right side view thereof;

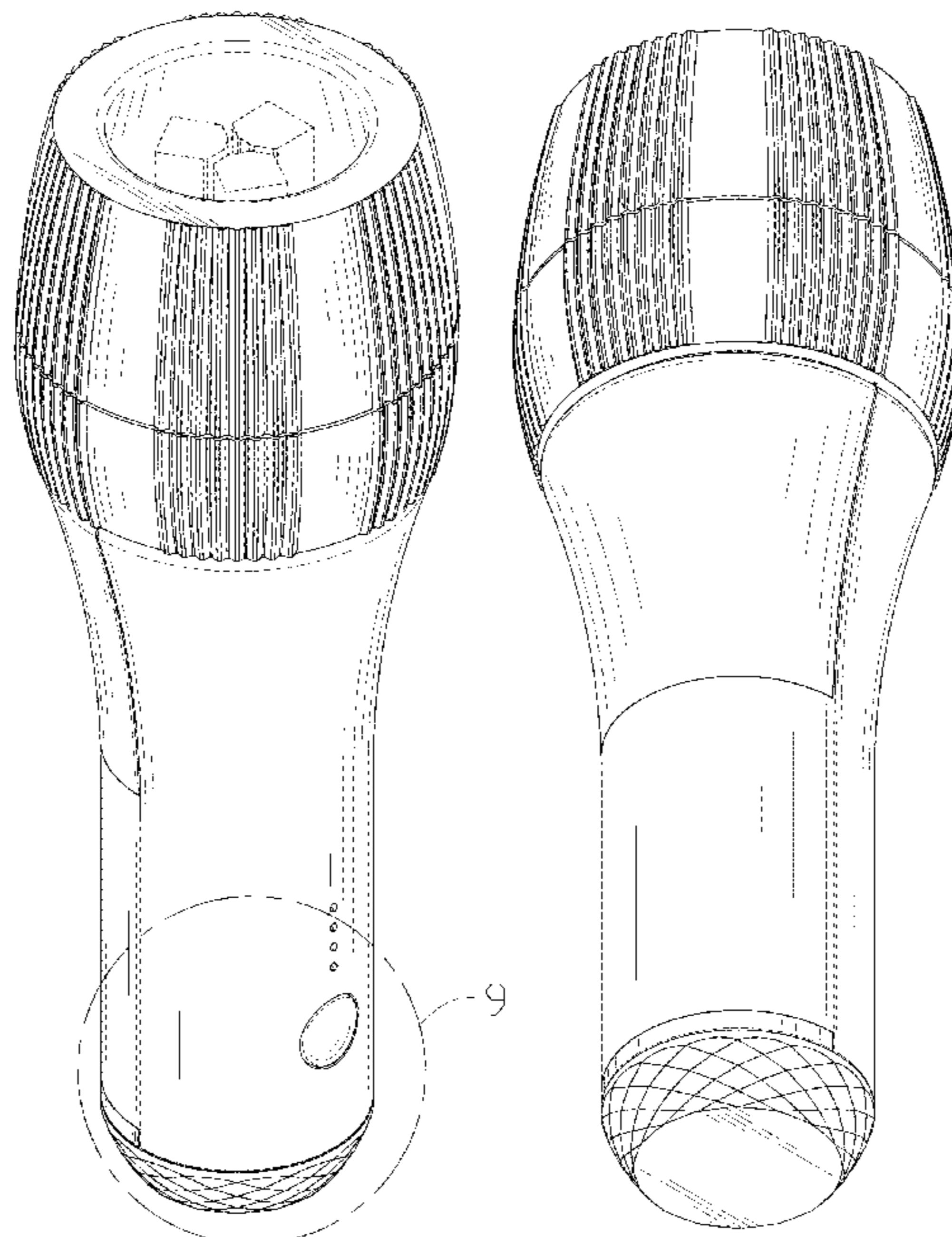
FIG. 7 is a top plan view thereof;

FIG. 8 is a bottom plan view thereof; and,

FIG. 9 is an enlarged view of portion 9 of FIG. 1.

The broken lines in the drawings illustrate the portions of the brush handle which form no part of the claimed design.

1 Claim, 9 Drawing Sheets



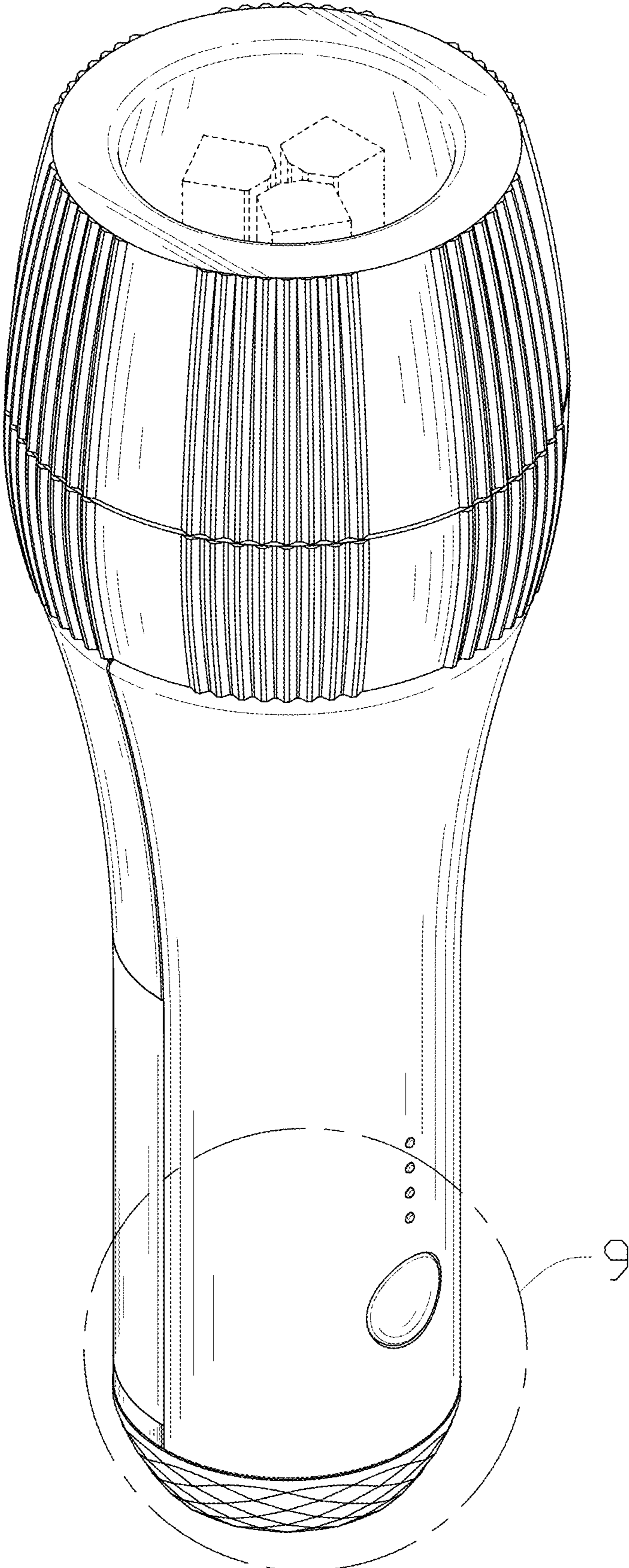


FIG. 1

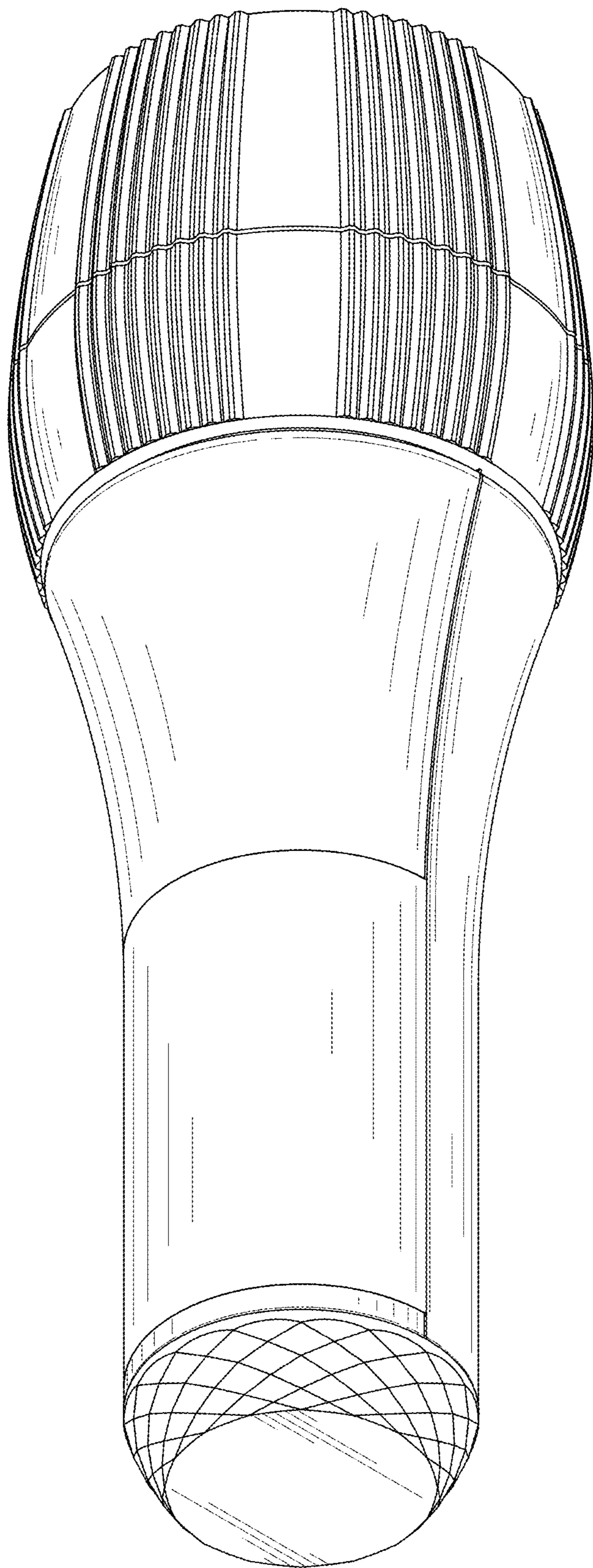


FIG. 2

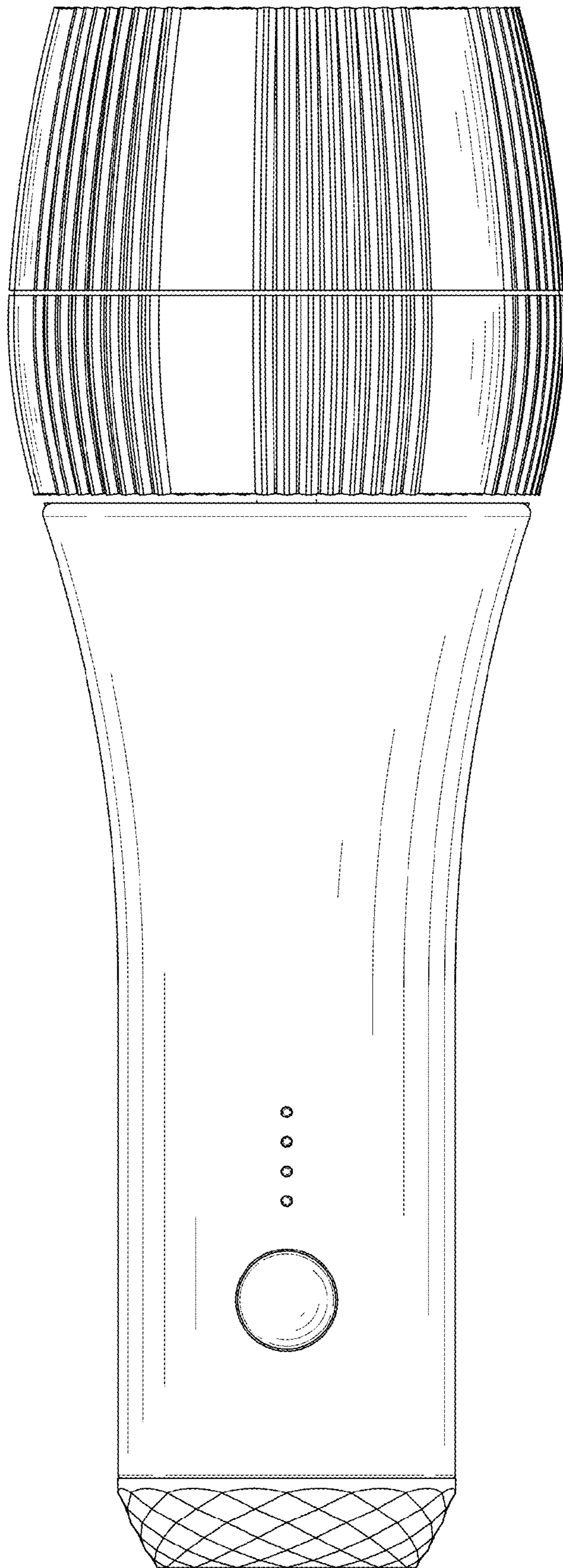


FIG. 3

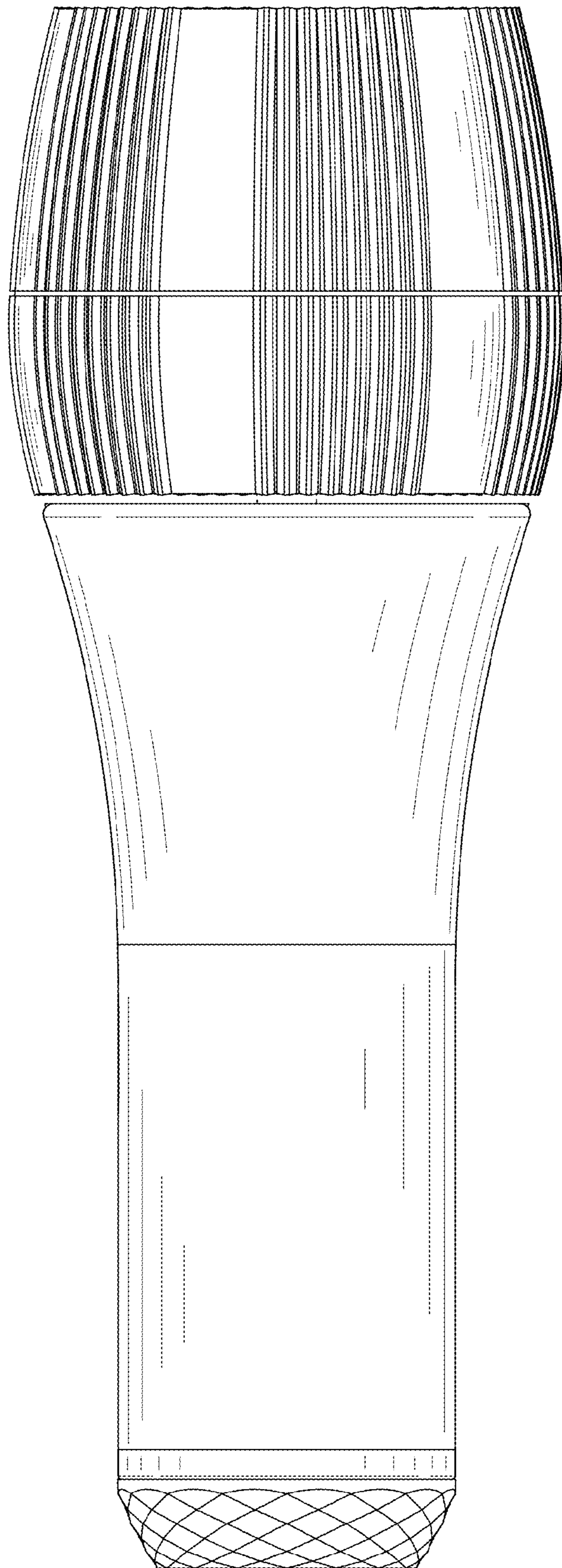


FIG. 4

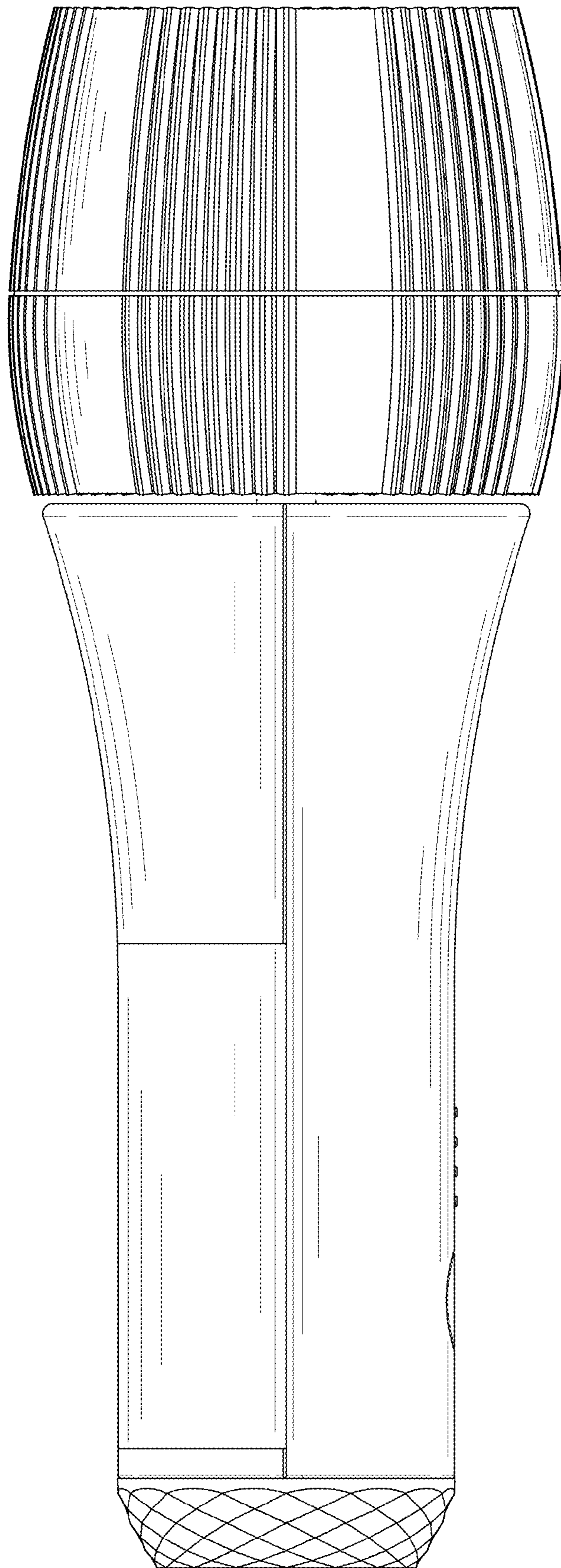


FIG. 5

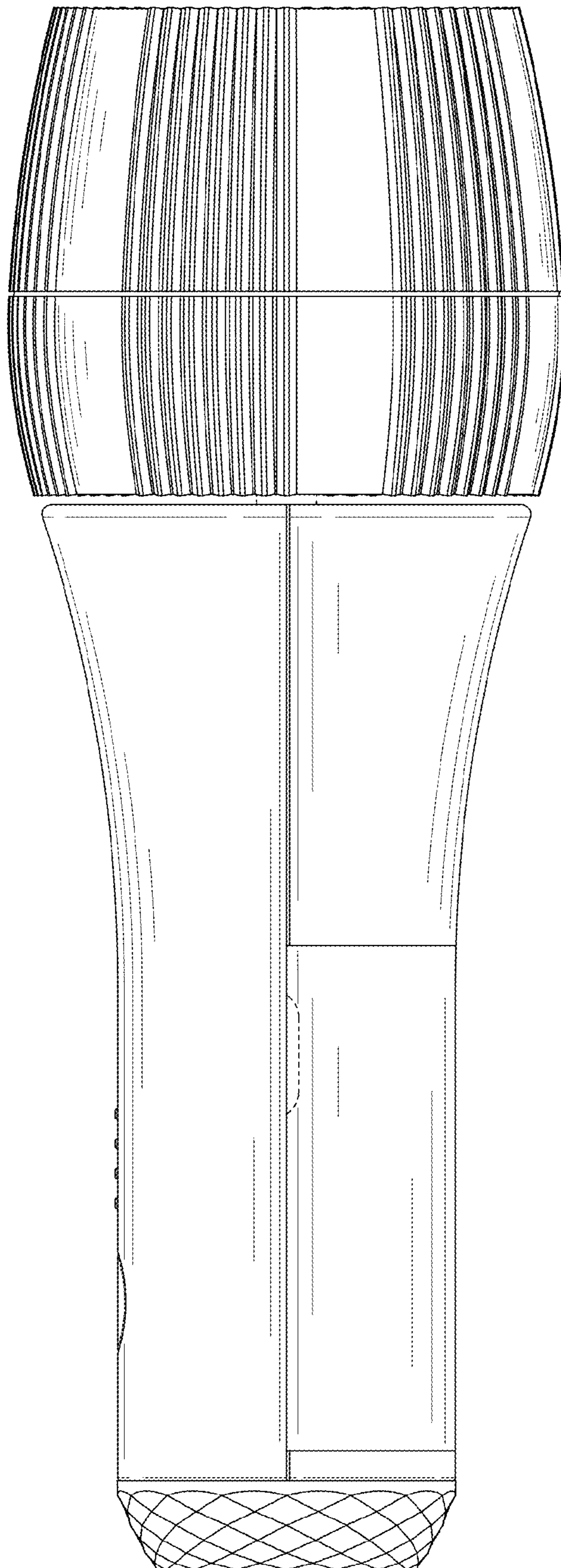


FIG. 6

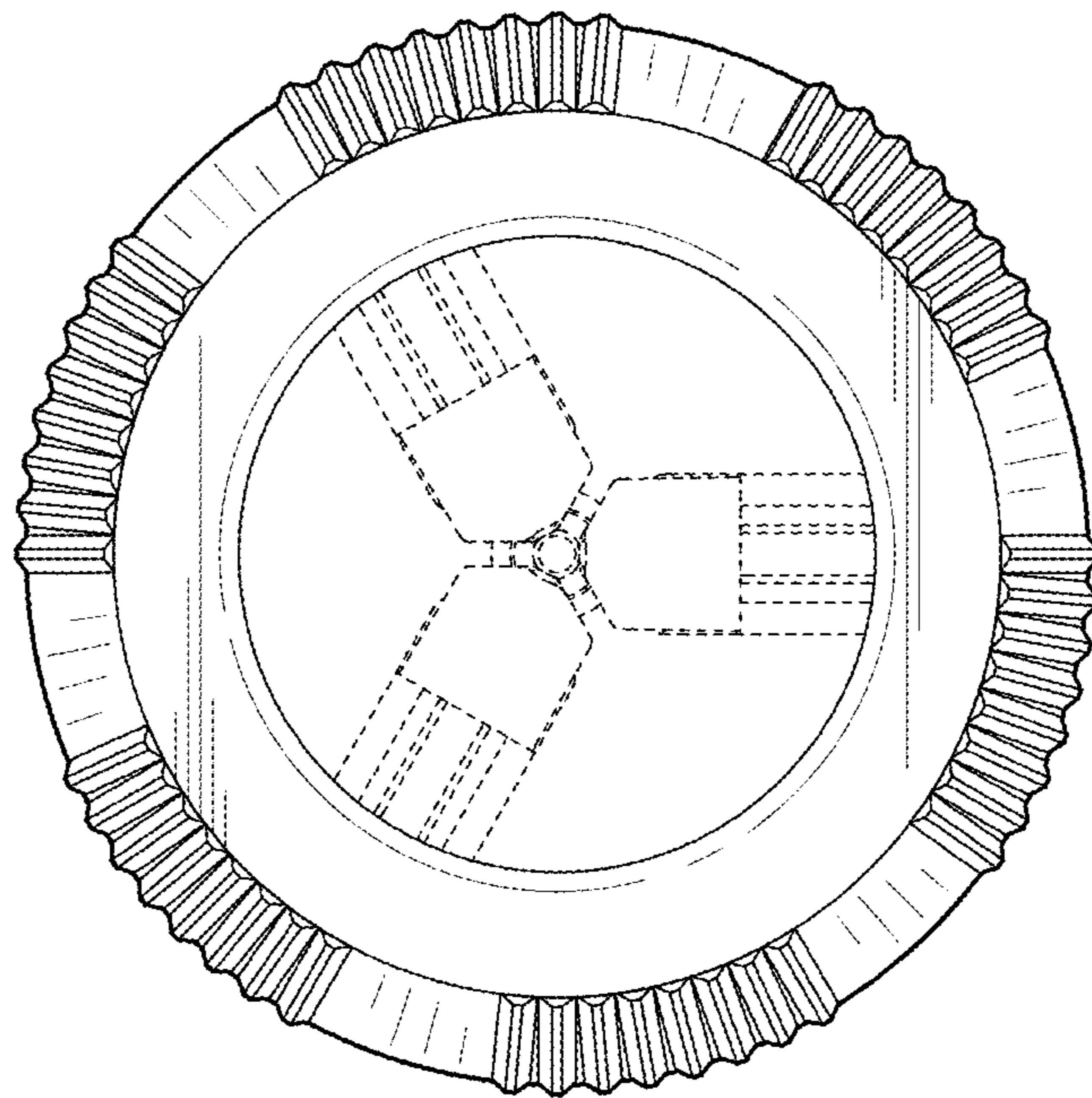


FIG. 7

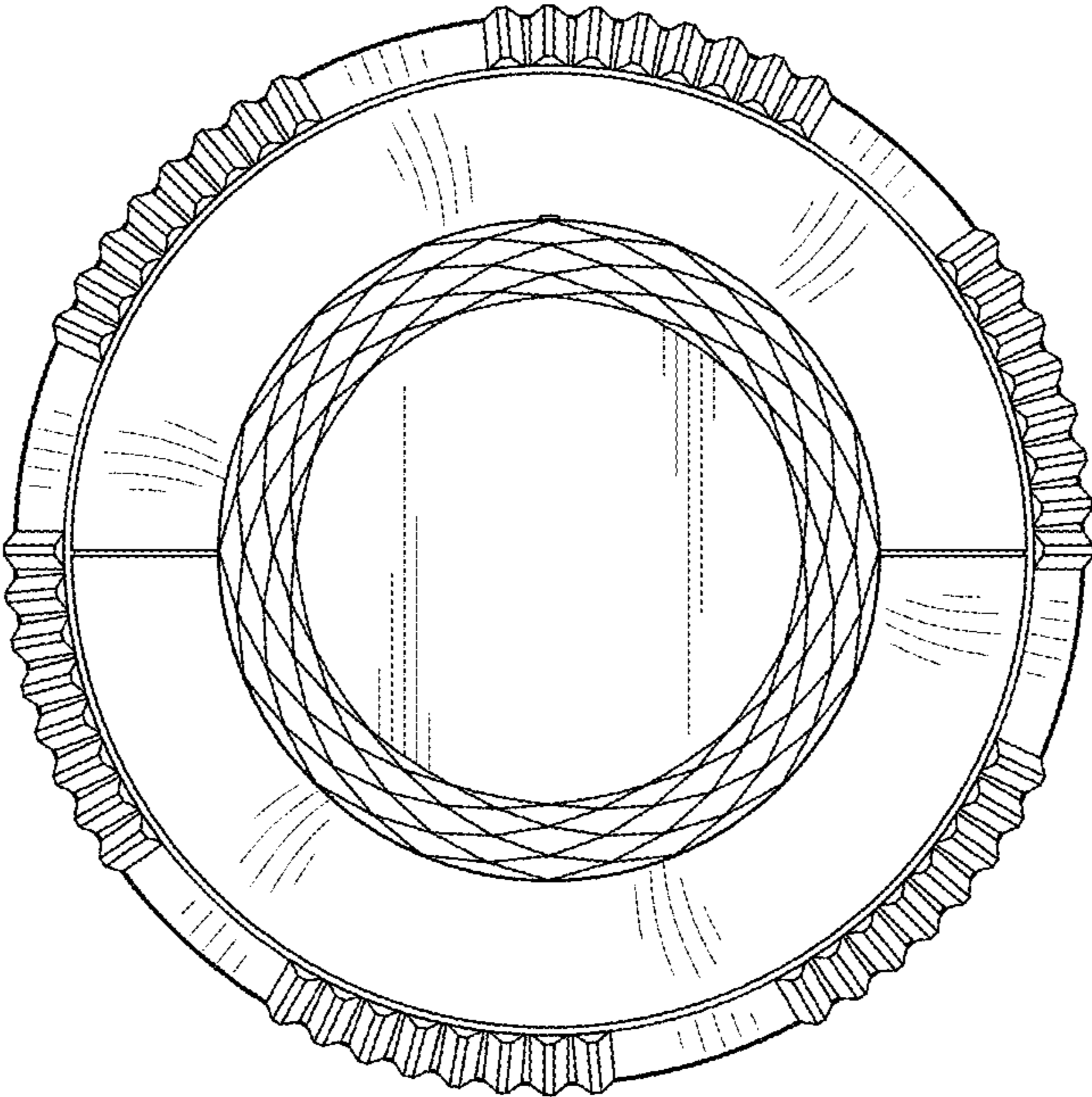


FIG. 8

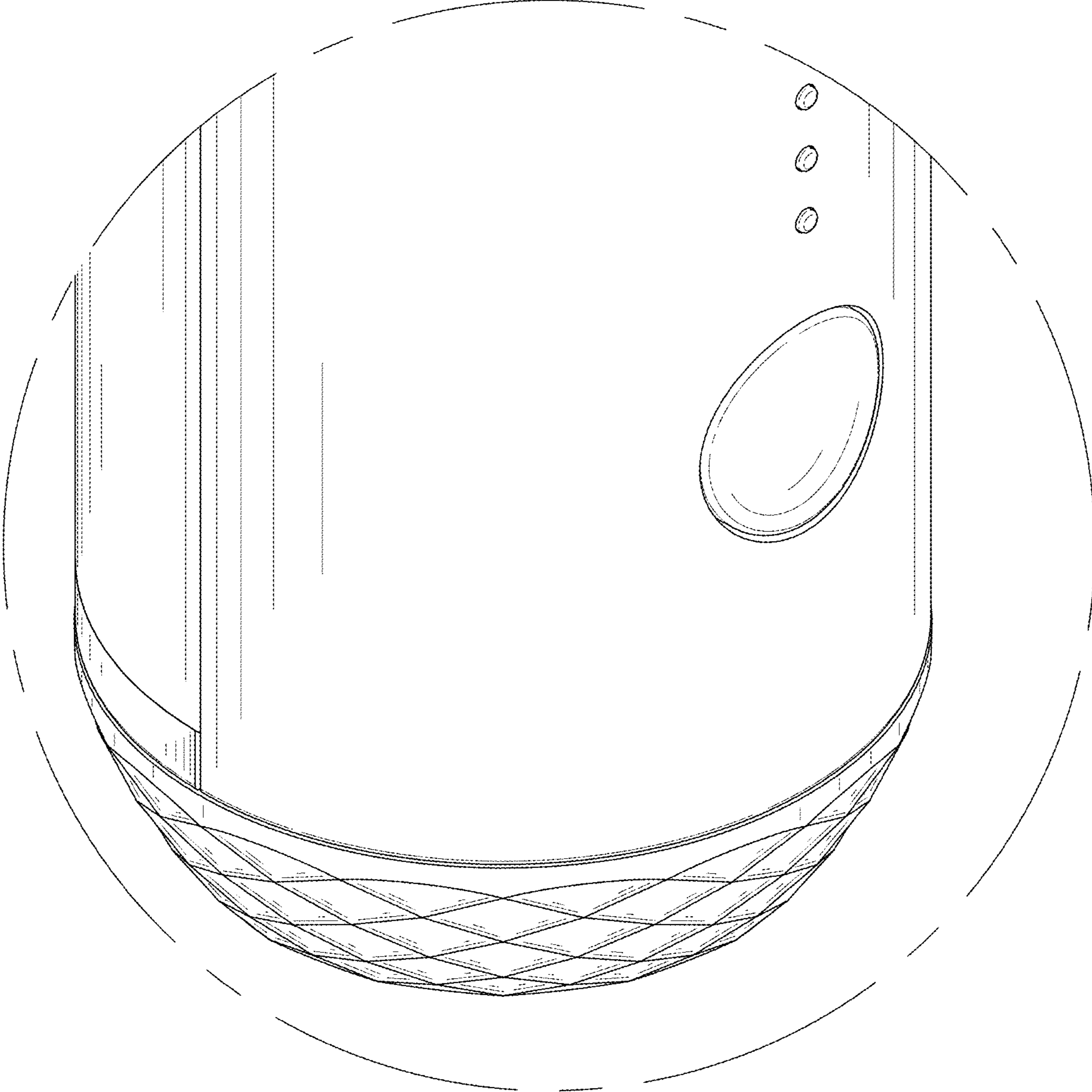


FIG. 9