



US00D930986S

(12) **United States Design Patent** (10) **Patent No.:** **US D930,986 S**  
**Azziz** (45) **Date of Patent:** **\*\* Sep. 21, 2021**

(54) **RECTANGULAR DUFFLE BAG**  
(71) Applicant: **Renae Azziz**, Indianapolis, IN (US)  
(72) Inventor: **Renae Azziz**, Indianapolis, IN (US)  
(\*\*) Term: **15 Years**  
(21) Appl. No.: **29/766,313**  
(22) Filed: **Jan. 14, 2021**  
(51) **LOC (13) Cl.** ..... **03-01**  
(52) **U.S. Cl.**  
USPC ..... **D3/321**  
(58) **Field of Classification Search**  
USPC ..... D3/232-233, 254, 272, 273, 276, 283,  
D3/286, 289, 318, 321-322, 902  
CPC ..... A45C 3/06; A45C 3/00; A45C 7/0077;  
A45C 2003/008; A45C 7/0059; A45F  
3/02  
See application file for complete search history.

(56) **References Cited**

U.S. PATENT DOCUMENTS

D257,651 S \* 12/1980 Katz ..... D3/283  
4,488,624 A \* 12/1984 Myers ..... A45C 3/00  
190/120  
D280,362 S \* 9/1985 Allen ..... D3/286  
D281,646 S \* 12/1985 Bomes ..... D3/286  
D285,748 S \* 9/1986 Feinberg ..... 190/103  
D304,264 S \* 10/1989 Peregrine ..... D3/289  
D314,276 S \* 2/1991 Nordstrom ..... D3/287  
D370,560 S \* 6/1996 Doerbaum ..... D3/254  
D405,265 S \* 2/1999 Chapelson ..... D3/303  
D416,680 S \* 11/1999 Latshaw ..... D3/283  
D466,291 S \* 12/2002 Ng ..... D3/254  
D509,959 S 9/2005 Nykoluk  
D575,059 S \* 8/2008 Cappiello ..... D3/283  
D688,457 S \* 8/2013 Harris ..... D3/285  
D688,458 S 8/2013 Harris  
D704,441 S 5/2014 Machuca

D732,824 S 6/2015 Tzortzis  
D758,075 S \* 6/2016 Quarry ..... D3/276  
D782,820 S 4/2017 Thompson  
D874,146 S \* 2/2020 Rogers ..... D3/301  
D881,571 S \* 4/2020 Wang ..... D3/289  
D888,425 S \* 6/2020 Wang ..... D3/287  
2006/0065500 A1 \* 3/2006 Herrig ..... A45C 7/0077  
190/107  
2008/0210727 A1 \* 9/2008 Gallaway ..... A45F 4/02  
224/575  
2011/0127132 A1 \* 6/2011 Fair ..... A45C 13/02  
190/110  
2015/0327646 A1 \* 11/2015 Chang ..... A45F 3/02  
150/110  
2018/0110310 A1 \* 4/2018 Chang ..... A45C 13/20

\* cited by examiner

*Primary Examiner* — Jennifer L Watkins  
*Assistant Examiner* — Samantha Lynne Brodowski  
(74) *Attorney, Agent, or Firm* — Johan Eide; Christopher Pilling; My Patent Guys

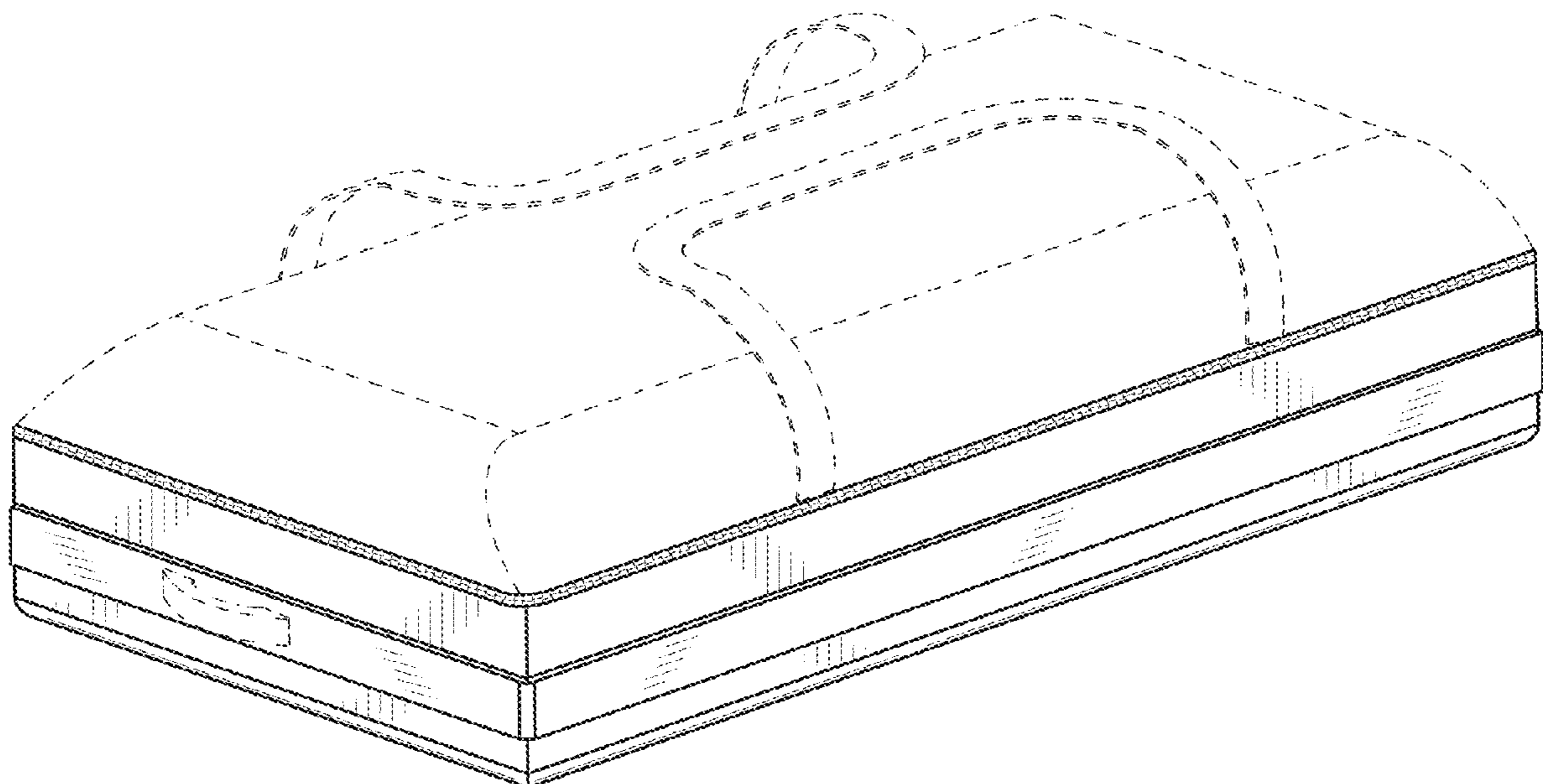
(57) **CLAIM**

An ornamental design for a rectangular duffle bag, as shown and described.

**DESCRIPTION**

FIG. 1 is a perspective view of a new design for a rectangular duffle bag;  
FIG. 2 is a rear view thereof;  
FIG. 3 is a front thereof;  
FIG. 4 is an enlarged right view thereof;  
FIG. 5 is an enlarged left view thereof;  
FIG. 6 is a top thereof; and,  
FIG. 7 is a bottom view thereof.  
The broken lines shown in the drawings depict portions of the rectangular duffle bag that form no part of the claimed design.

**1 Claim, 7 Drawing Sheets**



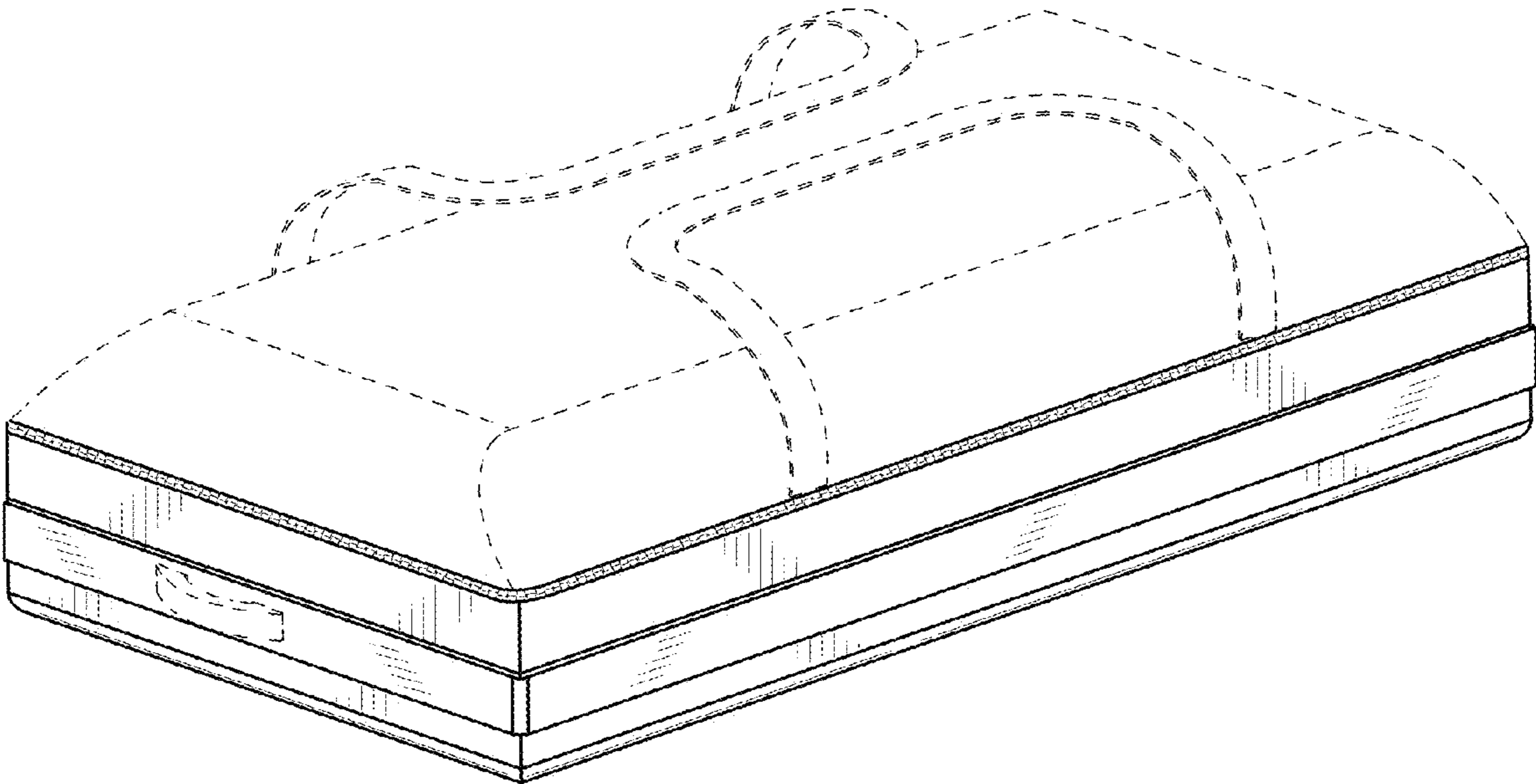


FIG. 1

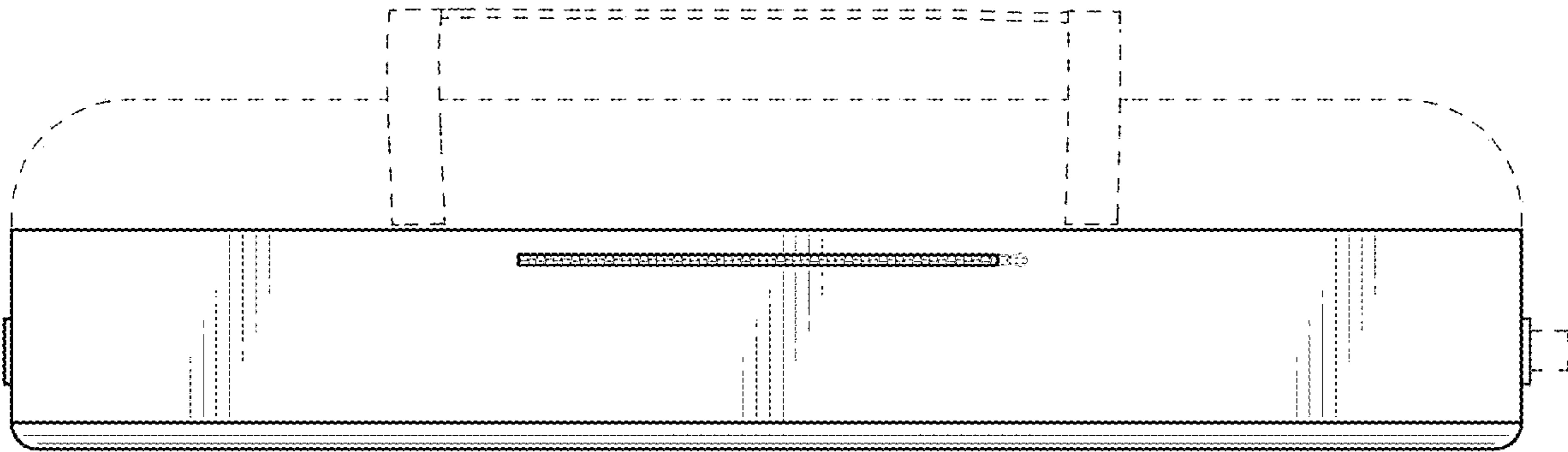


FIG. 2

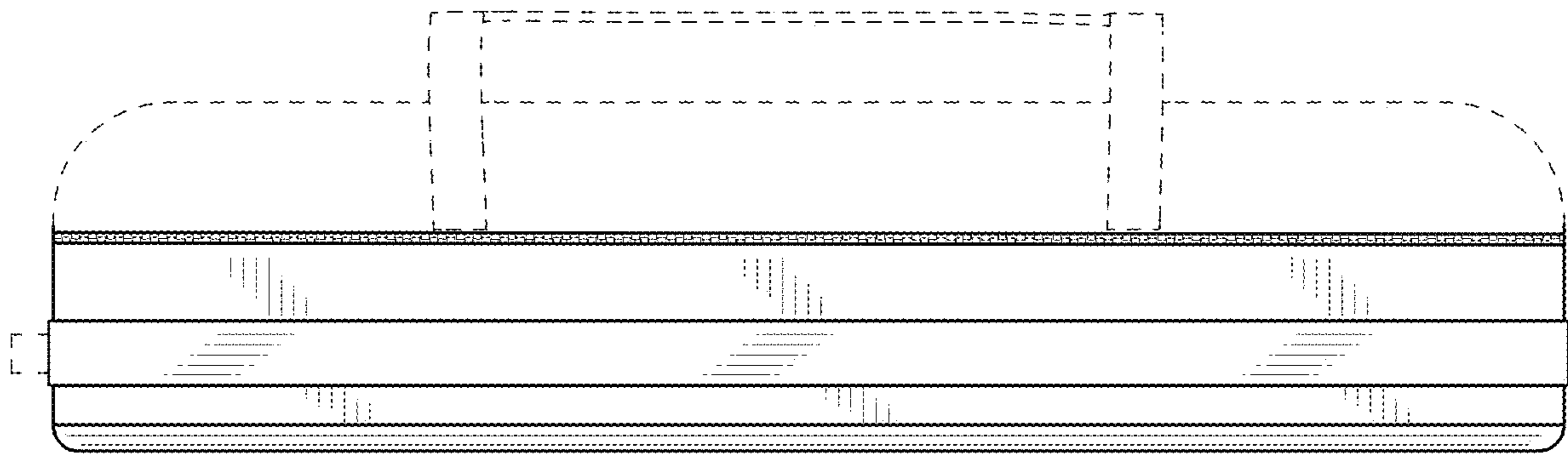


FIG. 3

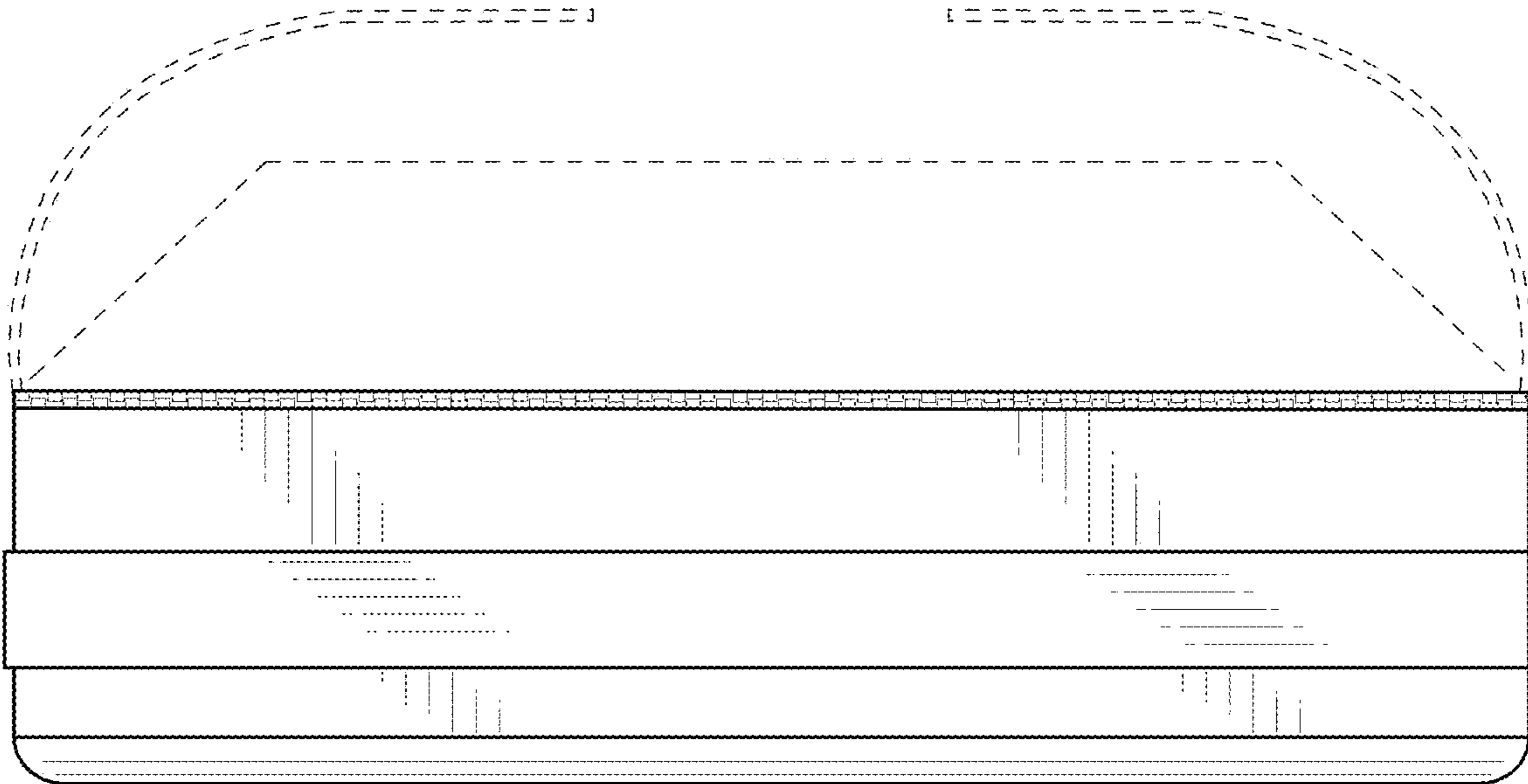


FIG. 4

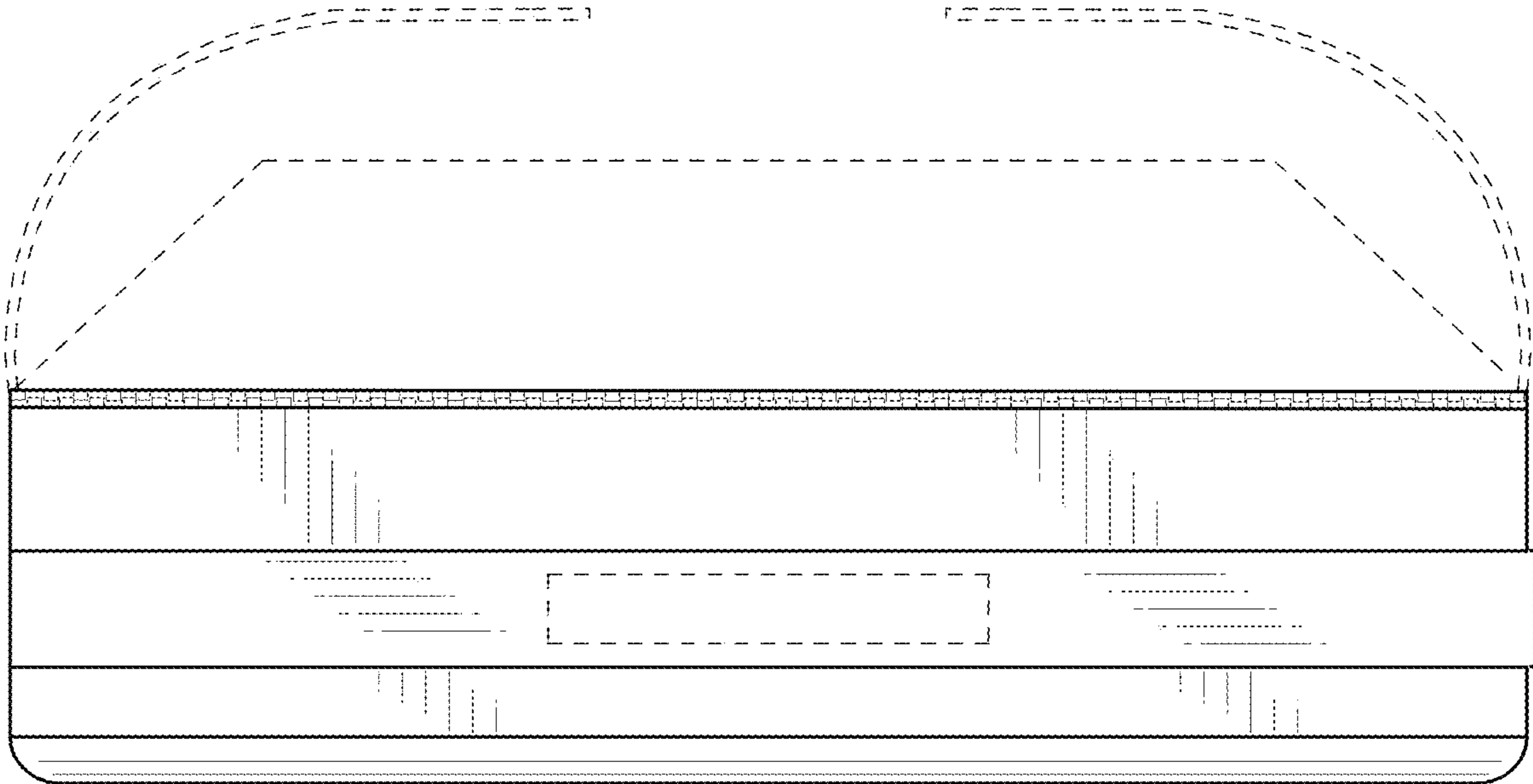


FIG. 5

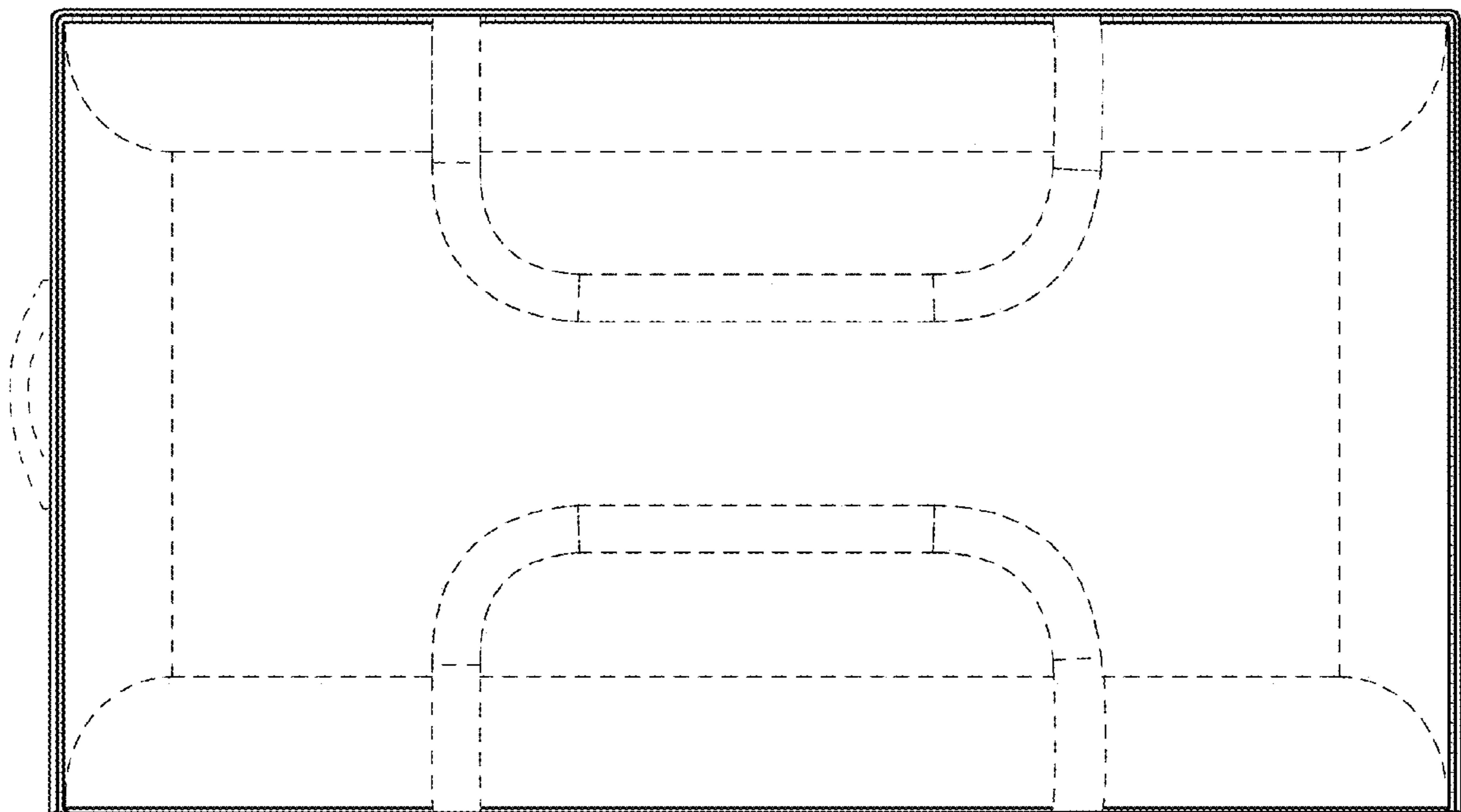


FIG. 6

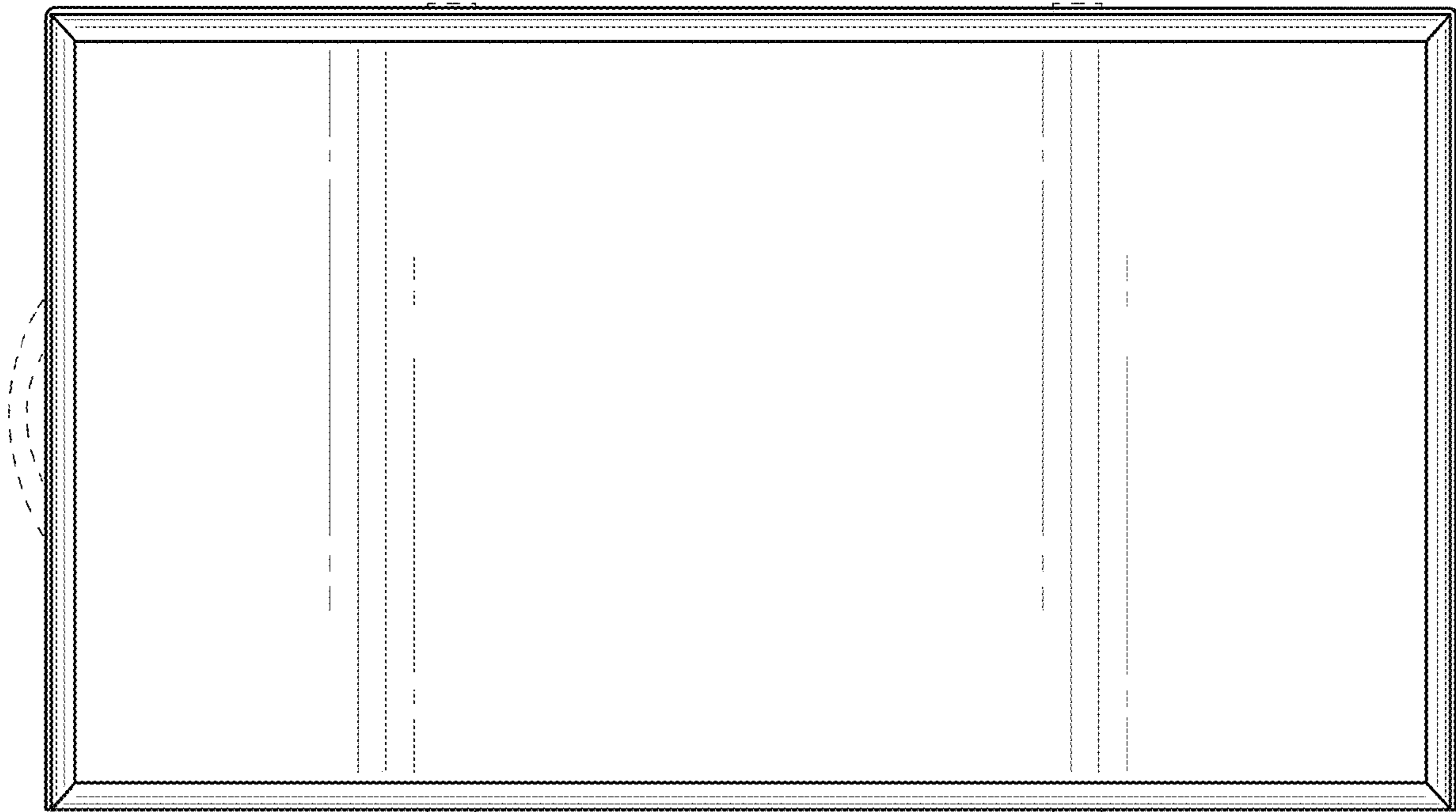


FIG. 7