

US00D930982S

(12) **United States Design Patent**  
**Woody**

(10) **Patent No.:** **US D930,982 S**

(45) **Date of Patent:** **\*\* Sep. 21, 2021**

(54) **ACCESSORY BAG**

(71) Applicant: **Jacqueline Mary Woody**, Orion, IL  
(US)

(72) Inventor: **Jacqueline Mary Woody**, Orion, IL  
(US)

(\*\*) Term: **15 Years**

(21) Appl. No.: **29/719,117**

(22) Filed: **Dec. 31, 2019**

(51) **LOC (13) Cl.** ..... **03-01**

(52) **U.S. Cl.**

USPC ..... **D3/299**; D3/276

(58) **Field of Classification Search**

USPC ..... D3/203.1–203.3, 203.6, 205–206, 226,  
D3/228, 273–274, 276, 281–291,  
D3/293–304, 313, 901, 903, 905;  
D28/73, 76

CPC ..... B01L 3/0585; B01L 9/06; B65D 1/00;  
B65D 1/34; B65D 1/36; B65D 85/00;  
A45D 44/18; A61B 50/33; A61B 50/34;  
A45C 3/00; A45C 3/004; A45C 5/00;  
A45C 5/04; A45C 5/14; A45C 5/005;  
A45C 7/0095; A45C 9/00; A45C 11/00;  
A45C 11/008; A45C 11/16; A45C 11/26;  
A45C 13/02; A45C 15/04; A45C  
2003/008; A45C 2011/007; A45F 3/04;  
A45F 3/047; A45F 3/10; A45F 3/14;  
A45F 4/02; A45F 4/08; A45F 2200/05;  
A45F 2200/0525; B25H 3/00; B25H  
3/02; B25H 3/003; B25H 3/006; B25H  
3/023; B25H 3/028

See application file for complete search history.

(56) **References Cited**

**U.S. PATENT DOCUMENTS**

1,980,714 A \* 11/1934 Brady ..... A45C 13/02  
190/109  
D294,757 S \* 3/1988 Kahane ..... D3/244

D332,697 S \* 1/1993 Schildkraut ..... D3/303  
D362,748 S \* 10/1995 Schildkraut ..... D3/20  
5,743,649 A \* 4/1998 Gonzalez ..... A45C 3/00  
383/39  
D627,163 S \* 11/2010 Kittrell ..... D3/283  
(Continued)

**FOREIGN PATENT DOCUMENTS**

CN 304708027 \* 7/2018  
KR 300703304.0000 \* 8/2013

**OTHER PUBLICATIONS**

Hanging Accessory Roll—Purple, unknown first available date, dreamduffel.com [online], [site visited Jan. 28, 2021], Available at internet URL: <https://www.dreamduffel.com/hanging-accessory-roll-purple> (Year: 2021).\*

(Continued)

*Primary Examiner* — Jeffrey D Asch  
*Assistant Examiner* — Caitlin A Laverty

(74) *Attorney, Agent, or Firm* — Carson Patents; Gregory D Carson

(57) **CLAIM**

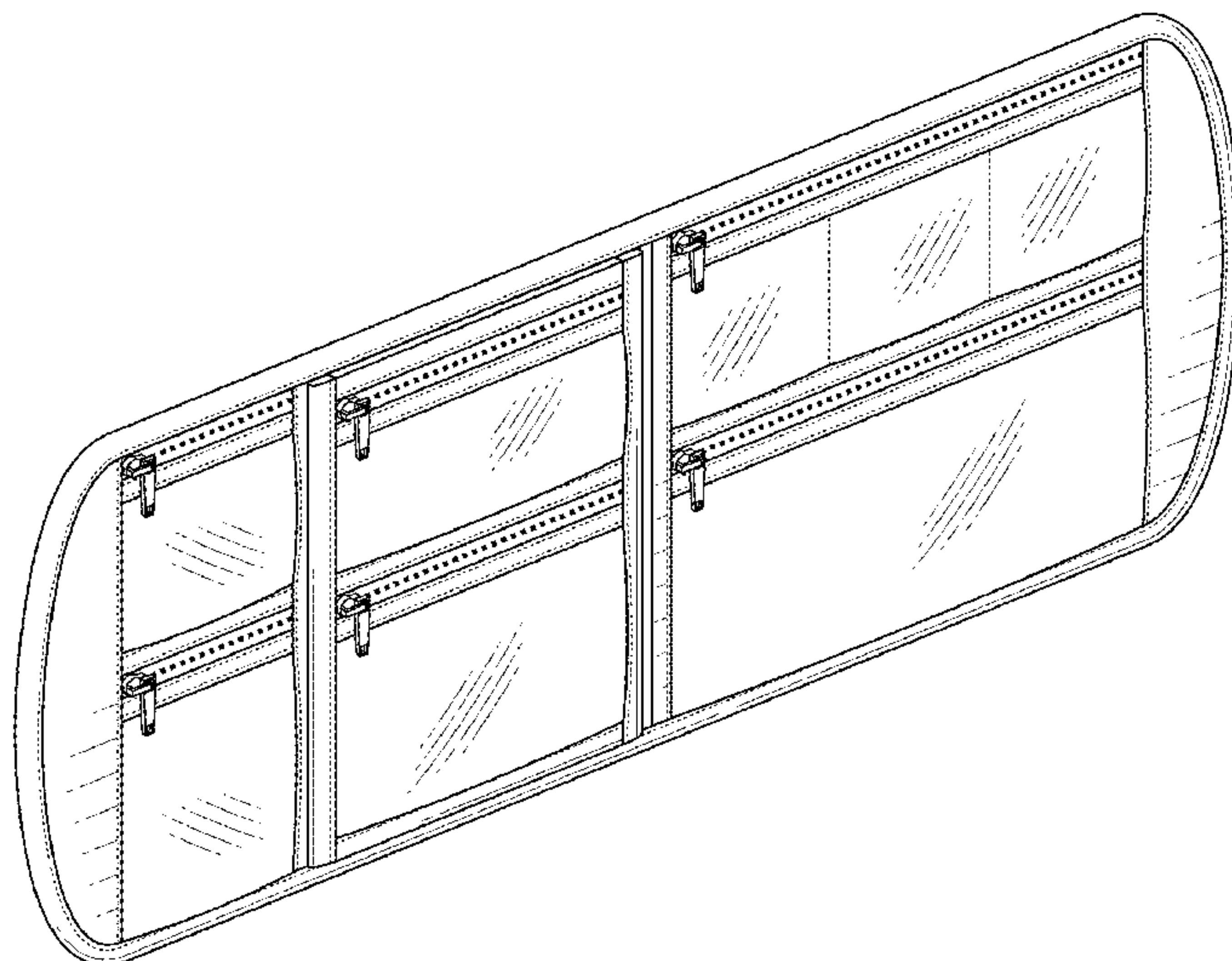
The ornamental design for an accessory bag, as shown and described.

**DESCRIPTION**

FIG. 1 is a front perspective view of the accessory bag.  
FIG. 2 is the front view of the accessory bag.  
FIG. 3 is the back view of the accessory bag.  
FIG. 4 is the left side view of the accessory bag.  
FIG. 5 is the right side view of the accessory bag.  
FIG. 6 is the top view of the accessory bag.  
FIG. 7 is the bottom view of the accessory bag; and,  
FIG. 8 is a rear perspective view of the accessory bag.  
The broken lines showing stitching and zippers are included in the claimed design.

The Accessory Bag is capable of being folded over.

**1 Claim, 6 Drawing Sheets**



(56)

References Cited

U.S. PATENT DOCUMENTS

D627,167 S \* 11/2010 Kittrell ..... D3/299  
 D669,267 S \* 10/2012 Mecchella ..... D3/289  
 D679,091 S \* 4/2013 Zidlick ..... D3/289  
 D727,026 S \* 4/2015 Benn ..... D3/299  
 D790,847 S \* 7/2017 Tappeiner ..... D3/205  
 D831,354 S \* 10/2018 McBride ..... D3/299  
 D843,112 S \* 3/2019 Murray ..... D3/313  
 D901,874 S \* 11/2020 Reaux ..... D3/203.1  
 10,893,730 B2 \* 1/2021 Adler ..... A45C 7/0095  
 2003/0089749 A1 \* 5/2003 Valdez-Campbell .....  
 A45C 7/0095  
 224/153  
 2004/0188204 A1 \* 9/2004 Wilkins-Langie ... A45C 7/0095  
 190/111  
 2005/0011793 A1 \* 1/2005 Sapyta ..... A45C 13/02  
 206/459.5  
 2006/0260046 A1 \* 11/2006 Landay ..... A47G 9/086  
 5/413 R

2009/0127045 A1 \* 5/2009 Williams ..... A45C 7/0059  
 190/107  
 2014/0209493 A1 \* 7/2014 Hale ..... A45C 3/004  
 206/281  
 2015/0289619 A1 \* 10/2015 Cogan ..... A45C 3/004  
 190/109  
 2018/0242716 A1 \* 8/2018 Calabrese ..... A45C 11/00  
 2020/0139535 A1 \* 5/2020 Frazier ..... B25H 3/00  
 2020/0368084 A1 \* 11/2020 Melling ..... A61F 5/3738  
 2021/0037938 A1 \* 2/2021 Landau ..... A45C 11/16

OTHER PUBLICATIONS

Barrel Accessory Roll, unknown first available date, northwater.com [online], [site visited Jan. 28, 2021], Available at internet URL: <https://northwater.com/products/barrel-accessory-roll> (Year: 2021).\*  
 Linus Market Bag, available in 2018 (customer reviews), linusbike.com [online], [site visited Jan. 28, 2021], Available at internet URL: <https://www.linusbike.com/products/the-market-bag> (Year: 2018).\*

\* cited by examiner

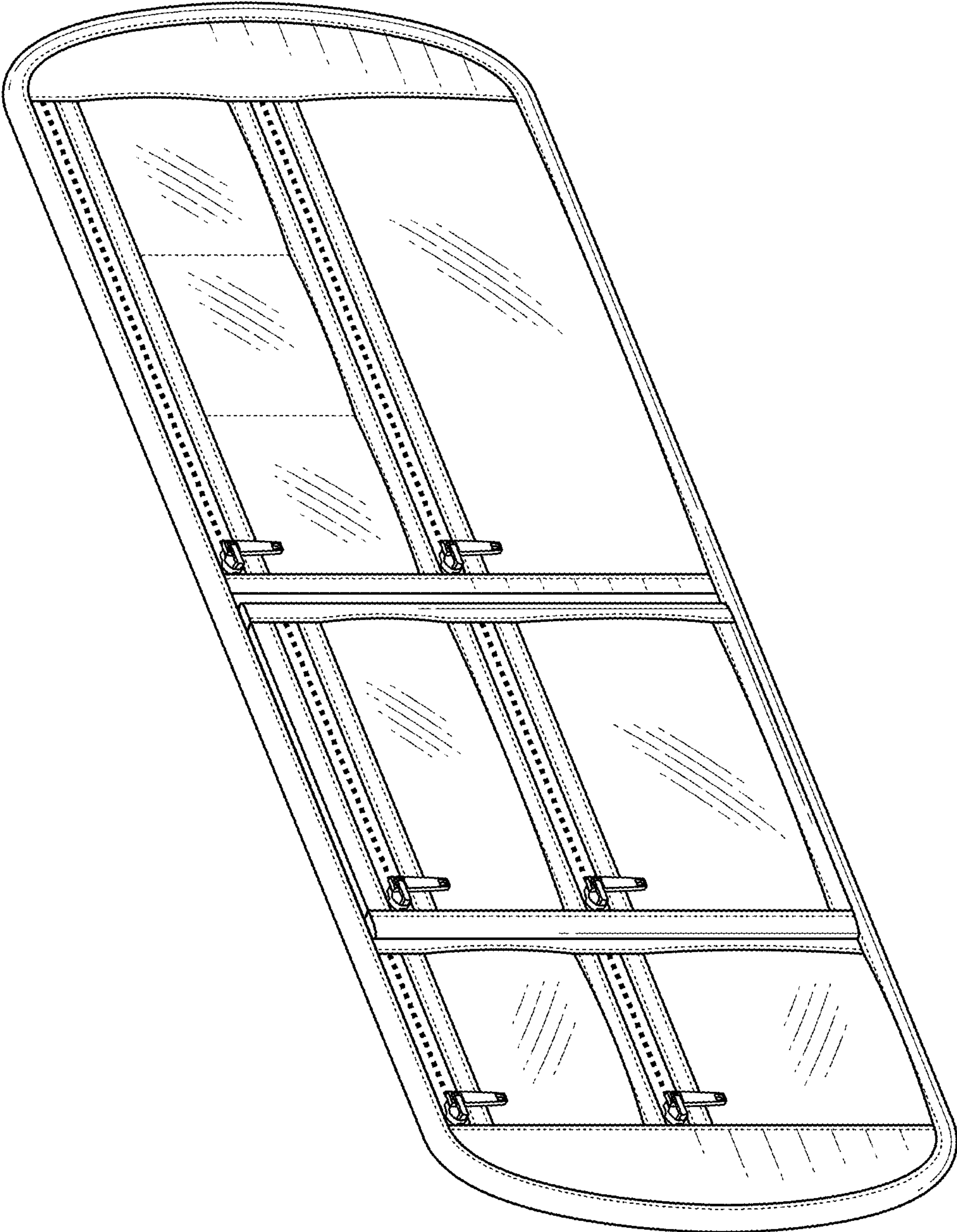


FIG. 1



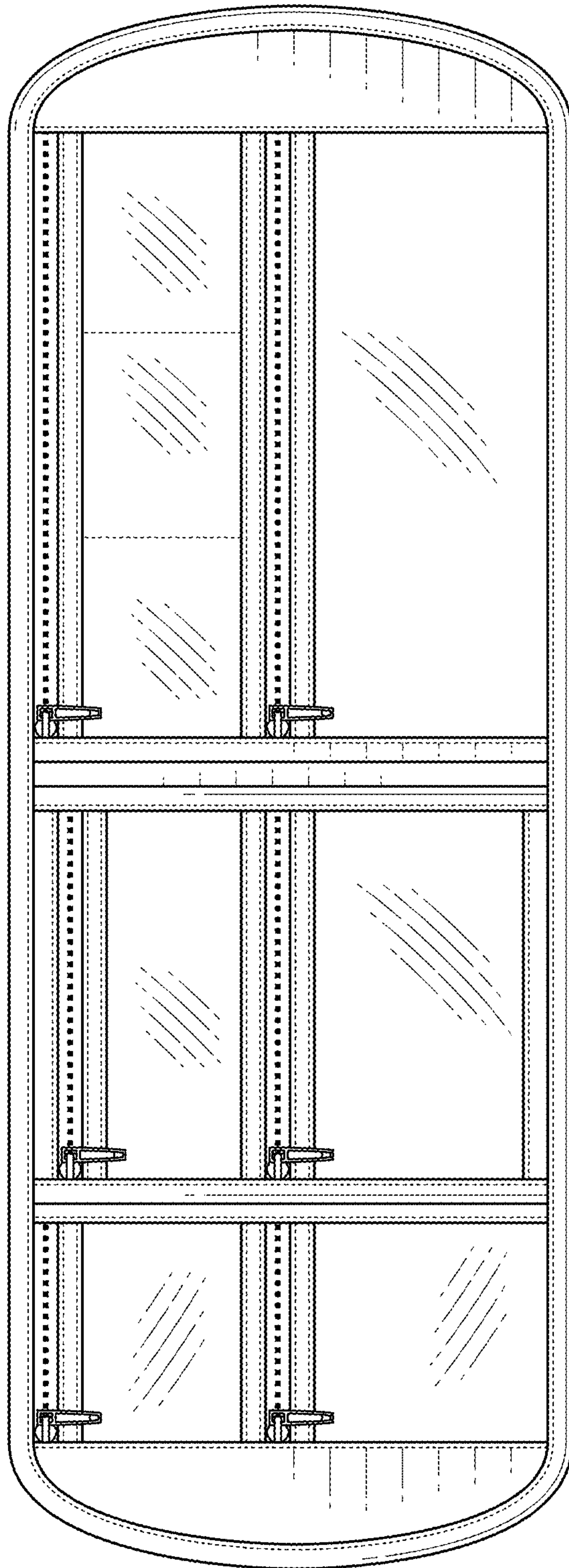


FIG. 2

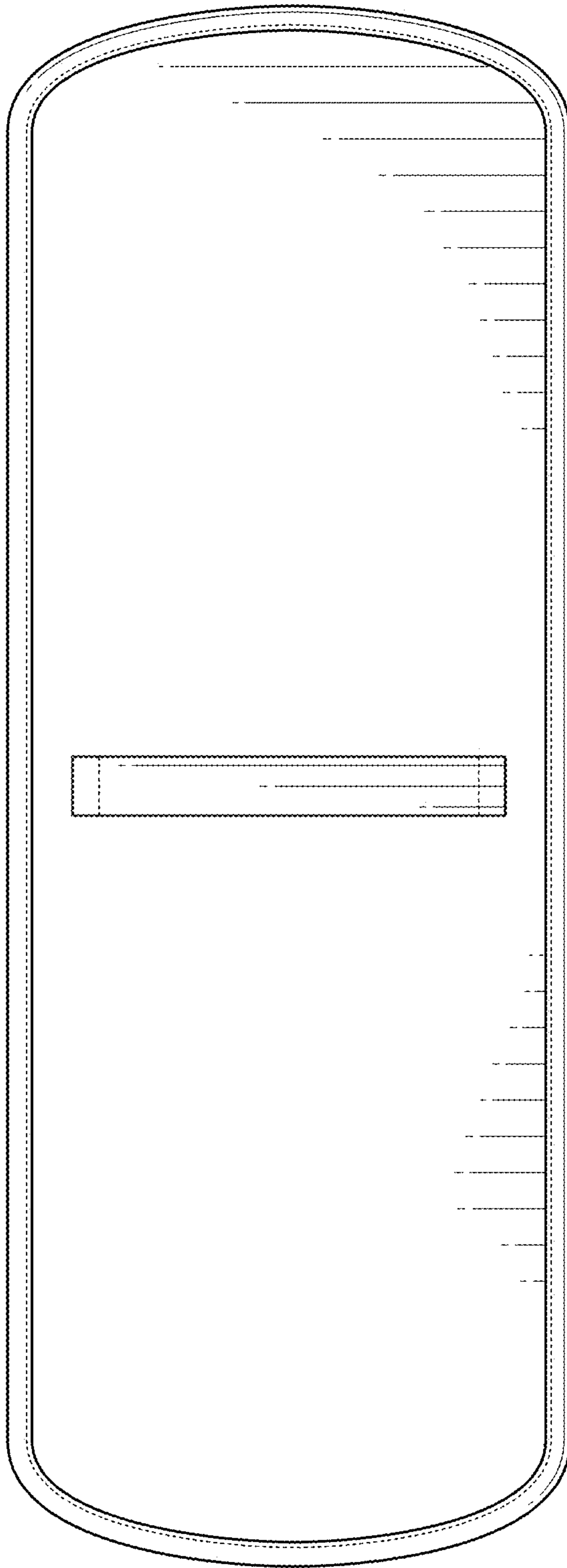


FIG. 3

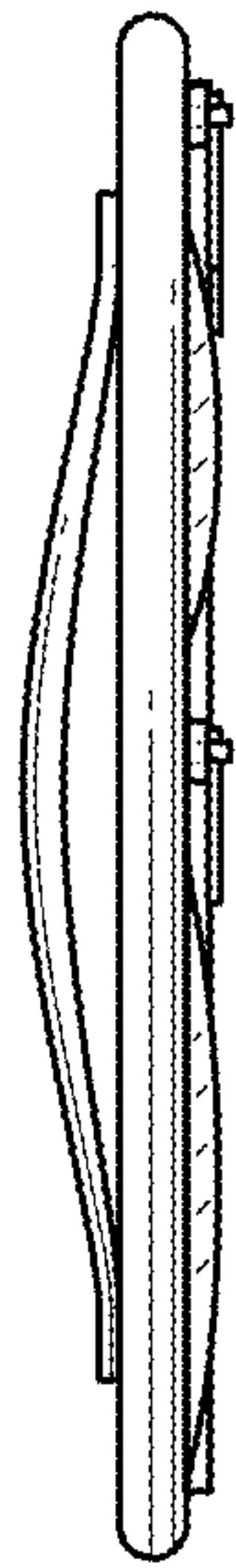


FIG. 4

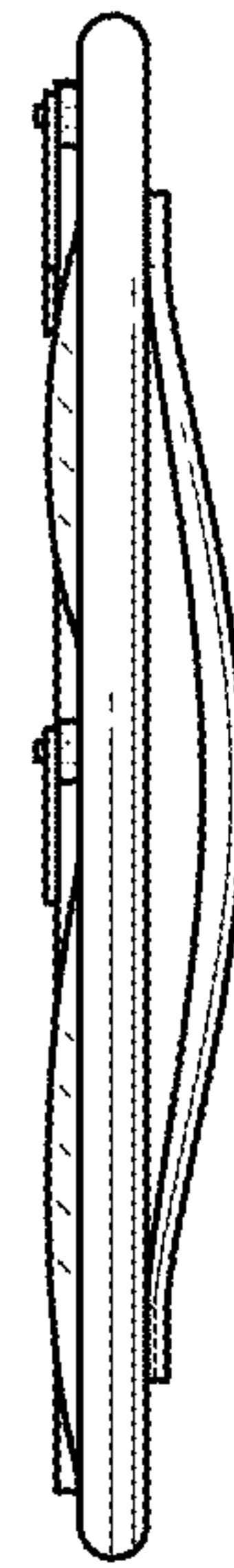


FIG. 5

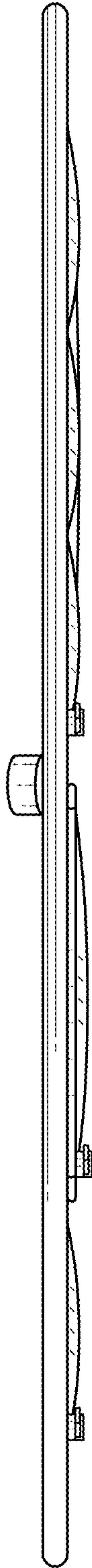


FIG. 6

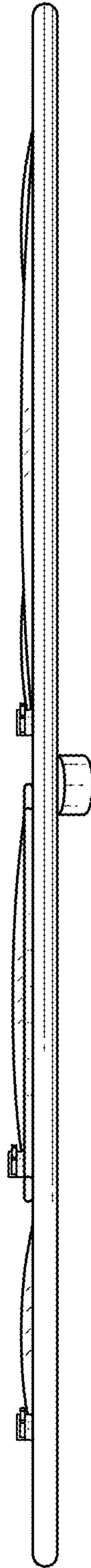


FIG. 7

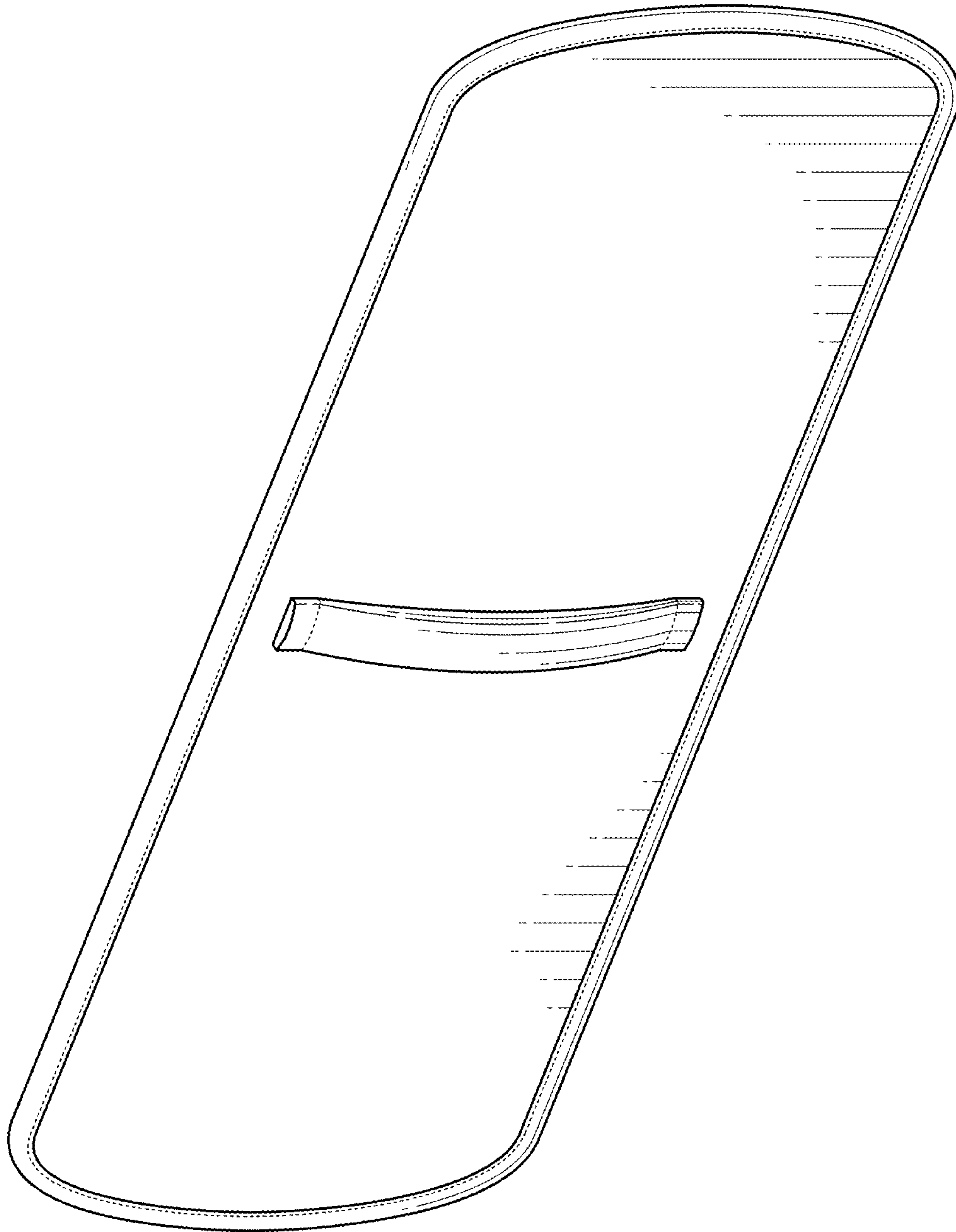


FIG. 8