



US00D930979S

(12) **United States Design Patent**
Tang

(10) **Patent No.:** **US D930,979 S**

(45) **Date of Patent:** **** Sep. 21, 2021**

(54) **HOLSTER**
(71) Applicant: **Huang Tang**, Shaoyang (CN)
(72) Inventor: **Huang Tang**, Shaoyang (CN)
(**) Term: **15 Years**

D798,586 S * 10/2017 Dara D3/222
D841,319 S * 2/2019 Tang D3/222
D874,131 S 2/2020 Zhang
D912,399 S * 3/2021 Sun D3/222
D917,878 S * 5/2021 Huang D3/222
2012/0223110 A1* 9/2012 Gregory F41C 33/0209
224/193
2017/0115095 A1* 4/2017 Moultrie F41C 33/0209

(21) Appl. No.: **29/775,315**

* cited by examiner

(22) Filed: **Mar. 23, 2021**

Primary Examiner — Catherine R Oliver-Garcia

(51) **LOC (13) Cl.** **03-01**

(52) **U.S. Cl.**
USPC **D3/222**

(57) **CLAIM**

The ornamental design for a holster, as shown and described.

(58) **Field of Classification Search**
USPC D3/222; 224/191–193, 197–198, 238,
224/243–244, 246, 672–674, 587, 665,
224/682, 901.4, 911–912; 89/34; 42/106
CPC .. A45F 5/02; A45F 5/021; A45F 5/022; A45F
2200/05; A45F 2200/025; A45F
2200/0591; F41C 33/02; F41C 33/06;
F41C 33/0209; F41C 33/0236; F41C
33/041; F41C 33/045; F41C 33/046;
F41C 33/0227; F41C 33/0254; F41C
33/0263; F41C 33/0218

DESCRIPTION

FIG. 1 is a perspective view of a holster showing my new design;
FIG. 2 is another perspective view thereof;
FIG. 3 is another perspective view thereof;
FIG. 4 is a front elevational view thereof;
FIG. 5 is a rear elevational view thereof;
FIG. 6 is a left side elevational view thereof;
FIG. 7 is a right side elevational view thereof;
FIG. 8 is a top plan view thereof; and,
FIG. 9 is a bottom plan view thereof.
The broken lines in the drawings depict portions of the holster that form no part of the claimed design.

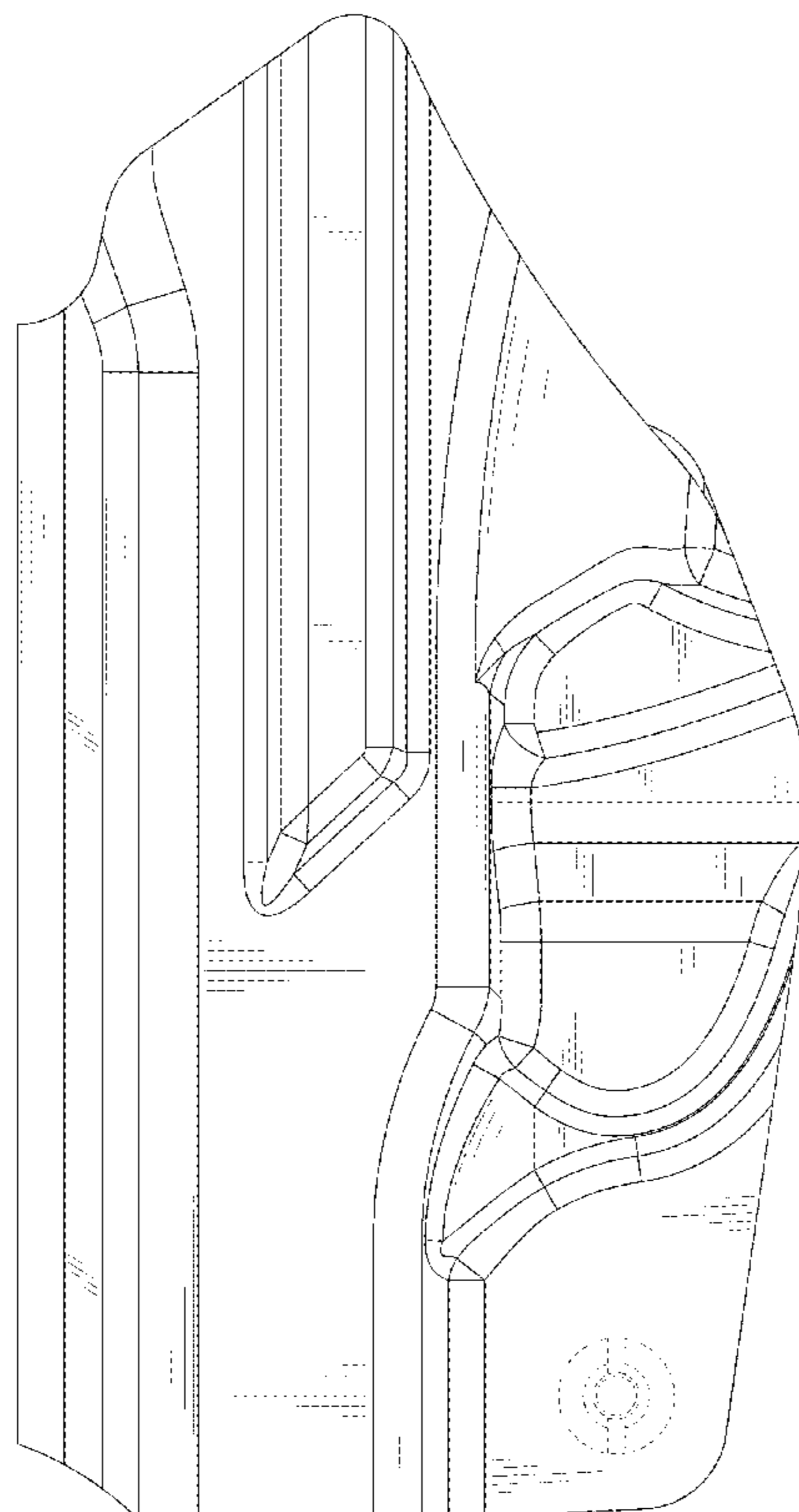
See application file for complete search history.

(56) **References Cited**

U.S. PATENT DOCUMENTS

8,474,670 B1 * 7/2013 Gregory F41C 33/045
224/243
D784,008 S 4/2017 Rogers et al.

1 Claim, 9 Drawing Sheets



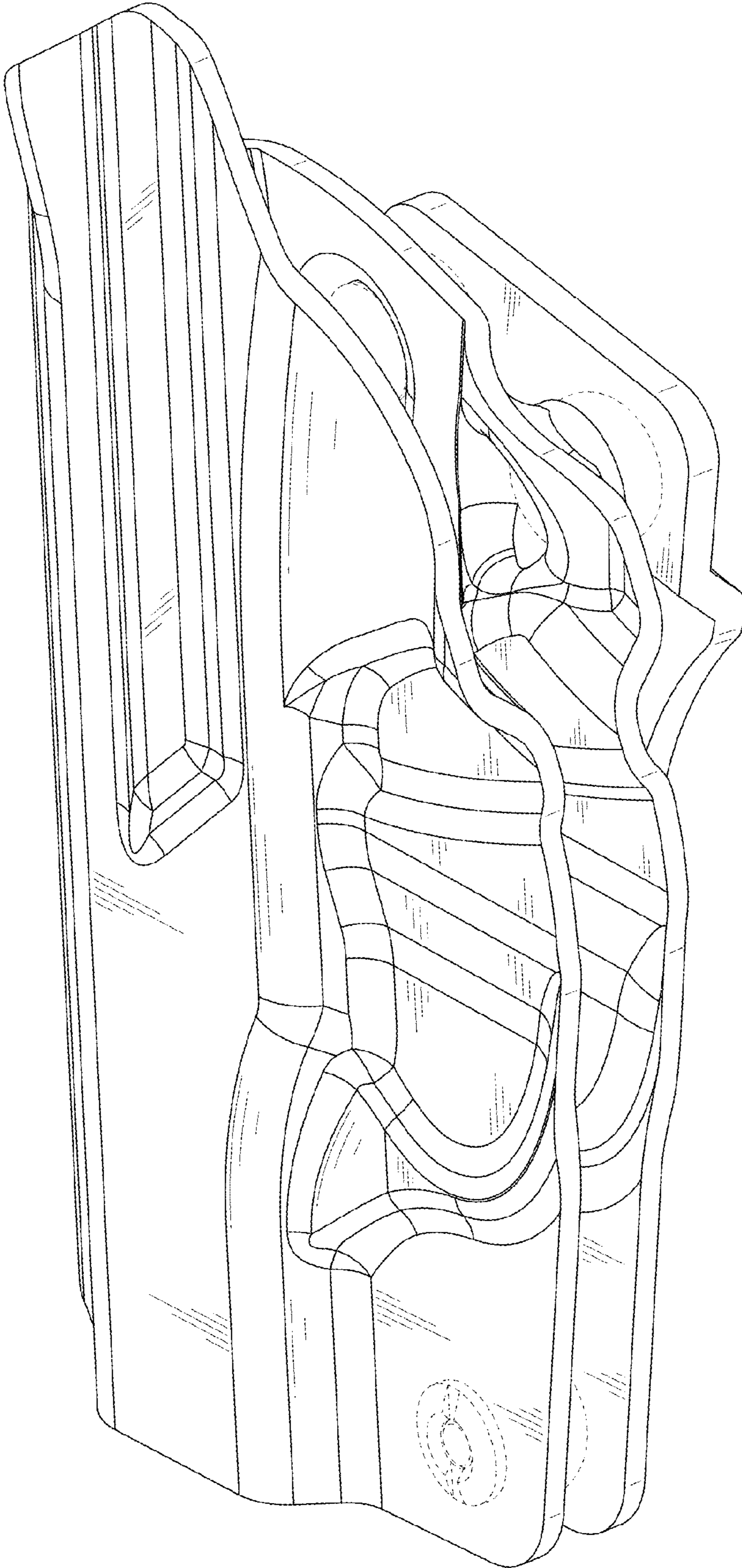


FIG. 1

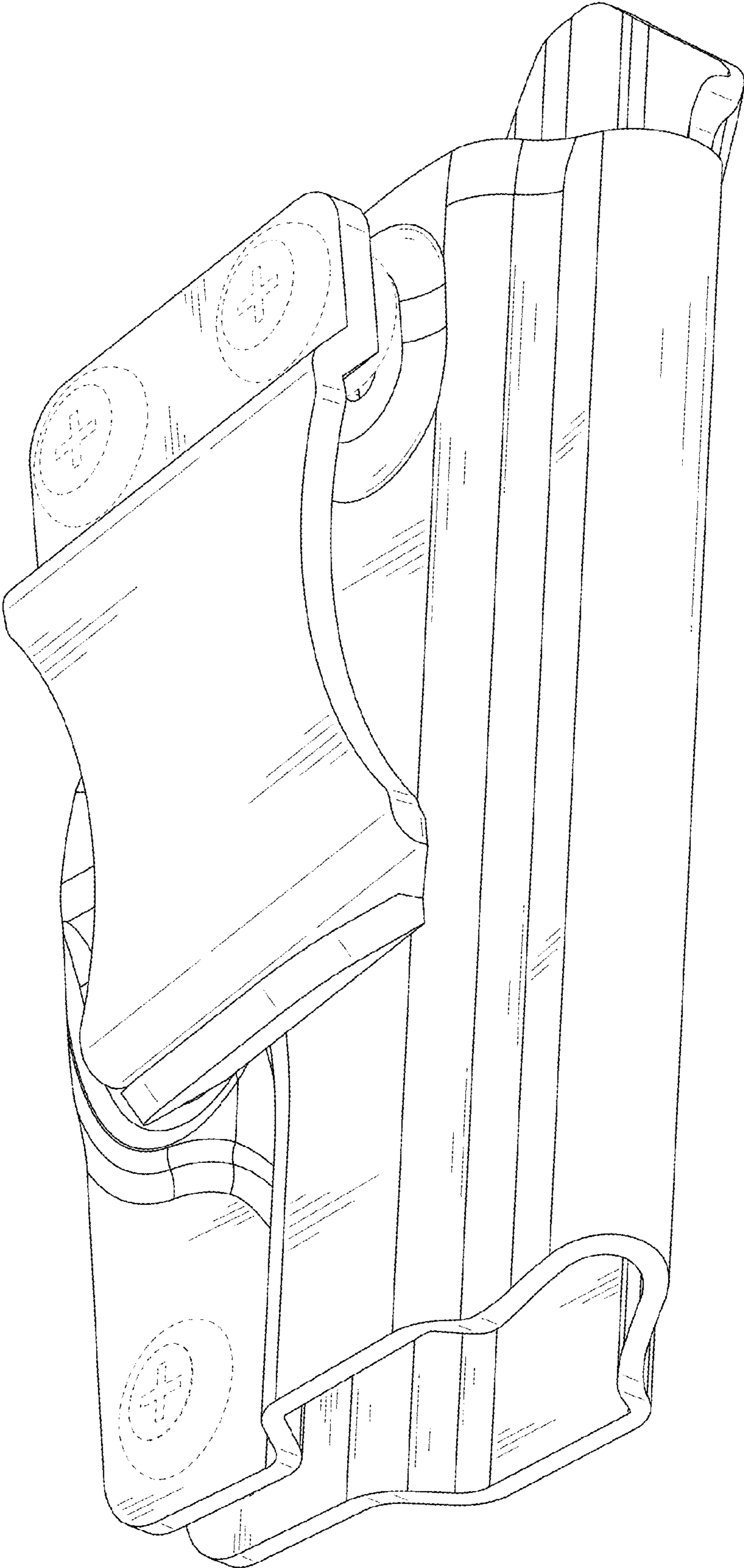


FIG. 2

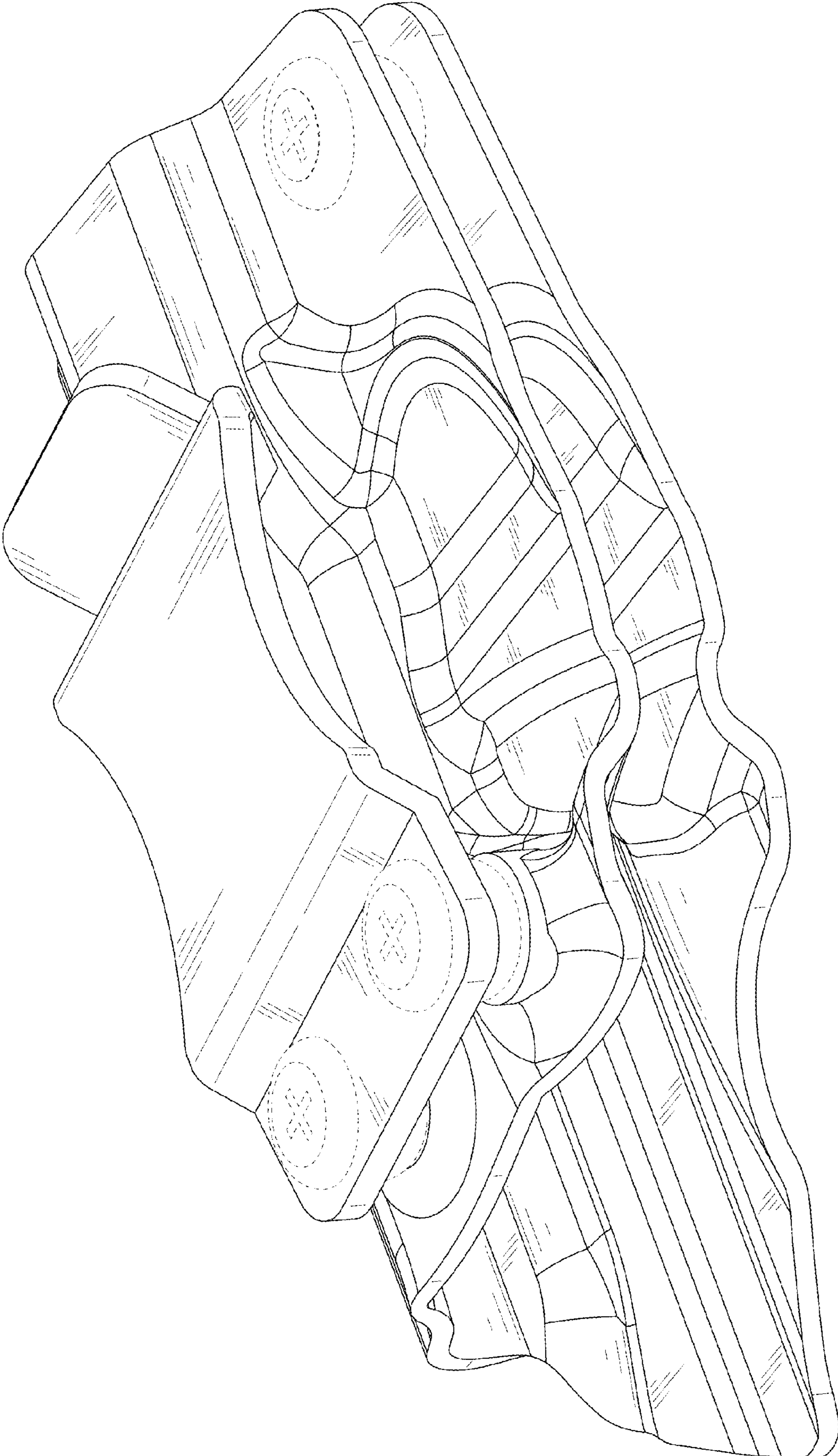


FIG. 3

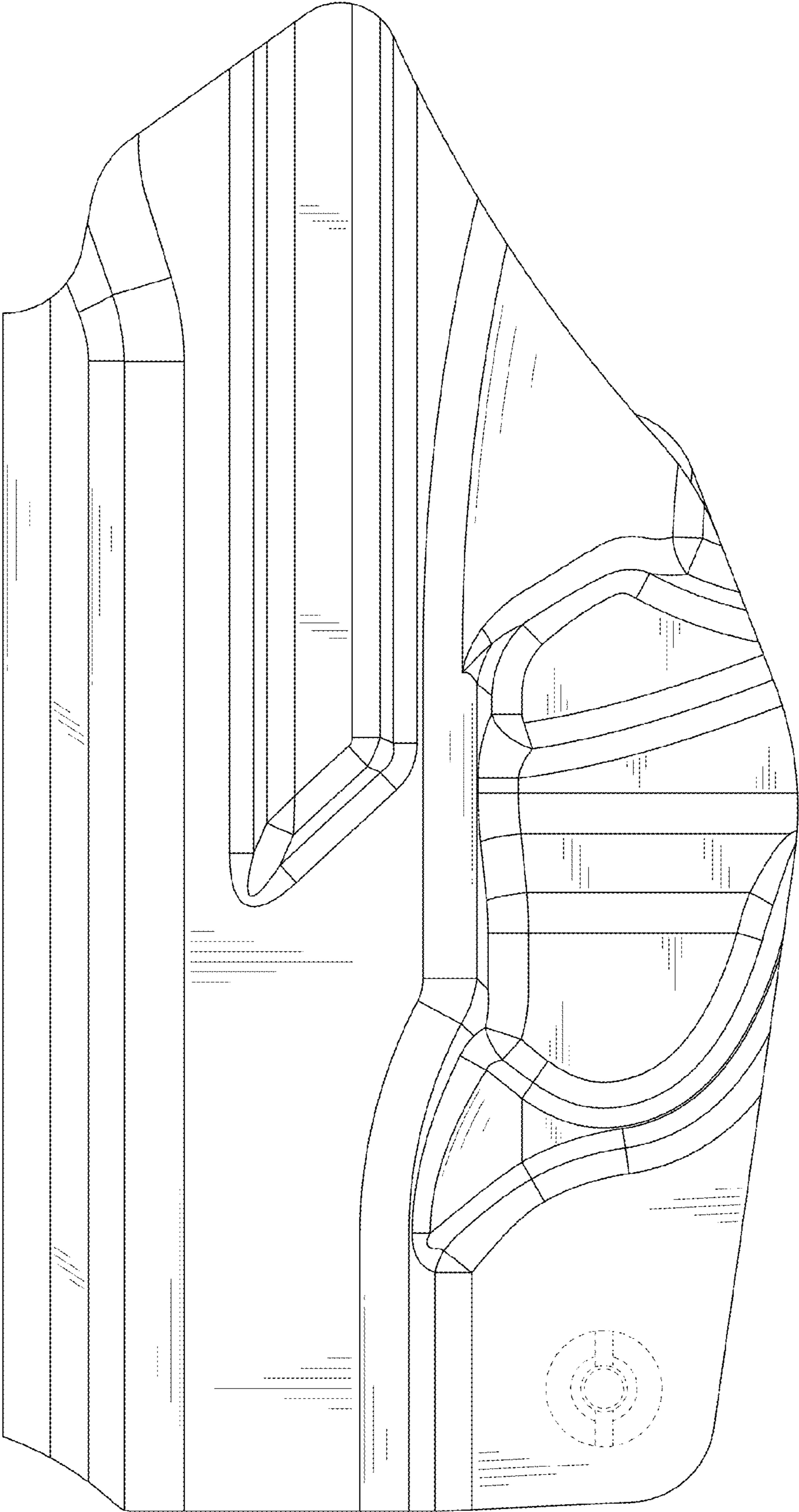


FIG. 4

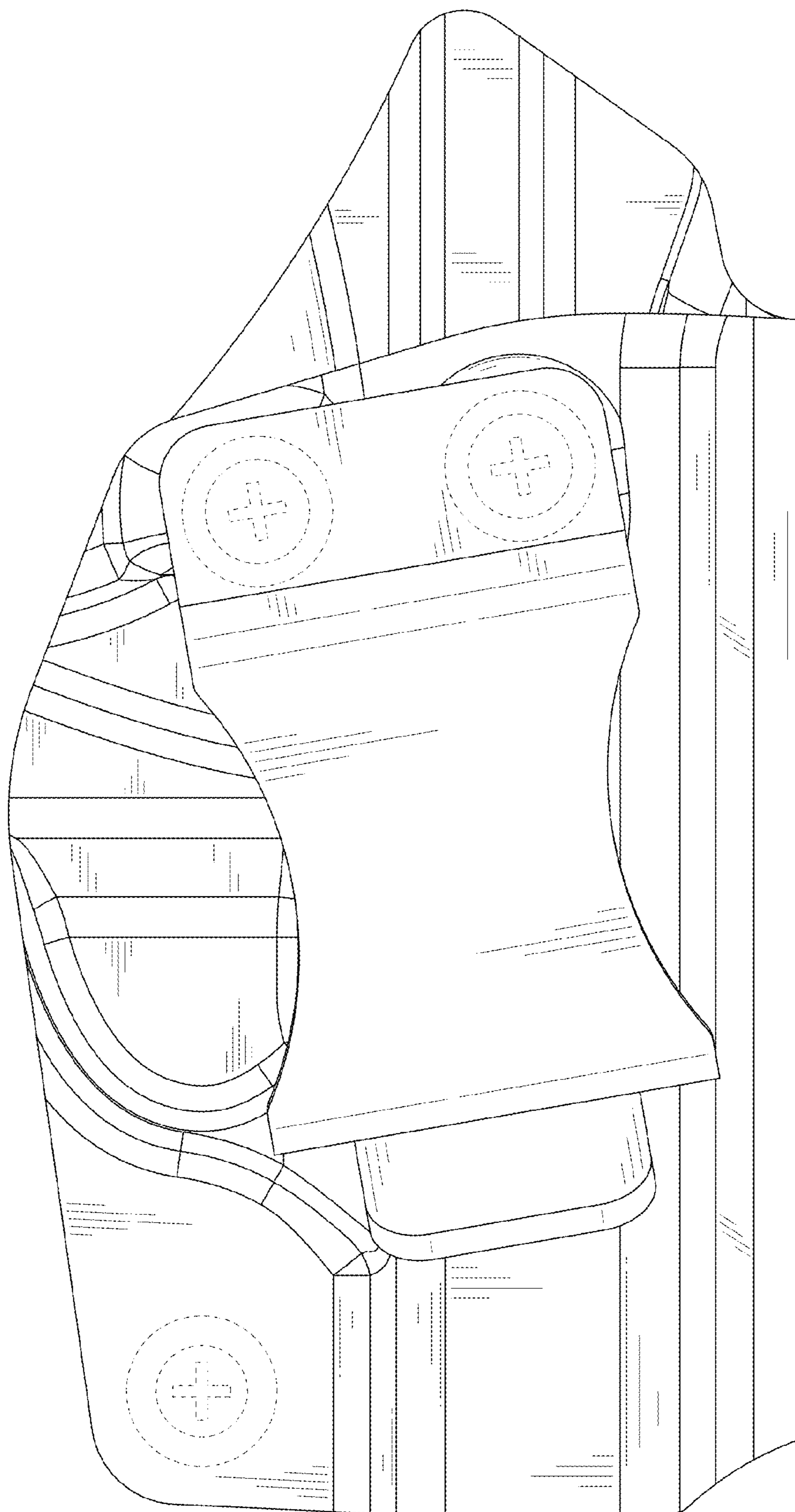


FIG. 5

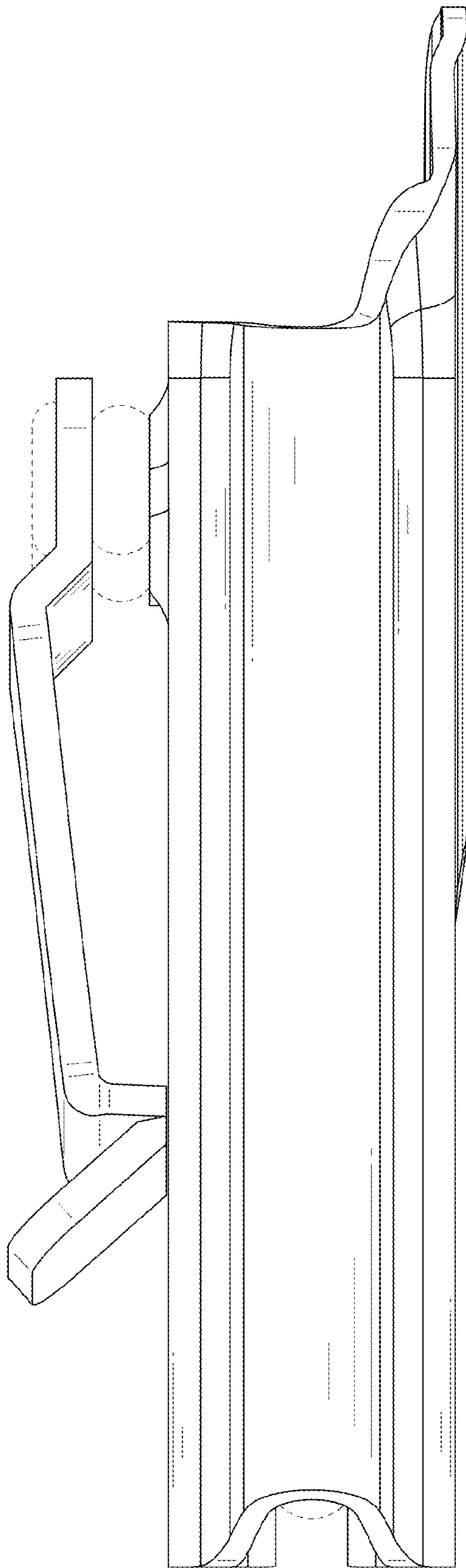


FIG. 6

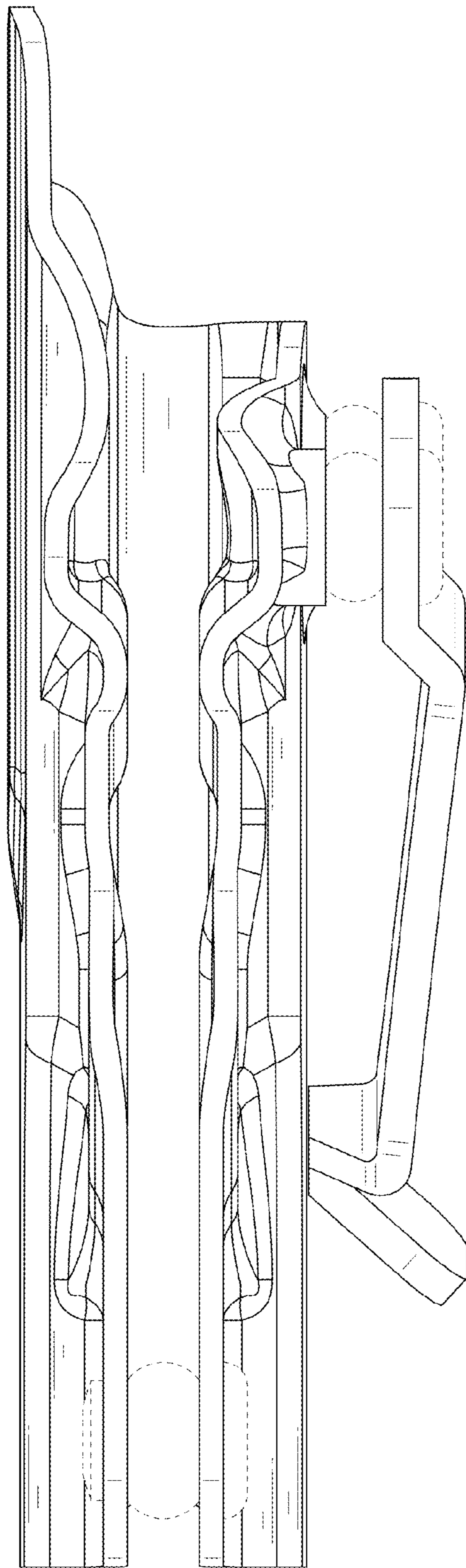


FIG. 7

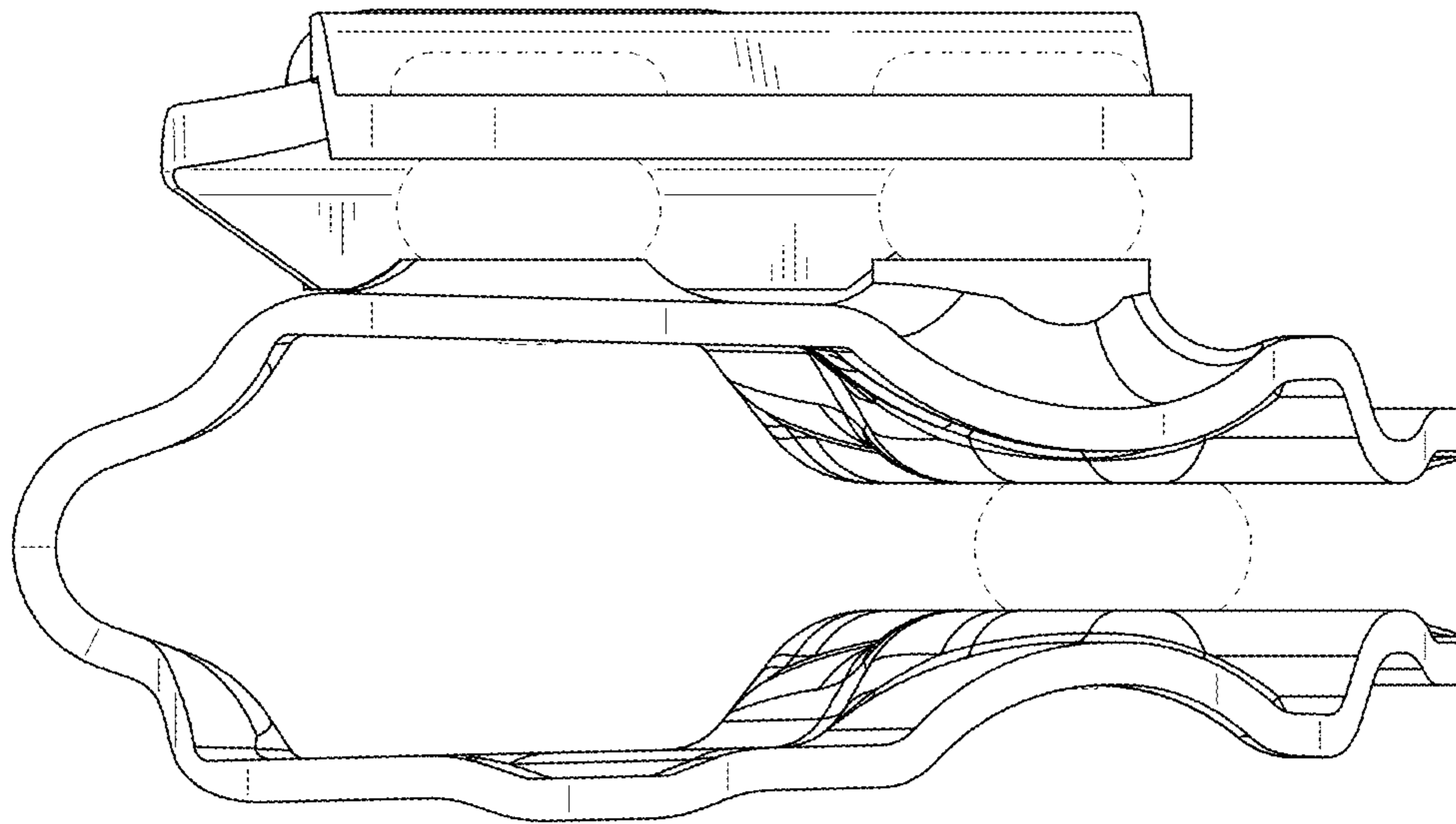


FIG. 8

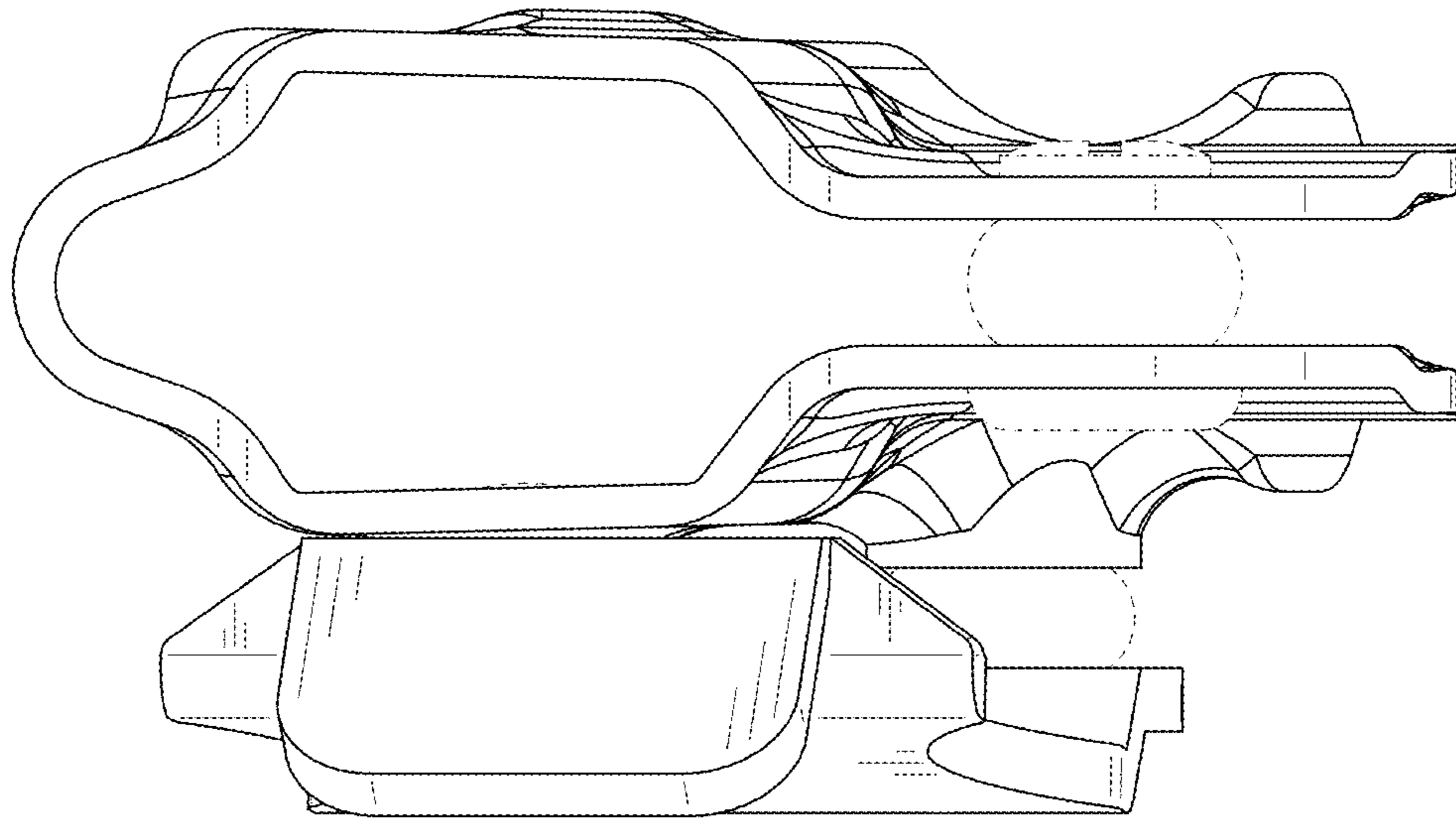


FIG. 9