



US00D930977S

(12) **United States Design Patent**
Courtney

(10) **Patent No.:** **US D930,977 S**
(45) **Date of Patent:** **** Sep. 21, 2021**

- (54) **COLLAPSIBLE DRINKING STRAW AND CONTAINER**
- (71) Applicant: **Vicki Cole Courtney**, Gulfport, FL (US)
- (72) Inventor: **Vicki Cole Courtney**, Gulfport, FL (US)
- (**) Term: **15 Years**
- (21) Appl. No.: **29/684,160**
- (22) Filed: **Mar. 19, 2019**
- (51) **LOC (13) Cl.** **03-01**
- (52) **U.S. Cl.**
USPC **D3/215**
- (58) **Field of Classification Search**
USPC ... D3/215, 201, 203.1, 203.2, 207-211, 274, D3/294; D7/505; 224/219, 222, 267, 224/269, 182, 904
CPC A45F 5/00; A45F 5/02; A45F 5/021; A45F 2003/01; A45F 2003/003; A45F 2205/05; A45F 2200/05
See application file for complete search history.

(56) **References Cited**

U.S. PATENT DOCUMENTS

D432,344 S	*	10/2000	Eskandry	D3/201
D463,104 S	*	9/2002	Ames	D3/207
D520,233 S	*	5/2006	Matlock	D3/215
D608,541 S	*	1/2010	Myers	D3/215
D618,906 S	*	7/2010	Covington	D3/208
D630,835 S	*	1/2011	Easley	D3/203.1
D707,957 S	*	7/2014	Oas	D3/215
D847,568 S	*	5/2019	Hartnett	D7/505

OTHER PUBLICATIONS

Silicone Straw In Box with Carabiner #HPS249—AD Specialty Products <https://www.adspecialtyproductscatalog.com/p/product/BA251A78-0303-48F5-9744-6B93E76BEAB5> (Year: 2018).*

Eco-Friendly Silicone Straws in Case, DISCOUNTMUGS—https://www.discountmugs.com/product/straw002-eco-friendly-reusable-silicone-straw-in-case/?quantity=1&print_method=screen_print&color=White&utm_source=google_shopping&utm_medium=cpc&utm_campaign=%5BADL%5D+%5BPLA%5D+%5BShopping%5D++Remnant&utm_term (Year: 2020).*
Reusable Silicone Straw in Keychain Case, https://www.4imprint.com/product/150582?gfeed=1&mkid=1pla150582&ef_id=EAialQobChMliaya2-Wh7glVWDizAB33SArGEAQYAyABEgJsPPD_BwE:G:s&s_kwid=AL!4167!3!281106867729!!!g!982798836452!&gclid=EAialQobChMliaya2-Wh7glVWDizAB33SArGEAQYAyABEgJsPPD_BwE (Year: 2019).*

* cited by examiner

Primary Examiner — Catherine R Oliver-Garcia
(74) *Attorney, Agent, or Firm* — Stephen G. Anderson; Greenberg Traurig, P.A.

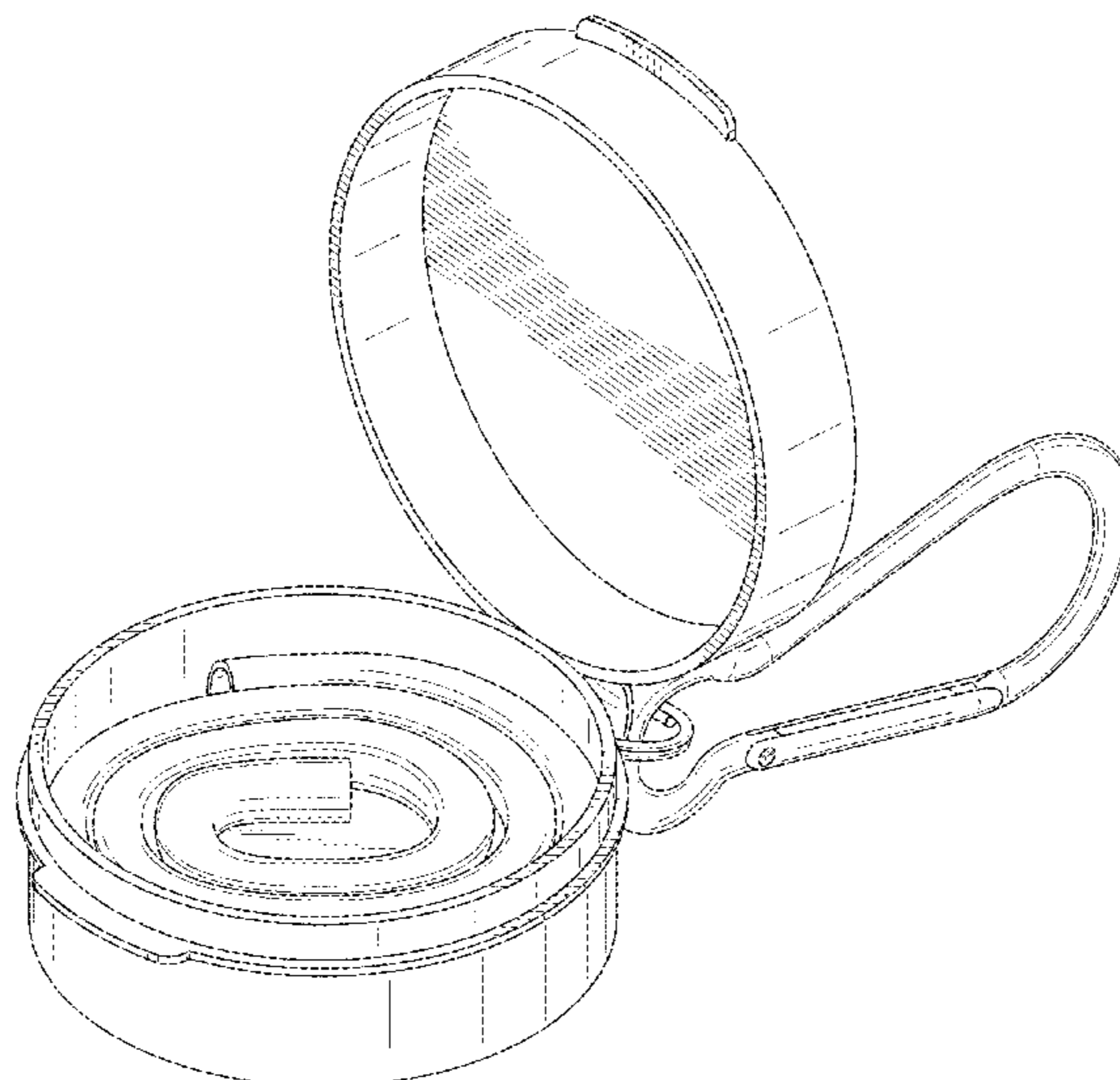
(57) **CLAIM**

The ornamental design for a collapsible drinking straw and container, as shown and described.

DESCRIPTION

FIG. 1 is a front perspective view of a collapsible drinking straw and container, shown closed;
FIG. 2 is a top plan view thereof;
FIG. 3 is a bottom plan view thereof;
FIG. 4 is a side elevation view thereof;
FIG. 5 is an opposite side elevation view thereof;
FIG. 6 is a front elevation view thereof;
FIG. 7 is a rear elevation view thereof;
FIG. 8 is a front perspective view of a collapsible drinking straw and container, shown open;
FIG. 9 is a top plan view thereof;
FIG. 10 is a bottom plan view thereof;
FIG. 11 is a side elevation view thereof;
FIG. 12 is an opposite side view thereof;
FIG. 13 is a front elevation view thereof; and,
FIG. 14 is a rear elevation view thereof.

1 Claim, 13 Drawing Sheets



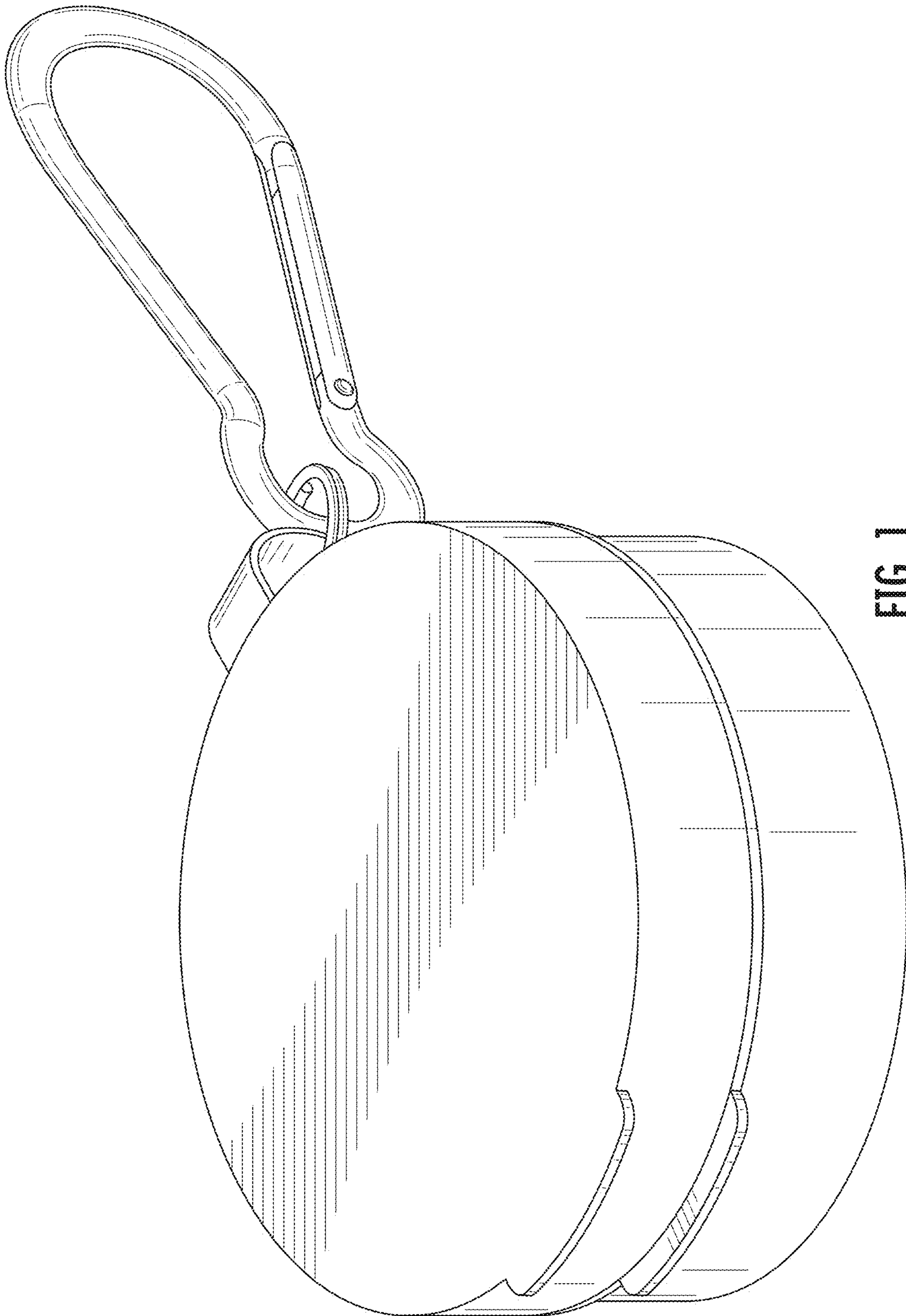


FIG. 1

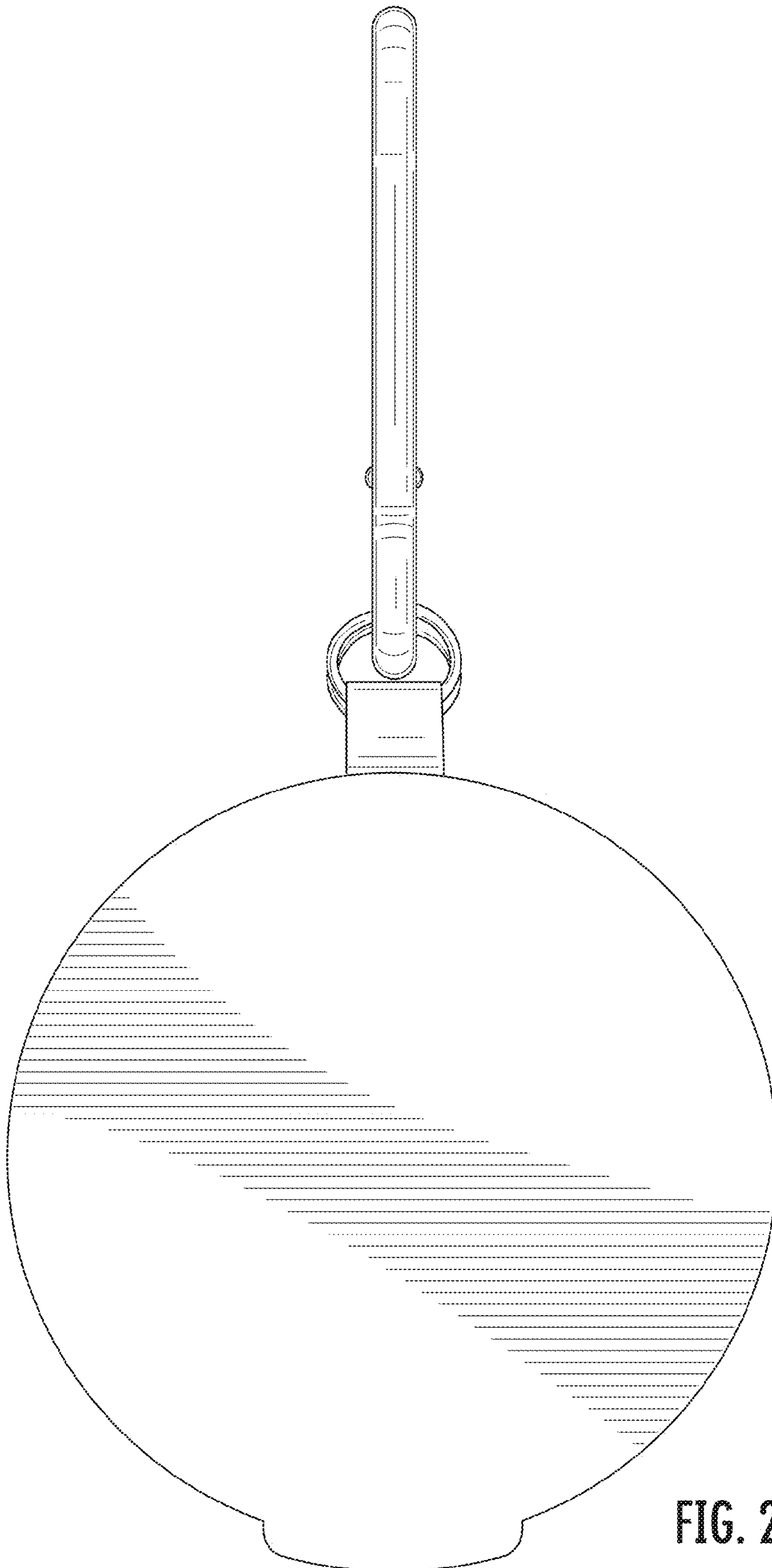


FIG. 2

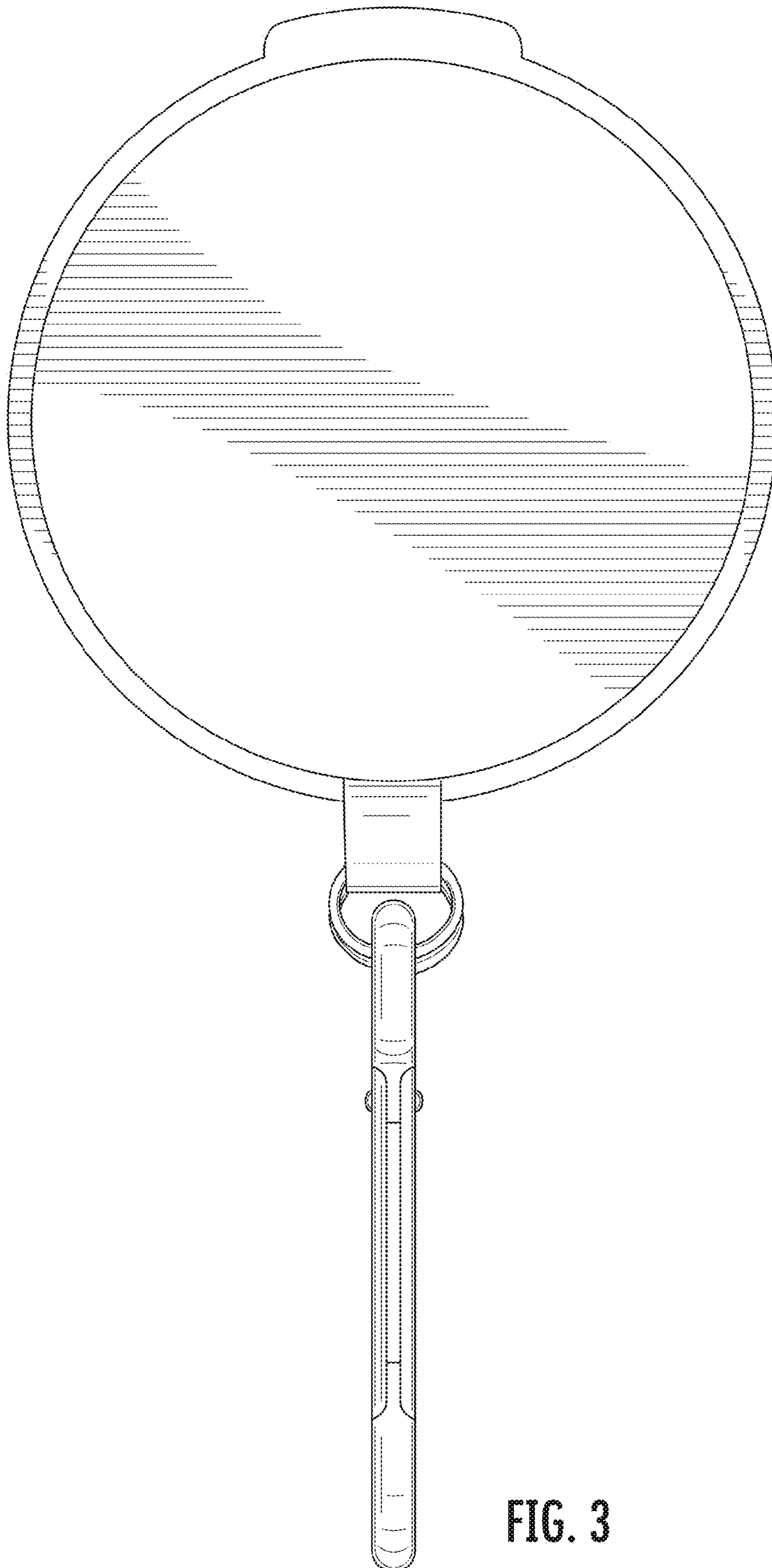


FIG. 3

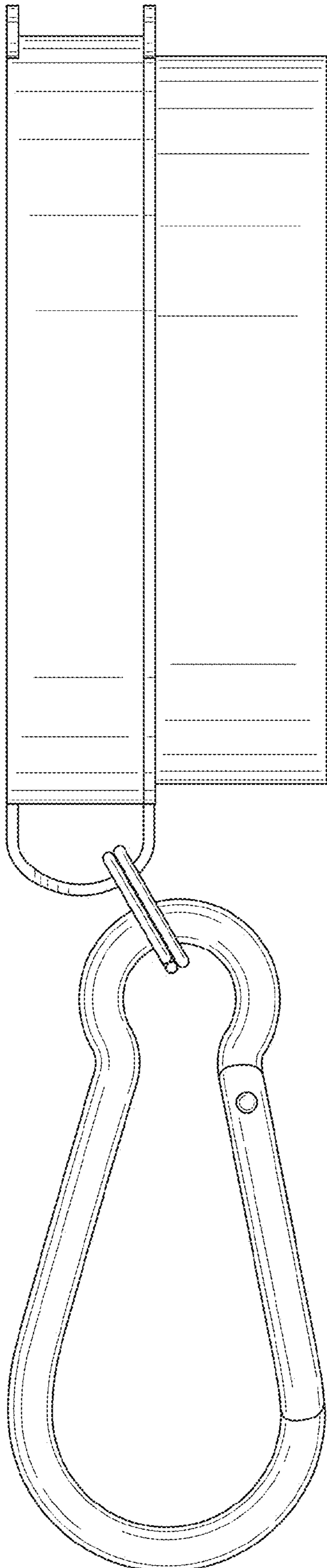


FIG. 4

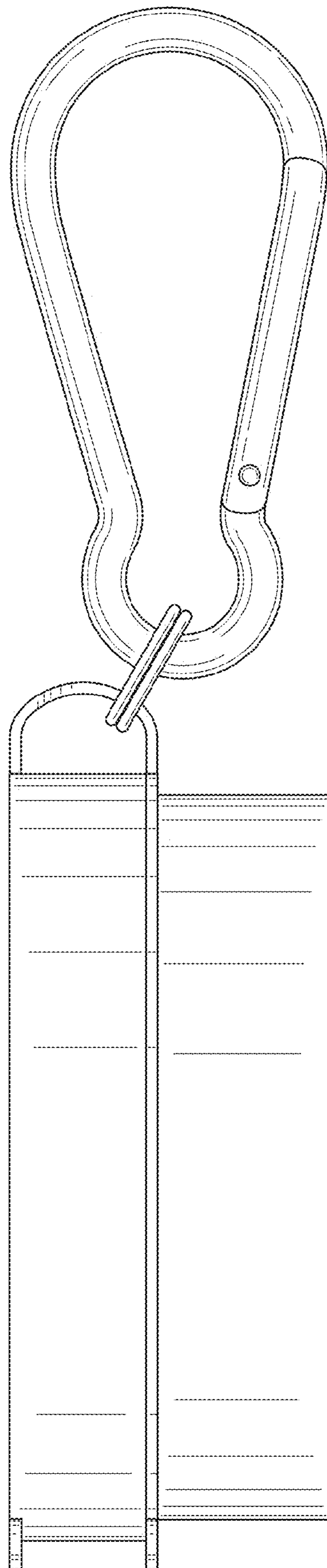


FIG. 5

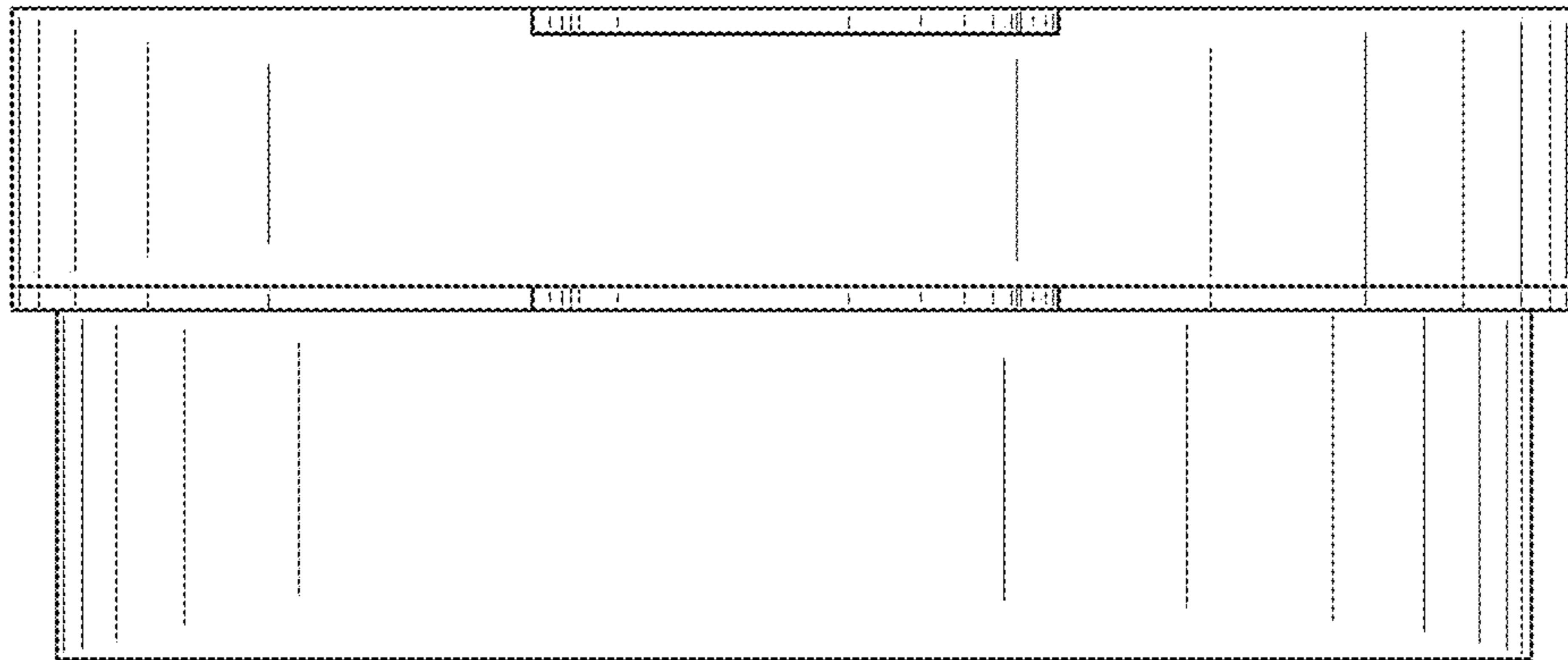


FIG. 6

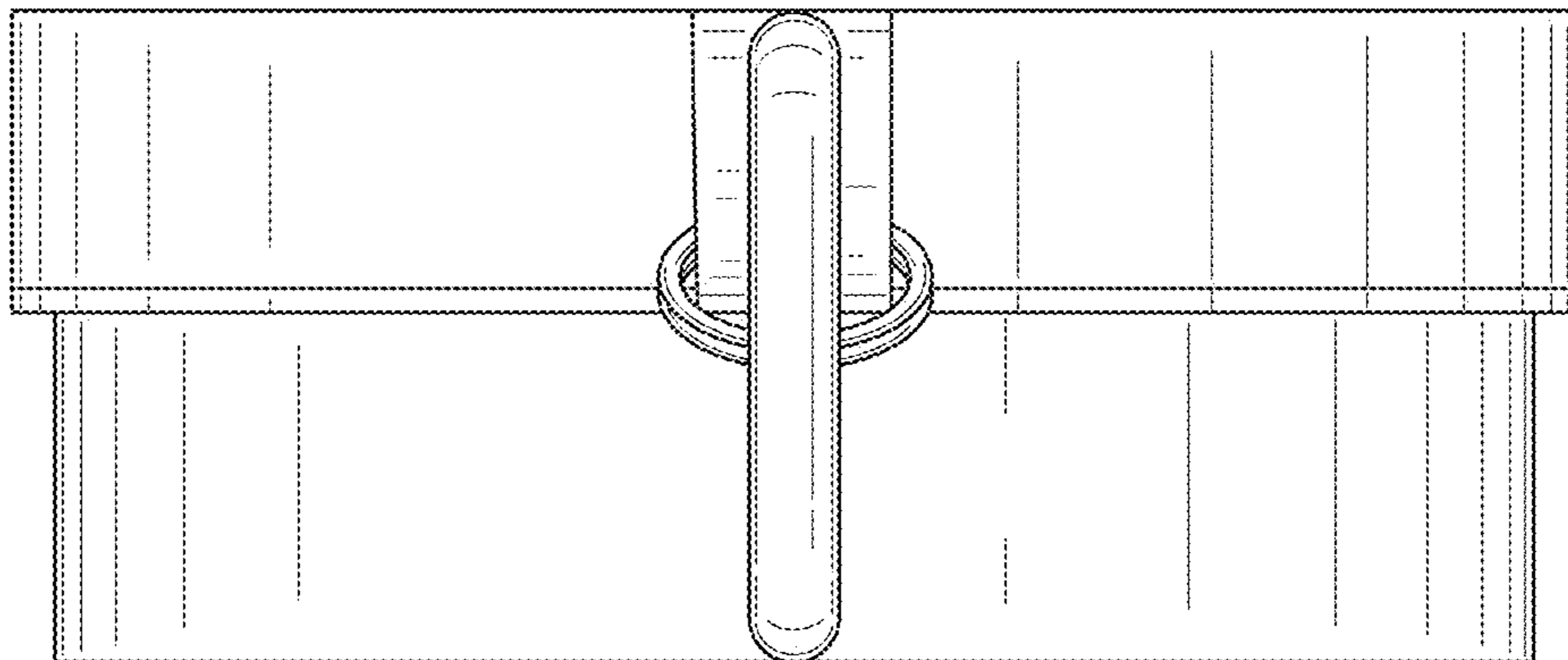


FIG. 7

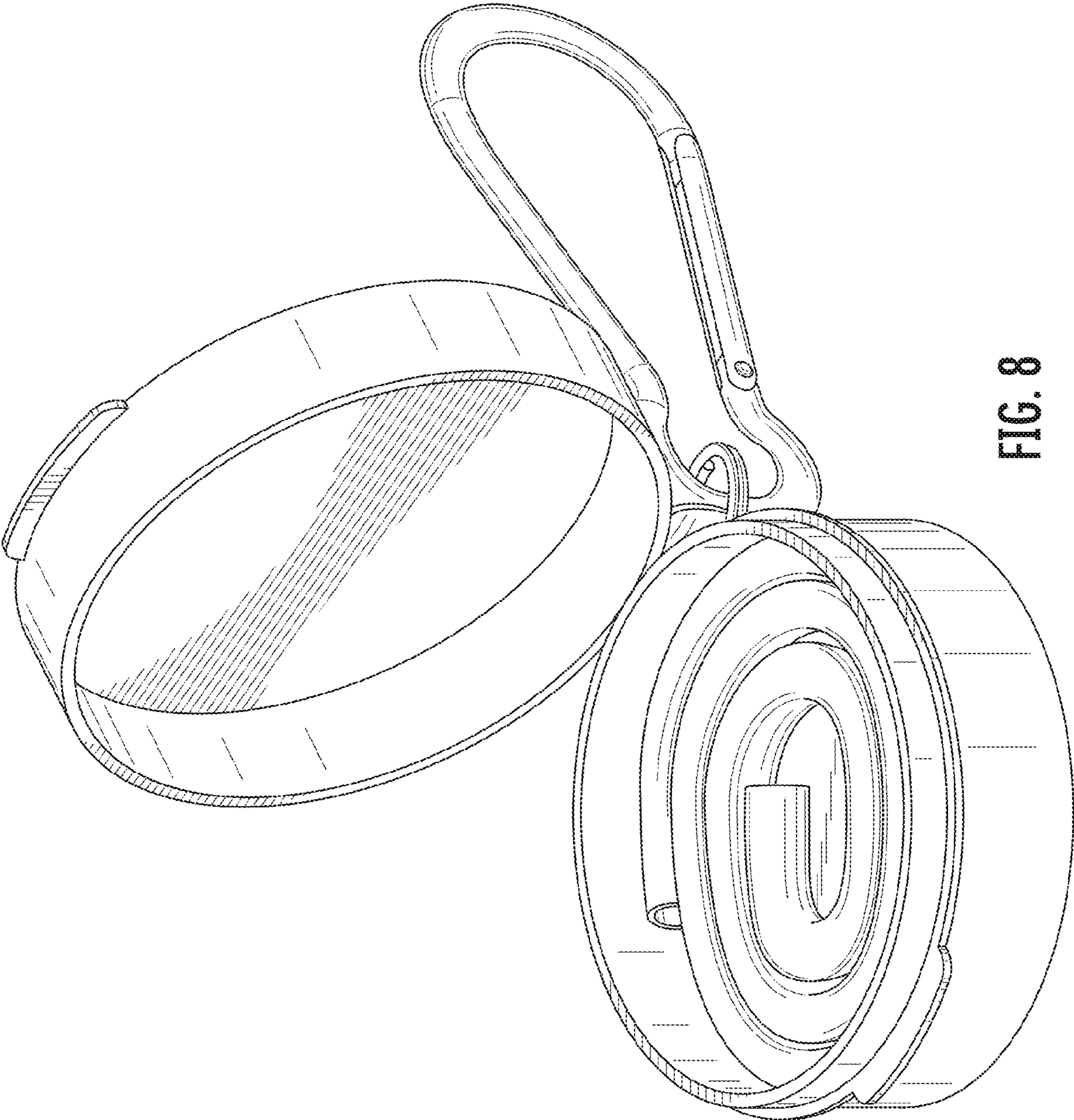


FIG. 8

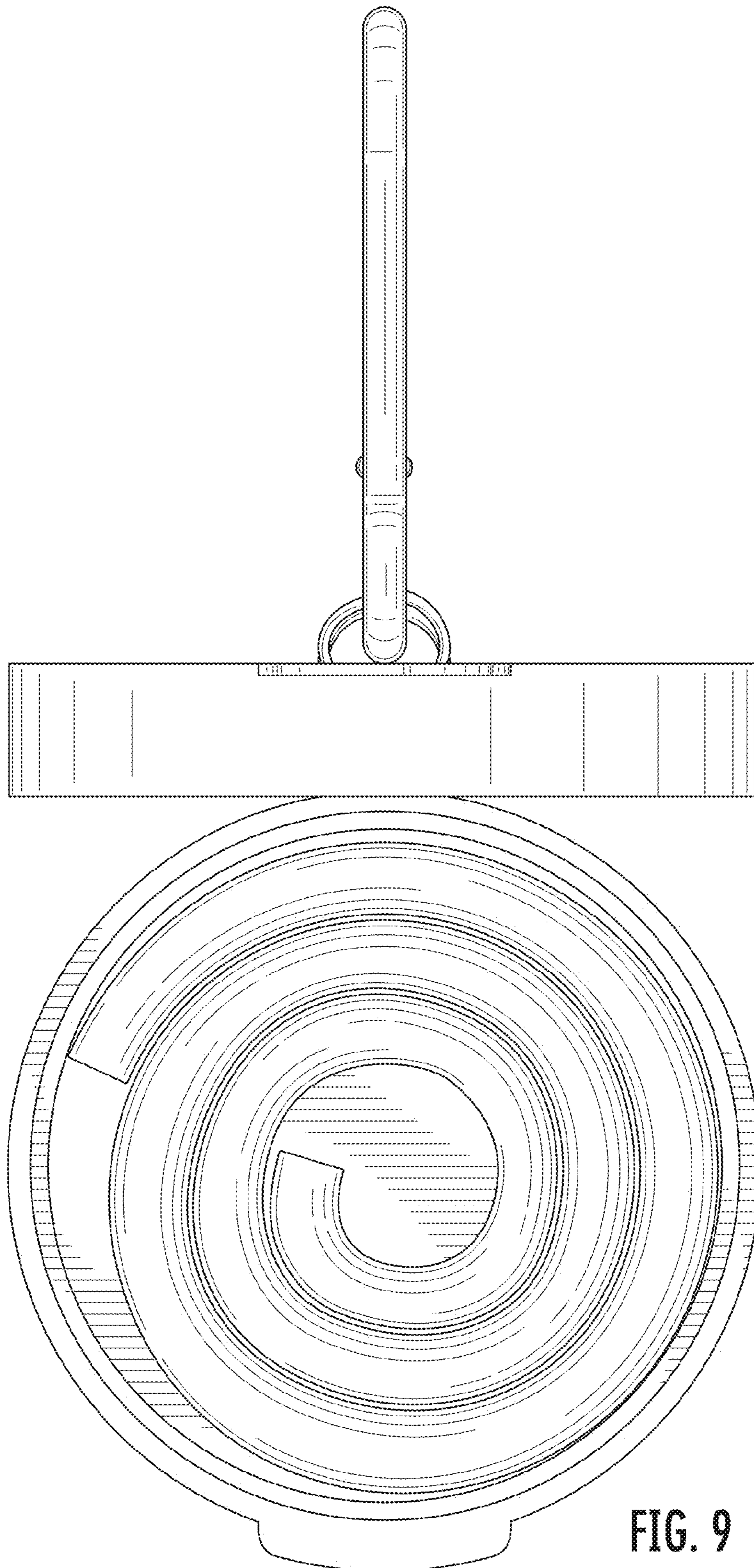


FIG. 9

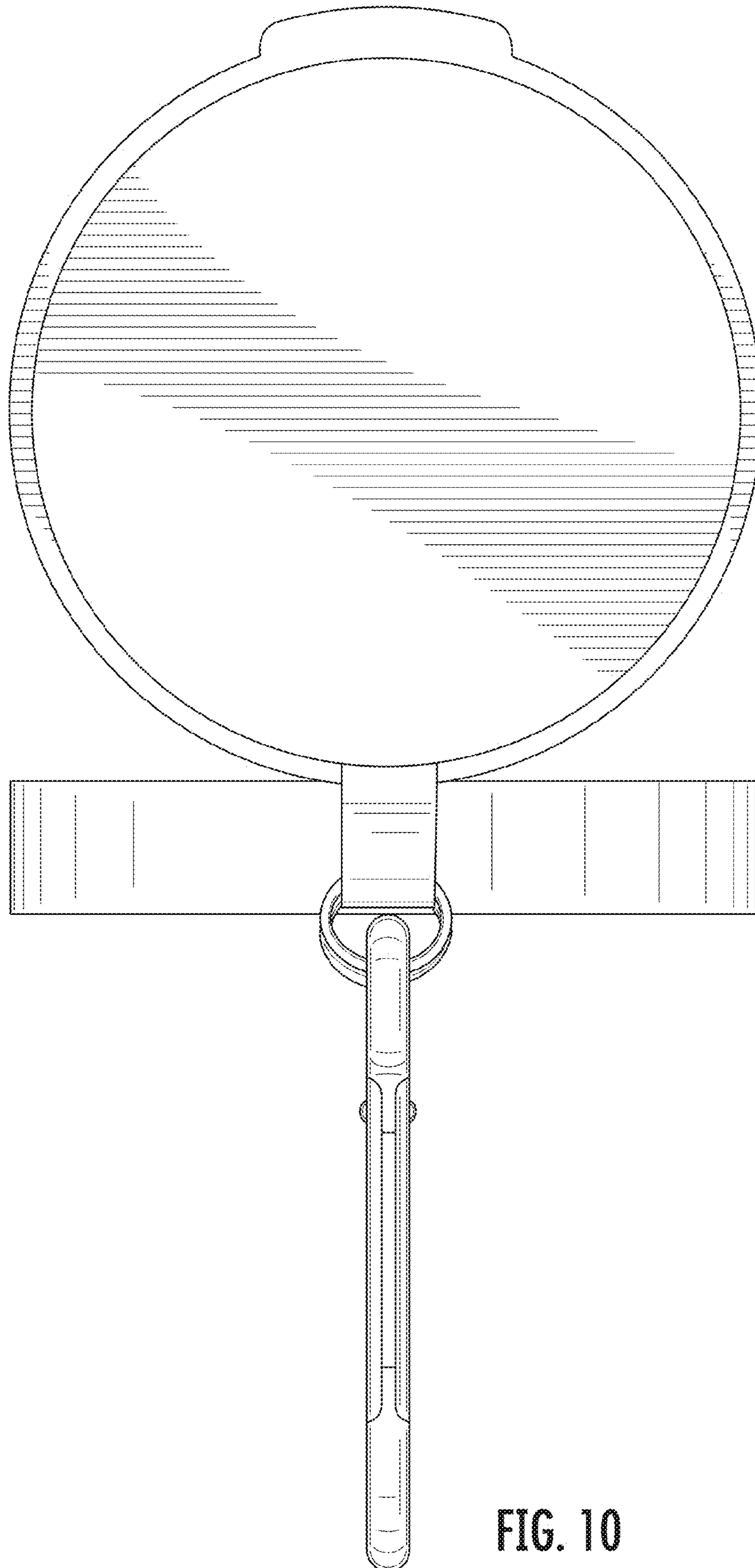


FIG. 10

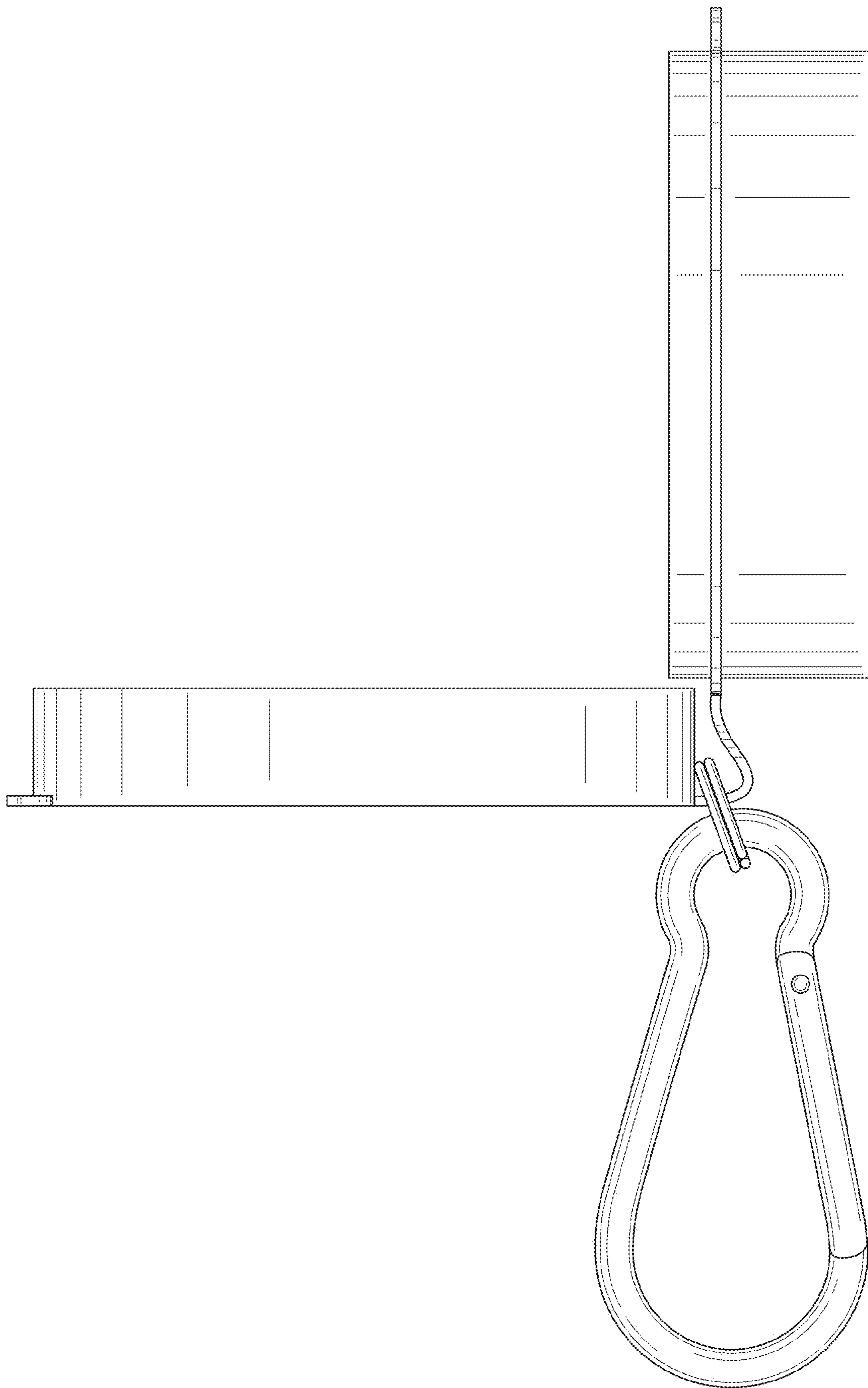


FIG. 11

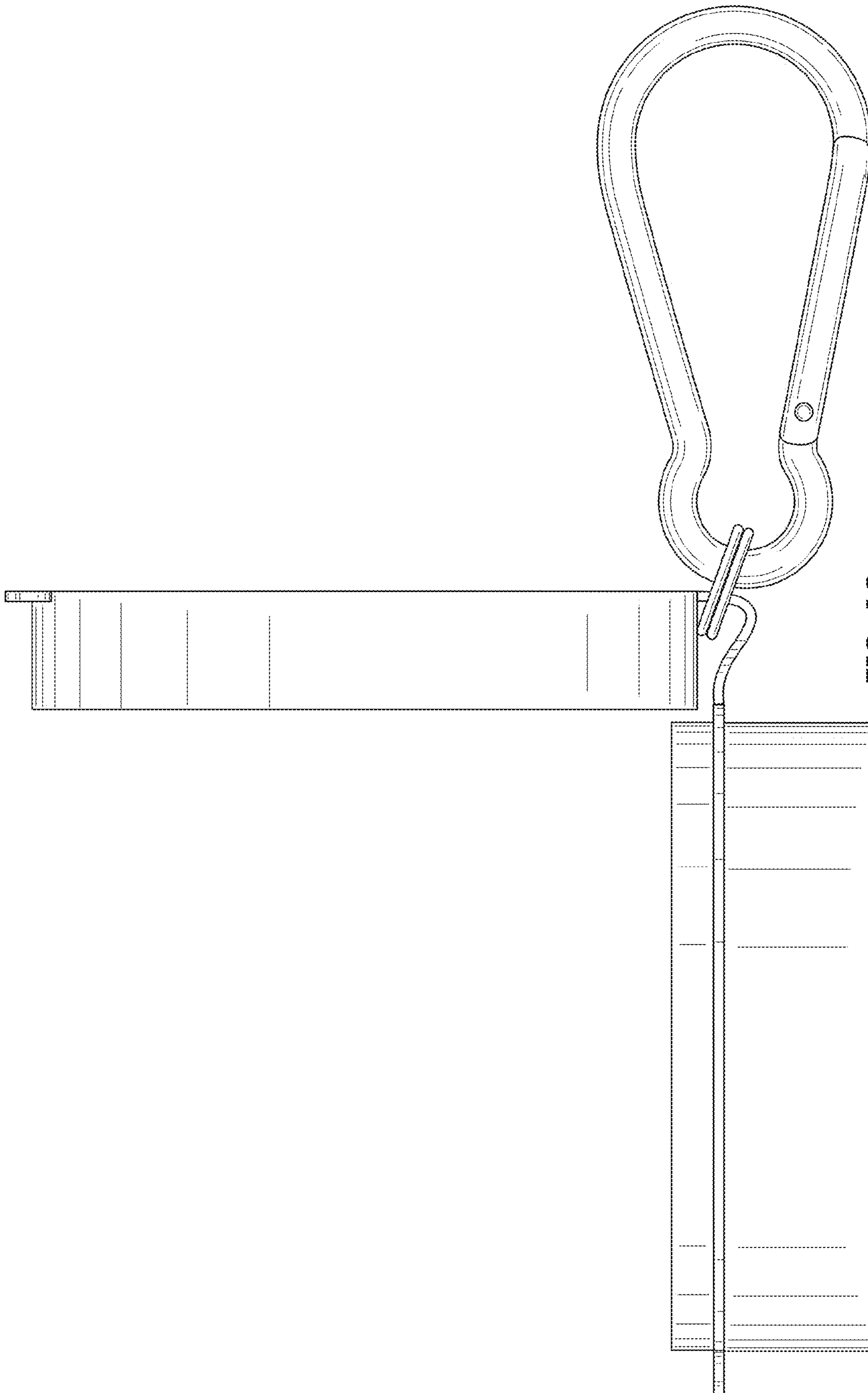


FIG. 12

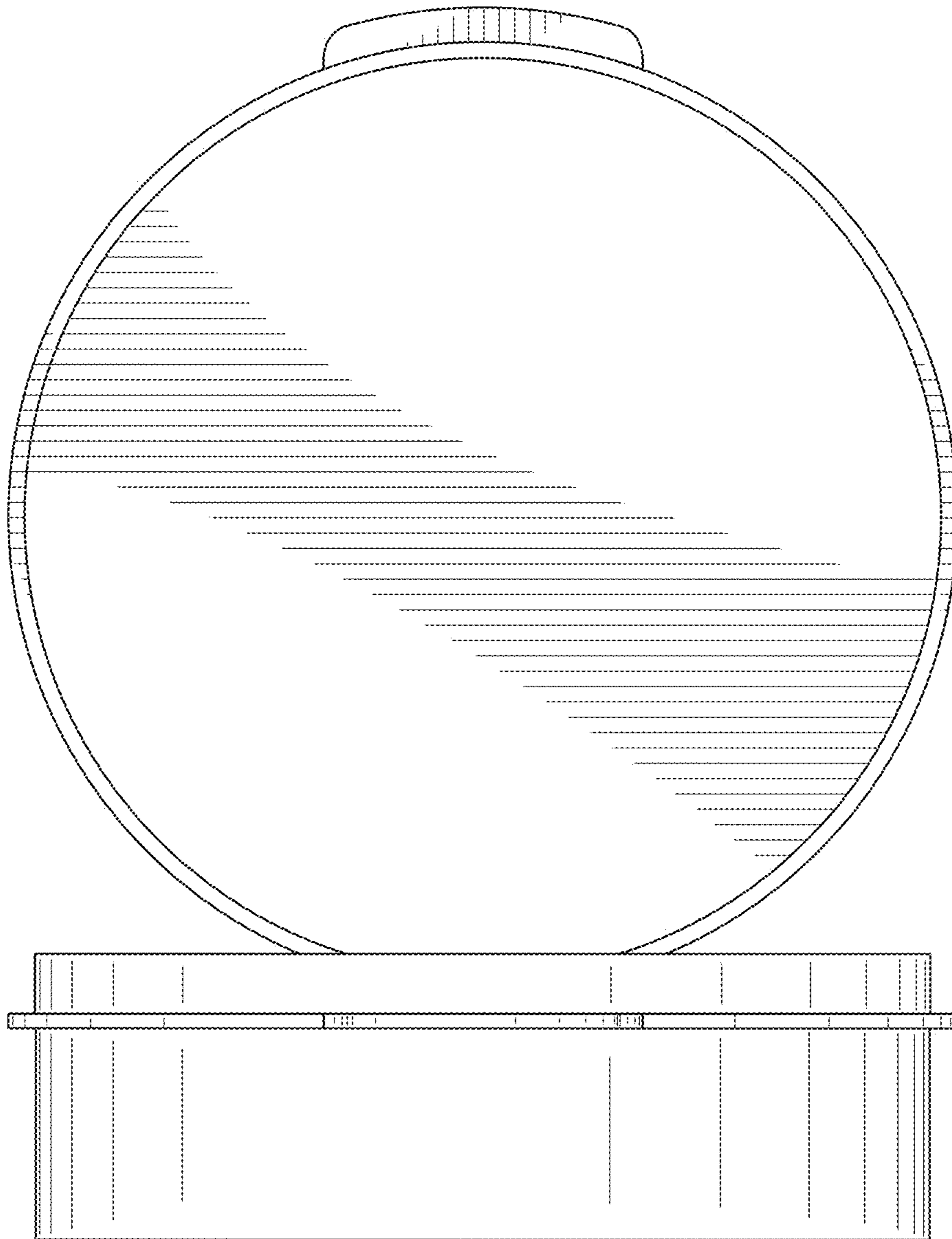


FIG. 13

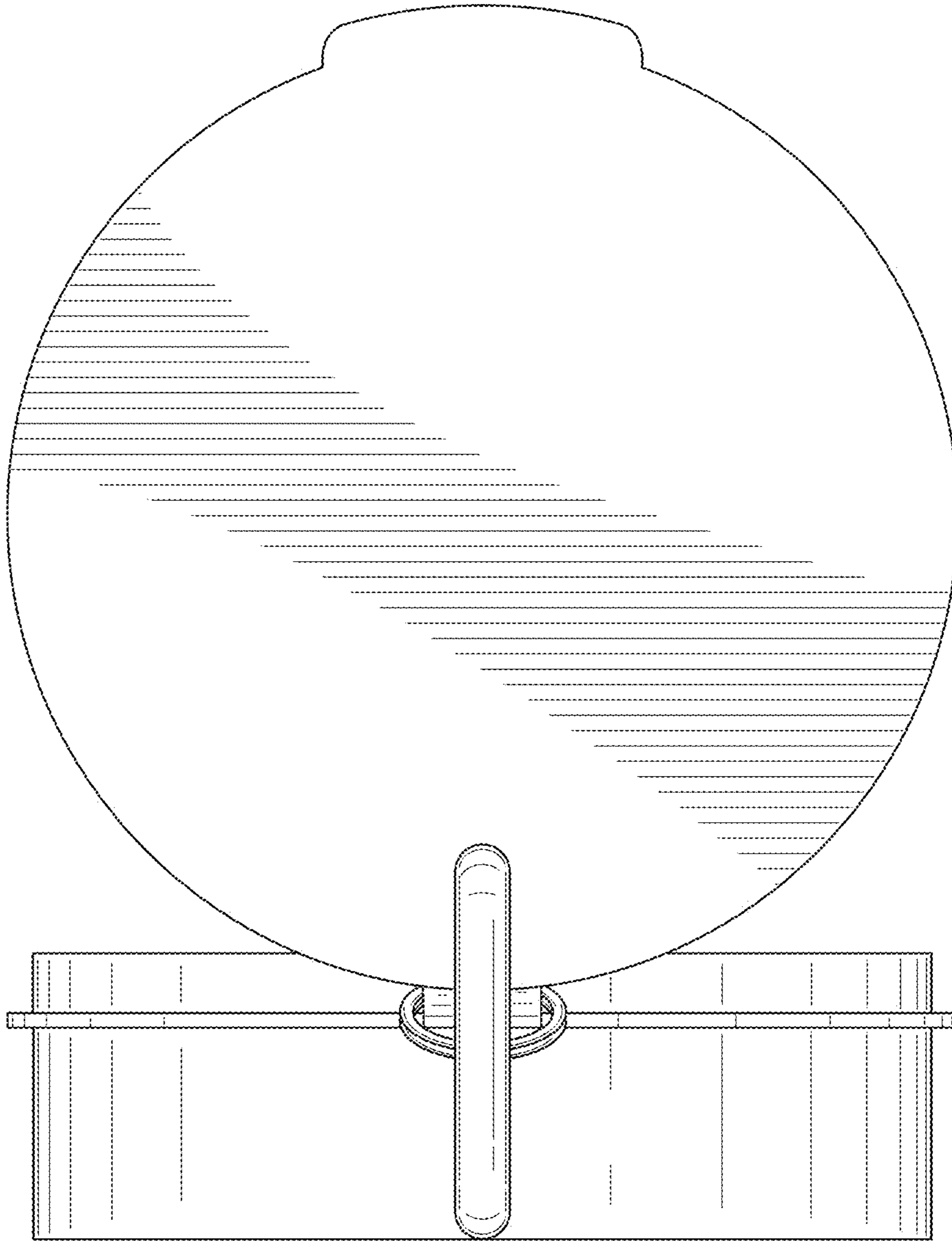


FIG. 14